




Codpad

CODPAD E-TECH

COMPANY PROFILE

Coding and Marking Industry | One-Stop Solution Provider

-  **LinkedIn**
[linkedin.com/company/inkjetmarkingmachine](https://www.linkedin.com/company/inkjetmarkingmachine)
-  **Facebook**
[facebook.com/docodgroup](https://www.facebook.com/docodgroup)
-  **Youtube**
<https://www.youtube.com/@docodgroup>

DOCOD Group & GUANGZHOU CODPAD E-TECH COMPANY LIMITED

Headquarters Address: Room 901, Floor 9, No. 349 Middle Longxi Road, Hailong Subdistrict, Liwan District, Guangzhou, China

TEL: +86 139 2896 7650

FAX: 86-20-81631633

Website: www.docod-group.com

Email: sales@docod.com.cn

Guangdong DOCOD Precision Technology Co., Ltd.

Address: D4-1, Yangchun Industrial Transfer Park, Chuncheng Street, Yangchun City, Guangdong Province

DOCOD New Materials Technology (Yangjiang) Co., Ltd.

Address: Room 205, 2nd Floor, Yangchun Incubator, No. 138, Nanxin Avenue, Chuncheng Street, Yangchun City

Corporate Beliefs

Respect for heaven and love for people. Altruistic management

Corporate Vision

Continuously cultivate hidden champions in subdivided fields

Corporate Mission

Pursue the physical, mental and material happiness of all employees
Provide products and services that make customers happy
Helping the great revitalization of Chinese national industry

Corporate Values

Employee first, teamwork, embracing change, happy strive, altruism, gratitude

CONTENTS

Company Introduction	01
Development	03
Honors	05
Continuous Inkjet Printers	07
Large Character Inkjet Printers	21
Thermal Inkjet Printers	35
Thermal Transfer Overprinters	51
Laser Marking Machines	57
Piezoelectric Inkjet Printer	69
Digital Intelligent Solutions	73
Applications	81
24H Service	87

Company Profile


23 years
of R&D experience


120+
export countries and regions


13000m²
R&D and industrial site

With deep expertise in inkjet marking and a focus on integrating IoT and AI innovations, we deliver cutting-edge identification solutions for industries worldwide.

GUANGZHOU CODPAD E-TECH COMPANY LIMITED, a member of the Guangzhou DOCOD Precision Technology Group, was founded in 2008. Its founder, Xie Ruzhou, entered the inkjet marking industry as early as 2003. The Group now employs 500 people and serves over 120 countries and regions.

Aiming to develop and produce world-class inkjet marking products, the Group continuously integrates advanced domestic and international technologies. By incorporating IoT and AI, it expands the functional applications of its products. In line with Industry 4.0, DOCOD continuously improves its technology innovation system in design and manufacturing.

The Group strictly complies with international and domestic standards, holding authoritative certifications for both its products and management systems to ensure quality, safety, and environmental responsibility.

CE

EU Compliance Certification

EAC

Eurasian Economic Union Certification

RoHS

EU Environmental Protection Directive

BIS

Indian Standards Certification

FDA

US Food and Drug Administration Certification

ISO 45001

Occupational Health and Safety Management System

ISO 9001

Quality Management System

ISO 14001

Environmental Management System

Development History

With 23 years of dedicated experience in the coding and marking industry, we remain focused, continuously innovate, and are committed to becoming hidden champions in subdivided fields.



Honors

Leveraging substantial intellectual property, multiple authoritative certifications, and recognition as a national-level "Little Giant" enterprise, the company continuously strengthens its technological capabilities and quality assurance, leading the industry forward.

20 Invention Patents



17 Utility Model Patents



23 Design Patents



46 Computer Software Copyrights



*The above is a partial display of qualifications.



Continuous Inkjet Printer

S Series,V Series,M Series

Strengths

Codpad continuous inkjet printer is a self-developed non-contact printing device with many years of technical and industry experience. It can print almost all substrates and has a wide range of applications, whether on flat or curved surfaces.

Application

Food, beverages, cables, daily chemicals, electronics, pharmaceuticals, automobiles, building materials, etc.

Applicable substrate

Almost all materials.



S200plus Series

Continuous Inkjet Printer

About Product

S200 plus series continuous small character inkjet printer is designed for high quality printing and improving production line effectively.

Its print head adopts Independent structure design, and the stainless steel chassis, which can maintain reliable operation in harsh production environment as well as improve the production line effectively.



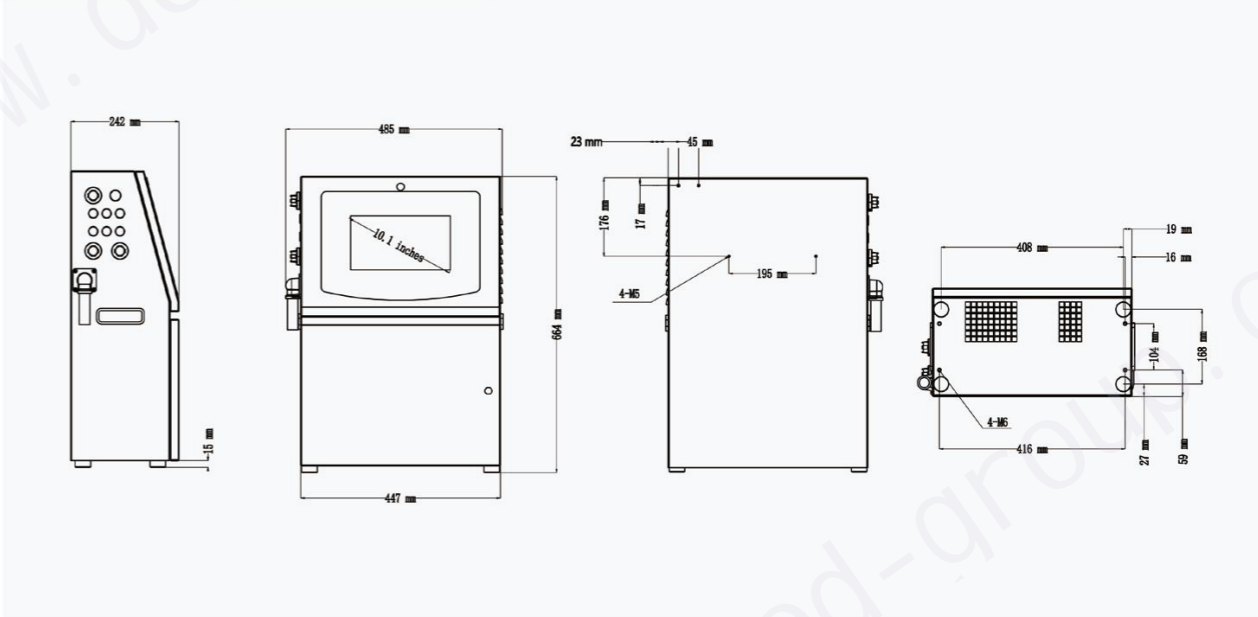
Printing Effect



Product Components

<p>Print Head</p> <p>The nozzle valve adopts direct Seal nozzle hole structure, effectively prevents the ink leakage.</p>	<p>Ink System</p> <p>Double-head pump design makes more stable and durable. White ink machine has double mixing system to prevent the pigment ink precipitation.</p>	<p>Main Hardware</p> <p>The main board with newest structure has superior performance of function and stability, and the EHT is dustproof and waterproof, better suited for with the harsh and complex environment.</p>	<p>External Interface</p> <p>IP68-rated interfaces support RS232, Ethernet, counter reset, and information control.</p>
--	---	--	--

Machine Specifications



Printing Parameters

Printhead duct	3m/6m
Nozzle specifications	50u/60u/75u micro-character:40u
Printing distance	2-16mm micro-character:1-15mm
Printing height	3-30mm micro-character:3-20mm
Printing lines	1-5lines
Max. printing speed	384m/min, micro-character:549m/min (5 dots in 1 line, 0.5 dot spacing)
Counter	24 independent counters
Ink Color	Black,red,blue,yellow,invisible,white,green
Ink type	High adhesion, migration resistance,high temperature resistance, special for glass, permeability, food grade,oil resistance
Font	5X6L 7X6L 7X10L 9X8L 9X11L 11X11L 16X16L 24X24L 32X32L 11X11B 16X16B 24X24B 32X32B
Printing materials	Carton, Plastic, Metal, Sheet Material, Pipe, Stone, Glass, Electronic compo-nents, Auto parts,Industrial chemical packaging, Medical/Food/Gift box
Print content	Text time,date(Julian year),logo,shift,SN, dynamic barcode/QR code,dynamic serial data,dynamic database (additional content can be added as required)

Machine Parameters

Operation system	Embedded Linux security operating system
Displayscreen	10.1-inch capacitive touch display;
Communication interface	USB,RS232, network port
Externalinterface	Photocell, encoder, alarm light,information control
Protection level	IP55
Power parameters	Input 100~240V AC
Material	SUS 304 stainless steel
Rated power	150W
Certificates	CE,BIS,EAC
Working environment	Temperature 0~45 C/Humidity 30~70%Rh
Net Weight	23KG
Specification	485mmx242mmx664mm (Length x width x height)
Main hardware	High-performance embedded processor
External interface	Optical sensor, encoder,light alarm, reverse and upside down control,serial number input/output and control, external printing information selection
Languages	Support more than 40 languages (Chinese, English, Arabic, Danish, German, Russian, French, Finnish, Korean, Japanese, Spanish, Italian,etc)

S300plus Series

Continuous Inkjet Printer

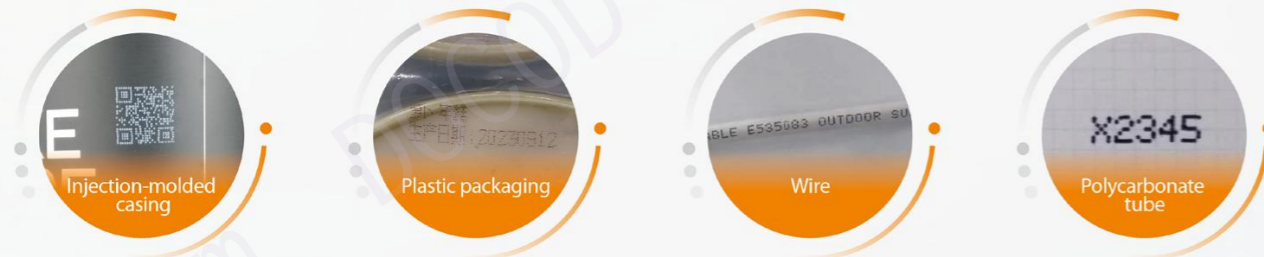
About Product

The S300 Plus Series delivers precise, high-speed coding for food, chemical, and pharmaceutical lines. Its exceptional stability and efficient ink system ensure reliable performance while reducing operational costs.

Constructed with a durable stainless steel body and IP65 protection, it withstands harsh industrial environments. The corrosion-resistant solenoid valve extends core component life, ensuring long-term productivity with minimal maintenance.



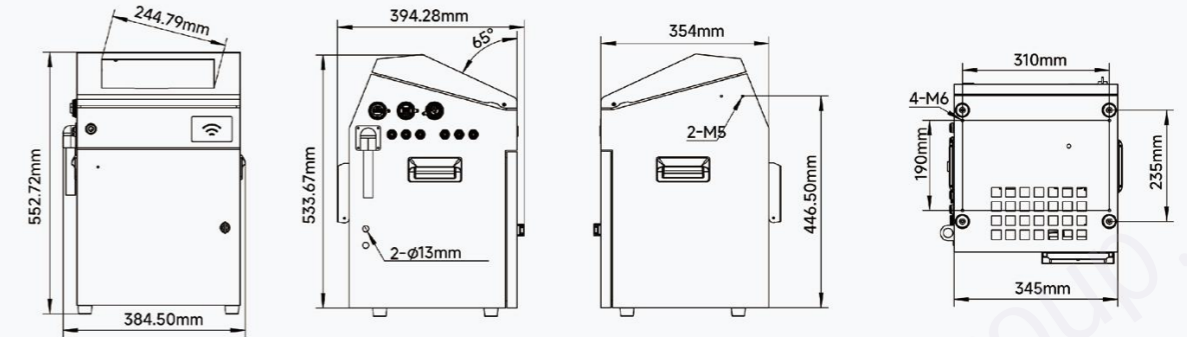
Printing Effect



Product Components

<p>Print Head</p> <p>The nozzle valve adopts direct sealing nozzle hole structure, effectively prevent the ink leakage.</p>	<p>Ink System</p> <p>The ink cartridge features a plug-in design for quick and sealed refilling. The main filter can also be replaced independently and rapidly.</p>	<p>Main Hardware</p> <p>The main board features a new design for enhanced performance and stability; the EHT is dustproof and waterproof, ensuring reliable operation in harsh environments.</p>	<p>External Interface</p> <p>The port adopts an IP68-rated design, supporting functions such as serial port, network port, one-key reset of counter, and information control.</p>

Machine Specifications



Printing Parameters

Printhead duct	3m/6m
Nozzle specifications	60u
Printing distance	2-16mm
Printing height	3-30mm
Printing lines	1-5 lines
Max. printing speed	384m/min (5 dots in 1 line, 0.5 dot spacing)
Counter	24 independent counters
Ink color	Black, red, blue, yellow, invisible
Ink type	High adhesion, migration resistance, high temperature resistance, special for glass, permeability, food grade, oil resistance
Font	5x6L 7x6L 7x10L 9x8L 9x11L 11x11L 16x16L 24x24L 32x32L 11x11B 16x16B 24x24B 32x32B
Printing materials	Carton, plastic, cable, metal, boarding, pipe, stone, glass, electronic components, auto parts, industrial chemical packaging, medical/food/gift box
Print content	Text time, date (Julian year), logo, shift, SN, dynamic barcode/QR code, dynamic serial data, dynamic database (additional content can be added as required)

Machine Parameters

Operation system	Embedded Linux security operating system
Display screen	10.1-inch color display industrial touch screen
Communication interface	USB, RS232, network port
External interface	Photocell, encoder, alarm light, information control
Protection level	IP65
Power parameters	Input 100~240V AC
Material	SUS 304 stainless steel
Rated power	150W
Certificates	CE, ROHS, BIS, EAC
Machine specifications	384.5mm x 394.28mm x 552.72mm (Length x width x height)
Working environment	Temperature 0~45°C / Humidity 30~70%Rh
Main hardware	High-performance embedded processor
External interface	Optical sensor, encoder, light alarm, reverse and upside down control, serial number input/output and control, external printing information selection
Languages	Support more than 40 languages (Chinese, English, Arabic, Danish, German, Russian, French, Finnish, Korean, Japanese, Spanish, Italian, etc)

S400plus Series

Continuous Inkjet Printer

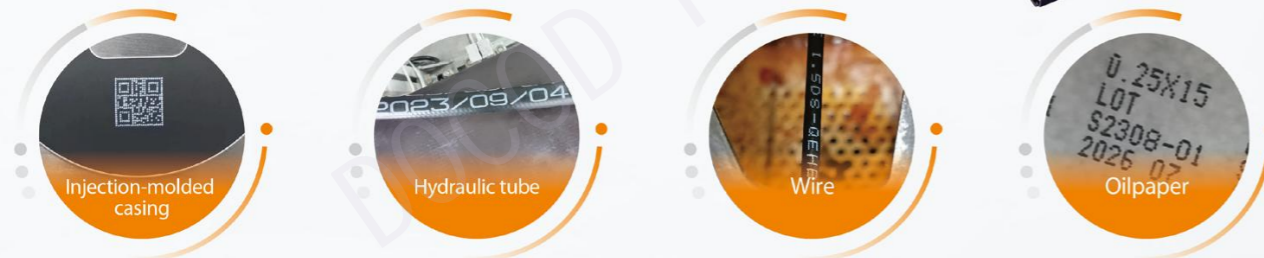
About Product

S400 plus series continuous small character inkjet printer is designed for high quality printing and im-proving production line effectively.

Its print head adopts Independent structure design, and the stainless steel chassis, which can maintain reliable operation in harsh production environment as well as improve the production line effectively.



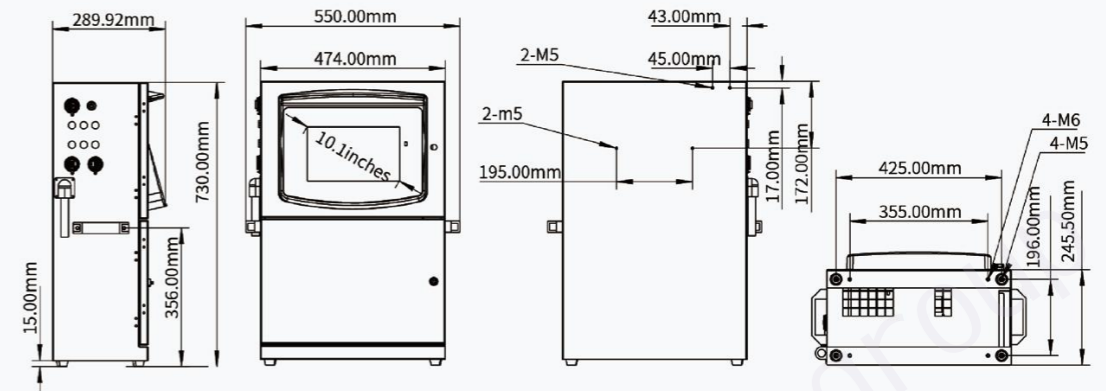
Printing Effect



Product Components

<p>Print Head</p> <p>The nozzle valve adopts direct sealing nozzle hole structure, effectively prevent the ink leakage.</p>	<p>Ink System</p> <p>Double-head pump design makes more stable and durable. White ink machine has double mixing system to prevent the pigment ink precipitation.</p>	<p>Main Hardware</p> <p>The main board with newest structure has superior performance of function and stability, and the EHT is dustproof and waterproof, better to deal with the harsh and complex environment.</p>	<p>External Interface</p> <p>IP68-rated interfaces support RS232, Ethernet, counter reset, and information control.</p>
--	---	---	--

Machine Specifications



Printing Parameters

Printhead duct	3m/6m
Nozzle specifications	50u/60u/75u micro-character:40u
Printing distance	2-16mm micro-character:1-15mm
Printing height	3-30mm micro-character:3-20mm
Printing lines	1-5lines
Max. printing speed	384m/min micro-character:549m/min (5 dots in 1 line, 0.5 dot spacing)
Counter	24 independent counters
Ink Color	Black,red,blue,invisible,white,green
Font	5X6L 7X6L 7X10L 9X8L 9X11L 11X11L 16X16L 24X24L 32X32L 11X11B 16X16B 24X24B 32X32B
Ink type	High adhesion, migration resistance,high temperature resistance, special for glass, permeability, food grade,oil resistance
Printing materials	Carton, Plastic, Metal, Sheet Material, Pipe, Stone, Glass, Electronic compo-nents, Auto parts,Industrial chemical packaging, Medical/Food/Gift box
Print content	Text time,date(Julian year),logo,shift,SN, dynamic barcode/QR code,dynamic serial data,dynamic database (additional content can be added as required)

Machine Parameters

Operation system	Embedded Linux security operating system
Displayscreen	10.1-inch color displayindustrial touch screen
Communication interface	USB,RS232, network port
Externalinterface	Photocell, encoder, alarm light,information control
Protection level	IP65
Power parameters	Input 100~240V AC
Material	304 stainless steel
Rated power	150W
Certificates	CE,ROHS,BIS,EAC
Working environment	Temperature 0~45 C./Humidity 30~70%Rh
Net Weight	30kg
Specification	550mmx289.92mmx730mm (Length x width x height)
Main hardware	High-performance embedded processor
External interface	Optical sensor, encoder,light alarm, reverse and upside down control,serial number input/out put and control, external printing information selection
Languages	Support more than 40 languages (Chinese, English, Arabic, Danish, German, Russian, French, Finnish, Korean, Japanese, Spanish, Italian,etc)

S1000 Series

Continuous Inkjet Printer

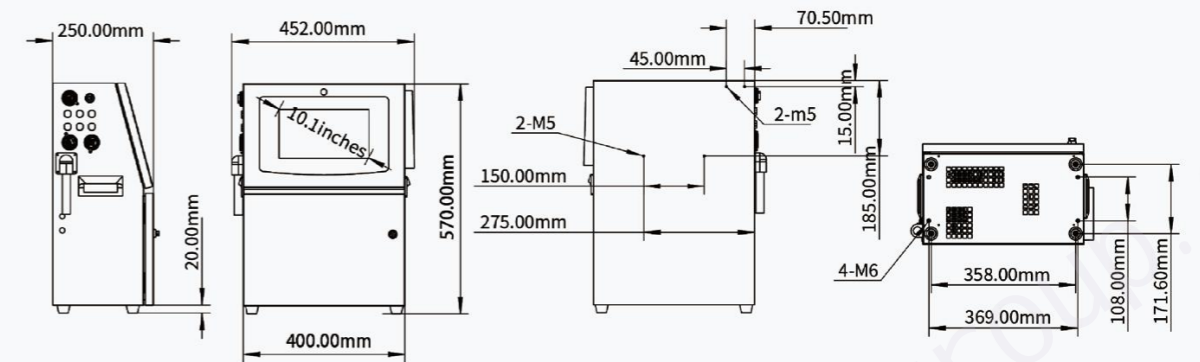
About Product

The S1000 series features a compact body design, with an IP55 protection rating, ensuring stable operation.

It offers customizable formatting, custom font library (with the ability to modify fonts), editing and creation of patterns, as well as various date formatting options. It also comes with rich external interfaces, including opticasensors, encoders, alarm lights, and other input/output IO ports.



Machine Specifications



Printing Effect



Product Components

<p>Print Head</p> <p>The nozzle valve adopts direct sealing nozzle hole structure, effectively prevent the ink leakage.</p>	<p>Ink System</p> <p>Single print head and recovery diaphragm pump design makes more stable and durable.</p>	<p>Main Hardware</p> <p>The main board with newest structure has superior performance of function and stability, and the EHT is dustproof and waterproof, better to deal with the harsh and complex environment.</p>	<p>External Interface</p> <p>With grade of IP68, the interface not only supports RS232, network port, but also the counter reset, information control and other functions.</p>
--	---	---	---

Printing Parameters

Printhead duct	3m/6m
Nozzle specifications	50u/60u/75u micro-character:40u
Printing distance	2-16mm micro-character:1-15mm
Printing height	3-30mm micro-character:3-20mm
Printing lines	1-5lines
Max. printing speed	384m/min, micro-character:549m/min (5 dots in 1 line, 0.5 dot spacing)
Counter	24 independent counters
Ink Color	Black,red,blue,yellow,invisible
Font	5X6L 7X6L 7X10L 9X8L 9X11L 11X11L 16X16L 24X24L 11X11B 16X16B 24X24B
Ink type	High adhesion, migration resistance,high temperature resistance, special for glass, permeability, food grade,oil resistance
Printing materials	Carton, Plastic, Metal, Sheet Material, Pipe, Stone, Glass, Electronic compo-nents, Auto parts,Industrial chemical packaging, Medical/Food/Gift box
Print content	Text time,date(Julian year),logo,shift,SN, dynamic barcode/QR code,dynamic serial data,dynamic database (additional content can be added as required)

Machine Parameters

Operation system	Embedded Linux security operating system
Displayscreen	10.1-inch color display industrial touch screen
Communication interface	USB,RS232, network port
Externalinterface	Photocell, encoder, alarm light,information control
Protection level	IP55
Power parameters	Input 100~240V AC
Material	304 stainless steel
Rated power	150W
Certificates	CE,ROHS,BIS,EAC
Working environment	Temperature 0~45 C /Humidity 30~70%Rh
Net Weight	21kg
Specification	452mmx250mmx570mm (Length x width x height)
Main hardware	High-performance embedded processor
External interface	Optical sensor, encoder,light alarm, reverse and upside down control,serial number input/output and control, external printing information selection
Languages	Support more than 40 languages (Chinese, English, Arabic, Danish, German, Russian, French, Finnish, Korean, Japanese, Spanish, Italian,etc)

V2000 Series

Continuous Inkjet Printer

About Product

The V2000 continuous inkjet printer features a modular design, making it ideal for high-efficiency micro-character printing. Widely used in industries like food, chemical, and pharmaceutical, it delivers excellent print quality and reliable, stable performance for long-term, high-volume production.



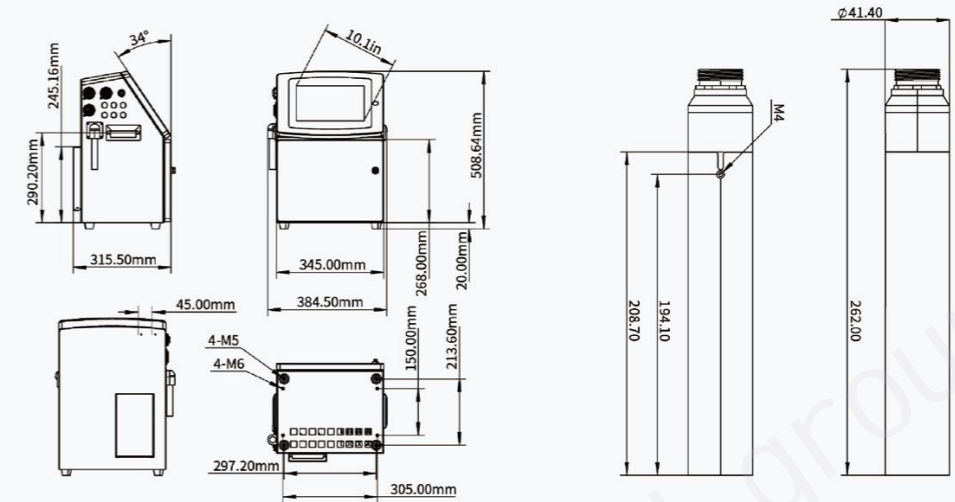
Printing Effect



Product Components

<p>Print Head</p> <p>Flip-cover aluminum alloy print head for easy maintenance. Imported nozzle gem ensures stable ink flow and superior print quality.</p>	<p>Ink System</p> <p>Gear pump design enhances stability and durability. Dual mixing system in white ink machines prevents pigment sedimentation.</p>	<p>Main Hardware</p> <p>Advanced dustproof/waterproof motherboard delivers high performance and stability in harsh environments.</p>	<p>External Interface</p> <p>IP68-rated interfaces support RS232, Ethernet, counter reset, and information control.</p>

Machine Specifications



Printing Parameters

Printhead duct	3m
Nozzle specifications	60u
Printing distance	3-30mm
Printing height	2-16mm
Printing lines	1-5 lines
Max. printing speed	334m/min (5 dots in 1 line, 0.5 dot spacing)
Counter	Up to 24 counters
Ink type	High adhesion, high temperature resistance, food grade, oil resistance, dye ink
Printing materials	Carton, plastic, cable, metal, boarding, pipe, stone, glass, electronic components, auto parts, industrial chemical packaging, medical/food/gift box
Print content	Text, time, date, logo, shift, SN, dynamic barcode, QR, dynamic serial data, dynamic database (additional content can be added as required) Barcode types: CODE11, C25INTER, CODE39, EX-CODE39, EAN13 EAN13x, CODE128, CODE16K, CODE49, CODE93, Flattermarken, UPCA, UPCE, EAN14, VIN, NVE18, ITF-14 QR code types: QR Code, DataMatrix, Micro QR Code, PDF417, PDF417TRUNC, MICRO-PDF417 (More types available on request)

Machine Parameters

Operation system	Embedded Linux security operating system
Display screen	10.1-inch capacitive touch display; resolution: 1280x800
External interface	Photocell, encoder, alarm light, information control
Protection level	IP65
Power parameters	Input 100~240V AC
Material	SUS 304 stainless steel
Rated power	100W
Certificates	CE, ROHS, BIS, EAC
Working environment	Temperature 0~45°C / Humidity 30~70%Rh
Net weight	18kg
Specification	Casing specification: 384.50mm*315.50mm*508.64mm Printhead specification: 41.40mm*262.00mm
Communication interface	USB, RS232, network port, connected to enterprise MES management system (various external device protocols can be added)
Languages	Support more than 40 languages (Chinese, English, Arabic, Danish, German, Russian, French, Finnish, Korean, Japanese, Spanish, Italian, etc)

M2000 Series

Continuous Inkjet Printer

About Product

10.1-inch color touch screen with intuitive interface. Ultra-integrated industrial-grade motherboard ensures fast, stable operation. IP65-rated stainless steel body with superior heat dissipation withstands harsh environments.

The prevents sedimentation. Easy-clean, clog-resistant nozzles and durable recovery pump ensure reliable continuous printing. With multiple interfaces and communication protocols support automated production.and multilingual support.



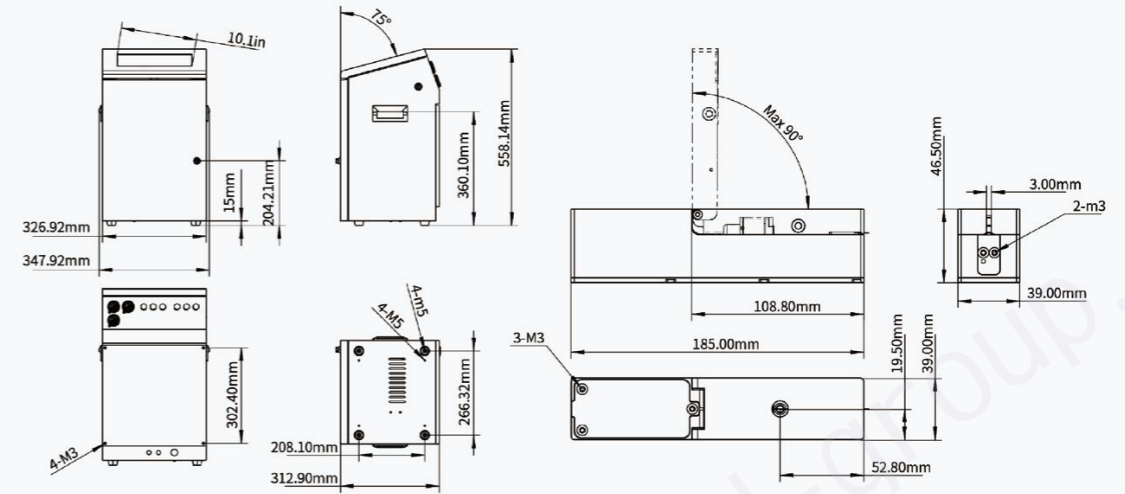
Printing Effect



Product Components

<p>Print Head</p> <p>Flip-up aluminum alloy print head for easy maintenance. Imported nozzle gem ensures stable ink flow and superior print quality.</p>	<p>Ink System</p> <p>Gear pump design enhances stability and durability. Dual mixing system in white ink machines prevents pigment sedimentation.</p>	<p>Main Hardware</p> <p>Advanced dustproof/waterproof motherboard delivers high performance and stability in harsh environments.</p>	<p>External Interface</p> <p>IP68-rated interfaces support RS232, Ethernet, counter reset, and information control.</p>

Machine Specifications



Printing Parameters	
Printhead duct	3m/6m
Nozzle specifications	42u/50u/55u/70u
Printing distance	2-16mm micro-character:08-10mm
Printing height	3-30mm
Printing lines	1-4lines
Max. printing speed	528m/min (5 dots in a single row, dot spacing 0.5mm)
Counter	Up to 24 counters
Ink Color	Black,Red,Blue,Green,Invisible Yellow, Blue-White
Ink type	High adhesion, High temperature resistance, Special for glass, Per-meability, Food grade, Oil resistance,pigment ink
Printing materials	Carton, Plastic, Metal, Sheet Material, Pipe, Stone, Glass, Electronic components, Auto parts,Industrial chemical packaging, Medical/Food/Gift box
Print content	Text, Time, Date, Logo, Shift, SN, Dynamic Barcode QR Code,Dynamic Serial Data, Dynamic Database

Machine Parameters	
Operation system	Embedded Linux security operating system
Display screen	10.1-inch capacitive touch display;
External interface	Photocell, encoder, alarm light,information control
Protection level	IP65
Power parameters	Input 100~240V AC
Material	SUS 304 stainless steel
Rated power	100W
Certificates	CE,ROHS,BIS,EAC
Working environment	Temperature 0~45 C/Humidity 30~70%Rh
Net Weight	19.9kg
Specification	Casing specification: 347.92mm*312.90mm*558.14mm Printhead specification: 185mm*39mm*46.5mm
Communication interface	USB, RS232, network port, connected to enterprise MES management system (various external device protocols can be added)
Languages	Support more than 40 languages (Chinese, English, Arabic, Danish, German, Russian, French, Finnish, Korean, Japanese, Spanish, Italian,etc)



Large Character Inkjet Printer

DF Series, D100 Series, D130 Series
D230 Series

Strengths

Codpad large character inkjet printers utilize Drop on Demand technology with a rugged design for industrial environments. They feature highly reliable solenoid valves, a durable internal pump, and high protection ratings to reliably operate in harsh conditions including dust, moisture, and vibration.

Application

Building materials, various types of packaging, paints, tires, etc.

Applicable substrate

Stone, wood, pipes, woven bags, cartons, cars, etc.



DF100 Series

DF Split-Type Large Character Inkjet Printer

About Product

DF split-type large character inkjet printer is built on highly reliable Drop-On-Demand solenoid valve technology. It delivers durable performance with independent modular design, adaptable to diverse industrial printing needs.

Engineered to operate reliably in harsh environments such as dusty, humid, and vibrating production lines, it features high-precision nozzles that ensure consistent performance with minimal maintenance.



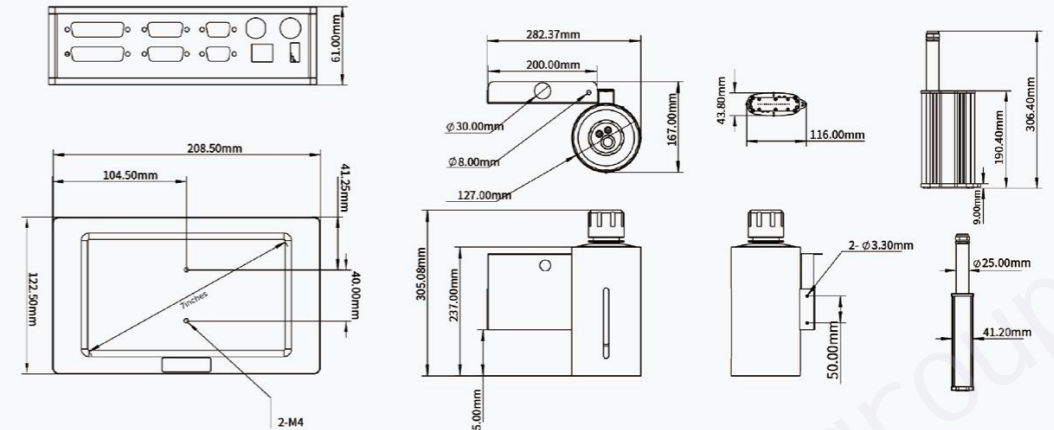
Printing Effect



Product Components

<p>Print Head</p> <p>The gemstone nozzle ensures wear-resistant and durable, rotates for height adjustment, and includes a built-in cleaning valve that prevents clogging.</p>	<p>Ink System</p> <p>DF100 adopts external gas source and large capacity 2 liters (customizable) structure design to achieve high cost performance.</p>	<p>Main Hardware</p> <p>Ultra-high integration of industrial-grade new motherboard architecture, stable function, fast operation, better cope with extremely harsh use environment.</p>	<p>External Interface</p> <p>Not only supports serial port (RS232), network port communication, but also can realize counting output, external information control and other functions.</p>
---	--	--	--

Machine Specifications



Printing Parameters

Printhead duct	3m/6m (customizable length for umbilical tube)
Nozzle specifications	80μ、120μ、150μ、180μ
Printing distance	3-30mm
Printing height	7 dots: 5-28mm 16 dots: 5-64mm
Printing lines	1-2 lines
Max. printing speed	168m/min (800 dots per second)
Counter	More than 20 independent counters
Ink color	Black, white, red, blue, green, yellow, invisible
Ink type	Ketone, water, alcohol, acetone, pigment
Font	5×6L 7×6L 7×10L 9×8L 9×11L 11×11L 12×12L 16×16L 11×11B 12×12B 16×16B
Printing material	Cartons, plastics, metals, plates, pipes, stones, glass, electronic components, auto parts, industrial chemical packaging, medical, food, gift boxes
Print content	Text, time, date, pattern, shift, serial number, dynamic barcode/QR code, dynamic serial port data, dynamic database (other content can be added according to demand)
Automatic cleaning	NO

Machine Parameters

Operation system	Embedded Linux security operating system
Communication interface	USB, RS232, network port
Displayscreen	7-inch color display, industrial touch screen
Protection level	IP65
Power parameters	Input 10--240v AC Output 24V DC, 2.75A \ (power adapter)
Complete machine installation	Host, ink circuit, nozzle independent module can be installed independently
Machine material	Aviation grade aluminum (host)/304 stain less steel (ink circuit/print head)
Machine specifications	Host: 208mm*122mm*61mm Ink circuit: 282mm*167mm*305mm Print head: 116mm*43mm*306mm
Working environment	Temperature 0-45°C / Humidity 30-70% Rh
Certificates	CE、ROHS、EAC
Main hardware	High-performance embedded processor
External interface	Photocell, encoder, alarm light, external serial number control and input and output, external information selection and information inversion
Languages	Support more than 40 languages (Chinese, English, Arabic, Danish, German, Russian, French, Finnish, Korean, Norwegian, Portuguese, Japanese, Spanish, Italian, etc.)

DF130 Series

DF Split-Type Large Character Inkjet Printer

About Product

DF split-type large character inkjet printer is built on highly reliable Drop-On-Demand solenoid valve technology. It delivers durable performance with independent modular design, adaptable to diverse industrial printing needs.

Engineered to operate reliably in harsh environments such as dusty, humid, and vibrating production lines, it features high-precision nozzles that ensure consistent performance with minimal maintenance.



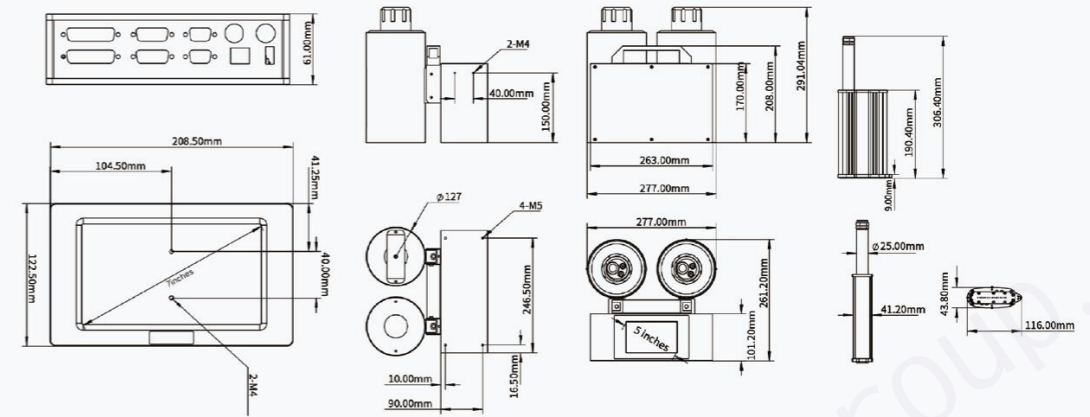
Printing Effect



Product Components

<p>Print Head</p> <p>The gemstone nozzle ensures wear-resistant and durable, rotates for height adjustment, and includes a built-in cleaning valve that prevents clogging.</p>	<p>Ink System</p> <p>Built-in air pump and large 2-liter ink tank (customizable) eliminate external air supply needs and reduce ink refills for efficient, hassle-free operation.</p>	<p>Main Hardware</p> <p>Ultra-high integration of industrial-grade new motherboard architecture, stable function, fast operation, better cope with extremely harsh use environment.</p>	<p>External Interface</p> <p>Not only supports serial port (RS232), network port communication, but also can realize counting output, external information control and other functions.</p>
---	--	--	--

Machine Specifications



Printing Parameters

Printhead duct	3m/6m (customizable length for umbilical tube)
Nozzle specifications	80μ、120μ、150μ、180μ
Printing distance	3-30mm
Printing height	7 dots: 5-28mm 16 dots: 5-64mm
Printing lines	1-2 lines
Max. printing speed	168m/min (800 dots per second)
Counter	More than 20 independent counters
Ink color	Black, white, red, blue, green, yellow, invisible
Ink type	Ketone, water, alcohol, acetone, pigment
Font	5×6L 7×6L 7×10L 9×8L 9×11L 11×11L 12×12L 16×16L 11×11B 12×12B 16×16B
Printing material	Cartons, plastics, metals, plates, pipes, stones, glass, electronic components, auto parts, industrial chemical packaging, medical food gift boxes
Print content	Text, time, date, pattern, shift, serial number, dynamic barcode/QR code, dynamic serial port data, dynamic database (other content can be added according to demand)
Automatic cleaning	YES

Machine Parameters

Operation system	Embedded Linux security operating system
Communication interface	USB, RS232, network port
Displayscreen	7-inch color display, industrial touch screen
Protection level	IP65
Power parameters	Input 10--240v AC Output 24V DC, 2.75A \ (power adapter)
Complete machine installation	Host, ink circuit, nozzle independent module can be installed independently
Machine material	Aviation grade aluminum (host)/304 stain less steel (ink circuit/print head)
Machine specifications	Host: 208mm*122mm*61mm Ink circuit: 277mm*261mm*291mm Print head: 116mm*43mm*306mm
Working environment	Temperature 0-45°C / Humidity 30-70% Rh
Certificates	CE、ROHS、EAC
Main hardware	High-performance embedded processor
External interface	Photocell, encoder, alarm light, external serial number control and input and output, external information selection and information inversion
Languages	Support more than 40 languages (Chinese, English, Arabic, Danish, German, Russian, French, Finnish, Korean, Norwegian, Portuguese, Japanese, Spanish, Italian, etc.)

D100 Series

DOD Large Character Inkjet Printer

About Product

The D100 series large character inkjet printer employs highly reliable Drop-On-Demand solenoid valve technology, delivering robust and durable performance for diverse industrial coding needs.

Engineered to operate reliably in harsh environments—including dust, moisture, and vibration—its high-precision construction ensures consistent performance with minimal maintenance.



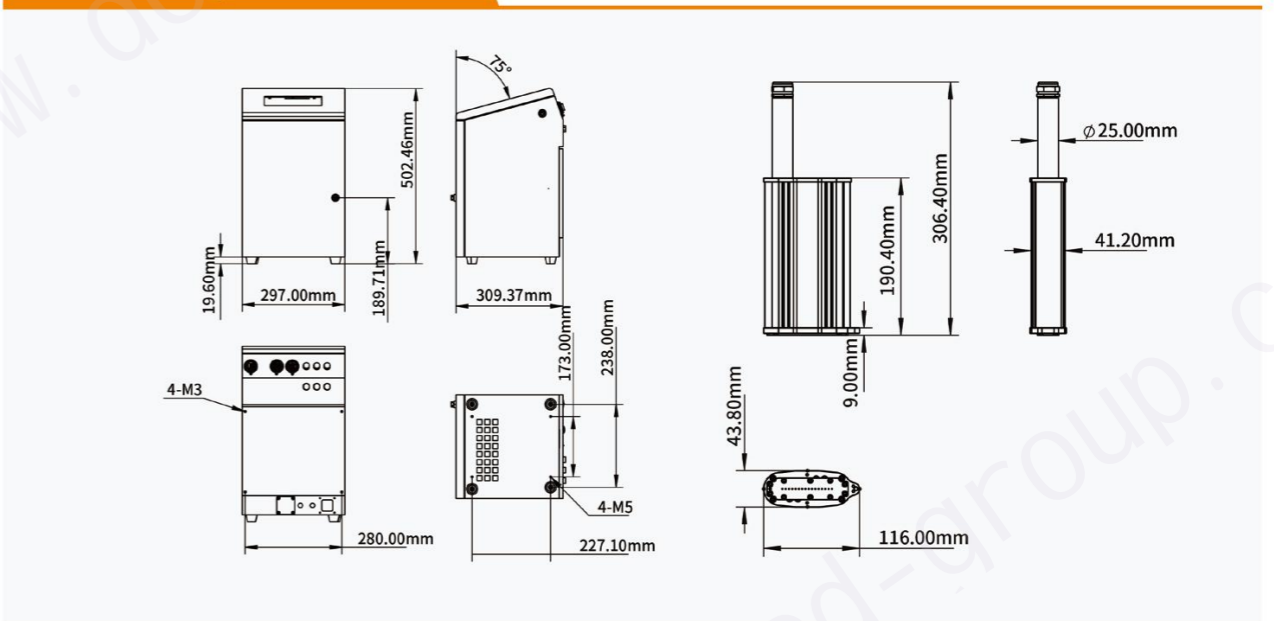
Printing Effect



Product Components

<p>Print Head</p> <p>The nozzle uses wear-resistant gem material for round ink dots and durability. Its rotatable print head enables printing of various characters and fonts.</p>	<p>Ink System</p> <p>With a stable, built-in pump that eliminates external air supply, and an automatic stirring system to prevent pigment settling in white ink models.</p>	<p>Main Hardware</p> <p>High integration of the industrial level of the new motherboard works fast and stable, which can be better to deal with the extremely harsh environment.</p>	<p>External Interface</p> <p>With grade of IP65, the interface not only supports RS232, network interface, but also the count output, information control and other functions.</p>
---	---	---	---

Machine Specifications



Printing Parameters

Printhead duct	3m/6m (customizable length for umbilical tube)
Printing lines	1-4 lines
Nozzle specifications	80μ、120μ、150μ
Printing height	7 dots: 5-28mm 16 dots: 5-64mm 32 dots: 5-128mm
Printing distance	3-30mm
Max. printing speed	63m/min
Counter	24 independent counters
Ink color	Black, white, red, blue, green, yellow, invisible
Ink type	Ketone-based, water-based, alcohol-based, acetone-based, pigment-based
Font	5×6L 7×6L 7×10L 9×8L 9×11L 11×11L 12×12L 16×16L 24×24L 32×32L 11×11B 12×12B 16×16B 24×24B 32×32B
Printing materials	Permeable and non-permeable surfaces such as cartons, plastics, metals, plates, pipes, stone, glass, electronic components, auto parts, industrial chemical packaging, paint comparisonsurfaces, etc.
Print content	Text, time, date, pattern, shift, serial number, dynamic barcode/QR code, dynamic serial port data, dynamic data base (other content can be added according to needs)

Machine Parameters

Operation system	Embedded Linux security operating system
Communication interface	USB, RS232, network port
Displayscreen	7-inch color display, industrial touch screen
Protection level	IP65
Power parameters	Input 100--240V AC
Material	304 stainless steel
Machine specifications	297mmX309.37mmX502.46mm (length*width*height)
Working environment	Temperature 0-45°C/Humidity 30-70% Rh
Certificates	CE, ROHS, EAC
Net weight	16kg
Main hardware	High-performance embedded processor
External interface	Optical sensor, encoder, alarm light, external serial number control and input and output, external information selection and information inversionkg

Languages Supports more than 40 languages (Chinese, English, Arabic, Danish, German, Russian, French, etc.)

D100 Series

DOD Large Character Dotted Inkjet Printer

About Product

The D100 series large character dot matrix printer utilizes reliable Drop-On-Demand ink-jet solenoid valve technology, delivering robust and durable performance to meet diverse industrial coding needs.

Capable of normal operation in harsh environments such as dusty, humid, or high-vibration conditions, its high-precision technology ensures reliable performance with minimal maintenance.



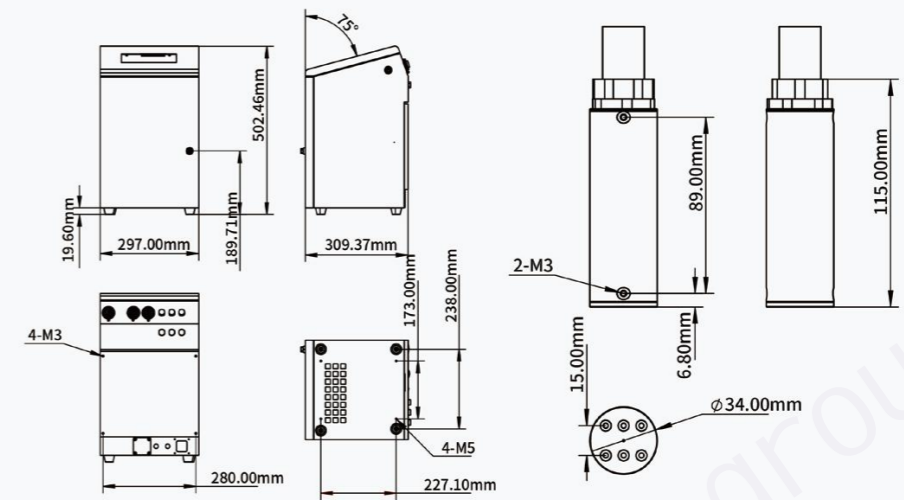
Printing Effect



Product Components

<p>Print Head</p> <p>The nozzle uses wear-resistant gem material for round ink dots and durability. Its rotatable print head enables printing of various characters and fonts.</p>	<p>Ink System</p> <p>With a stable, built-in pump that eliminates external air supply, and an automatic stirring system to prevent pigment settling in white ink models.</p>	<p>Main Hardware</p> <p>High integration of the industrial level of the new motherboard works fast and stable, which can be better to deal with the extremely harsh environment.</p>	<p>External Interface</p> <p>With grade of IP68, the interface not only supports RS232, network interface, but also the count output, information control and other functions.</p>
---	---	---	---

Machine Specifications



Printing Parameters

Printhead duct	3m/6m
Printing lines	1
Nozzle specifications	80μ、120μ、150μ
Printing height	2-5mm
Printing distance	1-60mm
Max. printing speed	300dots/s
Counter	24 independent counters
Ink color	Black, white, red, blue, green, yellow, invisible
Ink type	Ketone-based, water-based, alcohol-based, acetone-based, pigment-based
Print content	Dots, lines
Printing materials	Permeable and non-permeable surfaces such as cartons, plastics, metals, plates, pipes, stone, glass, electronic components, auto parts, industrial chemical packaging, paint comparison surfaces, etc.

Machine Parameters

Operation system	Embedded Linux security operating system
Communication interface	USB, RS232, network port
Displayscreen	7-inch color display, industrial touch screen
Protection level	IP65
Power parameters	Input 100--240V AC
Material	304 stainless steel
Machine specifications	297mmX309.37mmX502.46mm (length*width*height)
Working environment	Temperature 0-45°C/Humidity 30-70% Rh
Certificates	CE, ROHS, EAC
Net weight	16kg
Main hardware	High-performance embedded processor
External interface	Optical sensor, encoder, alarm light, external serial number control and input and output, external information selection and information inversionkg
Languages	Supports more than 40 languages (Chinese, English, Arabic, Danish, German, Russian, French, etc.)

D130 Series

DOD Large Character Inkjet Printer

About Product

The D130 series large character inkjet printer adopts reliable Drop-On- Demand ink-jet solenoid valve technology, providing durable performance for diverse industrial coding applications.

It operates reliably in harsh environments, including dusty, wet, and high-vibration conditions, with high-precision engineering ensuring consistent performance and minimal maintenance.



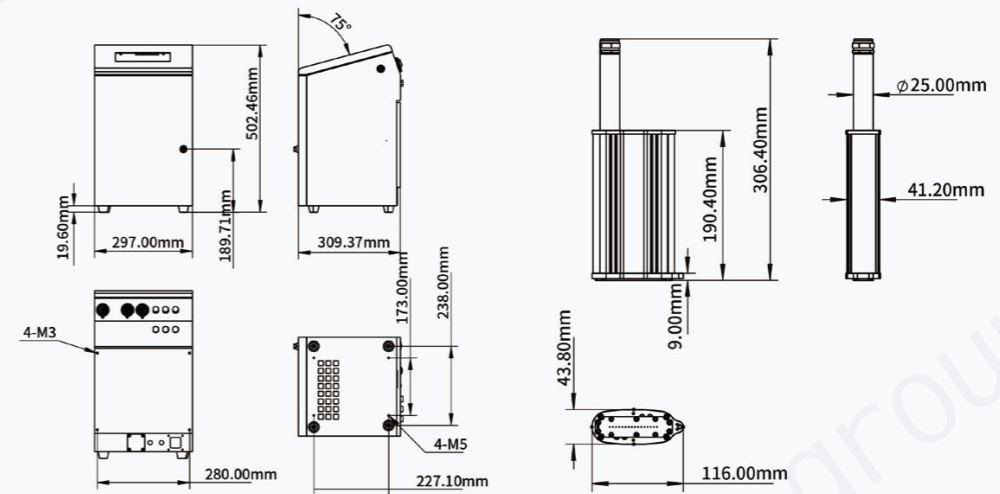
Printing Effect



Product Components

<p>Print Head</p> <p>The nozzle uses wear-resistant gem material for round ink dots and durability. Its rotatable print head enables printing of various characters and fonts.</p>	<p>Ink System</p> <p>With a stable, built-in pump that eliminates external air supply, and an automatic stirring system to prevent pigment settling in white ink models.</p>	<p>Main Hardware</p> <p>High integration of the industrial level of the new motherboard works fast and stable, which can be better to deal with the extremely harsh environment.</p>	<p>External Interface</p> <p>With grade of IP68, the interface not only supports RS232, network interface, but also the count output, information control and other functions.</p>
---	---	---	---

Machine Specifications



Printing Parameters

Printhead duct	3m/6m (customizable length for umbilical tube)
Printing lines	1-4 lines
Nozzle specifications	80μ/120μ/150μ/180μ
Printing height	7 dots: 5-28mm 16 dots: 5-64mm 32 dots: 5-128mm
Printing distance	3-30mm
Max. printing speed	63m/min
Counter	24 independent counters
Ink color	Black, white, red, blue, green, yellow, invisible
Ink type	Ketone-based, water-based, alcohol-based, acetone-based, pigment-based
Font	5×6L 7×6L 7×10L 9×8L 9×11L 11×11L 12×12L 16×16L 24×24L 32×32L 11×11B 12×12B 16×16B 24×24B 32×32B
Printing materials	Permeable and non-permeable surfaces such as cartons, plastics, metals, plates, pipes, stone, glass, electronic components, auto parts, industrial chemical packaging, paint comparisonsurfaces, etc.
Print content	Text, time, date, pattern, shift, serial number, dynamic barcode/QR code, dynamic serial port data, dynamic data base (other content can be added according to needs)

Machine Parameters

Operation system	Embedded Linux security operating system
Communication interface	USB, RS232, network port
Displayscreen	7-inch color display, industrial touch screen
Protection level	IP65
Power parameters	Input 100--240V AC
Material	304 stainless steel
Machine specifications	297mmX309.37mmX502.46mm (length*width*height)
Working environment	Temperature 0-45°C/Humidity 30-70% Rh
Certificates	CE, ROHS, EAC
Net weight	16kg
Main hardware	High-performance embedded processor
External interface	Optical sensor, encoder, alarm light, external serial number control and input and output, external information selection and information inversionkg
Languages	Supports more than 40 languages (Chinese, English, Arabic, Danish, German, Russian, French, etc.)

D230 Series

DOD Large Character Inkjet Printer

About Product

The D230 series large-character inkjet printer adopts highly reliable Drop-On-Demand solenoid valve technology, providing robust and durable performance for a wide range of industrial coding applications.

Engineered to perform consistently in harsh environments—including dusty, humid, and high-vibration conditions—it delivers high-precision results while requiring minimal maintenance.



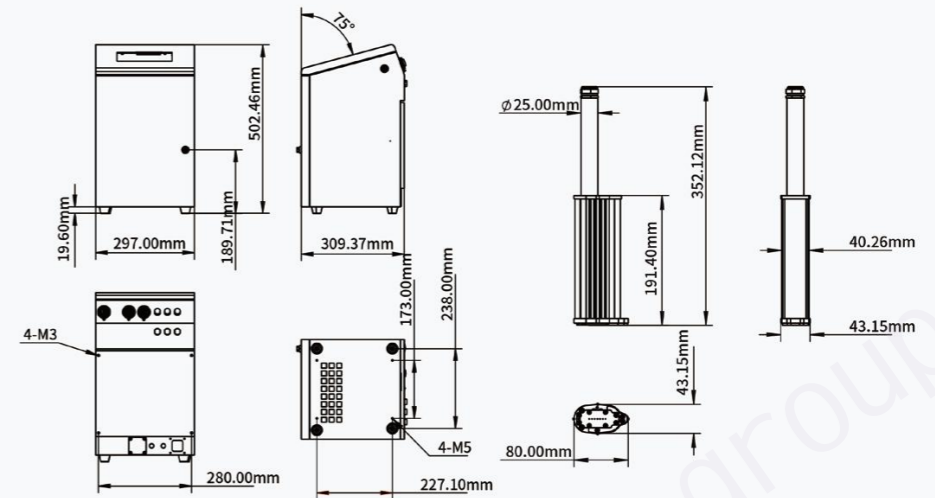
Printing Effect



Product Components

<p>Print Head</p> <p>The nozzle uses wear-resistant gem material for round ink dots and durability. Its rotatable print head enables printing of various characters and fonts.</p>	<p>Ink System</p> <p>With a stable, built-in pump that eliminates external air supply, and an automatic stirring system to prevent pigment settling in white ink models.</p>	<p>Main Hardware</p> <p>High integration of the industrial level of the new motherboard works fast and stable, which can be better to deal with the extremely harsh environment.</p>	<p>External Interface</p> <p>With grade of IP68, the interface not only supports RS232, network interface, but also the count output, information control and other functions.</p>
---	---	---	---

Machine Specifications



Printing Parameters

Printhead duct	3m/6m (customizable length for umbilical tube)
Printing lines	1-4 lines
Nozzle specifications	80μ/120μ/150μ/180μ
Printing height	7 dots: 5-28mm 16 dots: 5-64mm 32 dots: 5-128mm
Printing distance	3-30mm
Max. printing speed	63m/min
Counter	24 independent counters
Ink color	Black, white, red, blue, green, yellow, invisible
Ink type	Ketone-based, water-based, alcohol-based, acetone-based, pigment-based
Font	5×6L 7×6L 7×10L
Printing materials	Permeable and non-permeable surfaces such as cartons, plastics, metals, plates, pipes, stone, glass, electronic components, auto parts, industrial chemical packaging, paint comparison surfaces, etc.
Print content	Text, time, date, pattern, shift, serial number, dynamic barcode/QR code, dynamic serial port data, dynamic data base (other content can be added according to needs)

Machine Parameters

Operation system	Embedded Linux security operating system
Communication interface	USB, RS232, network port
Displayscreen	7-inch color display, industrial touch screen
Protection level	IP65
Power parameters	Input 100--240V AC
Material	304 stainless steel
Machine specifications	297mmX309.37mmX502.46mm (length*width*height)
Working environment	Temperature 0-45°C/Humidity 30-70% Rh
Certificates	CE, ROHS, EAC
Net weight	16kg
Main hardware	High-performance embedded processor
External interface	Optical sensor, encoder, alarm light, external serial number control and input and output, external information selection and information inversionkg
Languages	Supports more than 40 languages (Chinese, English, Arabic, Danish, German, Russian, French, etc.)



Thermal Inkjet Printer

T1 Series, T2 Series, T4 Series, T6 Series
TX Series, Handheld Printers

Strengths

Codpad thermal inkjet printers, available in online and handheld models, feature high resolution, adjustable precision, and easy operation. Built with TIJ2.0 print-heads, industrial-grade processors, and FPGA chips, they ensure consistently stable print quality. Select models support advanced traceability, anti-counterfeiting, and dynamic database systems.

Application

Food, pharmaceuticals, electronics, box packaging inkjet printing in various industries, etc.

Applicable substrate

Permeable materials such as cartons, paperboard, flexible packaging, wood boards, etc.



T1 Series

Single-Head Online Printer Series

- **Precision Single-Head Configuration:** Half-inch/One-inch printhead optional.
- **Modular Configuration System:** E-Series economical model / T1000 high-end model, choose as needed.
- **Intelligent Consumables Management:** Real-time digital tracking of printing costs.
- **Industrial-Grade Computing Core:** FPGA chip + multi-thread processor, supports complex coding like GS1 Datamatrix codes, dynamic traceability codes.
- **Extremely Fast Response:** Up to 406 m/min high-speed printing, seamless integration with high-speed production lines.

The T1 Series thermal inkjet online printer features a compact design suitable for narrow spaces. It is the preferred choice for primary packaging coding in the food/daily chemical industries, meeting both basic industrial marking and high-end traceability requirements.



T1 Series

Model	T110E-M Half-inch Single Head (Built-in)	T180E Half-inch Single Head	T190E One-inch Single Head	T1000 Half-inch Single Head
Print Resolution	Up to 300×300 DPI	Up to 300×300 DPI	Up to 300×300 DPI	Up to 600×600 DPI
Print Height	1-12.7mm	1-12.7mm	1-25.4mm	1-12.7mm
Print Speed	Up to 406 m/min	Up to 406 m/min	Up to 203 m/min	Up to 406 m/min
Power Parameters	Power adapter 12V 3A DC output	Power adapter 30V 1.5A DC output	Power adapter 30V 1.5A DC output	Power adapter 30V 3A DC output
Dimensions	138×87×60mm	Controller: 136×87×36mm Printhead: 114×82.8×27.3mm	Controller: 136×87×36mm Printhead: 114×82.8×27.3mm	Controller: 195×111×37mm Printhead: 127×83×28mm
External I/O	Photoelectric Sensor, Encoder, Inversion Control			Photoelectric Sensor, Encoder, Alarm Output, Inversion Control, Printhead Connection Port
Supported Languages	Supports 40+ country/region languages (Chinese/English/Arabic/Russian/French/Vietnamese/Korean, etc.)			

Model	T110E-M Half-inch Single Head (Built-in)	T180E Half-inch Single Head	T190E One-inch Single Head	T1000 Half-inch Single Head
Communication	USB, RS232			USB, RS232, TCP/IP Network Interface
Power Parameters	Multi-language characters, GS1 codes, dynamic traceability QR codes, barcodes, graphics, serial numbers, date, shift, counter, variable database, etc.			Multi-language characters, GS1 codes, dynamic traceability QR codes, barcodes, graphics, serial numbers, date, shift, counter, variable database, network/serial port real-time dynamic data printing
Main Hardware	Cortex-A7 1.2GHz Dual-core Processor, FPGA Algorithm Acceleration Chipset			High-performance embedded processor
Operating Environment	Temperature 0-45°C / Humidity 30-70%Rh			
Print Substrates	Carton, Plastic, Metal, Sheet Metal, Pipes, Stone, Cables, Electronic Components, Auto Parts, Industrial Chemical Packaging, Pharmaceutical/Food/Gift Packaging Boxes			
Ink Colors	Black, White, Red, Yellow, Blue, Green, Invisible, UV			
Operating System	Embedded Linux OS			
Supported Languages	Supports 40+ country/region languages (Chinese/English/Arabic/Russian/French/Vietnamese/Korean, etc.)			

T2 Series

Dual-Head Online Printer Series

- **Dual-head online printer:** Supports half-inch/one-inch dual printheads, also supports single printhead use, maximum print width 25.4mm (half-inch)/50.4mm (one-inch)
- **High-precision printing:** 600×600 DPI resolution
- **Industrial-grade communication matrix:** Supports USB, RS232, TCP/IP network interfaces and other protocols, deeply integrated with MES/ERP
- **Real-time printing cost calculation**
- **Anti-counterfeiting and traceability data printing:** Ensures complete coding, supports traceability systems, anti-counterfeiting systems, and food and drug administration code dynamic databases
- **AI visual coding system:** The T2000V is a vision coding all-in-one machine with built-in deep learning capabilities. It enables presence/absence detection, defect detection, and position detection, helping you easily reduce costs and increase efficiency.

The T2 series of thermal inkjet online printers offers diverse configuration options and featured products, including vision coding all-in-one machines and high-protection models, to meet the needs of more application scenarios. Fully industrial-grade hardware ensures reliable application in various complex working environments. A 7-inch industrial-grade display screen makes operation simple.



Printing Effect



T2 Series				
Model	T210E Half-inch Dual Head	T290E One-inch Dual Head	T260E Half-inch Dual Head	T270E One-inch Dual Head
Print Resolution	Up to 600×600 DPI	Up to 300×300 DPI	Up to 300×300 DPI	Up to 300×300 DPI
Print Height	1-25.4mm	1-50.8mm	1-25.4mm	1-50.8mm
Print Speed	Up to 406 m/min	Up to 203 m/min	Up to 60 m/min	
Dimensions	Controller: 209×122.5×61mm Printhead: 114×108×54.3mm		Controller: 206×118×32.6mm Printhead: 127.5×54.5×72mm	
Print Content	Multi-language characters, GS1 codes, dynamic traceability QR codes, barcodes, graphics, serial numbers, date, shift, counter, variable database, etc.			
External I/O	Photoelectric Sensor, Encoder, Alarm Output, Serial Number Output, External Serial No. Update, External Print Info Selection, Inversion Control, Printhead Port			Photoelectric Sensor, Encoder, Alarm Light
Communication	USB, RS232, TCP/IP Network Interface			
Main Hardware	Cortex-A7 1.2GHz Dual-core Processor, FPGA Algorithm Acceleration Chipset			
Operating Environment	Temperature 0-45°C / Humidity 30-70%Rh			
Print Substrates	Carton, Plastic, Metal, Sheet Metal, Pipes, Stone, Cables, Electronic Components, Auto Parts, Industrial Chemical Packaging, Pharmaceutical/Food/Gift Packaging Boxes			
Ink Colors	Black, White, Red, Yellow, Blue, Green, Invisible, UV			
Operating System	Embedded Linux OS			
Supported Languages	Supports 40+ country/region languages (Chinese/English/Arabic/Russian/French/Vietnamese/Korean, etc.)			

T2 Series				
Model	T220E Half-inch Dual Head	T230E One-inch Dual Head	T280 Pro Half-inch High Protection	T2000 Half-inch Dual Head
Print Resolution	Up to 600×600 DPI	Up to 300×300 DPI	Up to 600×600 DPI	Up to 600×600 DPI
Print Height	1-25.4mm	1-50.8mm	1-25.4mm	1-25.4mm
Print Speed	Up to 406 m/min	Up to 203 m/min	Up to 406 m/min	Up to 406 m/min
Dimensions	Controller: 192×113×37.6mm Printhead: 177.5×91.7×54.6mm		Controller: 325×190×393.3mm Printhead (Single): 174.2×94.3×108.7mm Printhead (Dual): 183.0×121.6×119.6mm	Controller: 253×155×37mm Printhead: 127×83×27mm
Print Content	Multi-language characters, GS1 codes, dynamic traceability QR codes, barcodes, graphics, serial numbers, date, shift, counter, variable database, etc.			Multi-language characters, GS1 codes, dynamic traceability QR codes, barcodes, graphics, serial numbers, date, shift, counter, variable database, network/serial port real-time dynamic data printing
Machine Material	Industrial Standard Protection Body (Aviation-grade Aluminum, Industrial Stainless Steel)		316 Industrial Stainless Steel, IP65 Rating, Fully Sealed	Industrial Standard Protection Body (Aviation-grade Aluminum, Industrial Stainless Steel)
External I/O	Photoelectric Sensor, Encoder, Alarm Output, Inversion Control, Printhead Port		Photoelectric Sensor, Encoder, Alarm Output, Serial Number Output, External Serial No. Output, External Serial No. Reset, External Print Info Selection, Inversion Control, Printhead Port	Photoelectric Sensor, Encoder, Alarm Output, Serial Number Output, External Serial No. Update, External Print Info Selection, Inversion Control, Printhead Port
Main Hardware	Cortex-A7 1.2GHz Dual-core Processor, FPGA Algorithm Acceleration Chipset		High-performance embedded processor	
Communication	USB, RS232, TCP/IP Network Interface			
Operating Environment	Temperature 0-45°C / Humidity 30-70%Rh			
Print Substrates	Carton, Plastic, Metal, Sheet Metal, Pipes, Stone, Cables, Electronic Components, Auto Parts, Industrial Chemical Packaging, Pharmaceutical/Food/Gift Packaging Boxes			
Ink Colors	Black, White, Red, Yellow, Blue, Green, Invisible, UV			
Operating System	Embedded Linux OS			
Supported Languages	Supports 40+ country/region languages (Chinese/English/Arabic/Russian/French/Vietnamese/Korean, etc.)			

T2000V

Visual Inkjet Printer All-in-One Machine



- **Efficient Automation:** Integrates advanced machine vision and coding technology, automating the entire process from product recognition, positioning to coding, significantly reducing manual operation and quickly responding to production line changes.
- **Innovative Technology Fusion:** Perfectly integrates machine vision and coding technology.
- **Flexible Integration & Expansion:** Supports multi-variety, small-batch production, easily integrates with existing production lines, allows for future functional upgrades.
- **Quality Traceability & Anti-counterfeiting:** Supports self-developed PD Matrix anti-channeling system, traceability system, anti-counterfeiting system, real-time high-speed printing of dynamic databases for food/drug supervision codes.
- **Significant Cost Reduction & Efficiency Improvement:** Automation and high-precision coding reduce labor and material costs.

Recognition Categories

- **Recognition & Detection:** Recognizes products based on shape, color, size, text, barcodes or QR codes.
- **Presence/Absence Detection:** Stably detects the presence or absence of products, processing, etc., through precise image processing.



Detailed Parameters

Print Parameters	Print Resolution	150 dpi low resolution and 600 dpi high resolution optional, adjustable print grayscale 1-6 levels
	Print Height	1mm - 25.4mm (optimal quality distance between printhead and surface 1-2mm)
	Print Content	Multi-language characters/dynamic traceability QR codes/barcodes/graphics/serial numbers/-date/counter/variable database/network/serial port real-time dynamic data printing...
	Ink Colors	Black, White, Red, Yellow, Blue, Green, Invisible, UV
Vision Parameters	Recognition Speed	Production line speed up to 80 m/min. Taking "date and 4-digit serial number" as an example, recognition speed is 10 pieces per second.
	Camera	Supports dual cameras, lighting

Machine Parameters	Operating System	Embedded Linux OS
	Main Hardware	FPGA Algorithm Acceleration Chipset, 3 NPU cores, 6 TOPs computing power, RK3588 Industrial-grade High-performance CPU
	HDD & RAM	8GB
	Communication	USB, RS232, Ethernet, WiFi, 4G
	External I/O	Photoelectric Sensor, Encoder, Alarm Light, Camera interface
	Power Parameters	Power adapter 100-240V AC input, 30V 3A DC output
	Screen	1280×800 Capacitive Touch Screen, 10.5-inch Industrial-grade Touch Screen
	Dimensions	Controller: 314*193.5*387.3mm, Printhead (Single): 113.6*83.1*27.3mm
	Operating Environment	Temperature 0-45°C / Humidity 30-70%Rh

T4 Series T6 Series

Multi-Head Online Printer Series

- **Ultra-Wide Printing:** Multi-head seamless splicing achieves 152.4mm print width.
- **Multi-Mode Installation:** Separate printheads support top/bottom/side multi-angle operation, one machine completes multi-station tasks.
- **Industry-Customized Design:** T6 Series comes with egg collision guard, a professional solution for egg coding.
- **Human-Machine Interface Innovation:** 10-inch industrial touch screen, icon-based interface suitable for all age groups.

The T4 and T6 Series thermal inkjet online printers are suitable for applications requiring large-format seamless splicing or simultaneous operation of multiple separate printheads. In independent mode, printheads support top, bottom, and side printing simultaneously, completing all printing tasks at once; splicing quality is high, achieving truly seamless and traceless results.



T4 Series / T6 Series

Model	T400E Half-inch Four Head	T600 Half-inch Six Head	T690 One-inch Six Head
Print Resolution	Up to 300×300 DPI	Up to 300×300 DPI	Up to 300×300 DPI
Number of Printheads	1/2/3/4	1/2/3/4/5/6	1/2/3/4/5/6
Print Height	1-50.8mm	1-76.2mm	1-152.4mm
Print Speed	Up to 203 m/min	Up to 203 m/min	Up to 120 m/min
Main Hardware	Cortex-A7 1.2GHz Dual-core Processor, FPGA Algorithm Acceleration Chipset	High-performance embedded processor	
External I/O	Photoelectric Sensor, Encoder, Alarm Output, Printhead Port, Inversion Control	Photoelectric Sensor, Encoder, Alarm Output, Serial Number Output, External Serial No. Reset, External Serial No. Update, External Print Info Selection, Inversion Control, Printhead Port	

Specification	Controller: 247.5×147.8×34.85mm Printhead: 177.5×109×105mm	Controller: 247.5×147.8×34.85mm Printhead: 163.5×146×114mm	Controller: 247×165.4×88mm Printhead: 168×113×163mm
Operating Environment	Temperature 0-45°C / Humidity 30-70%Rh		
Print Content	Multi-language characters, GS1 codes, dynamic traceability QR codes, barcodes, graphics, serial numbers, date, shift, counter, variable database, etc.		
Print Substrates	Carton, Plastic, Metal, Sheet Metal, Pipes, Stone, Cables, Electronic Components, Auto Parts, Industrial Chemical Packaging, Pharmaceutical/Food/Gift Packaging Boxes		
Ink Colors	Black, White, Red, Yellow, Blue, Green, Invisible, UV		
Operating System	Embedded Linux OS		
Communication	USB, RS232, TCP/IP Network Interface		
Supported Languages	Supports 40+ country/region languages (Chinese/English/Arabic/Russian/French/Vietnamese/Korean, etc.)		

TX Series

Screenless Printer Series

- **Decentralized Architecture:** No dedicated controller needed, directly connects to PC/upper computer for full-featured control.
 - **Ultra-Wide Splicing Technology:** 1-8 printheads optional, maximum print height >20cm after splicing, suitable for large-format packaging.
 - **Multi-Mode Operation System:** Printheads install independently or combined, support synchronized multi-station printing.
- Cloud Intelligent Control Capability: PC remote editing + offline printing.

The Screenless Series thermal inkjet online printer breaks free from the controller screen. Independent "printheads" perform online coding and printing, offering greater portability, less space requirement, higher freedom, and better cost-effectiveness. Diverse printing modes, 1-8 printheads available for selection.



8 printheads seamless splicing printing



Screenless Printer Series

Model	TX1 Half-inch	TX2 One-inch
Print Resolution	Up to 300×300 DPI	Up to 300×300 DPI
Number of Printheads	1/2/3/4/5/6/7/8	1/2/3/4/5/6/7/8
Print Height	1-101.6mm	1-203.2mm
Print Speed	Up to 406 m/min	Up to 203 m/min
Dimensions	Single Head: 135×87×27mm	Single Head: 135×87×27mm
Main Hardware	Cortex-A7 1.2GHz Dual-core Processor, FPGA Algorithm Acceleration Chipset	
External I/O	Photoelectric Sensor, Encoder, Inversion Control	
Power Parameters	Power adapter 100-240V AC input, 30V 1.5A DC output	
Operating Environment	Temperature 0-45°C / Humidity 30-70%Rh	

Print Content	Multi-language characters, GS1 codes, dynamic traceability QR codes, barcodes, graphics, serial numbers, date, shift, counter, variable database, etc.
Print Substrates	Carton, Plastic, Metal, Sheet Metal, Pipes, Stone, Cables, Electronic Components, Auto Parts, Industrial Chemical Packaging, Pharmaceutical/Food/Gift Packaging Boxes
Ink Colors	Black, White, Red, Yellow, Blue, Green, Invisible, UV
Operating System	Embedded Linux OS
Communication	USB, RS232, TCP/IP Network Interface
Supported Languages	Supports 40+ country/region languages (Chinese/English/Arabic/Russian/French/Vietnamese/Korean, etc.)

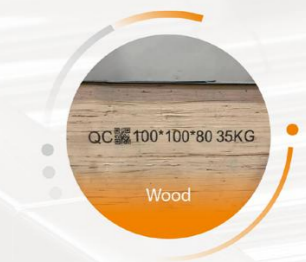
Handheld Series

Thermal Inkjet Printer

Thermal inkjet handheld printer. Some models are "handheld and online" dual-use machines. They adopt high-performance industrial-grade processors, are equipped with various commonly used hardware interfaces, and maintain high standards in printing accuracy, achieving up to 300×300 DPI printing effect. Some models support WiFi connection to mobile APP for wireless control. Products are available in charging and battery-powered versions.



Handheld and online dual-use



Thermal Inkjet Handheld Printer

Model	G50	G60	G100E	G300E	T110E-H	T130E-H
Printhead Resolution	300*300 DPI					
Print Height	1-12.7mm	1-25.4mm	1-12.7mm	1-25.4mm	1-12.7mm	1-25.4mm
Print Speed	Up to 120 m/min	Up to 60 m/min	Up to 406 m/min	Up to 203 m/min	Up to 406 m/min	Up to 203 m/min
Print Content	Text, Time, Date, Pattern, Database, Serial No., Dynamic Barcode, QR Code		Multi-language characters, Datamatrix, GS1, dynamic traceability QR codes, barcodes, graphics, serial numbers, date, shift, counter, variable database, etc.			
Operating System	Embedded FreeRTOS Real-time OS		Embedded Linux OS			
Display Screen	4.3-inch Color Display, Industrial Touch Screen		5-inch Color Display, Industrial Touch Screen			
Main Hardware	NXP RT1052 Industrial-grade MCU		Cortex-A7 1.2GHz Dual-core Processor, FPGA Algorithm Acceleration Chipset			
Communication	TYPE-C Charging Port, USB		USB, RS232			
External I/O	WiFi Module (Mobile APP Wireless Control)		External Photoelectric Sensor, External Encoder, Inversion Control			

Model	G50	G60	G100E	G300E	T110E-H	T130E-H
Interface Language	Chinese/English (Supports multi-language customization)		Supports 40+ languages (Chinese, English, Arabic, Danish, German, Russian, French, Finnish, Korean, Norwegian, Portuguese, Japanese, Spanish, Italian, etc.)			
Power Parameters	Input 100-240V AC; Output 5V DC, 2A		Power adapter 100-240V AC input, 12.6V 3A DC output			
Battery Parameters	7.2V/2600mAh Lithium Battery Pack (Built-in)		12.6V / 3350mAh Lithium Battery Pack (Removable)		12.6V / 3350mAh Lithium Battery Pack (Removable)	
Dimensions	189.6×136.6×93.4mm	189.6×135.8×91.8mm	137.4×93.6×192.0mm		137.0×93.6×229.1mm	
Operating Environment	Temperature 0-45 °C / Humidity 30-70%Rh					
Print Substrates	Carton, Plastic, Metal, Sheet Metal, Pipes, Stone, Cables, Electronic Components, Auto Parts, Industrial Chemical Packaging, Pharmaceutical/Food/Gift Packaging Boxes					
Ink Type	42ml Food-grade, Water-based, Oil-based, Mild Solvent, Solvent Cartridge, High-capacity Ink Bag Continuous Ink Supply System					
Ink Colors	Black, White, Red, Yellow, Blue, Green, Invisible, UV					



Thermal Transfer Overprinter

R4000 Series, R3000 Series

Strengths

Codpad Thermal Transfer Overprinters are specifically designed for flexible films and labels. Utilizing ribbon instead of ink for product packaging coding, they are easy to integrate with common packaging equipment such as pillow bag machines and vertical form-fill-seal machines. They feature high printing resolution, a large printing area, and can easily print multi-line information such as QR codes, production dates, product names, ingredient lists, etc.

Application

Food and pharmaceuticals, etc.

Applicable substrate

Flexible packaging, films, labels, etc.



R4000 Series

Thermal Transfer Overprinter

About Product

The TTO Thermal Transfer Overprinter applies ribbon ink onto films and labels, integrating into packaging lines. The R4000 series prints up to 800mm/s with 0.1mm precision, is compatible with 600/800m ribbons, and includes a ribbon-saving mode to lower costs. It features a 10.1-inch touch screen, proprietary industrial motherboard, high-performance CPU, and an aerospace aluminum body for reliable performance.



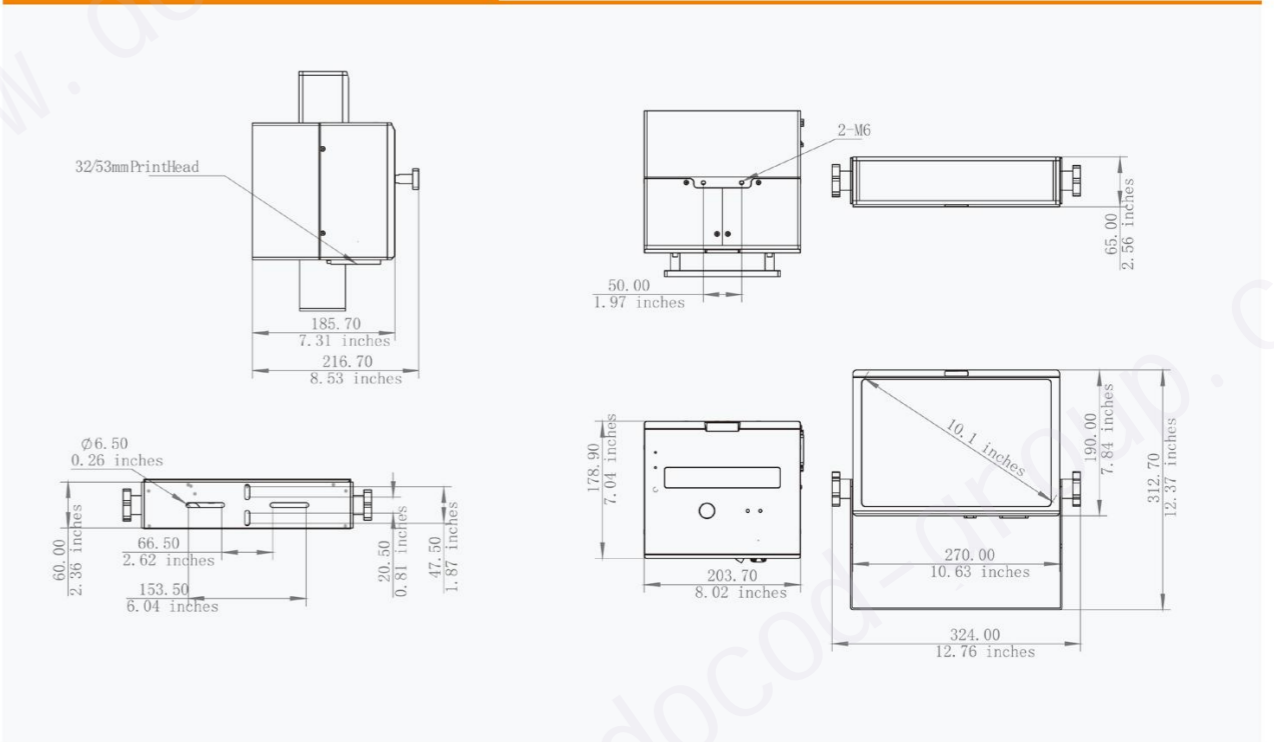
Printing Effect



Product Advantages

- Extreme Speed & High Efficiency** Printing speed up to 800 mm/s, effectively improving production efficiency.
- Robust & Durable** Aerospace aluminum alloy and CNC process, industrial-grade body design, suitable for harsh environments.
- Smart & User-Friendly** 10.1-inch touch screen with intuitive operation and preview function, prevents misuse; intelligent reminders for consumables and printhead enable easy maintenance.
- Professional Hardware** Self-developed industrial-grade PCBA motherboard, integrated with high-performance CPU and FPGA, strong anti-interference capability, stable and reliable operation.
- Compact & Flexible** Compact body, easy to integrate into existing production lines, suitable for equipment manufacturers and system integrators.
- High-Efficiency Consumables** 600/800-meter large-capacity ribbon with multiple saving modes, low replacement frequency, strong continuous operation capability.

Machine Specifications



Printing Parameters	
Working Mode	Intermittent / Continuous
Printing Mode	Thermal Transfer
Print Gap	≥0.1mm
Ribbon Width	33 / 35 / 55mm
Ribbon Length	400 / 600 / 800 m
Print Area	Intermittent: 32x75mm / 53x70mm Continuous: 32x200mm / 53x200mm
Max. Printing Speed	800 mm / s
Min. Printing Speed	50 mm/s
Printing Resolution	300 dpi
Print Content	Text, Time, Date, Patterns, Shift, Serial Number, Dynamic Barcode/QR Code, Dynamic Serial Port Data, Dynamic Database (other content can be added as required)

Machine Parameters	
Brand	Codpad
Model	R4032 / R4053
Power Supply	AC 110-230V 50 / 60 Hz
Operating Environment	Temperature:0-45°C, Humidity: 30-70%Rh
Dimensions	Printer: 216.7×203.7×178.9 mm; Controller: 324×312.7×65mm
Weight	Printer: 7.8kg; Controller: 3.0kg
Operation Interface	10.1-inch color display, capacitive touch screen
Air Supply Consumption	2-4 bar / 29-58psi
Material Types	High barrier film, stick packaging, sealed bag, sealed packaging, bagged, metallized label, decorative label
Standard Communication	USB, RS232, TCP/IP network interface (supports network remote centralized control management, docking weighing machine/conveyor/paging machine/packaging machine/enterprise resource planning database/drug supervision code/anti-counterfeiting traceability system)

R3000 Series

Thermal Transfer Overprinter

About Product

The printing speed of the R3000 series is as high as 800mm/s, the minimum printing spacing can be set to 0.1mm, and the ribbon supports up to 1200m long and color-saving mode, which effectively reduces the frequency of ribbon replacement. 10-inch full-color LCD touch screen, easy to operate. The hardware configuration is a self-developed PCBA motherboard, using industrial-grade high-performance CPU and high-speed computing FPGA. The body is made of aviation-grade aluminum, which is sturdy and durable.



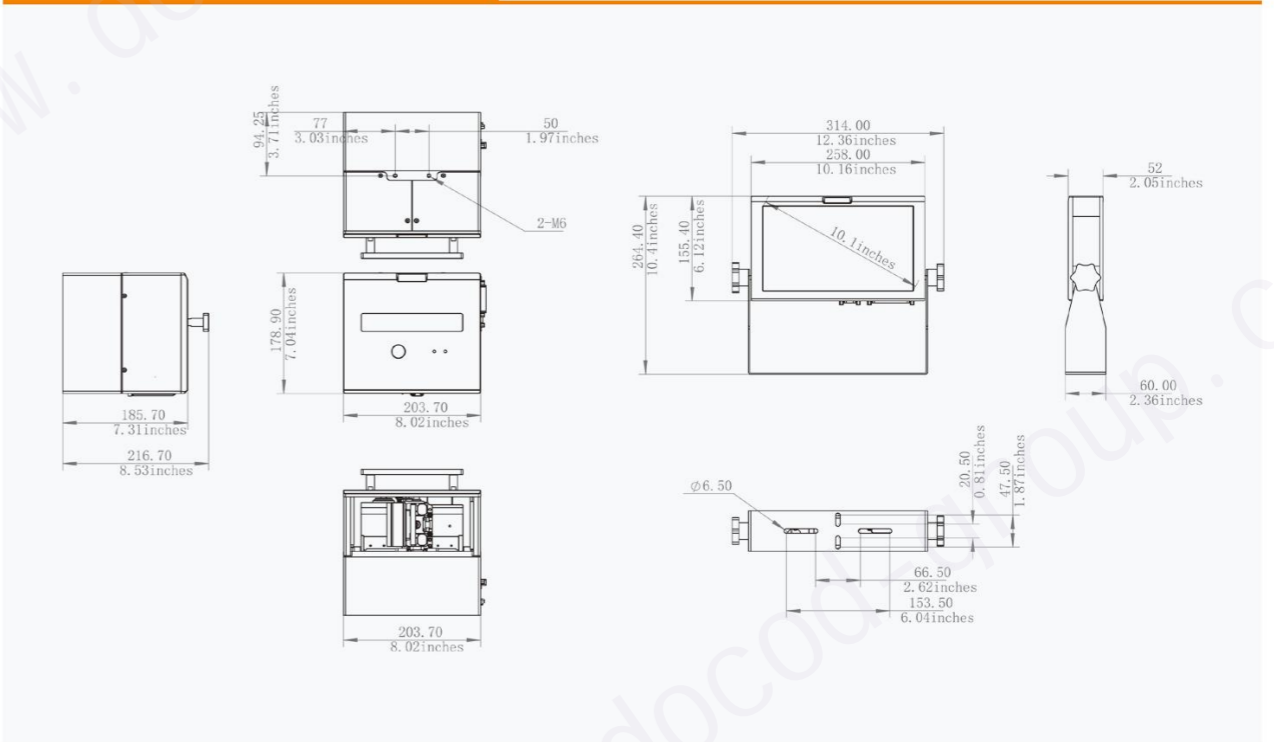
Printing Effect



Product Advantages

- Extreme Speed & High Efficiency** Printing speed up to 800 mm/s, effectively improving production efficiency.
- Robust & Durable** Aerospace aluminum alloy and CNC process, industrial-grade body design, suitable for harsh environments.
- Smart & User-Friendly** 10.1-inch touch screen with intuitive operation and preview function, prevents misuse; intelligent reminders for consumables and printhead enable easy maintenance.
- Professional Hardware** Self-developed industrial-grade PCBA motherboard, integrated with high-performance CPU and FPGA, strong anti-interference capability, stable and reliable operation.
- Compact & Flexible** Compact body, easy to integrate into existing production lines, suitable for equipment manufacturers and system integrators.
- High-Efficiency Consumables** 12000-meter large-capacity ribbon with multiple saving modes, low replacement frequency, strong continuous operation capability.

Machine Specifications

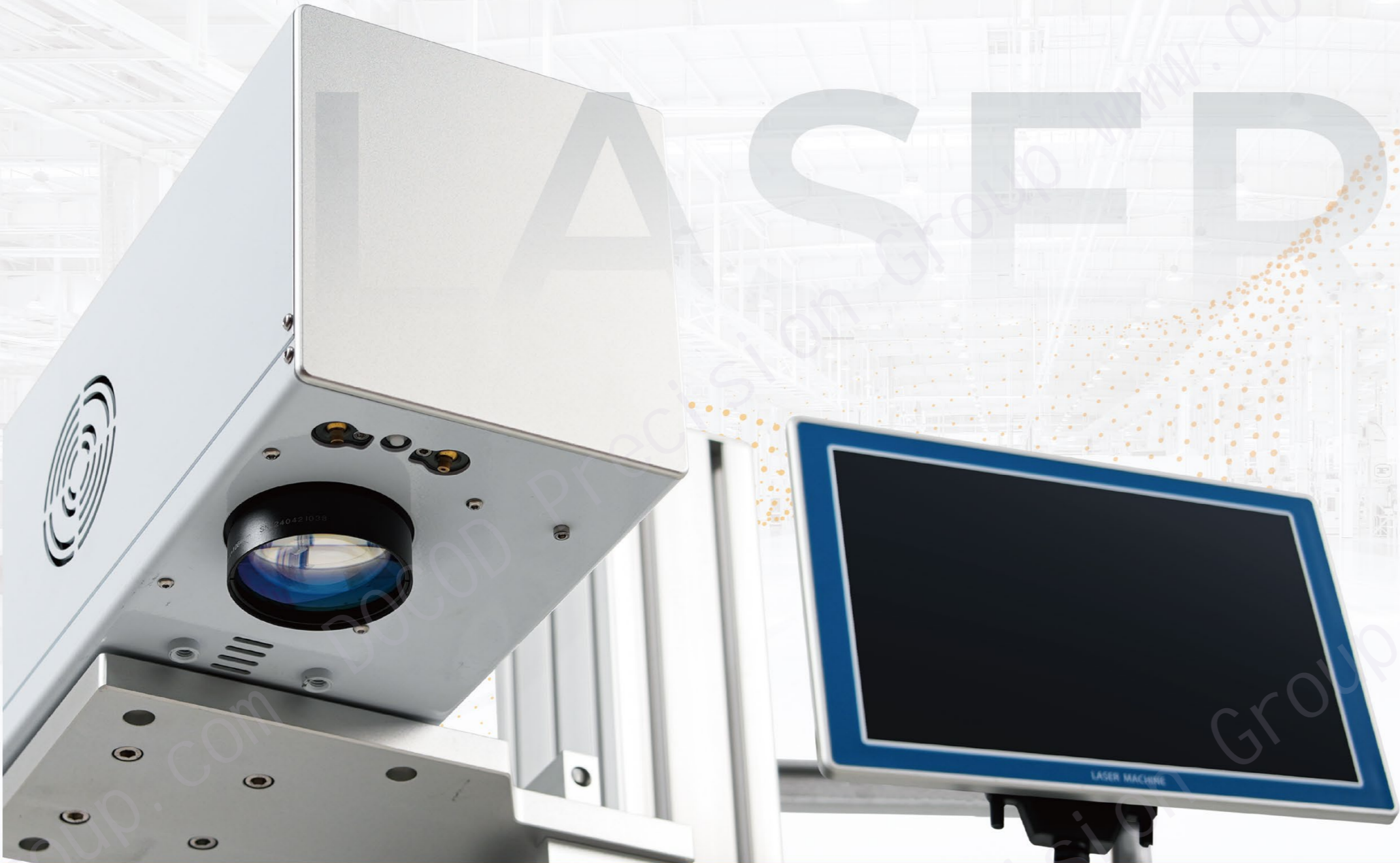


Printing Parameters

Working Mode	Intermittent
Printing Mode	Thermal Transfer
Print Gap	≥0.1mm
Ribbon Width	33 / 35 / 55mm
Ribbon Length	400 / 600 / 800 m
Print Area	32×75mm / 53×70 mm
Max. Printing Speed	Recommended 200-350 mm/s (Max. 800mm/s)
Min. Printing Speed	50 mm/s
Printing Resolution	300 dpi
Print Content	Text, Time, Date, Patterns, Shift, Serial Number, Dynamic Barcode/QR Code, Dynamic Serial Port Data, Dynamic Database (other content can be added as required)

Machine Parameters

Brand	Codpad
Model	R3032 / R3053
Power Supply	AC 110-230V 50 / 60 Hz
Operating Environment	Temperature:0-45°C, Humidity: 30-70%Rh
Dimensions	Printer: 224.8 × 182.5 × 216.8 mm Controller: 314 × 264 × 60 mm
Weight	Printer: 7.5kg; Controller: 2.4kg
Operation Interface	10.1-inch color display, capacitive touch screen
Air Supply Consumption	2-4 bar / 29-58psi
Material Types	High barrier film, stick packaging, sealed bag, sealed packaging, bagged, metallized label, decorative label
Standard Communication	USB, RS232, TCP/IP network interface (supports network remote centralized control management, docking weighing machine/conveyor/paging machine/packaging machine/enterprise resource planning database/drug supervision code/anti-counterfeiting traceability system)



Laser Marking Machine

L Series, Venus Series

Strengths

Codpad laser marking machine series includes CO2, fiber and UV laser models with different output powers, which can meet the marking needs of various materials and industry applications. Laser marking technology, with its advantages of durability and no consumables, provides customers with an efficient and economical marking solution.

Application

Food, beverages, daily chemicals, pharmaceuticals, automobiles, electronics, etc

Applicable substrate

Plastics, metal, glass, cartons, etc



Venus Laser Marking Machine

New self-developed operating system enables more efficient collaboration between laser marking and automated production lines

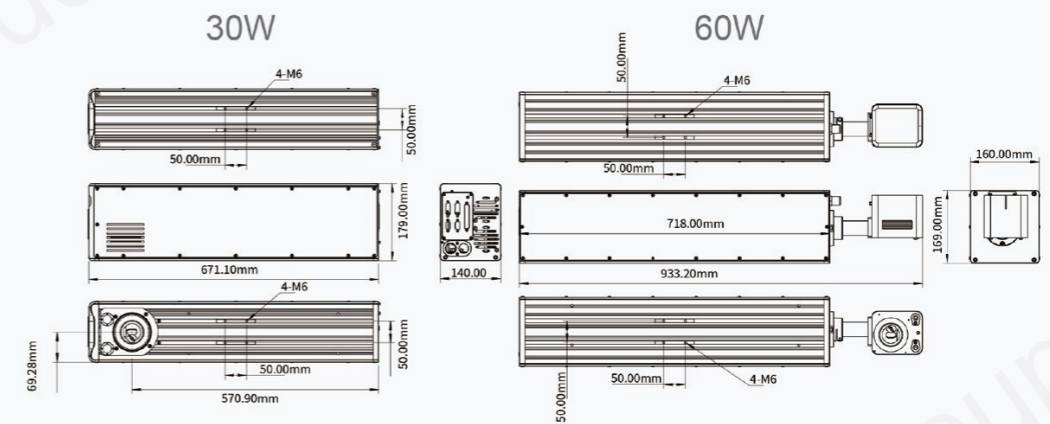
The intelligent operation interface adopts a WYSIWYG (What You See Is What You Get) editing mode, supporting seamless switching between static and dynamic marking modes, while enabling one-click parameter synchronization and real-time preview of marking paths. Equipped with a multi-role permission management system, it ensures secure and controllable operations. Additionally, the integration of galvanometer auto-correction technology further enhances marking precision. Operators can visualize the printing status in real time and manage processes with one-click control. Coupled with full-process monitoring and intelligent alert functions, the system guarantees stable, uninterrupted operation of the equipment.



Printing Effect



Machine Specifications



Machine Parameters

Model	Venus1030C-106F-IP43	Venus1060C-106F-1P43	Venus1060C-106W-1P65
Laser Wavelength	10.6um (10.2um/9.3um optional)		
Laser Energy (Laser Power)	30W	60W	60W
Positioning Method	Automatic red light positioning, focusing & preview		
Marking Speed	Dependent on material, marking content size & complexity		
Number of Marking Lines	Unlimited		
Character Height	0.6mm to maximum marking range		
Supported Languages	Simplified Chinese, Traditional Chinese, English, Korean, Japanese, Russian, Spanish, Persian, etc		
Graphic Formats	JPG, BMP, PNG, DXF, DWG, PLT, AI		
Barcode Types	EAN8, EAN13, CODE39, CODE128, GS1-128		
Marking Range	Standard (110×110mm), Optional (70-300mm)		
Galvanometer Scanner	High-precision 2D digital scanning system		
Controller	10.1-inch color display, industrial touchscreen		
Operating System	Embedded Linux secure operating system		
Cooling System	Air-cooled	Water-cooled	
Main Unit (L×W×H)	671*140*179mm	933*160*169mm	933*160*169mm
Protection Level	IP43		IP65
Product Speed Monitoring	Supports AB-phase encoder		
User Interfaces	Photoelectric signal, encoder signal, alarm signal, I/O (NPN, PNP, switch-type sensors), RS232 communication, etc.		
Power Supply Requirement	100V-240V/50-60Hz		
Overall Power	≤600W	≤1500W	≤1500W
Material	Aluminum alloy		
Operating Temp. & Humidity	Ambient temp.: 0°C-45°C; Humidity: ≤95% (non-condensing, no vibration)		
Laser Lifetime	20,000 hours under normal use		
Machine Gross Weight	21.75kg	28.5kg	27.5kg

L1000 Series

UV Laser Marking Machine

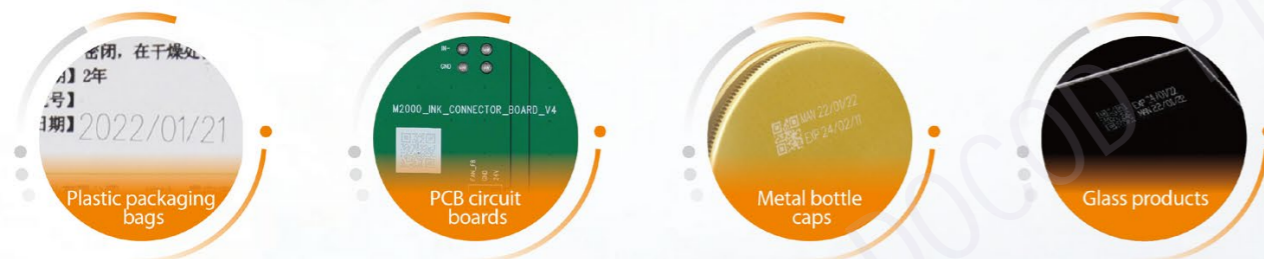


UV laser marking machines have an exceptionally wide range of marking applications and are suitable for various metal and non-metal materials in fields such as packaging, electronics, glass, and handicrafts. Examples include surface marking on high-end electronic products, food packaging, PVC pipes, and pharmaceutical packaging materials.

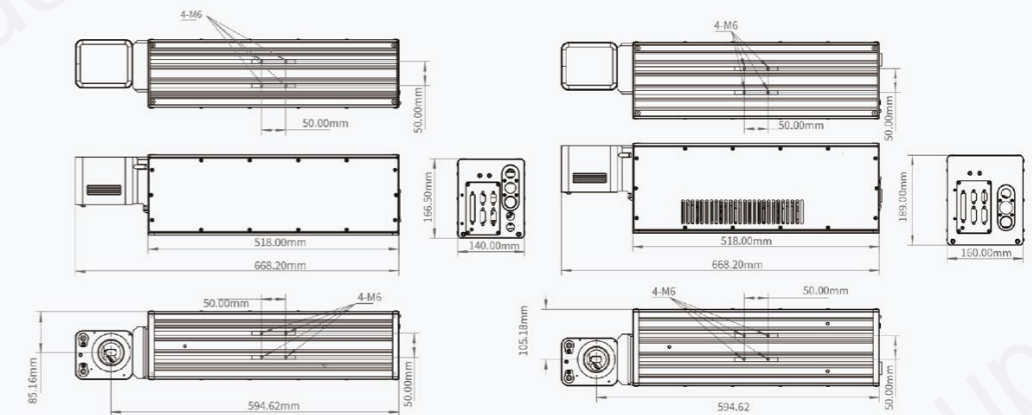
The key features of these machines lie in the use of high-precision optical components and a galvanometer scanning system, which enables extremely fine focal spots for high-precision marking while ensuring clarity and accuracy. Additionally, due to their minimal heat effect, they prevent material burning or deformation, making them particularly suitable for temperature-sensitive materials.



Printing Effect



Machine Specifications



Machine Parameters

Model	L1003U-355W-J-IP54 L1005U-355W-J-IP54	L1003U-355F-J-IP43 L1005U-355F-J-IP43
Laser wavelength	355nm	
Laser power	3W/5W	
Positioning method	Automatic red light positioning, focusing, preview	
Marking speed	Depends on the size and complexity of the surface material and the marking content.	
Number of marking lines	Unlimited	
Character height	0.6 to maximum engraving range	
Language	English, Simplified Chinese, Traditional Chinese, Korean, Japanese, Russian, Spanish, Persian and other languages	
Graphic format	JPG, BMP, PNG, DXF, DWG, PLT, AI	
Barcode	EAN8, EAN13, CODE39, CODE128, GS1-128	
Marking range	Standard (110*110), optional (70-300)	
Galvanometer scanning head	High-precision 2D digital scanning system	
Controller	10.1-inch color display, industrial touch screen	
Operating system	Embedded Linux security operating system	
Cooling system	Water cooling	Air cooling
Host (L x W x H)	668*140*166.5mm	668*160*189mm
Protection level	IP54	IP43
Product speed monitoring	Support AB phase encoder	
User interface	Photoelectric signal, encoder signal, alarm signal, I/O (NPN, PNP, switch type sensor), RS232 communication, etc	
Power requirements	100V-240V/50-60HZ	
Machine power	≤900W	
material	Aluminum alloy	
Operating temperature and humidity	External temperature 0°C-45°C Humidity ≤95%; non-condensing; no vibration	
Laser life	Normal use 2-3 years	
Machine gross weight (kg)	20.5kg	22.6kg

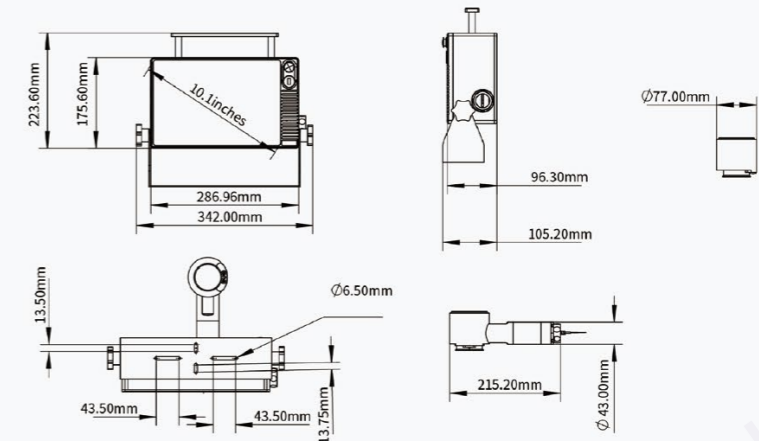
L1000 Series

Portable Fiber Laser Marking Machine



This fiber laser marking machine features a compact and lightweight design with a long operational lifespan, supporting both desktop and floor-stand mounting options. It is equipped with a highly responsive 10.1-inch capacitive touchscreen for smooth operation and enhanced user comfort. The product is suitable for a wide range of applications, including various metals and coatings, computer components, industrial bearings, sanitary ware, medical devices, eyeglasses and watches, automotive parts, electronics and communication products, aerospace components, hardware molds, and more.

Machine Specifications



Machine Parameters

Model	L1020F-1064F-C-IP43
Laser wavelength	1064nm
Laser power	18W
Positioning method	Automatic red light positioning, focusing, preview
Marking speed	Depends on the size and complexity of the surface material and the marking content.
Number of marking lines	Unlimited
Character height	0.6 to maximum engraving range
Language	English, Simplified Chinese, Traditional Chinese, Korean, Japanese, Russian, Spanish, Persian and other languages.
Graphic format	JPG、BMP、PNG、PLT、DXF、DOT.etc.
Other Data Formats	Support a variety of variable formats (date, time, serial number, random number, VIN code, file data, communication receiving data, scanning gun data, etc.), support one-dimensional code and two-dimensional code, arc text, etc
Marking range	Standard(100*100),optional(30*30)/(50*50)
Galvanometer scanning head	High-precision 2D digital scanning system
Controller	10.1-inch color display, industrial touch screen
Operating system	Embedded Linux security operating system
Cooling system	Air cooling
Host(LxWxH)	342*105.2*223.6mm(including bracket)
Protection level	IP43
Product speed monitoring	Support AB phase encoder
User interface	Photoelectric signal, encoder signal, alarm signal, I/O (NPN, PNP, switch type sensor),Rs232 communication,etc.
Power requirements	100V-240V/50-60HZ
Machine power	≤150W
material	Aluminum alloy
Operating temperature and humidity	External temperature 0°C-45°C Humidity ≤95%; non-condensing; no vibration
Laser life	reach up to 100,000 hours
Machine gross weight (kg)	11.3kg



Printing Effect



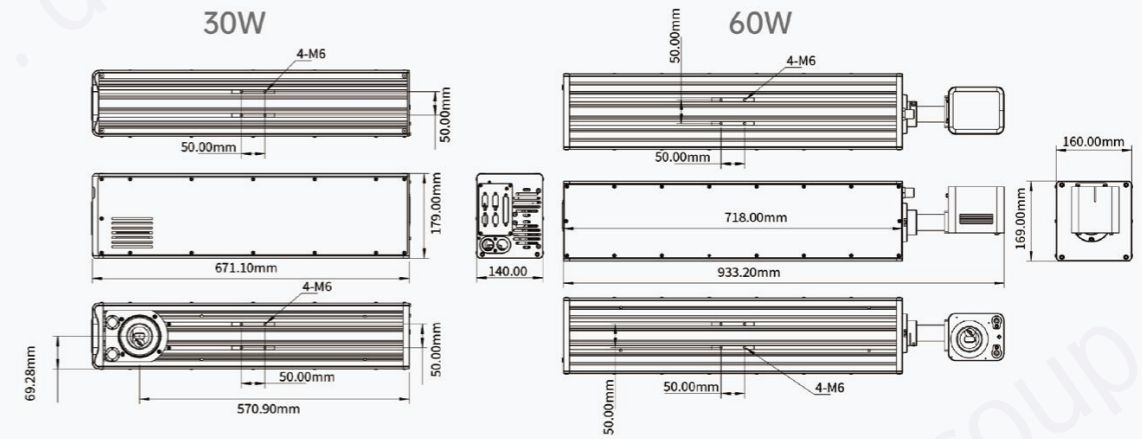
L1000 Series

CO2 Laser Marking Machine



CO2 laser markers are characterized by high speed, efficient marking, long service life, and stable output performance. They can be applied in the processing and manufacturing of non-metallic and metallic materials, as well as in fields such as electronics, automotive parts, packaging, and handicrafts. For example, they are used to mark required production date codes, batch numbers, and other information on surfaces like plastics, rubber, and food packaging to ensure product traceability or quality safety.

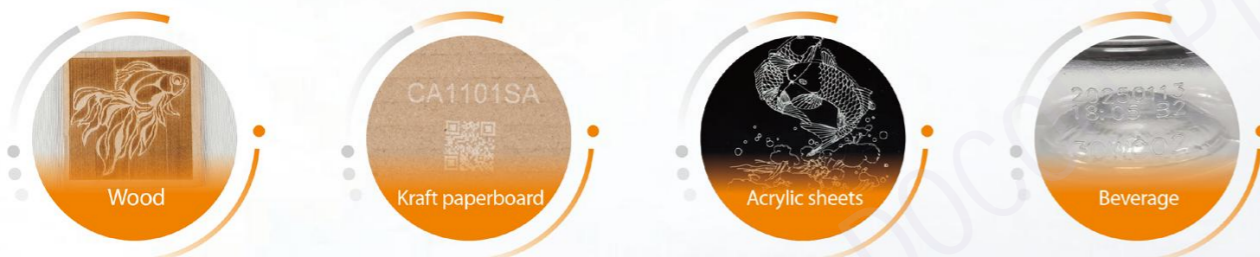
Machine Specifications



Machine Parameters

Model	L1030C-106F-R-IP43	L1060C-106F-R-IP43	L1060C-106W-R-IP54
Laser wavelength	10.6um(optional: 10.2um/9.3um)		
Laser power	30W	60W	60W
Positioning method	Automatic red light positioning, focusing, preview		
Marking speed	Depends on the size and complexity of the surface material and the marking content;		
Number of marking lines	Unlimited		
Character height	0.6 to maximum engraving range		
Language	English, Simplified Chinese, Traditional Chinese, Korean, Japanese, Russian, Spanish, Persian and other languages		
Graphic format	JPG, BMP, PNG, DXF, DWG, PLT, AI		
Barcode	EAN8,EAN13,CODE39,CODE128,GS1-128		
Marking range	Standard (110*110),optional (70-300)		
Galvanometer scanning head	High-precision 2D digital scanning system		
Controller	10.1-inch color display,industrial touch screen		
Operating system	Embedded Linux security operating system		
Cooling system	Air cooling		Water-cooling
Host (L x W x H)	671*140*179mm	933*160*169mm	933*160*169mm
Protection level	IP43		
Product speed monitoring	Support AB phase encoder		
User interface	Photoelectric signal, encoder signal, alarm signal, I/O (NPN, PNP, switch type sensor), RS232 communication, etc.		
Powerrequirements	100V-240V/50-60HZ		
Machine power	≤600W	≤1500W	≤1500W
material	Aluminum alloy		
Operating temperature & humidity	External temperature 0℃ — 45℃ Humidity ≤95%; non-condensing; no vibration		
Laser life	20,000 hours		
Machine gross weight (kg)	21.75kg(Gross weight)	28.5kg(Gross weight)	27.5kg

Printing Effect



L2000 Series

Fiber Laser Marking Machine



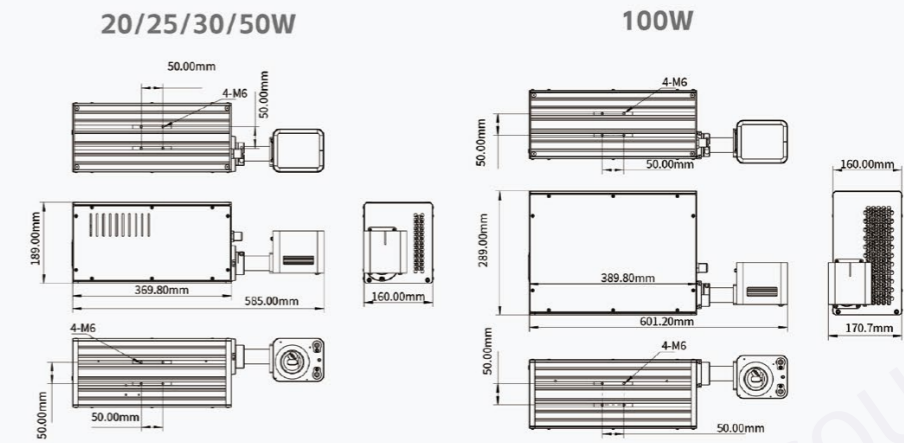
Fiber laser markers are characterized by excellent beam quality, compact size, high speed, long operational lifespan, flexible and convenient installation, and maintenance-free operation. They are primarily used in fields requiring high standards of depth, smoothness, and precision, such as various metals and coatings, computer components, industrial bearings, sanitary ware, medical devices, eyeglasses and watches, automotive parts, electronic and communication products, aerospace components, and hardware molds.



Printing Effect



Machine Specifications



Machine Parameters

Model	L2020F-1064F-C-IP43	L2025F-1064F-C-IP43	L2030F-1064F-C-IP43	L2050F-1064F-C-IP43	L2100F-1064F-C-IP43
Laser wavelength	1064nm				
Laser power	20W	25W	30W	50W	100W
Positioning method	Automatic red light positioning, focusing, preview				
Marking speed	Depends on the size and complexity of the surface material and the marking content;				
Number of marking lines	Unlimited				
Character height	0.6 to maximum engraving range				
Language	English, Simplified Chinese, Traditional Chinese, Korean, Japanese, Russian, Spanish, Persian and other languages.				
Graphic format	JPG,BMP.PNG.DXF.DWG, PLT.AI				
Barcode	EAN8,EAN13,CODE39,CODE128,GS1-128				
Marking range	Standard (110*110),optional (50-300)				
Galvanometer scanning head	High-precision 2D digital scanning system				
Controller	10.1-inch color display,industrial touch screen				
Operating system	Embedded Linux security operating system				
Cooling system	Air cooling				
Host (L x W x H)	585*160*189mm				602*171*289mm
Protection level	IP43				
Product speed monitoring	Support AB phase encoder				
User interface	Photoelectric signal, encoder signal, alarm signal, I/O (NPN, PNP, switch type sensor, RS232 communication, et.				
Power requirements	100V-240V/50-60HZ				
Machine power	≤600W				
material	Aluminum alloy				
Operating temperature & humidity	External temperature 0°C-45°C Humidity ≤95%, non-condensing; no vibration				
Laser life	Up to 100,000 hours				
Machine gross weight (kg)	18kg				24kg



Piezoelectric Inkjet Printer

P2000 series

Strengths

Codpad piezoelectric inkjet printers are based on advanced piezoelectric inkjet technology, providing clear and durable markings with a resolution of up to 600 dpi, efficiently displaying various marking information. The separate control and printhead design ensures convenient operation and stable performance. The ink path system features strong compatibility, supporting multiple ink types and color combinations. The proprietary software design further extends the service life of the equipment.

Application

Food, pharmaceutical, daily chemical, express delivery & e-commerce, electronic components and other industries.

Applicable substrate

Corrugated paper, books, coated paper, label paper, wallpaper, pipes, plastics, packaging gift boxes.



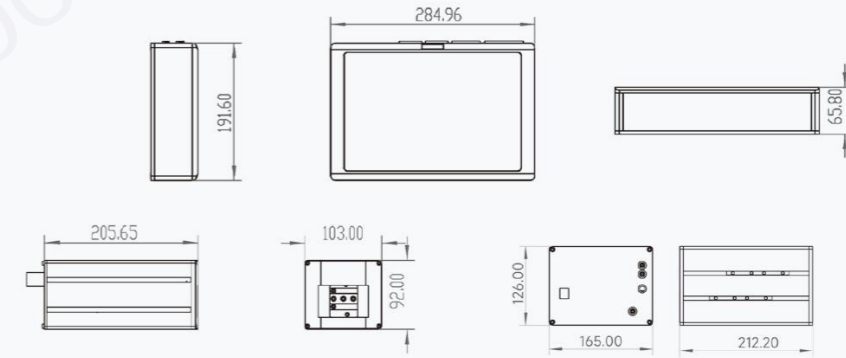
P2000

Piezoelectric Inkjet Printer

Adopting advanced piezoelectric inkjet technology, the P2000 Series Piezoelectric inkjet printer achieves precise, clear and long-lasting printing with a resolution of up to 600 dpi. Featuring a split design, the device is equipped with a 10.1-inch color touchscreen, supporting the editing of various barcodes and QR codes for convenient operation. With a compact and lightweight body, it allows for easy installation. Compatible with multiple ink types and colors, it delivers non-permeable and fade-resistant printing on various material surfaces such as paper, plastic and metal, meeting the application needs of diverse scenarios. The whole machine operates stably and reliably, serving as an efficient and high-quality industrial marking solution.



Machine Specifications



Printing Effect



Product Advantages

- High Precision** High resolution ensures clear printed content, with a maximum support of 600 dpi, suitable for application scenarios requiring high precision.
- Flexibility** Supports multiple printing directions and angle adjustments, including vertical and side printing, adapting to the installation needs of different printing scenarios.
- Reliability** Fully independently developed hardware, software, and ink path system guarantee the product's stability and durability.
- High Speed** High printing speed is suitable for mass production environments, improving production efficiency.
- Compatibility** Compatible with various water-based and solvent-based printheads and ink types, supporting multi-color splicing printing to meet the needs of different customers.
- User Experience** Equipped with a 10.1-inch full-color LCD capacitive touchscreen, enhancing the operational experience.

Printing Parameters

Printhead Type	I1600 Series Printhead
Number of Printheads	Single Head / Dual Heads
Printing Resolution	300 dpi or 600 dpi
Printing Height	Maximum 33.8 mm for single head
Printing Distance	0-5 mm (recommended distance from printing medium: 2-3 mm)
Printing Speed	190 m/min (300 dpi) or 95 m/min (600 dpi)
Ink Type	Water-based ink, quick-drying ink
Printing Direction	Vertical and side printing
Ink Path System	Negative pressure continuous ink supply
Printing Content	Text, time, date, patterns, shifts, serial numbers, dynamic barcodes/QR codes, dynamic serial port data, dynamic databases (other content can be added as needed)
Printing Materials	Cartons, plastics, metals, plates, pipes, cables, glass, electronic components, auto parts, packaging boxes for pharmaceuticals, food, and gifts

Network Control

Operation Interface	10.1-inch LCD full-color capacitive touchscreen
Operating System	Embedded Linux secure operating system
External Interfaces	Photoeye, encoder, flip/reverse control, signal light alarm output, serial number output control, external printing information selection
Supported Languages	Chinese, English (other languages can be customized as needed)
Communication Interfaces	USB, RS232, TCP/IP network interfaces (supports remote centralized network control and management, and connection with weighing machines/conveyors/sheet feeders/packaging machines/ERP databases/pharmaceutical supervision codes/anti-counterfeiting traceability systems)

Structural & Electrical Specifications

Power Supply Parameters	Input: 100-240 VAC, 50/60 Hz, ≤ 150 W
Machine Material	Aviation-grade aluminum
Printhead Installation	Independent printhead installation, compatible with anti-collision components
Machine Material	Controller: 192×285×66 mm (L×W×H) Printhead: 92×103×206 mm (L×W×H) Ink Supply System: 213×126×165 mm (L×W×H) or 300×263×250 mm (L×W×H)
Machine Weight	Controller: Approximately 2.5 kg Printhead: Approximately 1.6 kg Ink Supply System: Approximately 3.5 kg or 5 kg

Other Parameters

Packaging & Transportation	Carton packaging with printhead anti-collision protection
Operating Environment	Temperature: 15°C-45°C; Humidity: 30%-70% RH
Relevant Certifications	CE

Special Functions

- Supports PD Matrix anti-channel conflict function
- Supports multi-color splicing function
- Special algorithm design extends printhead service life

Intelligent System Solutions

DOCOD VISION Visual Inspection System,
Full-Link Digital Management Solution,
DOCOD Cloud

Codpad not only provides self-developed hardware equipment, but also dedicates itself to offering systematic smart solutions, including visual recognition and inspection technologies as well as a one-item-one-code traceability system. To better empower our clients, we have introduced the Coding Management System, designed to meticulously manage all your coding-related operations.

DOCOD VISION

Visual Inspection System



A Vision System Equipped with Deep Learning Functionality

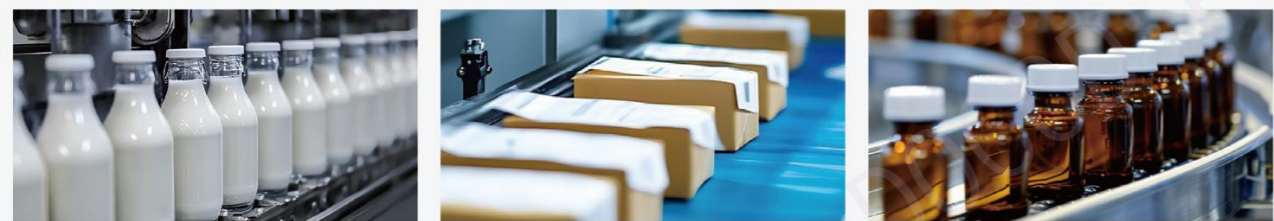
DOCOD VISION is a visual inspection system that integrates OCR and OCV technologies, with built-in deep learning capabilities. It is designed for detecting a wide range of data information, including multi-language text, multi-font characters, barcodes, QR codes, presence/absence verification, and defect inspection. The system supports the reading and writing of dynamic data (e.g., unique item codes for products), boasting millisecond-level processing speed and enabling over 100,000 inspections per hour. It can be integrated with defective product handling controls, such as alarm and rejection devices. By replacing manual inspection, it enhances overall production efficiency and improves enterprises' quality traceability capabilities.

Comprehensive Quality Inspection Solutions

<p>Character Recognition</p> <p>Powered by professional visual algorithms, it accurately identifies character anomalies such as overprinting (excessive length), underprinting (content missing), and duplication. This ensures standardized marking and facilitates efficient production quality control.</p>	<p>Code Recognition</p> <p>Utilizing specialized visual algorithms, it precisely detects code-related anomalies including missing codes, code misalignment, and code defects. It guarantees marking compliance and helps production lines achieve efficient quality inspection and full-process traceability.</p>	<p>Defect Inspection</p> <p>Adaptable to various inspection scenarios, it accurately identifies product anomalies such as damage, deformation, object misalignment, and foreign matter contamination. It ensures quality compliance and supports efficient quality inspection and control across all production stages.</p>
---	--	--

Applicable Industries

Industries with high requirements for identification and inspection, such as food, pharmaceuticals, electronic manufacturing, logistics and packaging industries.



Character Recognition Case Studies

<p>Excess Print Detection</p>	<p>Duplicate Print Detection</p>	<p>Missing Print Detection</p>
-------------------------------	----------------------------------	--------------------------------

Code Recognition Case Studies

<p>Non-defective</p>	<p>Code Misalignment</p>	<p>Code Missing</p>
----------------------	--------------------------	---------------------

Defect Inspection Case Studies

<p>Package Deformation & Damage</p> <p>Tissue Side Defect Inspection</p>	<p>Foreign Matter in Package (Adhesive Tape)</p> <p>Tissue Front & Back Defect Inspection</p>	<p>Package Damage</p> <p>Tissue Sealing Defect Inspection</p>
<p>Package Damage</p>	<p>Packaging Pattern Offset</p>	<p>Package Damage</p>

Full-Link Digital Management Solution

Creating One-Stop Digital Solutions for Enterprises

The Full-Link Digital Management Solution is a one-stop solution that empowers enterprises with a complete link from product marking, data collection to digital application. It helps enterprises implement full-life-cycle management of products, integrate circulation and sales data, manage channel conflict (gray market goods), and conduct precision marketing.

At its core is the "One Item One Code" technology, which assigns interrelated "unique ID codes" to each level of packaging for every product. It assists enterprises in realizing the digital reconstruction of "people, goods, venues, and content", building an efficient, reliable, and practical traceability system. It ensures that products are compliant and traceable throughout production, warehousing, and circulation stages, with anti-channel conflict and anti-counterfeiting capabilities. It enables precise monitoring of all links in enterprise production and marketing, making process information data-driven and visualized.

Implementation and Deployment Methods of the Digital Solution



Pre-Project Planning

- A professional team conducts in-depth communication with customers to understand business processes, product characteristics and traceability needs, and formulates a detailed project implementation plan.
- Provides training for relevant enterprise personnel.



System Integration and Connection

- Conducts rigorous testing before project launch to ensure stable and reliable operation of the system.
- Provides comprehensive operation and maintenance support services after launch, with regular system inspections to ensure long-term stable operation.



Launch and Operation Support

- Provides standardized interfaces for seamless integration with existing enterprise systems, realizing data sharing and business collaboration.
- Supports access to a variety of IoT devices, such as RFID readers and barcode scanners, to ensure comprehensive, accurate and timely system data collection.

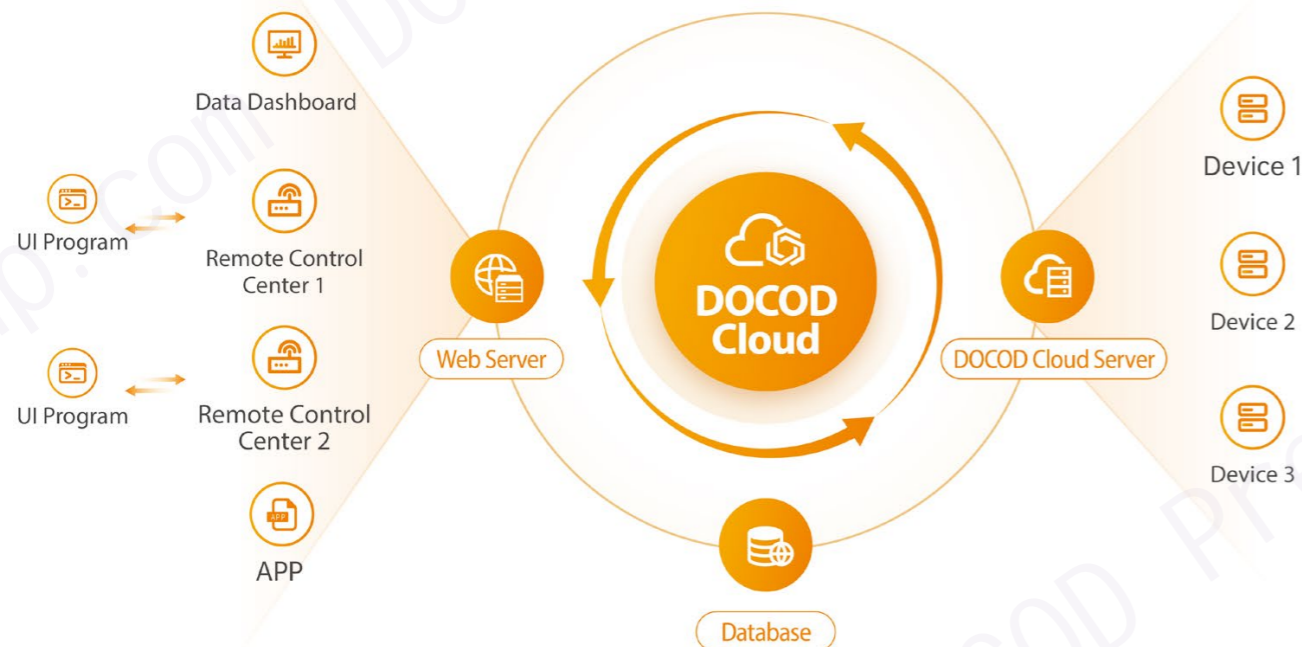


DOCOD Cloud

Intelligent Coding, Cloud-Based Control

DOCOD Cloud is a professional intelligent management platform for coding equipment, dedicated to providing users with convenient and efficient remote equipment management and operation and maintenance (O&M) support. Through the collaboration of Web terminal, mobile App and local equipment, it realizes functions such as real-time monitoring of equipment status, tracking of consumable usage, remote control and intelligent alarm, fully covering the management needs of coding equipment.

The platform supports high-speed and stable local remote control within the Local Area Network (LAN), and also allows users to check equipment status anytime and anywhere via the Internet. Users can overview the dynamics of all equipment on the Web terminal, receive real-time alarms through the mobile App and handle them promptly, as well as synchronize parameters and tasks between devices with one click, significantly improving management efficiency and response speed.

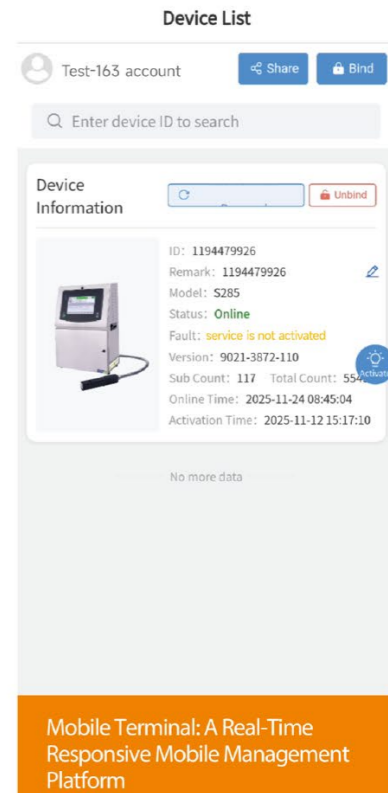
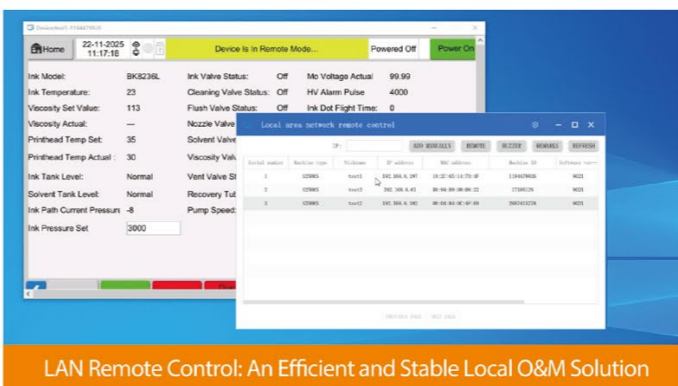
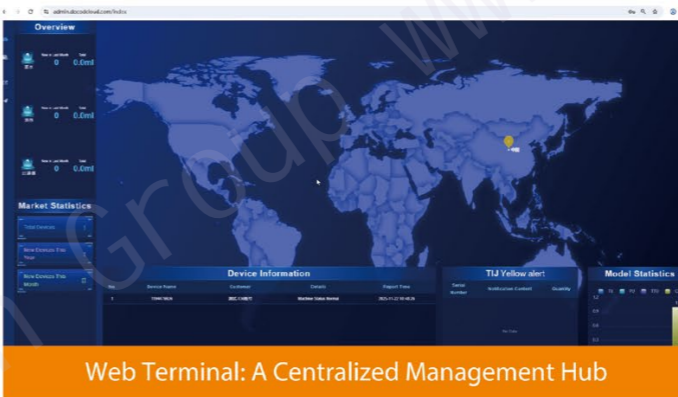


Main Functions of DOCOD Cloud

- OTA Online Upgrade**
Keep the device terminal updated to the latest version
- Data Dashboard Monitoring**
Real-time view of equipment operating status with data analysis support
- Alarm Settings**
Customize consumable alarm thresholds and equipment alarm rules
- Device Management**
View all bound devices and configure operation permissions for different accounts
- DOCOD Cloud App**
Receive real-time alarms and share devices to improve response efficiency
- LAN Remote Control**
Domain control software enables efficient local control, greatly enhancing on-site O&M efficiency

Multi-Terminal Control

With an intuitive visual interface, flexible permission management and stable multi-terminal collaboration, DOCOD Cloud helps users achieve digital upgrading of coding business, reduce O&M costs, and ensure production continuity and data security.





Application Products

Conveyor belts, Paging Machines, Rewinding Machines, Sealing machines, Vision-Based Products, etc.

✔ Strengths

Codpad is committed to providing a diverse range of high-quality application equipment, and each product can seamlessly integrate with Codpad's marking equipment and intelligent systems. Our goal is to meet customers' diverse needs through powerful hardware and software solutions, enhance the convenience of supporting services, and thereby help customers achieve maximum cost-effectiveness.



XD10 Desktop Static Coding Machine

Technical Parameters

- Product Body: Sheet Metal
- Printhead Movement Stroke: 100mm
- Printing Height: 12.7mm
- Printing Width: 70mm
- Machine Dimensions: 220×220×230mm
- Printing Platform Dimensions: 200×245×70mm
- Screen Size: 7 inches
- Overall Weight: 6.5KG
- External sensors and foot switches are optional accessories



XF40P Horizontal Marking Rewinding Machine

Technical Parameters

- Input Voltage: 110V/220V (50Hz)
- Core Size: 76mm
- Product Power: 300W
- Maximum Label Width: 100mm
- Speed Regulation Range: 5-60m/min
- Maximum Label Outer Diameter: 400mm
- Maximum Load: 4kg
- Machine Dimensions: 720×500×377mm
- Net Machine Weight: 45kg
- Information Printing Height: 12.7mm (single printhead), 25.4mm (dual printheads)



XE02 Egg Coding Machine

Technical Parameters

- Main Machine Dimensions: L662×W445×H340mm
- Conveyor Belt Speed: 5-15m/min
- Weight: Egg Coding Machine: 27kg; Conveyor Belt: 44.9kg
- Display Screen: 10-inch resistive touchscreen
- Printhead: Single printhead with 12.7mm printing height; Quantity: 6 (default)
- Conveyor Belt Dimensions: L2015×W418×H810mm



XF30P Vertical Marking Rewinding Machine

Technical Parameters

- Input Voltage: 110V/220V (50Hz)
- Product Power: 300W
- Speed Regulation Range: 5-60m/min
- Maximum Load: 3kg
- Net Machine Weight: 33KG
- Core Size: 76mm
- Maximum Label Width: 100mm
- Maximum Label Outer Diameter: 300mm
- Machine Dimensions: 570×320×580mm
- Carton Packaging Dimensions: 620×366×665mm



XV01 All-in-One Vision Inspection Machine

Technical Parameters

- Camera Pixels: 1.3 Megapixels
- Lens Resolution: 5 Megapixels
- Inspection Speed: ≤ 10 pieces/second (adjustable according to inspection complexity)
- Light Source System: Multi-channel ring/bar LED light source (brightness programmably adjustable), 72W
- Communication Interfaces: GigE Ethernet port, USB 3.0, RS-485
- Operating Environment: Temperature 0-45 °C, Humidity ≤ 80%RH
- Power Supply: 24V DC ± 10%, Power ≤ 50W



XM02 Printing Test Platform

Technical Parameters

- Product Material: Body: Sheet Metal; Printing Platform: Aluminum Plate
- Encoder: 2000P/R-NPN, Wheel Diameter: 63.5mm
- Photoeye: Photoelectric Sensor
- Dimensions: 350×200×150mm
- Effective Distance: 200mm
- Weight: 5.5kg



XB01 Carton Sealing Machine

Next-Generation Sealing Machine with Built-in Anti-Counterfeiting Function

Technical Parameters

- Power Supply: 220V/50/60Hz, 180W
- Overall Dimensions: L1520×W650×H(1000-1300)mm
- Table Height: H550-740mm (adjustable)
- Carton Specifications: Length: 130-∞; Width: 80-300mm; Height: 90-400mm
- Adhesive Tape Size: 3-5cm
- Weight: Approximately 100kg
- Carton Sealing Capacity: 800-1000 cartons/hour
- Printing Height: 12.7mm/25.4mm

XC20 Mini Conveyor Belt



Technical Parameters

- Machine Weight: 7.5KG
- Dimension Specifications: 600×230×175mm (with foot pads)
- Power Consumption: 25W
- Belt Width: 150mm (PVC, length customizable)
- Power Supply: 220V/50Hz
- High-quality AC motor with digital display speed controller, speed 5-12m/min
- High-quality aviation-grade aluminum structure, suitable for matching various application equipment

XP30PC Paging Machine



Technical Parameters

- Power Supply: 220V, 50/60HZ
- Overall Dimensions: 900mm×400mm×370mm
- Applicable Products: Paper sheets, packaging bags, plastic bags, etc.
- Paging Speed: 5-30m/min
- Paging Range: 60mm-300mm
- Paging Thickness: 0.02mm-4mm
- Weight: 25KG

XC20P All-in-One Marking and Conveyor Machine



Technical Parameters

- Machine Weight: 11.5KG
- Dimension Specifications: 600×278×175mm (with foot pads)
- Belt Width: 150mm (PVC, length customizable)
- High-quality AC motor with digital display speed controller, speed 5-12m/min
- Power Consumption: 25W
- Power Supply: 220V 50Hz
- High-quality aviation-grade aluminum structure, suitable for matching various application equipment
- Standard-equipped limit baffle
- Built-in self-developed T180E thermal 0.5-inch printer (standard with printhead gantry and printhead bracket; fine-tuning bracket optional)
- Optional Accessories: Encoder (synchronizes production line and coding machine speed); Resolution (P/r): 2000; Wheel Diameter (mm): 63.5

XP30P All-in-One Marking and Paging Machine



Technical Parameters

- Power Supply: AC220V-50/60Hz
- Motor Power: 60W
- Overall Dimensions: 680×460×400mm
- Applicable Product Width: 80-250mm
- Paging Speed: 5-30m/min
- Paging Thickness: 0.02-4mm
- Paging Length: 60-300mm
- Effective Conveyor Belt Length: 390mm
- Weight: 25KG (excluding receiving hopper)
- Equipment Material: Stainless Steel (brushed matte finish)
- Optional Accessories: Encoder (synchronizes production line and coding machine speed)
- Resolution (P/r): 2500, Wheel Diameter (mm): 63.5

7/24 Service

We have a professional pre-sales and after-sales technical service team. In the early stage, we recommend marking equipment or a complete set of system solutions suitable for different industries, different scales, and different regions according to the needs of different customers. In the later stage, a professional team will provide you with professional technical guidance, on-site services and training to help you worry-free after-sales.

OEM/ODM Customization Service

Codpad has many years of experience in professional OEM services and supports one-stop OEM and ODM services related to identification equipment. We provide professional technical guidance and a full range of customized services to various brands and manufacturers, allowing you to save costs while flexibly responding to market changes and quickly improving brand competitiveness and visibility.

