

2026
LATEST PRODUCTS
LUXURY SPA



Foshan Gaoming Shiyi Sanitary Ware Technology Co., Ltd

- +86 13925955886
- www.victoriastarspa.com
- info@victoriastarspa.com
- NO.568,yangxi Road,yanghe Town, Gaoming,foshan,guangdong,china



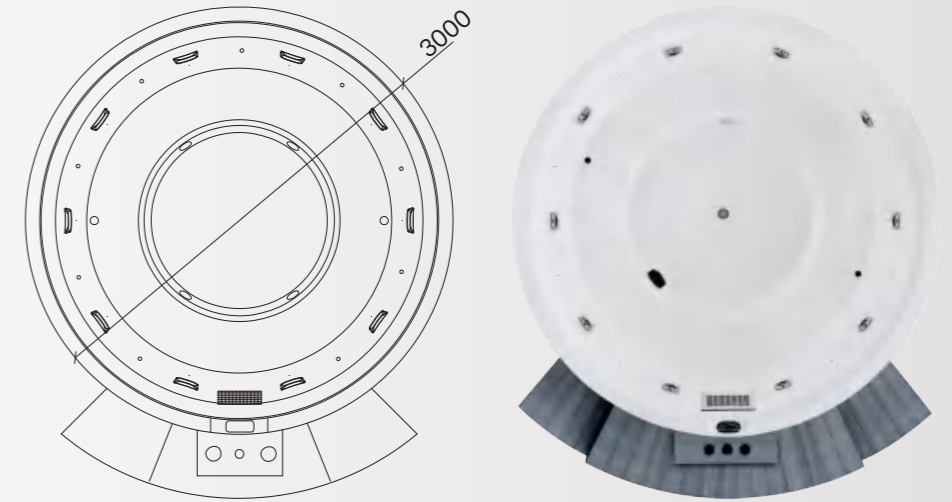
VS-CP3800 $\phi 3800 \times 1050 \text{mm}$

Standard Shell	Chinese white acrylic
Control System	1 set (KL2022)
Heater	3 kW \times 1 set
Water Pump	2 pcs (LP200)
Filter Pump	1 pc (JA50)
Water Drainer	1" \times 4 pcs
Jet	4.5" \times 16 pcs
LED Lights	LED: 2 pcs / Small LED: 15 pcs
Ozone	1 set
Sand Filter	1 set
Total Power	6.375 kW



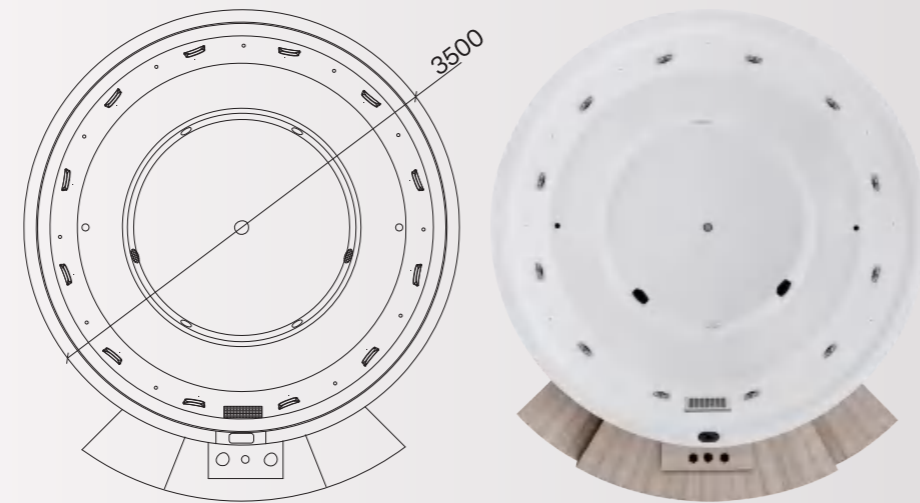
VS-CP3000 $\phi 3000 \times 1050 \text{mm}$

Standard Shell	Chinese white acrylic
Control System	1 set (KL2022)
Heater	3 kW \times 1 set
Water Pump	1 pc (LP200)
Filter Pump	1 pc (JA50)
Water Drainer	1" \times 4 pcs
Jet	4.5" \times 10 pcs
LED Lights	LED: 1 pc / Small LED: 9 pcs
Ozone	1 set
Sand Filter	1 set
Total Power	4.875 kW



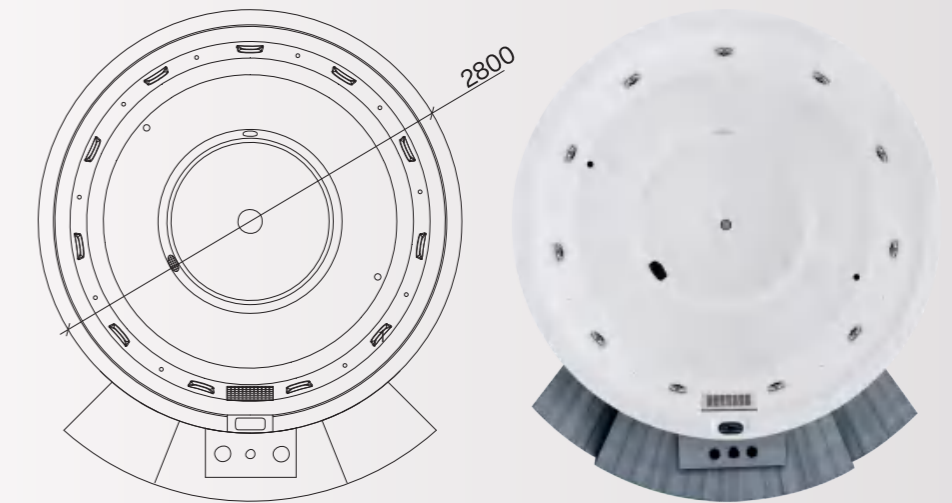
VS-CP3500 $\phi 3500 \times 1050 \text{mm}$

Standard Shell	Chinese white acrylic
Control System	1 set (KL2022)
Heater	3 kW \times 1 set
Water Pump	1 pc (LP200)
Filter Pump	1 pc (JA50)
Water Drainer	1" \times 4 pcs
Jet	4.5" \times 12 pcs
LED Lights	LED: 2 pcs / Small LED: 11 pcs
Ozone	1 set
Sand Filter	1 set
Total Power	6.375 kW



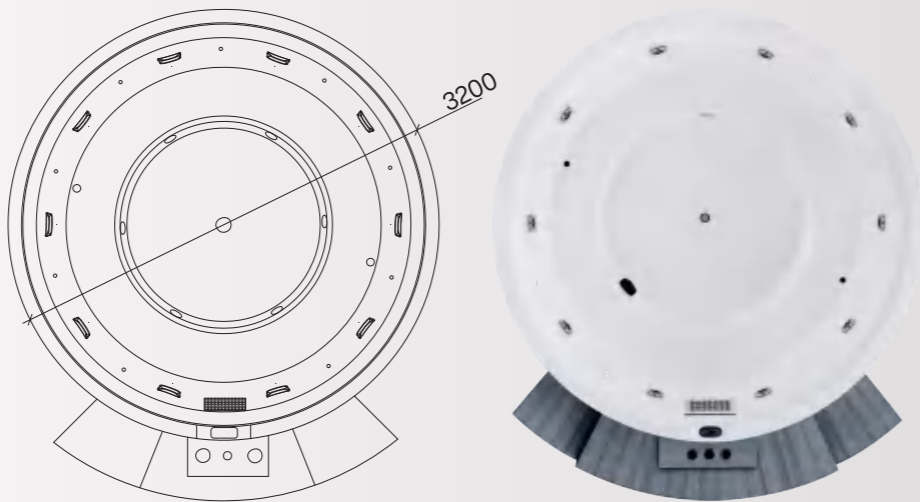
VS-CP2800 $\phi 2800 \times 1050 \text{mm}$

Standard Shell	Chinese white acrylic
Control System	1 set (KL2022)
Heater	3 kW \times 1 set
Water Pump	1 pc (LP200)
Filter Pump	1 pc (JA50)
Water Drainer	1" \times 4 pcs
Jet	4.5" \times 11 pcs
LED Lights	LED: 1 pc / Small LED: 10 pcs
Ozone	1 set
Sand Filter	1 set
Total Power	4.875 kW



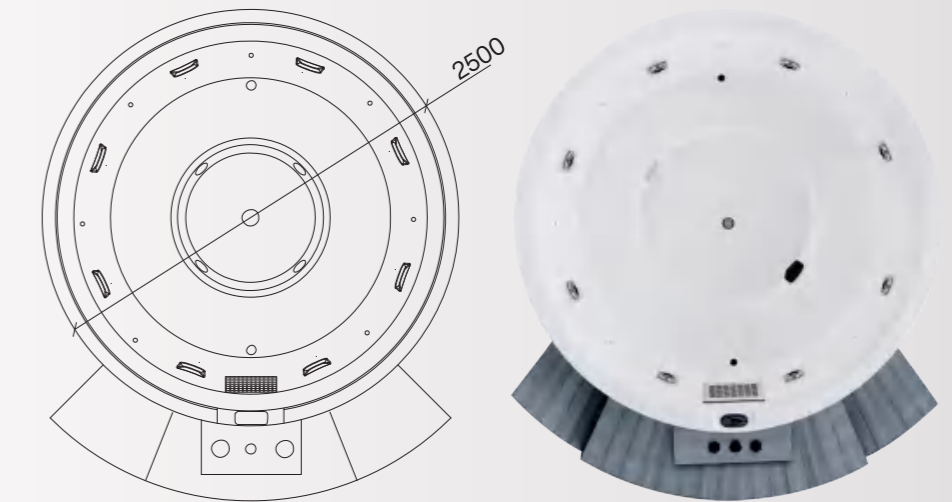
VS-CP3200 $\phi 3200 \times 1050 \text{mm}$

Standard Shell	Chinese white acrylic
Control System	1 set (KL2022)
Heater	3 kW \times 1 set
Water Pump	1 pc (LP200)
Filter Pump	1 pc (JA50)
Water Drainer	1" \times 4 pcs
Jet	4.5" \times 10 pcs
LED Lights	LED: 1 pc / Small LED: 9 pcs
Ozone	1 set
Sand Filter	1 set
Total Power	4.875 kW



VS-CP2500 $\phi 2500 \times 1050 \text{mm}$

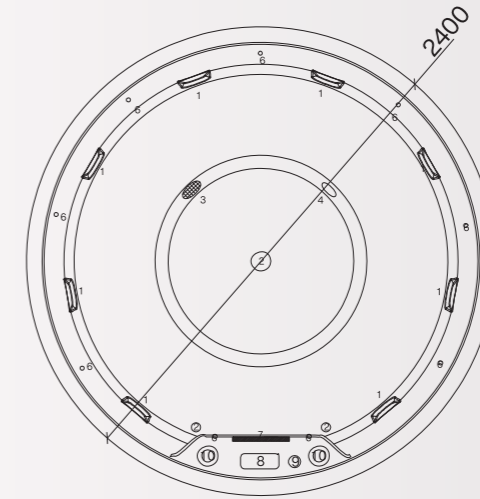
Standard Shell	Chinese white acrylic
Control System	1 set (KL2022)
Heater	3 kW \times 1 set
Water Pump	1 pc (LP200)
Filter Pump	1 pc (JA50)
Water Drainer	1" \times 4 pcs
Jet	4.5" \times 8 pcs
LED Lights	LED: 1 pc / Small LED: 7 pcs
Ozone	1 set
Sand Filter	1 set
Total Power	4.875 kW





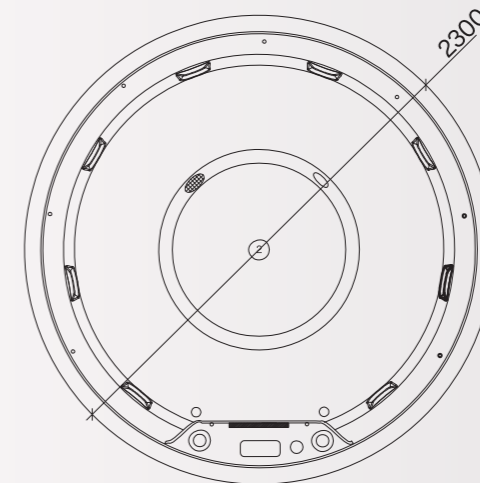
VS-CP2400 $\phi 2400 \times 900 \text{mm}$

Standard Shell	Chinese white acrylic
Control System	1 set (KL2022)
Heater	3 kW \times 1 set
Water Pump	1 pc (LP200)
Filter Pump	1 pc (JA50)
Water Drainer	1" \times 4 pcs
Jet	4.5" \times 8 pcs
LED Lights	LED: 1 pc / Small LED: 9 pcs
Ozone	1 set
Skirt	1 set
Total Power	4.875 kW



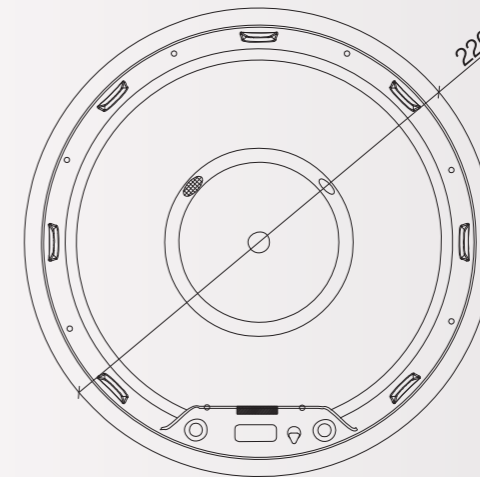
VS-CP2300 $\phi 2300 \times 900 \text{mm}$

Standard Shell	Chinese white acrylic
Control System	1 set (KL2022)
Heater	3 kW \times 1 set
Water Pump	1 pc (LP200)
Filter Pump	1 pc (JA50)
Water Drainer	1" \times 4 pcs
Jet	4.5" \times 8 pcs
LED Lights	LED: 1 pc / Small LED: 9 pcs
Ozone	1 set
Skirt	1 set
Total Power	4.875 kW



VS-CP2200 $\phi 2200 \times 900 \text{mm}$

Standard Shell	Chinese white acrylic
Control System	1 set (KL2022)
Heater	3 kW \times 1 set
Water Pump	1 pc (LP200)
Filter Pump	1 pc (JA50)
Water Drainer	1" \times 4 pcs
Jet	4.5" \times 7 pcs
LED Lights	LED: 1 pc / Small LED: 8 pcs
Ozone	1 set
Skirt	1 set
Total Power	4.875 kW





VS-CP2100 $\phi 2100 \times 900 \text{mm}$

Standard Shell	Chinese white acrylic
Control System	1 set (KL2022)
Heater	3 kW \times 1 set
Water Pump	1 pc (LP200)
Filter Pump	1 pc (JA50)
Water Drainer	1" \times 4 pcs
Jet	4.5" \times 7 pcs
LED Lights	LED: 1 pc / Small LED: 8 pcs
Ozone	1 set
Skirt	1 set
Total Power	4.875 kW



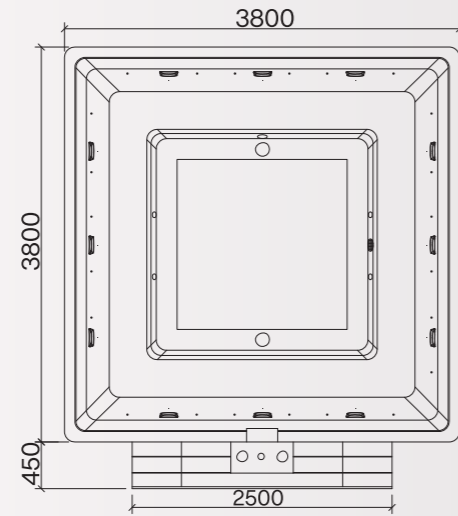
VS-CP2000 $\phi 2000 \times 900 \text{mm}$

Standard Shell	Chinese white acrylic
Control System	1 set (KL2022)
Heater	3 kW \times 1 set
Water Pump	1 pc (LP200)
Filter Pump	1 pc (JA50)
Water Drainer	1" \times 4 pcs
Jet	4.5" \times 7 pcs
LED Lights	LED: 1 pc / Small LED: 8 pcs
Ozone	1 set
Skirt	1 set
Total Power	4.875 kW



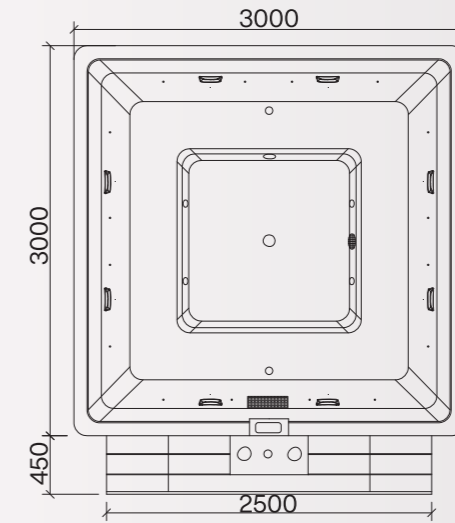
VS-SP3800 3800×3800×1050mm

Standard Shell	Chinese white acrylic
Control System	1 set (KL2022)
Heater	3 kW × 1 set
Water Pump	1 pc (LP200)
Filter Pump	1 pc (JA50)
Water Drainer	1" × 4 pcs
Jet	4.5" × 12 pcs
LED Lights	LED: 1 pc / Small LED: 23 pcs
Ozone	1 set
Sand Filter	1 set
Total Power	4.875 kW



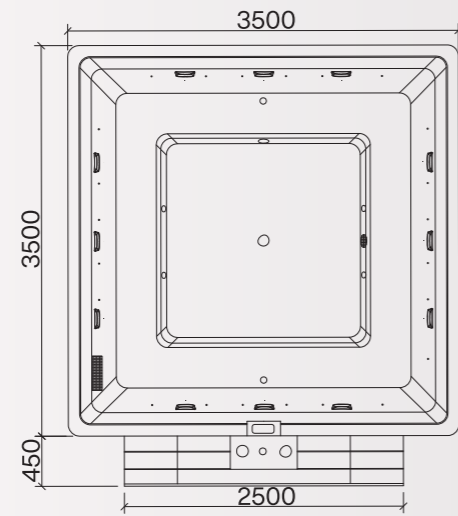
VS-SP3000 3000×3000×1050mm

Standard Shell	Chinese white acrylic
Control System	1 set (KL2022)
Heater	3 kW × 1 set
Water Pump	1 pc (LP200)
Filter Pump	1 pc (JA50)
Water Drainer	1" × 4 pcs
Jet	4.5" × 12 pcs
LED Lights	LED: 1 pc / Small LED: 14 pcs
Ozone	1 set
Sand Filter	1 set
Total Power	4.875 kW



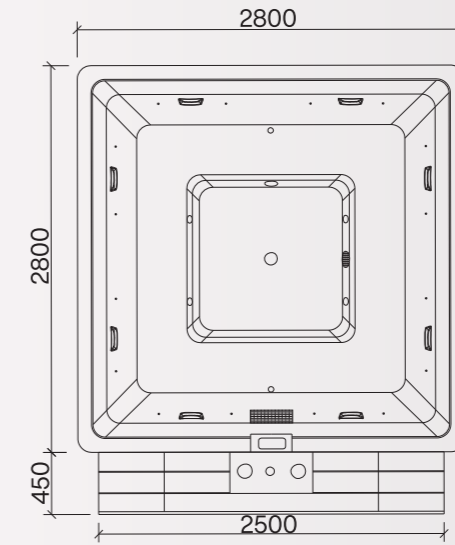
VS-SP3500 3500×3500×1050mm

Standard Shell	Chinese white acrylic
Control System	1 set (KL2022)
Heater	3 kW × 1 set
Water Pump	1 pc (LP200)
Filter Pump	1 pc (JA50)
Water Drainer	1" × 4 pcs
Jet	4.5" × 12 pcs
LED Lights	LED: 1 pc / Small LED: 23 pcs
Ozone	1 set
Sand Filter	1 set
Total Power	4.875 kW



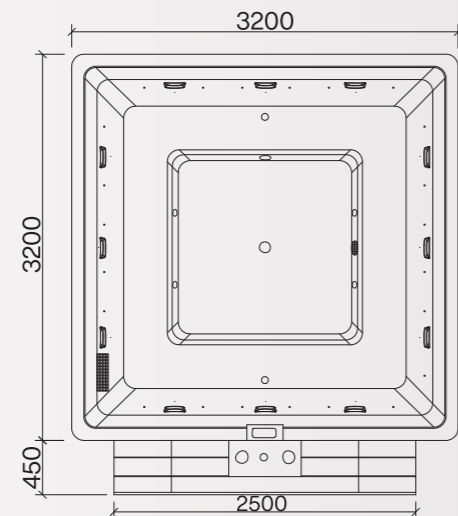
VS-SP2800 2800×2800×1050mm

Standard Shell	Chinese white acrylic
Control System	1 set (KL2022)
Heater	3 kW × 1 set
Water Pump	1 pc (LP200)
Filter Pump	1 pc (JA50)
Water Drainer	1" × 4 pcs
Jet	4.5" × 12 pcs
LED Lights	LED: 1 pc / Small LED: 14 pcs
Ozone	1 set
Sand Filter	1 set
Total Power	4.875 kW



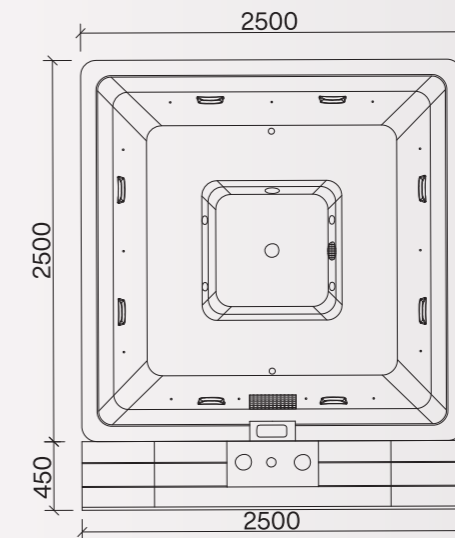
VS-SP3200 3200×3200×1050mm

Standard Shell	Chinese white acrylic
Control System	1 set (KL2022)
Heater	3 kW × 1 set
Water Pump	1 pc (LP200)
Filter Pump	1 pc (JA50)
Water Drainer	1" × 4 pcs
Jet	4.5" × 12 pcs
LED Lights	LED: 1 pc / Small LED: 23 pcs
Ozone	1 set
Sand Filter	1 set
Total Power	4.875 kW



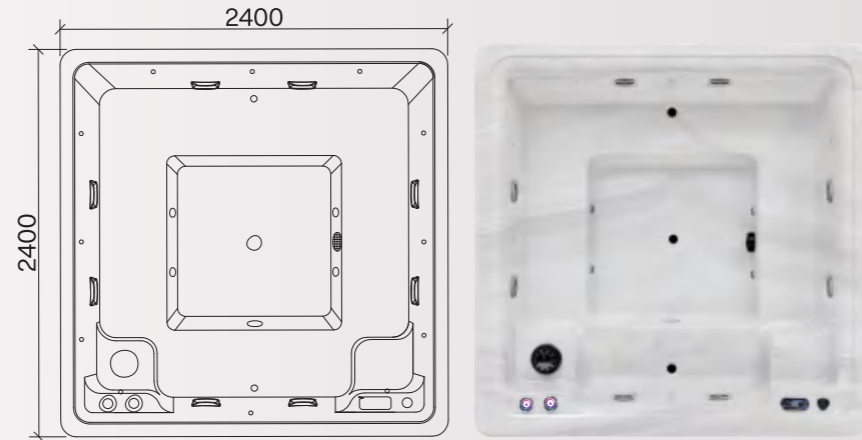
VS-SP2500 2500×2500×1050mm

Standard Shell	Chinese white acrylic
Control System	1 set (KL2022)
Heater	3 kW × 1 set
Water Pump	1 pc (LP200)
Filter Pump	1 pc (JA50)
Water Drainer	1" × 4 pcs
Jet	4.5" × 12 pcs
LED Lights	LED: 1 pc / Small LED: 11 pcs
Ozone	1 set
Sand Filter	1 set
Total Power	4.875 kW



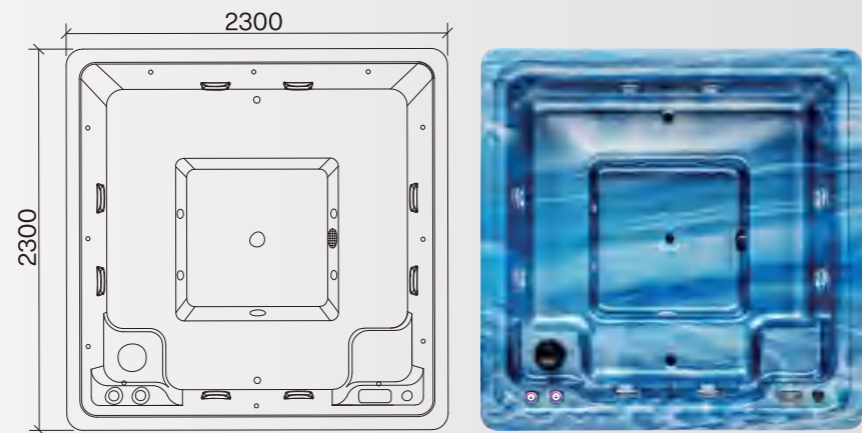
VS-SP2400 2400×2400×900mm

Standard Shell	Chinese white acrylic
Control System	1 set (KL2022)
Heater	3 kW × 1 set
Water Pump	1 pc (LP200)
Filter Pump	1 pc (JA50)
Water Drainer	1" × 4 pcs
Jet	4.5" × 8 pcs
LED Lights	LED: 1 pc / Small LED: 12 pcs
Ozone	1 set
Skirt	1 set
Total Power	4.875 kW



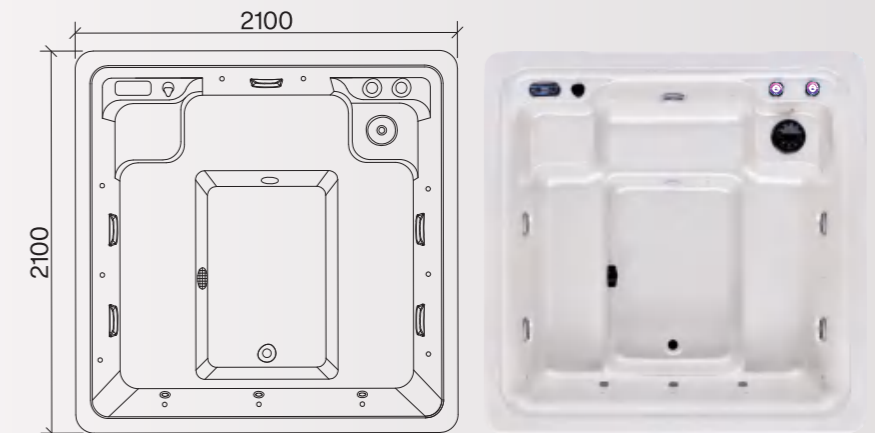
VS-SP2300 2300×2300×900mm

Standard Shell	Chinese white acrylic
Control System	1 set (KL2022)
Heater	3 kW × 1 set
Water Pump	1 pc (LP200)
Filter Pump	1 pc (JA50)
Water Drainer	1" × 4 pcs
Jet	4.5" × 8 pcs
LED Lights	LED: 1 pc / Small LED: 12 pcs
Ozone	1 set
Sand Filter	1 set
Total Power	4.875 kW



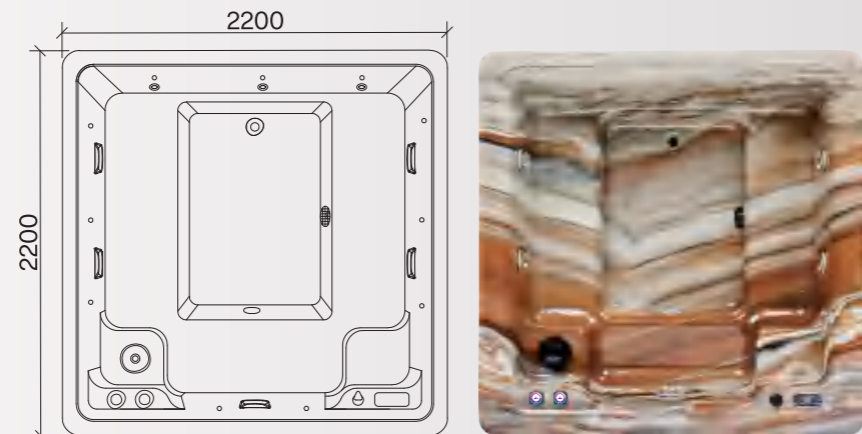
VS-SP2100 2100×2100×900mm

Standard Shell	Chinese white acrylic
Control System	1 set (KL2022)
Heater	3 kW × 1 set
Water Pump	1 pc (LP200)
Filter Pump	1 pc (JA50)
Water Drainer	1" × 3 pcs
Jet	4.5" × 5 pcs
LED Lights	LED: 1 pc / Small LED: 11 pcs
Ozone	1 set
Skirt	1 set
Total Power	4.875 kW



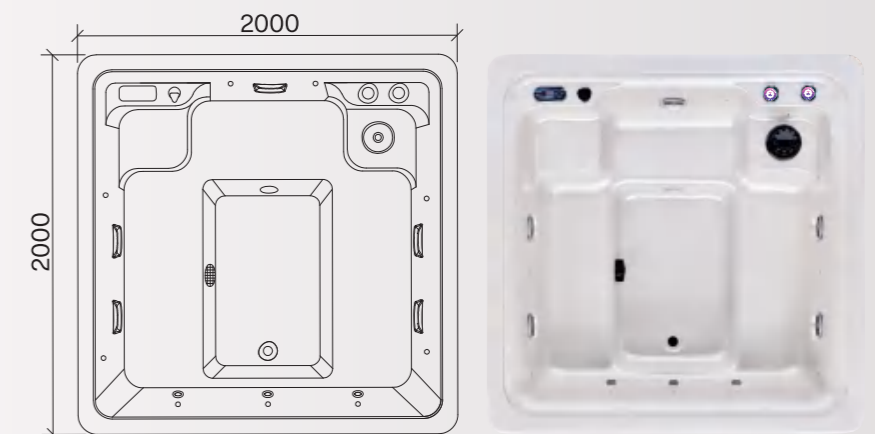
VS-SP2200 2200×2200×900mm

Standard Shell	Chinese white acrylic
Control System	1 set (KL2022)
Heater	3 kW × 1 set
Water Pump	1 pc (LP200)
Filter Pump	1 pc (JA50)
Water Drainer	1" × 3 pcs
Jet	4.5" × 5 pcs
LED Lights	LED: 1 pc / Small LED: 11 pcs
Ozone	1 set
Sand Filter	1 set
Total Power	4.875 kW



VS-SP2000 2000×2000×900mm

Standard Shell	Chinese white acrylic
Control System	1 set (KL2022)
Heater	3 kW × 1 set
Water Pump	1 pc (LP200)
Filter Pump	1 pc (JA50)
Water Drainer	1" × 3 pcs
Jet	4.5" × 5 pcs
LED Lights	LED: 1 pc / Small LED: 11 pcs
Ozone	1 set
Skirt	1 set
Total Power	4.875 kW





Sauna Room

Redefining Wellness And Relaxation

VS-200180

Size: W2000×D1800×H2100mm



Premium Heater
Harvia™ 9kW



High Quality Wood
Canadian Hemlock



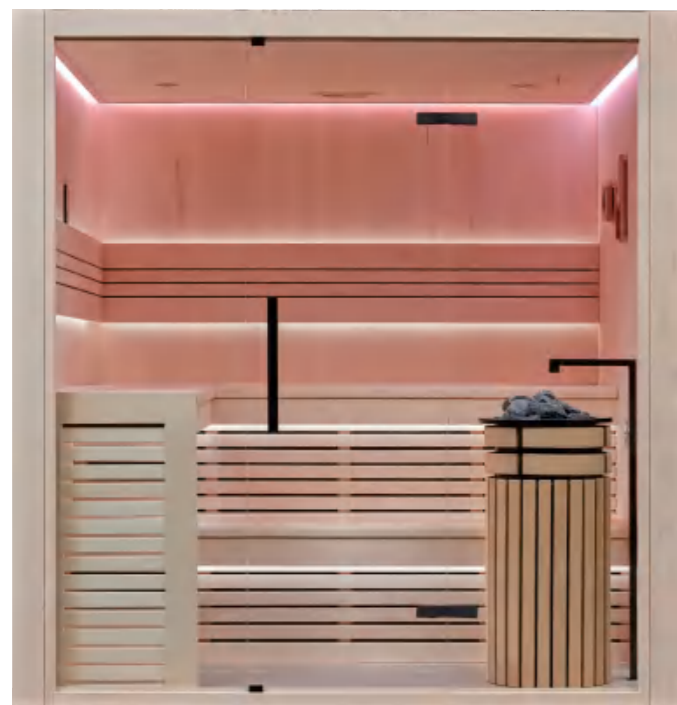
Tempered Glass
8mm in thickness



Traditional Saunas
Next-level comfort



Capacity
4-6 person



Vibrant Multi-Color LED

A premium LED lighting system provides gentle, even light to create a soothing and inviting sauna ambiance.



Control System

An intuitive smart control panel allows you to easily customize the temperature, humidity, and lighting to your preference.



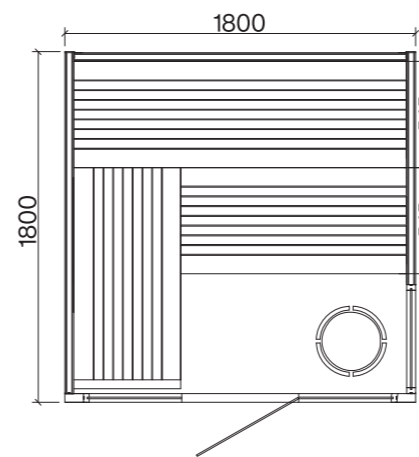
Sauna Heater

A carefully crafted wooden frame provides secure and stable housing for the heater, combining safety with enduring construction.



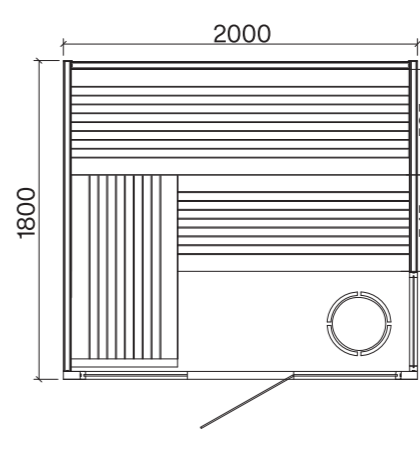
VS-180180

Size: W1800×D1800×H2100



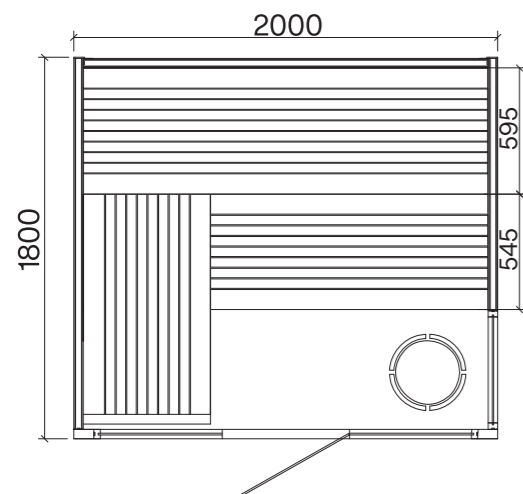
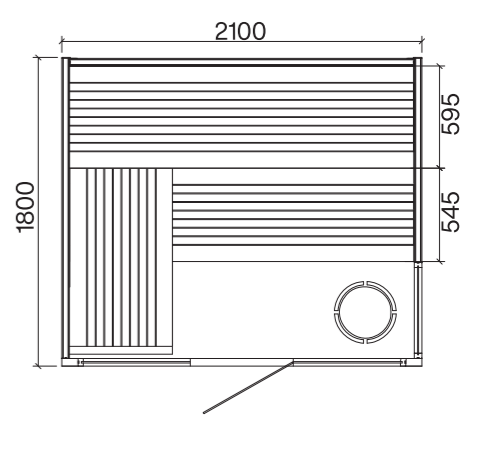
VS-200180

Size: W2000×D1800×H2100



VS-210180

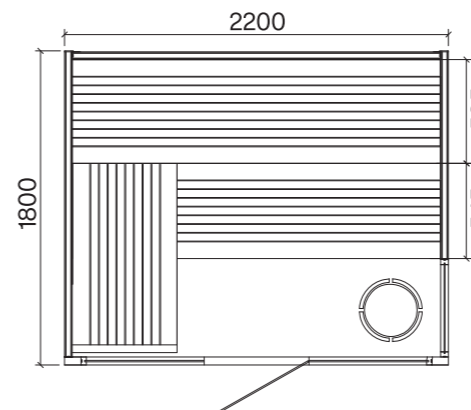
Size: W2100×D1800×H2100



Control System	1set
Sauna Heater	9kW × 1set
Ambient LED Lighting Strips	Ceiling, seat & backrest × 1set
Reading Light	1set
Built-in Speaker	2sets
Stainless Steel Handles	1set
Stainless Steel Hinges	2sets

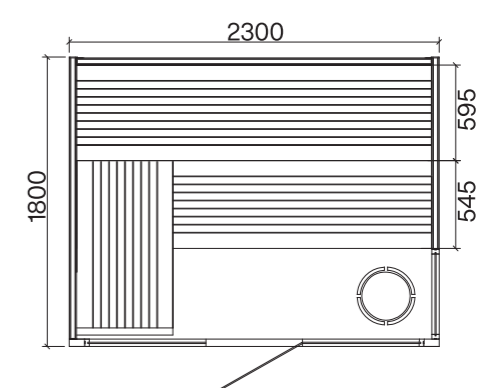
VS-220180

Size: W2200×D1800×H2100



VS-230180

Size: W2300×D1800×H2100



VS-120110

Size: W1200×D1100×H1900mm



Premium Heater
Harvia™ 3kW



High Quality Wood
Canadian Hemlock



Tempered Glass
8mm in thickness



Traditional Saunas
Next-level comfort

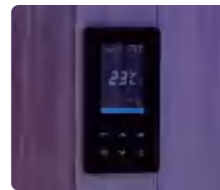


Capacity
1-2 person



Vibrant Multi-Color LED

A premium LED lighting system provides gentle, even light to create a soothing and inviting sauna ambiance.



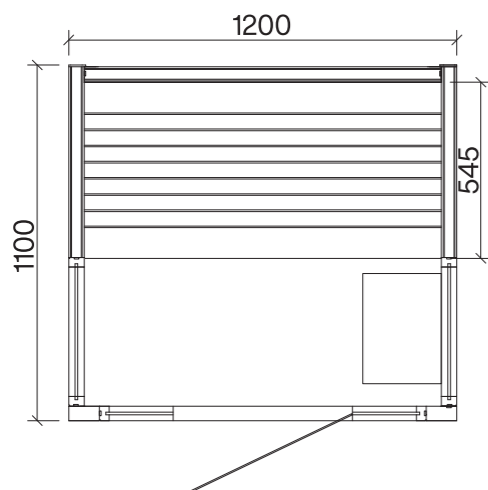
Control System

An intuitive smart control panel allows you to easily customize the temperature, humidity, and lighting to your preference.



Sauna Heater

Harvia™ heaters are the enduring source of true, deep heat - crafted to deliver the quintessential sauna moment, every time.

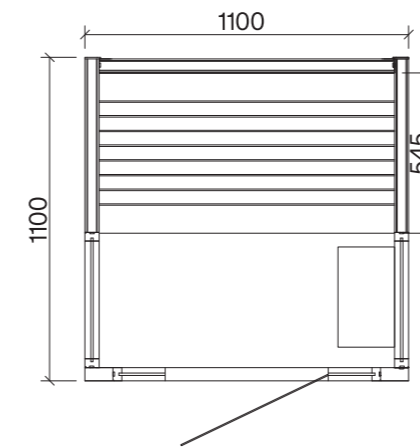


Control System	1 set
Sauna Heater	3kW × 1 set
Ambient LED Lighting Strips	Ceiling, seat & backrest × 1 set
Reading Light	1 set
Built-in Speaker	2 sets
Stainless Steel Handles	1 set
Stainless Steel Hinges	2 sets



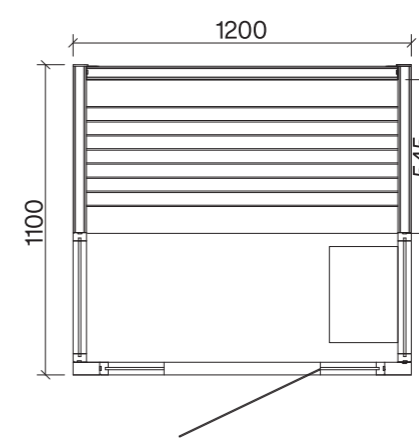
VS-100110

Size: W1000×D1100×H1900



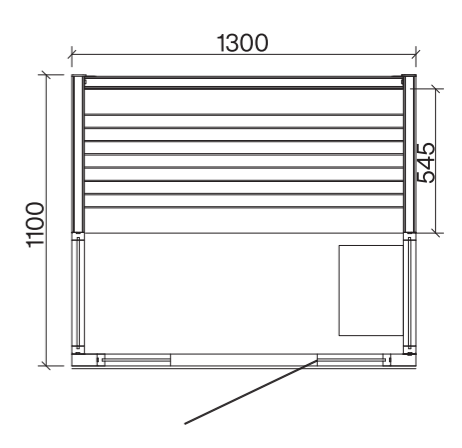
VS-120110

Size: W1200×D1100×H1900



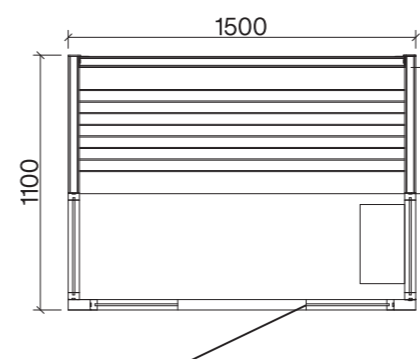
VS-130110

Size: W1300×D1100×H1900



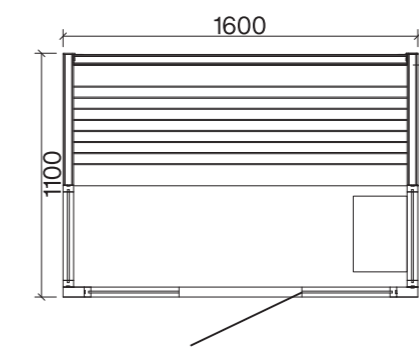
VS-150110

Size: W1500×D1100×H1900



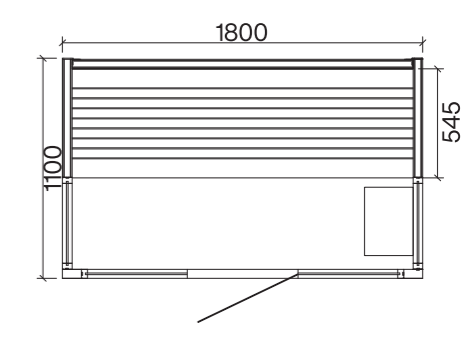
VS-160110

Size: W1600×D1100×H1900



VS-180110

Size: W1800×D1100×H1900



VS-180150

Size: W1800×D1500×H2100mm



Premium Heater
Harvia™ 6kW



High Quality Wood
Canadian Hemlock



Tempered Glass
8mm in thickness



Traditional Saunas
Next-level comfort

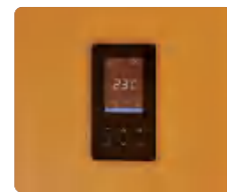


Capacity
3-4 person



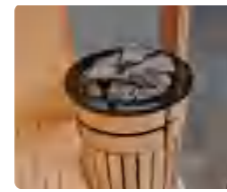
Vibrant Multi-Color LED

A premium LED lighting system provides gentle, even light to create a soothing and inviting sauna ambiance.



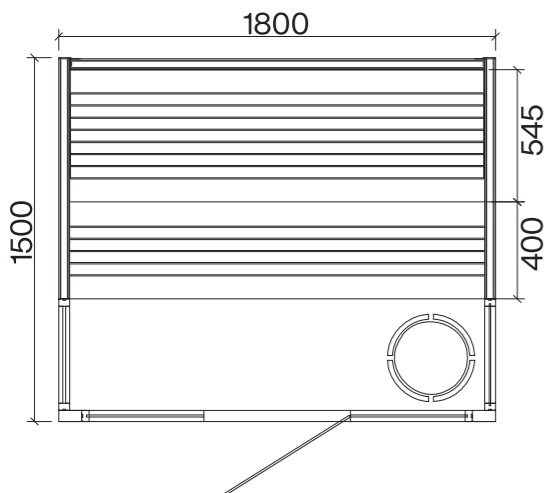
Control System

An intuitive smart control panel allows you to easily customize the temperature, humidity, and lighting to your preference.



Sauna Heater

A carefully crafted wooden frame provides secure and stable housing for the heater, combining safety with enduring construction.

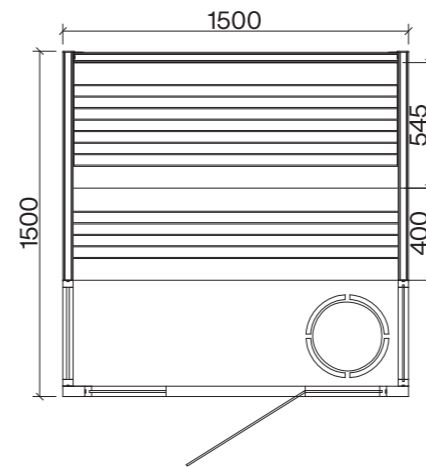


Control System	1 set
Sauna Heater	6kW × 1 set
Ambient LED Lighting Strips	Ceiling, seat & backrest × 1 set
Reading Light	1 set
Built-in Speaker	2 sets
Stainless Steel Handles	1 set
Stainless Steel Hinges	2 sets



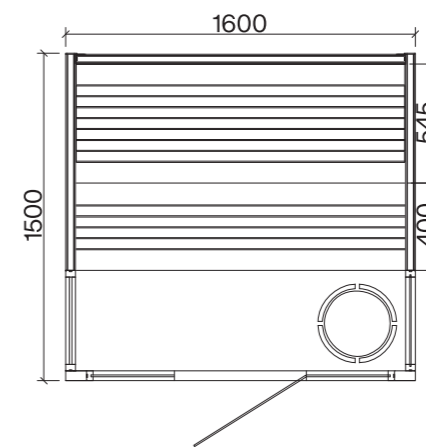
VS-150150

Size: W1500×D1500×H2100



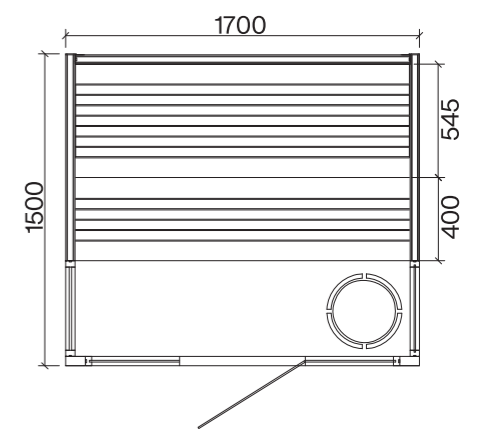
VS-160150

Size: W1600×D1500×H2100



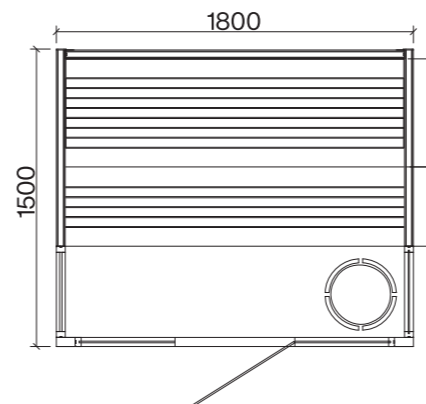
VS-170150

Size: W1700×D1500×H2100



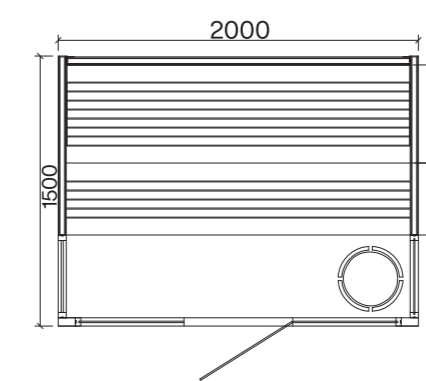
VS-180150

Size: W1800×D1500×H2100



VS-200150

Size: W2000×D1500×H2100



VS-220150

Size: W2200×D1500×H2100

