

河南山腾机械设备有限公司保留对本图册的最终解释权，如有变动，恕不另行通知，请以实物为准！



河南山腾机械设备有限公司

Henan Centbro Machinery (STM) Equipment Co., Ltd



河南山腾机械设备有限公司

地址：中国·河南·郑州市高新技术开发区
邮编：450000
电话：0086-371-55612153
邮箱：admin@centbro.com
Web：<http://www.stmcrusher.cn> (中文)
<http://www.centbrocrusher.com> (英语)
<http://www.centbro.ru> (俄语)

Henan Centbro Machinery (STM) Equipment Co., Ltd

Add: High-tech Development Zone, Zhengzhou
City, Henan, China
Post Code: 450000
Tel: 0086-371-55612153
E-mail: admin@centbro.com
Website: <http://www.stmcrusher.cn> (中文)
<http://www.centbrocrusher.com> (英语)
<http://www.centbro.ru> (俄语)



公司简介 COMPANY PROFILE

河南山腾机械设备有限公司，是一家集研发、生产、销售为一体的现代化矿山设备企业。公司总部位于郑州国家高新技术产业开发区，占地8000平方米。公司致力于设计生产破碎机，球磨机、烘干机等矿山机械及配套设备。公司率先通过ISO9001:2008国际质量管理体系认证以及欧盟CE证书等多项认证，在不断扩大国内市场的同时，产品还不断出口到加拿大，俄罗斯，哈萨克斯坦，菲律宾，中东，南美洲，非洲等30多个国家和地区，深受用户好评。

公司拥有一支经验丰富、技术精湛的销售服务队伍和完善的销售服务网络。购机后，公司将指派专业的售后服务人员到达现场指导客户安装调试和规划管理设备。

河南山腾机械设备有限公司的全体员工正以饱满的热情，崭新的精神面貌，勤奋的工作态度，提升团队学习能力，以“质量、服务、诚信”为经营宗旨，众志成城，努力把企业做强、做精、做优。

客户的成功是我们公司成功的基础和最高最求。欢迎国内外客户来我公司考察、指导、洽谈业务。

Henan Centbro Machinery (STM) Equipment Co., Ltd. is a modern mining equipment enterprise integrating R & D, production and sales together. The company is located in Zhengzhou National High-tech Development Zone, covering an area of 8,000 square meters. The company is professional in designing and manufacturing mining machinery and supporting equipment such as crushers, ball mills and dryers. The company took the lead in passing ISO 9001: 2008 international quality management system certification and EU CE certificate and other certifications. While expanding the domestic market, the products are continuously exported to Russia, Kazakhstan, Philippines, Middle East, South America, Africa and many countries and regions, well received by users.

Our company has an experienced and skilled after sales service team and a comprehensive sales service network. After the purchase, the company will assign professional after-sales service engineers to the site for installing and commissioning the machine till the customer can operate the machine.

All employees of Henan Centbro Machinery (STM) Equipment Co., Ltd. are full of enthusiasm, a new spirit, a diligent working attitude, improving the team's learning ability, and taking "quality, service, integrity" as the business purpose, and uniting their efforts to strengthen the enterprise, Do fine, do excellent.

The success of our customers is the foundation and the highest priority of our company's success. Welcome customers at home and abroad to come to our company to inspect, guide and negotiate business.

目录 CATALOG

颚式破碎机 Jaw Crusher	01
欧版颚式破碎机 European Jaw Crusher	03
反击式破碎机 Impact Crusher	04
弹簧圆锥破碎机 Spring Cone Crusher	05
西蒙斯圆锥破碎机 CS Simons Cone Crusher	06
多缸液压圆锥破碎机 Multi Cylinder Hydraulic Cone Crusher	07
VSI冲击式制砂机 VSI Impact Sand Making Machine	09
振动给料机 Vibrating Feeder	10
圆振动筛 Circular Vibrating Screen	11
螺旋洗砂机 Spiral Sand Washing Machine	12
斗式洗砂机 Bucket Sand Washing Machine	12
皮带输送机 Belt Conveyor	13
三环磨粉机 Three Ring Mill	14
球磨机 Ball Mill	15
高压磨粉机 High Pressure Pulverizer	17
欧版磨粉机 European Mill	19
布袋除尘器 Dust Collector	21
滚筒烘干机 Rotary Dryer	22
三筒烘干机 Three Cylinder Dryer	22
轮胎式移动破碎站 Tyre Type Mobile Crushing Station	23
石料生产线 Stone Production Line	25
制砂生产线 Sand Making Line	25
工程案例 Engineering Case	26

生产现场 | Production site



生产现场 | Production site



颞式破碎机 | Jaw Crusher

颞式破碎机（简称鄂破机）主要用于各种矿石与大块物料的中等粒度破碎，可破碎抗压强度不大于320 Mpa的物料，分粗破和细破两种。PE系列颞式破碎机规格齐全，其给料粒度125mm~1200mm。是初级破碎首选设备。颞式破碎机(鄂破机)广泛运用于矿山、冶金、建材、公路、铁路、水利和化工等多种行业。大中型颞式破碎机是我公司的拳头产品之一，尤其在设计和生产大型颞式破碎机方面，在国内外已处于绝对领先水平。



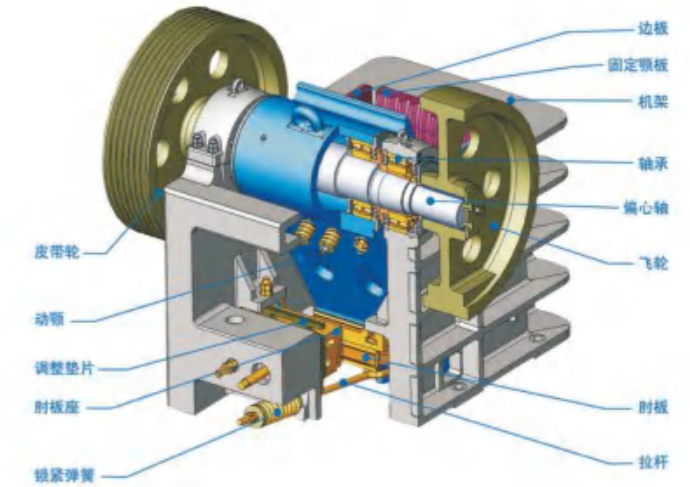
Cavity jaw crusher is mainly used for all kinds of ores and medium - size bulk materials broken, can be broken compressive strength is not more than 320Mpa materials, divided into coarse and fine broken two broken. PE series crusher machine specification is complete, the particle size is 125mm - 1200mm, primary crushing equipment is preferred. Jaw crusher (jaw crusher) is widely used in mining, metallurgy, building materials, highway, railway, water conservancy and chemical industries. Large and medium-sized jaw crusher is one of the main products of our company, especially in the design and production of large jaw crusher, both at home and abroad have an absolutely leading level.

产品特点 Product characteristics

颞式破碎机的工作部分是两块颞板，一是固定颞板（定颞），垂直（或上端略外倾）固定在机体前壁上，另一是活动颞板（动颞），位置倾斜，与固定颞板形成上大下小的破碎腔（工作腔）。颞式破碎机破碎方式为曲动挤压型，电动机驱动皮带和皮带轮，通过偏心轴使动颞上下运动，当动颞上升时肘板和动颞间夹角变大，从而推动动颞板向定颞板接近，与此同时物料被挤压、搓、碾等多重破碎；当动颞下行时，肘板和动颞间夹角变小，动颞板在拉杆、弹簧的作用下离开定颞板，此时已破碎物料从破碎腔下口排出，随着电动机连续转动破碎机动颞作周期性的压碎和排料，该破碎机实现批量生产。



The working part of jaw crusher is composed of two jaw plates, one is fixed jaw plate (fixed jaw), which is fixed on the front wall of the machine body vertically (or slightly tilted at the upper end), the other is movable jaw plate (movable jaw), which is inclined in position and forms a large and small crushing cavity (working cavity) with fixed jaw plate. The jaw crusher is of the curved extrusion type. The motor drives the belt and pulley to make the moving jaw move up and down through the eccentric shaft. When the moving jaw rises, the angle between the elbow plate and the moving jaw increases, so as to push the moving jaw plate close to the fixed jaw plate. At the same time, the material is crushed, rubbed, rolled and other multiple crushing. When the moving jaw goes down, the angle between the elbow plate and the moving jaw decreases, and the moving jaw plate is in the pull rod Under the action of spring, it leaves the fixed jaw plate. At this time, the crushed materials are discharged from the lower opening of the crushing chamber. With the continuous rotation of the motor, the motor jaw of the crusher is used for periodic crushing and discharging, and the crusher realizes mass production.



主要技术参数 Main technical parameters

型号规格 Model	进料口尺寸 Feed Inlet size (mm)	最大进料尺寸 Inlet feeding Length (mm)	出料口尺寸 Discharge port size (mm)	处理能力 Handling capacity (t/h)	偏心轴转速 Eccentric shaft speed (r/min)	电机功率 Motor Power (kw)	重量 Weight (t)	外形尺寸 Overall dimensions (L×W×H)(mm)
PE150×250	150×250	125	10-40	1-3	250	5.5	0.8	720×660×850
PE200×300	200×300	180	15-50	2-6	260	7.5	1.2	910×750×990
PE200×350	200×350	180	18-70	3-10	260	11	1.5	1000×870×990
PE250×400	400×250	200	20-50	5-20	300	15	3	1430×1310×1340
PE400×600	400×600	350	40-100	15-60	275	30-37	7	1700×1732×1653
PE500×750	500×750	425	50-100	40-110	275	45-55	12	2035×1921×2000
PE600×900	600×900	480	65-160	90-180	250	55-75	17	2290×2206×2370
PE750×1060	750×1060	630	80-140	110-320	250	90-110	29	2655×2302×3110
PE900×1200	900×1200	750	95-165	220-450	200	110-132	58	3800×3166×3045
PE1000×1200	1000×1200	850	200-300	280-560	200	110-160	69	5350×4280×3050
PE1200×1500	1200×1500	1020	150-300	400-800	180	160-220	100.9	6380×5310×3710
PE1500×1800	1500×1800	1200	210-360	520-1100	280	280	132	7460×6235×4249
PEX150×750	150×750	125	18-48	5-16	320	15	3.8	1200×1500×1200
PEX250×750	250×750	210	25-60	15-30	330	22-30	5	1667×1545×1020
PEX250×1000	250×1000	210	25-60	15-50	330	30-37	7	1550×1946×1380
PEX250×1200	250×1200	210	25-60	20-60	330	37-45	8.5	2192×1900×1950
PEX300×1300	300×1300	250	20-90	30-90	300	55-75	11.5	1750×2320×1724

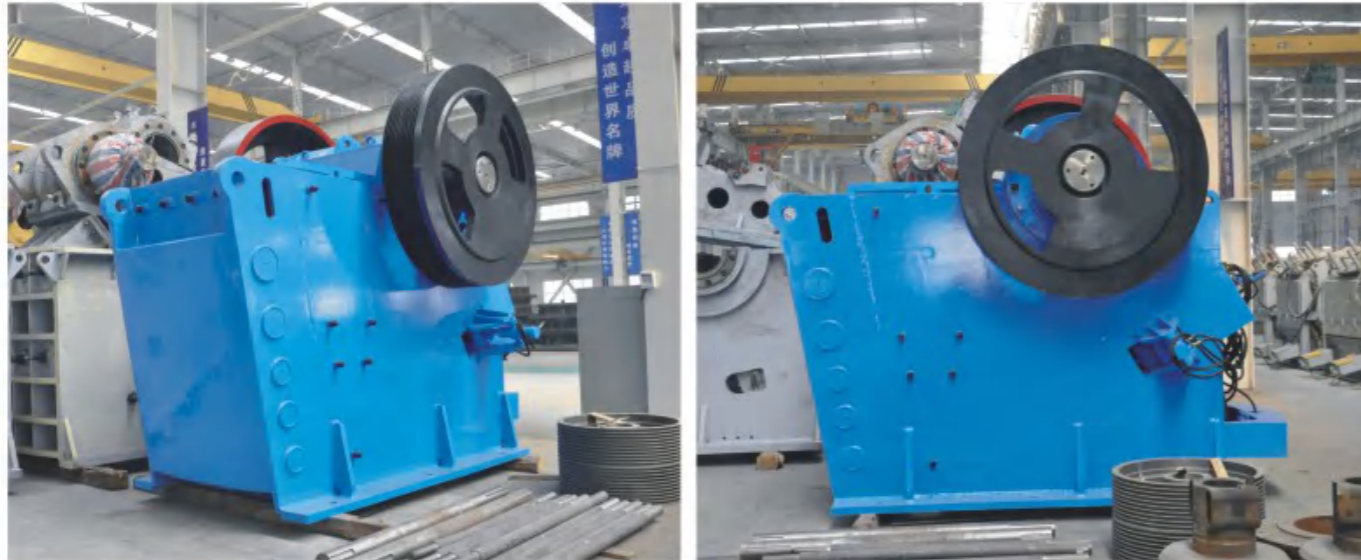
欧版颚式破碎机 | European Jaw Crusher

PEW欧版颚式破碎机是我公司在吸收欧美先进颚式破碎机技术基础上，经过优化设计研发生产的新一代高效颚式破碎机。

1. 机架使用加强型焊接结构，轴承座为整体式铸钢结构，使设备具有更高的耐冲击性，故障率低，可靠性高。
2. 对称的“V”型破碎腔设计，使产量更高，出料粒度更加均匀。
3. 排料口调节使用楔块调整装置，使调节操作更加简单，安全和快捷。

PEW European jaw crusher is a new type of jaw crusher designed and produced by our company on the basis of absorbing advanced jaw crusher technology from Europe.

1. The machine frame is of reinforced welded structure, bearing block is of integral cast steel structure, make the equipment have higher impact resistance, low failure rate and high reliability.
2. Symmetrical "V" type crushing cavity design, make crushing ratio bigger, capacity higher and output particle size more uniform.
3. Wedge adjustment device is adopted in the adjustment of discharge mouth, which makes the adjustment operation much easier, safer and faster.



主要技术参数 Main technical parameters

型号规格 Model	进料口 尺寸Feed inlet size mm	最大进料 尺寸The maximum feed size mm	排料口调整 范围Discharge port adjusting range	偏心轴 转速 Eccentric shaft speed	理论生 产能力 Theory of birth Production capacity	电动机 Electric Motor		外形尺寸 Overall dimensions (L x W x H) mm	重量 Weight (t)
						功率 Power(kw)	转速 Rotation		
PEW180 x 1300	180 x 1300	150	10-30	320	12-35	30	980	1320 x 2150 x 1175	6
PEW250 x 1000	250 x 1000	220	20-40	330	15-50	37	980	1400 x 1850 x 1310	5.6
PEW250 x 1200	250 x 1200	220	20-40	330	20-50	37	980	1400 x 2050 x 1310	6
PEW400 x 600	400 x 600	350	35-85	250	15-70	37	980	1920 x 1460 x 1840	6.8
PEW760 x 1100	760 x 1100	620	75-200	270	150-350	110-132	985	2600 x 2500 x 2200	24
PEW860 x 1100	860 x 1100	720	100-225	240	200-500	132-160	985	3300 x 2320 x 3120	32
PEW1100 x 1200	1100 x 1200	930	150-275	210	300-650	185-200	740	4140 x 2660 x 3560	59.2

反击式破碎机 | Impact Crusher



产品特点 Product characteristics

反击式破碎机（反击破）能处理边长不超过500mm、抗压强度不超过350MPa的各种粗中、细物料（花岗岩、石灰石、混凝土等），广泛应用于各种矿石破碎、铁路、高速公路和建筑行业人工砂石料的生产。反击式破碎机（反击破）是我公司在吸收国内外先进技术，结合国内砂石行业具体工矿条件而研制的最新一代反击式破碎机。

Impact crusher various processing length of not more than 500mm, the compressive strength of more than 350MPa thick, fine materials (granite, limestone, cement and so on), widely used in all kinds of ore crushing, railway, highway and construction of artificial aggregate production. Impact crusher is my company to absorb domestic and foreign advanced technology, combined with the sand industry specific mining conditions and the latest generation of counter-developed crusher.

主要技术参数 Main technical parameters

型号 Model	规格 Specification (mm)	进料口尺寸 Inlet size (mm)	最大进料粒度 Max Feeding Size (mm)	生产能力 Production capacity (t/h)	偏心轴转速 Eccentric shaft speed(r/min)	功率 Power(kw)	重量 Weight (t)	外形尺寸 Overall dimensions (L x W x H)(mm)
PF-1007	Φ1050 x 700	400 x 730	250	15-60	15-60	37-55	9.5	2210 x 1490 x 2670
PF-1010	Φ1000 x 1050	400 x 1080	300	50-90	50-90	55-75	14	2390 x 2040 x 2600
PF-1210	Φ1250 x 1050	400 x 1080	300	70-130	70-130	110-132	17	2660 x 2640 x 2840
PF-1214	Φ1250 x 1400	400 x 1430	300	90-180	90-180	132-160	22	2280 x 2660 x 2800
PF-1315	Φ1320 x 1500	860 x 1520	350	120-250	120-250	180-260	26	3320 x 2700 x 2635
PF-1320	Φ1320 x 2000	860 x 2030	500	160-350	160-350	300-375	30	3329 x 3205 x 3279

弹簧圆锥破碎机 | Spring Cone Crusher

产品特点 | Product characteristics

弹簧圆锥破碎机广泛用于矿山、冶金、建筑、筑路、化学及硅酸盐行业，破碎中等以上硬度的各种矿石和岩石，具有结构可靠、生产效率高、调整方便、使用经济等特点。其弹簧保险系统是过载保护装置，可使异物铁块通过破碎腔而不危害机器，采用干油或水两种密封形式，使石粉与润滑油隔离，保证可靠工作。破碎腔形式由矿石用途决定，标准型一般用于粗、中碎，短头型用于中、细碎，可根据用户不同需求选购。

Spring cone crusher is widely used in mining, metallurgy, construction, road building, chemical and silicate industry, crushing moderate hardness of various minerals and rocks, which has the advantages of reliable, high production efficiency, convenient adjustment, the use of economic. The spring safety system is overload protection device, can make the body iron crushing cavity and not harm by the machine, by the dry oil or water two seal form, make the powder and oil isolation, ensure reliable work. The crushing cavity form determined by the use of standard type ore, generally used for coarse, medium crushing, short head for, fine, can choose according to different needs of the users.



主要技术参数 | Main technical parameters

型号 Model	圆锥直径 Fixed cone diameter(mm)	进料口尺寸 Inlet size (mm)	最大进料边长 Maximum feed side length(mm)	出口口调节范围 Adjusting range of discharge port(mm)	处理能力 Processing power (t/h)	功率 Power(kw)	偏心轴转速 Eccentric shaft speed(r/min)	重量 Weight (t)	外形尺寸 Overall dimensions (L×W×H)(mm)
PYB600	Φ600	75	65	12-15	40	30	356	5	2234 × 1370 × 1675
PYD600	Φ600	40	35	3-13	12-23	30	356	5.5	2234 × 1370 × 1675
PYB900	Φ900	135	115	15-50	50-90	55	333	11.2	2692 × 1640 × 2350
PYZ900	Φ900	70	60	5-20	20-65	55	333	11.2	2692 × 1640 × 2350
PYD900	Φ900	50	50	3-13	15-50	55	333	11.3	2692 × 1640 × 2350
PYB1200	Φ1200	170	145	20-50	110-168	110	300	24.7	2790 × 1878 × 2844
PYZ1200	Φ1200	115	100	8-25	42-135	110	300	25	2790 × 1878 × 2844
PYD1200	Φ1200	60	50	3-15	18-105	110	300	25.3	2790 × 1878 × 2844
PYB1750	Φ1750	250	215	25-50	280-480	160	245	50.3	3910 × 2894 × 3809
PYZ1750	Φ1750	215	185	10-30	115-320	160	245	50.3	3910 × 2894 × 3809
PYD1750	Φ1750	100	85	5-13	75-230	160	245	50.3	3910 × 2894 × 3809
PYB2200	Φ2200	350	300	30-60	590-1000	280/260	220	80	4622 × 3302 × 4470
PYZ2200	Φ2200	275	230	10-30	200-580	280/260	220	80	4622 × 3302 × 4470
PYD2200	Φ2200	130	100	5-15	120-340	280/260	220	81.4	4622 × 3302 × 4470

西蒙斯圆锥破碎机 | CS Simons Cone Crusher

高效圆锥破碎机是河南山腾根据客户的需求，基于层压破碎原理及多破少磨概念设计研发的集高摆频、优化腔型和合理冲程于一体的现代高性能弹簧圆锥破碎机。该机性能优点使其不仅能够碎石，而且还能制砂，真正做到了抗磨损与出料细的结合，是当今大型石料厂和矿业破碎的设备之一。该系列圆锥破碎机一般从事第二或第三阶段的破碎，尤其是对于中等硬度以上的物料更具有明显的破碎功效。该机不仅破碎比大，而且具有处理量大、运营成本低、工作效率高、调整方便等优点。



性能高 通过腔型优化设计以及采用合理速度与冲程相结合，从而使该机型在相同动锥直径的情况下做功多。因此，与同类型的圆锥破碎机相比，具有更高的性能和生产能力。

稳定性好 当有铁块等破碎物进入机内时，过铁保护装置会自动将其释放，然后自动复位。过铁保护具有固定的排料口返回点，杂铁通过破碎腔后，能够迅速恢复原有的排料口。

清腔方便 如果破碎机在负荷状态下停机，液压清腔系统可迅速清理破碎腔，大大减少了停机时间。

可靠性高 采用大直径主轴、重型化主机架以及独立的稀油润滑系统的自动控制系统，保证了设备坚固耐用，运行可靠。

维修方便 易于操作所有的部件均能够从上部或侧面拆装，从而定锥和动锥总成均可方便拆出。青铜滑动轴承在高冲击震动破碎环境中能够保持优异的承载性能，并且比滚动轴承更经济、维修更方便。

生产成本低 由于生产能力大，可靠性高，维修方便，大大降低了生产成本。

应用广泛 CS高效圆锥破碎机的特点在于使破碎机发挥出大性能以适用于各种破碎工艺：从粗碎到细碎，从固定式破碎到移动式破碎站。CS系列高效圆锥破碎机从特粗碎到细碎有各种腔型可供选择，因此可根据破碎工艺流程选择破碎腔型。

分体润滑 多点控制的独立稀油润滑系统，可确保该机型轴承润滑的双重保护，以及可实现整机自动安全保护。

主要技术参数 | Main technical parameters

规格 specifications	型号 model	腔型 Cavity type	排料口调节范围(mm)	给料尺寸 Feed size (mm)	处理 Processing (t/h)	电机功率 Motor power (kw)	外形尺寸(长×宽×高) Shape size (L×W×H) (mm)
CS-75	CSC-75	标准粗型	13-38	175	59-163	75	2656 × 1636 × 2241
	CSB-75	标准中型	9-22	102	45-91		
	CSD-75	短头中型	3-13	41	27-90		
CS-110	CSC-110	标准粗型	13-38	160	70-215	110	2290 × 1530 × 2036
	CSB-110	标准中型	10-25	115	55-135		
	CSD-110	短头中型	6-19	80	47-90		
CS-130	CSC-130	标准粗型	13-38	180	105-220	132	2630 × 1760 × 2212
	CSB-130	标准中型	10-25	130	72-170		
	CSD-130	短头中型	10-19	90	70-125		
CS-160	CSC-160	标准粗型	16-51	200	135-350	160	2860 × 2070 × 2623
	CSB-160	标准中型	13-25	150	105-180		
	CSD-160	短头中型	10-19	102	80-140		
CS-200	CSC-200	标准粗型	19-51	215	200-440	200	2830 × 2200 × 2783
	CSB-200	标准中型	16-25	160	160-230		
	CSD-200	短头中型	13-22	115	150-240		
CS-220	CSC-220	标准粗型	19-64	235	230-570	220	3360 × 2650 × 3050
	CSB-220	标准中型	19-38	175	215-330		
	CSD-220	短头中型	13-25	130	180-285		
CS-240	CSC-240	标准粗型	22-64	267	330-725	250	3580 × 2860 × 3680
	CSB-240	标准中型	16-25	203	240-330		
	CSD-240	短头中型	10-19	140	190-330		
CS-360	CSC-360	标准粗型	25-76	303	608-998	360	5110 × 4270 × 4350
	CSB-360	标准中型	31-89	334	789-1270		
	CSD-360	短头中型	10-29	150	352-617		

多缸液压圆锥破碎机 | Multi Cylinder Hydraulic Cone Crusher

产品介绍 Product introduction

多缸液压圆锥破碎机是引进德国最新的技术而开发的具有世界先进水平的高能圆锥破碎机，它是破碎速度、偏心距（冲程）以及高性能破碎腔型设计的圆满结合。它不但提高了生产能力和破碎效率，还扩大了应用范围，从石灰石到玄武岩，从石料生产到各种矿石破碎，它都可以在各种中碎、细碎、超细碎作业中提供无与伦比的破碎性能。其高转速、高破碎容量与独特的专利设计令破碎后的成品具有极其优质的立方体型，而易于维护的特点又可确保超凡的高稳定性操作，在世界各地享有盛名，是当今矿山建筑行业替代弹簧圆锥破碎机和更新一般液压圆锥破碎机的最新一代产品。

Multi cylinder hydraulic cone crusher is a world advanced high energy cone crusher developed by introducing the latest technology from Germany. It is a perfect combination of crushing speed, eccentricity (stroke) and high-performance crushing cavity design. It not only improves the production capacity and crushing efficiency, but also expands the scope of application. From limestone to basalt, from stone production to various ore crushing, it can provide unparalleled crushing performance in various medium crushing, fine crushing and ultra fine crushing operations. Its high-speed, high crushing capacity and unique patent design make the crushed products have extremely high-quality cubic shape, and the characteristics of easy maintenance can ensure extraordinary high stability operation. It is famous all over the world. It is the latest generation of products replacing spring cone crusher and renewing general hydraulic cone crusher in the mining construction industry.



产品特点 Product characteristics

多缸液压圆锥破碎机是我公司引进德国技术，结合中国金属材料的性能为满足发展中国家的需求而设计的一种高效破碎机。它具有如下特点：

- 1、高效率：该机采用固定主轴、小球面轴互等的优化结构，比老式弹簧圆锥破的效率离5%~15%。
- 2、生产能力大：该机将破碎冲程、破碎速度以及破碎腔形状的完美组合设计，使该机在破碎锥尺寸相同的情况下，比老式弹簧圆锥破的产量高35%~60%。
- 3、高质量的石子：该机采用特有的层压破碎原理，产生颗粒间的破碎作用，从而使成品申立方体所占的比例明显增高，针片状石子减少，粒级更为均匀。
- 4、更稳定的运行：当有铁块等不能破碎的硬物进入机内时，过铁保护装置会自动将其释放，然后立即复位。
- 5、多点分体的液压润滑控制系统，可确保该机轴承润滑的双重保护以及过载保护。

Multi cylinder hydraulic cone crusher is an efficient crusher designed by our company to meet the needs of developing countries by introducing German technology and combining with the properties of Chinese metal materials. It has the following characteristics:

1. High efficiency: the machine adopts the optimized structure of fixed main shaft and small spherical surface shaft, which is 5% ~ 15% higher than the old-fashioned spring cone breaking efficiency.

2. Large production capacity: the perfect combination design of crushing stroke, crushing speed and crushing chamber shape makes the output of the crusher 35% - 60% higher than that of the old-fashioned spring cone under the same crushing cone size.

3. High quality stones: This machine adopts the unique lamination crushing principle to produce the crushing effect between particles, so that the proportion of the finished product shencube is significantly increased, the needle flake stones are reduced, and the particle grade is more uniform.

4. More stable operation: when there are iron blocks and other hard objects that cannot be broken into the machine, the iron passing protection device will automatically release them, and then reset them immediately.

5. The multi-point hydraulic lubrication control system can ensure the double protection of bearing lubrication and overload protection.



多缸液压圆锥破碎机广泛应用于金属与非金属矿、水泥厂，砂石冶金等行业。适用中细碎普氏硬度 ≤5~16 的各种矿石和岩石，如铁矿石、有色金属矿石、花岗岩、石灰岩、石英岩、沙岩、鹅卵石等。

Multi cylinder hydraulic cone crusher is widely used in metal and non-metal ore, cement plant, sand metallurgy and other industries. It is applicable to all kinds of ores and rocks with medium and fine particle hardness ≤ 5 ~ 16, such as iron ore, nonferrous metal ore, granite, limestone, quartzite, sandstone, pebble, etc.

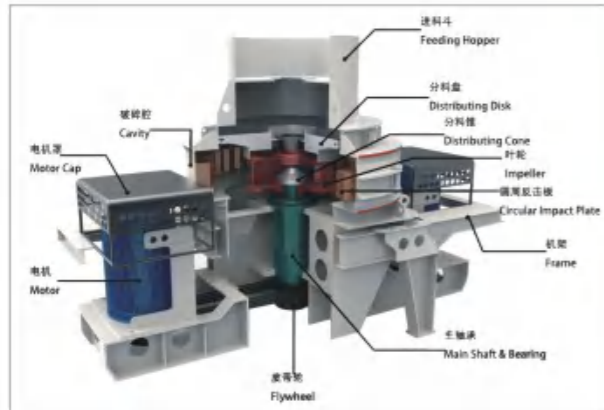
主要技术参数 Main technical parameters

型号 Model	破碎腔类型 Cavity type	最小排料口 Minimum discharge port (mm)	给料口 material inlet (mm)	产量 yield (t/h)	电机功率 power of motor (KW)	重量 weight (t)
HPT-200	F (细)	13	95	120-200	160	13.4
	M (中)	16	120	140-220		
	C (粗)	19	190	150-250		
HPT-300	F (超细)	10	80	100-240	250	18.1
	F (细)	13	105	110-260		
	M (中)	16	150	175-320		
	C (粗)	20	210	190-380		
HPT-400	EC (超粗)	25	230	220-440	315	26
	F (细)	14	110	185-345		
	M (中)	20	196	255-430		
	C (粗)	25	251	295-560		
HPT-500	EC (超粗)	30	295	325-630	400	37
	F (超细)	13	95	200-430		
	F (细)	16	135	280-455		
	M (中)	22	210	345-605		
	C (粗)	30	290	405-790		
	EC (超粗)	38	330	445-855		

VSI冲击式制砂机 | VSI Impact Sand Making Machine

VSI冲击式制砂机是德国权威专家结合中国的工况条件最新设计的成果，是目前国内独家生产的具有世界先进水平的高性能破碎设备。它是独特的转子结构设计、耐磨材料工艺、破碎速度优化以及液压设计的完美结合。是专业细碎技术与机械制造完美结合的典范，是新技术、新工艺的充分体现。在人工制砂行业，要生产理想的机制砂产品和混凝土骨料；在石料整形领域，要获得高品质、粒形好的碎石产品；VSI冲击式制砂机是最行之有效的一种选择。该机专为高速公路、高速铁路、高层建筑、市政、水电大坝建设、混凝土搅拌站提供优质砂石骨料，是人工制砂和石料整形领域的首选设备。

VSI impact sand making machine is the latest design result of German authoritative experts combined with China's working conditions, and it is the exclusive production of high-performance crushing equipment with the world's advanced level in China at present. It is a perfect combination of unique rotor structure design, wear-resistant material technology, crushing speed optimization and hydraulic design. It is a model of perfect combination of professional fine crushing technology and mechanical manufacturing, and a full embodiment of new technology and new process. In the field of artificial sand making, it is necessary to produce ideal machine-made sand products and concrete aggregates; in the field of stone shaping, it is necessary to obtain high-quality and fine-grained gravel products; VSI impact sand making machine is the most effective choice. This machine is specially designed to provide high-quality aggregate for expressway, high-speed railway, high-rise building, municipal administration, hydropower dam construction and concrete mixing station. It is the preferred equipment in the field of artificial sand making and stone shaping.



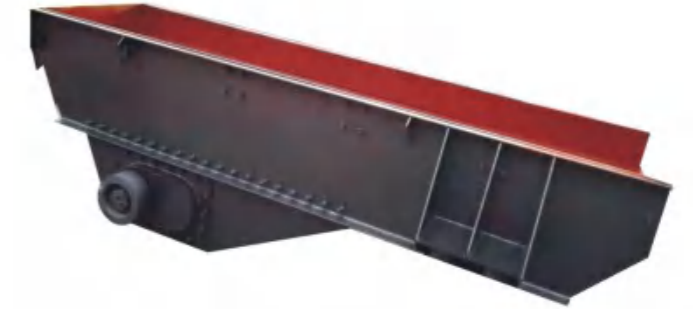
主要技术参数 Main technical parameters

型号 Model	生产能力 Capacity (t/h)		最大入料尺寸 Max Feed Size (mm)		转速 Rotation speed (r/min)	双电动机功率 Power for double motor (kW)	重量 Weight (t)	电源 Power Source	振动传感器 Vibration Sensor	释油润滑站 Lubrication hydraulic pressure station			外形尺寸 Overall Dimension (L x W x H) (mm)	
	瀑落与中心进料 Center and Ring feeding	全中心进料 Center feeding	软料 Soft material	硬料 Hard material						双电动机功率 Power for double oil pump	安全保护 Safety	外形尺寸 Dimension (L x W x H) (mm)		油箱加热器功率 Power for oil box heater
VSI7611	120-180	60-90	<35	<30	1700-1890	110	11.8	380V 50Hz	监测范围: 0.1-20mm/s 连续可调 Inspect scope: 0.1-20mm/s adjusted continuously	2 x 0.31 KW	双油泵互补保证供油; 无油流、无油液压自动停机; 水冷降温; 冬季电机加热启动 To make sure the supply of the oil with double oil pump; stop working with out oil or hydraulic pressure; temperature falls when the water cools; start the motor by heating it in winter.	820 x 520 x 1270	2KW	3700 x 2150 x 2100
VSI8518	200-260	100-130	<40	<35	1520-1690	180	14.5							4140 x 2280 x 2425
VSI9526	300-380	150-190	<45	<40	1360-1510	264	17.8							4560 x 2447 x 2778
VSI1140	450-520	220-260	<50	<45	1180-1310	400	25.6							5000 x 2700 x 3300

振动给料机 | Vibrating Feeder

产品介绍 Product introduction

振动给料机在工作过程中可把块状、颗粒状物料从贮料仓中均匀、定时、连续地送入受料装置，在砂石生产线中可为破碎机连续均匀的喂料，并对物料进行粗筛分，广泛应用于冶金，煤矿，选矿，建材，化工，磨料等行业的破碎，筛分联合设备中。



In the process of operation, the vibrating feeder can send the block and granular materials from the storage bin evenly, regularly and continuously to the receiving device. In the sand and stone production line, it can feed the crusher continuously and evenly, and coarse screen the materials. It is widely used in the crushing and screening combined equipment of metallurgy, coal mine, mineral processing, building materials, chemical industry, abrasives and other industries.

主要技术参数 Main technical parameters

型号规格 Model (mm)	最大进料粒度 Max Feed-in Size (mm)	处理能力 Processing Capacity (t/h)	电动机功率 Motor Power (kw)	安装倾角 Installation angle (°)	总重量 Weight (kg)	槽体尺寸 Tank Dimensions (mm)	外形尺寸 Overall dimensions (L x W x H) (mm)
GZD-650 x 2300	300	80	1.1 x 2	0-10	2798	650 x 2300	2300 x 1360 x 780
GZD-750 x 2500	350	100	1.5 x 2	0-10	3260	750 x 2500	2500 x 1460 x 780
GZD-850 x 3000	400	120	2.6 x 2	0-10	3607	850 x 3000	3110 x 1800 x 1600
GZD-1000 x 3800	500	150	6P11	0-5	3895	1000 x 3600	3850 x 1950 x 1630
GZD-1100 x 4200	580	240	6P15	0-5	4170	1100 x 4200	4400 x 2050 x 1660
GZD-1100 x 4900	580	280	6P18.5	0-10	4520	4900 x 1100	5200 x 2050 x 1700
GZD-1300 x 4900	650	450	6P22	0-10	5200	4900 x 1300	5200 x 2350 x 1750

主要技术参数 Main technical parameters

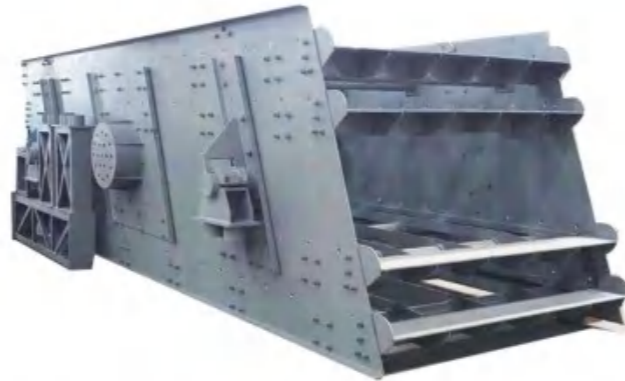
型号规格 Model (mm)	漏斗尺寸 Size of funnel (mm)	最大进料粒度 Max feed size (mm)	产量 Capacity (t/h)	功率 Power (kw)	重量 Weight (kg)	外形尺寸 Overall dimensions (L x W x H) (mm)
ZSW-850 x 3000	850 x 3000	400	80-120	7.5	4000	3110 x 1800 x 1600
ZSW-960 x 3800	960 x 3800	500	120-210	11	4400	3850 x 1950 x 1630
ZSW-1100 x 4900	1100 x 4900	580	280-450	15	5400	5200 x 2050 x 1700
ZSW-1300 x 4900	1300 x 4900	650	450-600	22	6000	5200 x 2350 x 1750
ZSW-1500 x 6000	1500 x 6000	800	600-1000	30	8800	6082 x 2660 x 2400

圆振动筛 | Circular Vibrating Screen

产品介绍 | Product introduction

YK系列圆振动筛引进德国技术制造的高效振动筛，振幅强弱可调节，物料筛淌线长，多层筛分，各档规格筛选清晰，筛分效率高。适宜采石场筛分砂石料，也可供选煤、选矿、建材、电力及化工等行业作产品分级用。

YK series round vibrating screen is an efficient vibrating screen manufactured by German technology, with adjustable amplitude, long running line of material screen, multi-layer screening, clear screening of specifications and high screening efficiency. It is suitable for screening sand and stone materials in quarries, as well as for product grading in coal preparation, mineral processing, building materials, power and chemical industries.



主要技术参数 | Main technical parameters

型号 Model	筛网面积 Sieve size(mm)	筛网数量 Layer	筛孔尺寸 Mesh size (mm)	最大进料尺寸 Max. Feed size (mm)	处理量 Capacity (t/h)	功率 Power (kw)	外形尺寸 Dimensions (mm)	重量 Weight (t)
YK0824	2400x800	1	3-100	300	27-150	4	3070x1350x1110	2.2
2YK0824	2400x800	2	3-100	300	27-150	4	3070x1350x1110	2.5
2YK1237	3700x1200	2	3-100	300	10-80	11	4050x1860x870	3.2
3YK1237	3700x1200	3	3-100	300	10-80	11	4270x1860x1210	3.5
2YK1548	4800x1500	2	3-100	400	30-200	15	5420x2210x1230	4.6
3YK1548	4800x1500	3	3-100	400	30-200	15	5660x2210x1610	5.5
2YK1848	4800x1800	2	3-100	400	50-250	18.5	5420x2550x1420	4.9
3YK1848	4800x1800	3	3-100	400	50-250	18.5	5660x2550x1780	5.7
4YK1848	4800x1800	4	3-100	400	50-250	18.5	6290x2550x2160	6.4
2YK1860	6000x1800	2	3-100	400	65-586	22	6860x2440x1410	6.1
3YK1860	6000x1800	3	3-100	400	65-586	22	6990x2440x1760	6.9
4YK1860	6000x1800	4	3-100	400	65-586	30	7120x2440x2110	8.1
2YK2160	6000x2100	2	3-100	400	81-720	22	6720x2840x1530	6.5
3YK2160	6000x2100	3	3-100	400	81-720	30	7030x2840x1910	7.2
4YK2160	6000x2100	4	3-100	400	81-720	30	7300x2840x2380	8.5
2YK2460	6000x2400	2	3-150	400	100-810	30	6860x3040x1410	6.8
3YK2460	6000x2400	3	3-150	400	100-810	37	6990x3040x1760	8.2
4YK2460	6000x2400	4	3-150	400	100-810	37	7120x3140x2110	9.3
2YK3070	7000x3000	2	3-150	400	180-900	37	7860x3640x1540	9.5
3YK3070	7000x3000	3	3-150	400	180-900	45	7990x3640x1890	12
4YK3070	7000x3000	4	3-150	400	180-900	45	8120x3640x2240	14.4

螺旋洗砂机 | Spiral Sand Washing Machine

产品介绍 | Product introduction

螺旋洗砂机适用于冶金、建材、水电等行业的洗选、分级、除杂等作业，用于细粒度和粗粒度物料的洗选作业。对建筑用砂、筑路用砂石尤为适宜。螺旋洗砂机功率消耗小、洗净度高，密封结构好、全封闭传动装置，可调式堰板，确保了产品高效耐用，清洗脱水，细粒产品保持稳定等特点。

The spiral sand washing machine is suitable for the washing, classification and impurity removal of metallurgy, building materials, hydropower and other industries, as well as for the washing of fine-grained and coarse-grained materials. It is suitable for building sand and road sand. The spiral sand washing machine features small power consumption, high cleaning degree, good sealing structure, fully closed transmission device, adjustable weir plate, ensuring high efficiency and durability of products, cleaning and dehydration, and stable fine products.



型号 Model	螺旋直径 Spiral diameter(mm)	螺旋长度 Spiral Length(mm)	处理量 Capacity(m³/h)	功率 Power (kw)	重量 Weight (t)
XSL-500	500	5000	12-20	3	2.5
XSL-750	750	6500	40-55	5.5	3.8
XSL-1000	1000	7500	60-75	7.5	6.7
XSL-1200	1200	7500	80-100	11	10.8
XSL-1500	1500	8500	100-130	18.5	13.7
XSL-1800	1800	8500	110-150	22	15.4
XSL-2000	2000	8500	130-170	22	19
2XSL-1000	1000	7500	120-150	7.5x2	8.9
2XSL-1200	1200	7500	160-220	11x2	13.2

斗式洗砂机 | Bucket Sand Washing Machine

轮斗洗砂机主要分为单轮斗洗砂机、双轮斗洗砂机、三轮斗洗砂机；用于建筑砂石料等的洗选脱水，是配合制砂机使用的一种水洗式制砂的必备设备。可以洗去制砂机制出的混合砂子微量的石粉和杂质，从而提高砂子的质量；该机洗净度高、结构合理、处理量大、功耗小、砂子流失少（洗砂过程中）。

Wheel bucket sand washer is mainly divided into single-wheel bucket sand washer, double-wheel bucket sand washer and three-wheel bucket sand washer. It is used for washing and dewatering of building sand and gravel, and is a necessary equipment for washing sand with sand machine. It can wash off the trace stone powder and impurities of the mixed sand produced by the sand making machine, thus improving the quality of the sand. The machine has high cleanliness, reasonable structure, large processing capacity, low power consumption and less sand loss (in the sand washing process).



型号 Model	进料叶轮规格 (外径×宽度) Feed wheel specifications	叶轮转速 Feed particle size(mm)	处理量 Handling capacity (t/h)	电机功率 Motor power (kw)	重量 Weight (t)	外形尺寸 (长×宽×高) (mm)Overall dimensions
XSD2610	Φ2600×1000	≤10	20-50	5.5	2.68	3255×1982×2690
XSD2816	Φ2800×1600	≤10	30-60	7.5-11	5.3	3540×3000×2880
XSD3016	Φ3000×1600	≤10	50-120	11-15	6.5	3845×3000×3080
XSD3620	Φ3600×2000	≤10	70-150	18.5-30	9.8	4456×3479×3688

皮带输送机 | Belt Conveyor

我公司生产的带式输送机具有输送量大、结构简单、维修方便、部件标准化等特点，广泛应用于矿山、冶金和煤炭等行业，用来输送松散物料或成件物品。根据输送工艺要求，可以单台输送，也可多台组成或与其他输送设备组成水平或倾斜的输送系统，以满足不同布置形式的作业线需要。

The belt conveyor produced by our company has the characteristics of large conveying capacity, simple structure, convenient maintenance, standardized components, etc. it is widely used in mining, metallurgy, coal and other industries to transport loose materials or finished goods. According to the requirements of the conveying process, it can be transported by a single set, or by several sets or by other conveying equipment to form a horizontal or inclined conveying system, so as to meet the needs of different types of operation lines.



主要技术参数 | Main technical parameters

胶带宽度 Belt Width (mm)	输送长度 / 功率 Belt Length (m) / Power (kw)			输送速度 Belt Speed (m/s)	输送量 Capacity (t/h)
	≤12/2.2	12 ~ 20/2.2 ~ 4	20 ~ 25/3.5 ~ 7.5		
400	≤12/2.2	12 ~ 20/2.2 ~ 4	20 ~ 25/3.5 ~ 7.5	1.25 ~ 2.0	30 ~ 60
500	≤12/3	12 ~ 20/3 ~ 5.5	20 ~ 30/5.5 ~ 7.5	1.25 ~ 2.0	40 ~ 80
650	≤12/4	12 ~ 20/4 ~ 5.5	20 ~ 30/5.5 ~ 11	1.25 ~ 2.0	80 ~ 120
800	≤10/4	10 ~ 15/4 ~ 5.5	15 ~ 30/5.5 ~ 15	1.25 ~ 2.0	120 ~ 200
1000	≤10/5.5	10 ~ 20/5.5 ~ 11	20 ~ 40/11 ~ 22	1.25 ~ 2.0	200 ~ 320
1200	≤10/7.5	10 ~ 20/7.5 ~ 15	20 ~ 40/15 ~ 30	1.25 ~ 2.0	290 ~ 480
1400	≤10/11	10 ~ 20/11 ~ 22	20 ~ 40/22 ~ 45	1.25 ~ 2.0	400 ~ 680
1600	≤10/15	10 ~ 20/22 ~ 30	20 ~ 50/30 ~ 75	1.25 ~ 2.0	600 ~ 1080

三环磨粉机 | Three Ring Mill



产品介绍 | Product introduction

三环磨粉机主要适用于对中、低硬度，莫氏硬度≤6级的非易燃易爆的脆性物料的超细粉加工。同属磨粉设备类别的三环中速超细磨粉机具有磨粉设备同种生产原理及技术。其高效技能特点比气流磨、微粉磨、球磨机等设备产量提升一倍不止，产品细度高可同超细磨粉机相媲美。

The three ring mill is mainly used for the processing of ultra-fine powder for the brittle materials with medium and low hardness and Mohs hardness ≤ 6 . The three ring medium speed superfine grinding machine with the same grinding equipment category has the same production principle and technology. Its high-efficiency and technical features are more than double the output of air flow mill, micro powder mill, ball mill and other equipment, and the fineness of the products can be comparable with that of the micro powder mill.

主要技术参数 | Main technical parameters

型号 Model	HGM8021	HGM9024	HGM10027	HGM10036
平均工作直径(mm) Average working diameter	800	900	1000	1000
环道数量/层 Number of loops / layer	3	3	3	4
磨辊数量/个 Number of grinding rollers / piece	21	24	27	36
主轴转速/r.p.min Spindle speed / r.p.min	230	200	180	180
入料粒度/mm Feed particle size / mm	≤20	≤20	≤20	≤20
成品粒度范围/μm Particle size range of finished product	5-47	5-47	5-47	5-47
成品产量 t/h Finished product output	0.4-4.5	0.4-5.5	0.6-6.5	0.7-7.5
安装外形长×宽×高 LXWXH / m	13.9x4x6.2	14.7x4.8x7.2	18x4.6x8.6	18x4.6x8.6
整机容量/Kw Total capacity	145	192	263	263

球磨机 | Ball Mill

产品介绍 | Product introduction

球磨机广泛应用于建材、化工、水泥、硅酸盐制品、新型建筑材料、耐火材料、化肥、黑色金属选矿以及玻璃陶瓷等行业粉磨各种中等硬度矿石及其它物料。根据加工工艺，分为干式和湿式两种粉磨方式。

Ball Mill is widely used in milling kinds of the middle hard mineral and other materials in the industries of building materials, chemical, cement, silicate products, new construction materials, refractory materials, chemical fertilizer, dressing of the black nonferrous metal, glass and ceramics, etc. According to the processing technic, it is divided into dry and wet two style mills.



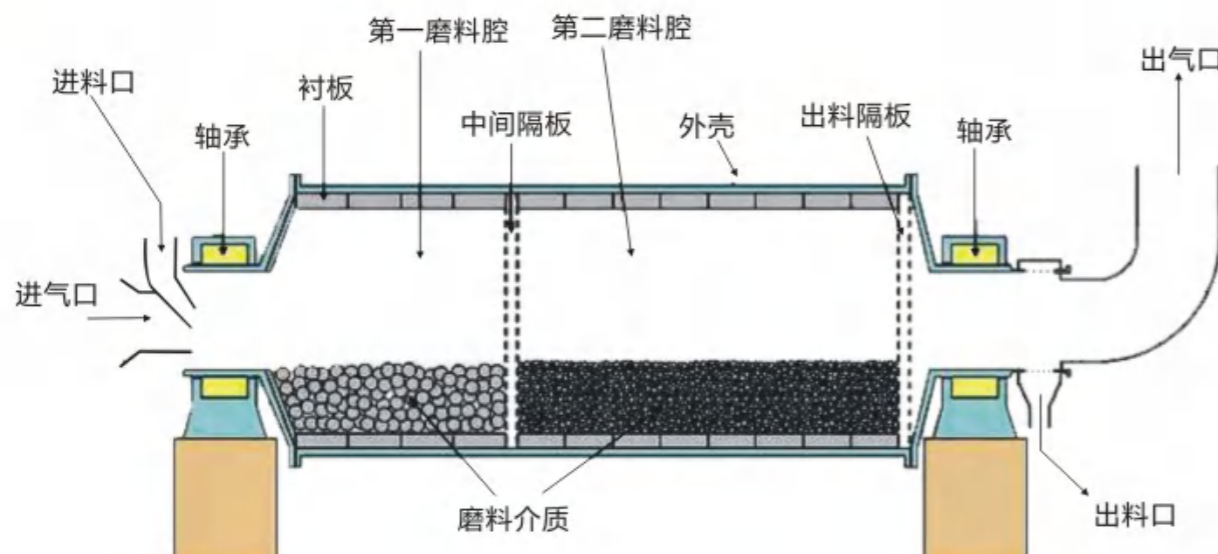
结构特点 | Structural characteristics

本机由给料部、出料部、回转部、传动部（减速机，小传动齿轮，电机，电控）等主要部分组成。中空轴采用铸钢件，内衬可拆换，回转大齿轮采用铸件滚齿加工，筒体内镶有耐磨衬板，具有良好的耐磨性。本机运转平稳，工作可靠。

注：根据物料及排矿方式，可选择干式球磨机和湿式格子型球磨机。

The machine is composed of feeding part, discharging part, turning part, transmission part (reducer, small transmission gear, motor, electric control), etc. The hollow shaft is made of steel casting, the inner lining is detachable and replaceable, the rotary gear is processed by casting gear hobbing, and the cylinder body is inlaid with wear-resistant lining plate, which has good wear resistance. This machine runs stably and works reliably.

Note: according to the material and ore discharge mode, dry ball mill and wet lattice ball mill can be selected.



工作原理 | Working principle

球磨机为卧式筒形旋转装置，外沿齿轮传动，两仓型球磨机。物料由进料装置经入料中空轴螺旋均匀地进入磨机第一仓，该仓内有阶梯衬板或波纹衬板，内装不同规格钢球，筒体转动产生离心力将钢球带到一定高度后落下，对物料产生重击和研磨作用。物料在第一仓达到粗磨后，经单层隔板仓进入第二仓，该仓内镶有平衬板，内有钢球，将物料进一步研磨。粉状物通过卸料算板排出，完成粉磨作业。

The ball mill is a horizontal cylindrical rotating device, driven by external gears and a two chamber ball mill. The material enters the first chamber of the mill evenly by the feeding device through the feeding hollow shaft spiral. There are ladder lining plates or corrugated lining plates in the chamber, which are equipped with steel balls of different specifications. The cylinder rotation produces centrifugal force to bring the steel balls to a certain height and then fall down, which has a heavy impact and grinding effect on the material. After coarse grinding of materials in the first bin, the materials enter the second bin through a single-layer partition board. The bin is inlaid with a flat lining board and a steel ball to further grind the materials. The powder is discharged through the discharging grate plate to complete the grinding operation.

主要技术参数 | Main technical parameters

型号规格 Model(mm)	筒体转速 Rotation speed of the Chamber (r/min)	装球量 Ball Load (t)	给料粒度 Feed-in material size (mm)	出料粒度 Feed-out Material Size (mm)	产量 Output(t/h)	功率 Power(kw)	机重 Weight(t)
φ900×1800	36-38	1.5	≤20	0.075-0.89	0.65-2	18.5	4.6
φ900×3000	36	2.7	≤20	0.075-0.89	1.1-3.5	22	5.6
φ1200×2400	36	3	≤25	0.075-0.6	1.5-4.8	30	12
φ1200×3000	36	3.5	≤25	0.074-0.4	1.6-5	37	12.8
φ1200×4500	32.4	5	≤25	0.074-0.4	1.6-5.8	55	13.8
φ1500×3000	29.7	7.5	≤25	0.074-0.4	2-5	75	15.6
φ1500×4500	27	11	≤25	0.074-0.4	3-6	90	21
φ1500×5700	28	12	≤25	0.074-0.4	3.5-6	130	24.7
φ1830×3000	25.4	11	≤25	0.074-0.4	4-10	130	28
φ1830×4500	25.4	15	≤25	0.074-0.4	4.5-12	155	32
φ1830×6400	24.1	21	≤25	0.074-0.4	6.5-15	210	34
φ1830×7000	24.1	23	≤25	0.074-0.4	7.5-17	245	36
φ2100×3000	23.7	15	≤25	0.074-0.4	6.5-36	210	34
φ2100×4500	23.7	24	≤25	0.074-0.4	8-43	245	42
φ2100×7000	23.7	26	≤25	0.074-0.4	8-48	280	50
φ2200×4500	21.5	27	≤25	0.074-0.4	9-45	280	48.5
φ2200×6500	21.7	35	≤25	0.074-0.4	14-26	370	52.8
φ2200×7000	21.7	35	≤25	0.074-0.4	15-28	380	54
φ2200×7500	21.7	35	≤25	0.074-0.4	15-30	380	56
φ2400×4500	21	30	≤25	0.074-0.4	8.5-60	320	65
φ2700×4000	20.7	40	≤25	0.074-0.4	12-80	400	94
φ2700×4500	20.7	48	≤25	0.074-0.4	12-90	430	102
φ3200×4500	18	65	≤25	0.074-0.4	按工艺条件定	800	137

高压磨粉机 | High Pressure Pulverizer

高压磨粉机适用于粉碎重晶石、石灰石、陶瓷、矿渣等莫氏硬度不大于9.3级，湿度在8%以下的非易燃易爆的矿山、冶金、化工、建材等行业280多种物料的高细制粉加工，成品粒度在80-425目范围调节。

The high-pressure grinder is suitable for crushing more than 280 kinds of materials with Mohs hardness no more than 9.3 and humidity less than 8%, such as barite, limestone, ceramics, slag, etc. in mining, metallurgy, chemical industry, building materials and other industries. The particle size of the finished product is adjusted in the range of 80-425 items.

产品特点 | Product characteristics

- 1、高压磨与其他磨机相比相同动力条件下产量提高10-20%，磨辊对物料的碾压力在高压弹簧作用下提高800-1200kg。
- 2、莫氏硬度小于9.3级的矿产物料均可加工粉碎。
- 3、成品粒度范围广。粒径最粗可达30目，除尘效果完全可达425目，少部分物料可达到600目。
- 4、除尘效果完全达到国家粉尘排放标准。
- 5、分析机调整方便。
- 6、研磨装置采用重叠式多级密封。

1. Comparing with other mill, with the same power, the production can increase 10-20%; with the high pressure spring, the pressure of the roll raises 800-1200kg.

2. All the materials, with moth's hardness less than 9.3, can be milled.

3. Large scope of the finished products size: coarse size can reach 30 meshes at the maximum, dustremoving effect can reach 425meshes, some can be 600meshes.

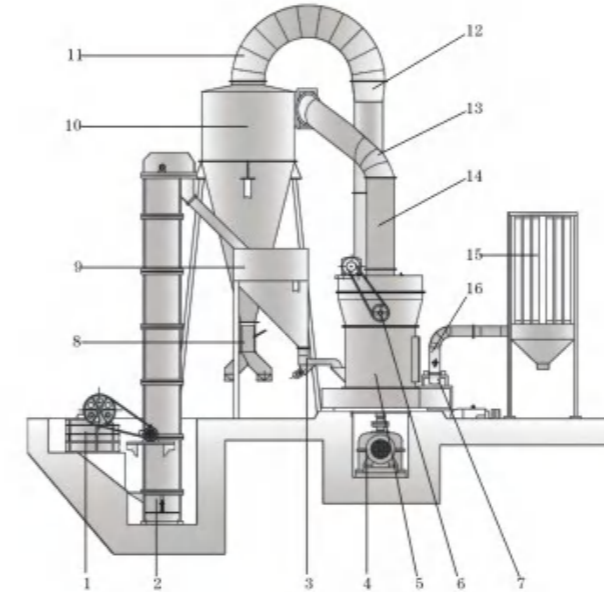
4. Dust removing effect can reach the national standard.
5. Analyzer can be easily adjusted.
6. Milling equipment overlapped multistep sealed.

主要技术参数 | Main technical parameters

型号 Model	磨辊数量 Roller Number (pc)	磨辊尺寸 Roller size (mm)	磨环尺寸 Ring size (mm)	最大进料 Max. feed size (mm)	出料粒度 Output size (mm)	产量 Capacity (t/h)	功率 Power (kw)	外形尺寸 Overall Dimension LxWxH(mm)
YGM75	3	260x150	780x150	≤15	0.613-0.033	1-3	18.5	4300x3500x5100
YGM95	4	310x190	950x190	≤25	0.613-0.033	2.1-5.6	45	7100x5900x7900
YGM130	5	410x230	1280x230	≤30	0.613-0.033	2.5-9.5	90	7900x8000x9700
YGM160	6	450x300	1600x300	≤35	0.613-0.033	5-16	132	12550x5700x8355
YGM190	6	500x330	1900x330	≤40	0.613-0.033	9-27	250	11200x8530x9685



配套设备示意图 | Schematic diagram of supporting equipment



- | | |
|------------------------------|----------------------------|
| 1、颚式破碎机 Jaw crusher | 2、漏斗提升机 Bucket elevator |
| 3、电磁振动给料机 Vibrating feeder | 4、传动装置 Gear box |
| 5、主机 Main machine | 6、分析机 Analyzer |
| 7、鼓风机 Blower | 8、下料器 Discharger |
| 9、储料仓 Hopper | 10、旋风分离器 Powder collector |
| 11、大弯头 Large bend pipe | 12、进风长直管 Straight pipe |
| 13、出粉管 Discharge powder pipe | 14、管道装置 Pipe device |
| 15、除尘箱 Dust catcher box | 16、调风管 Air regulating pipe |

设备生产线配置表 | Equipment production line configuration table

型号 Model	YGM75	YGM95	YGM130	YGM160	YGM190
产量 Capacity	0.8-1.5t/h	2.5-4t/h	4.5-7t/h	7-11t/h	11-15t/h
磨粉机功率 Grinding mill power	主机 Grinder	18.5	45	90	132
	风机 Blower	15	37	90	132
	分析机 Classifier	2.2	5.5	7.5	15
鄂破 Jaw crusher	型号 Model	PE150x250	PE200x350	PE250x400	PEX250x750
	功率 Power	5.5	7.5	15	22
斗式提升机 Elevator	型号 Model	T210	T210	T250	T315
	功率 Power	3	3	3	4
给料机 Feeder	型号 Model	GZ-2	GZ-4	GZ-4	GZ-5
	功率 Power	0.15	0.45	0.45	0.65
料仓 Silo	根据现场实际情况，厂家指导制作。 According to the actual situation, we will guide to make.				

欧版磨粉机 | European Mill

产品介绍 | Product introduction

MTW系列欧式磨粉机是山腾机械专家吸收欧洲最新粉磨技术及理念，潜心开发出的具有国际领先技术水平，该机型采用了锥齿轮整体传动、内部稀油润滑系统、弧形风道等最新的多项专利技术。性能稳定，操作方便，能耗低；可调可控成品粒度、粉磨物料应用广泛；配备专用除尘器，粉尘排放浓度完全低于国家环保规定。

MTW series of european-style grinder is our company experts to absorb the latest grinding technology and the idea of Europe, with great concentration developed with international advanced technology level, which adopted the internal bevel gear transmission, thin oil lubrication system, the curved duct and so on more than the latest patented technology. Stable performance, convenient operation, low energy consumption; Adjustable and controllable finished product granularity, grinding materials widely used; Equipped with special filter, dust emission concentration is lower than the national environmental regulations completely.



主要技术参数 | Main technical parameters

型号 Model	磨辊数量 Roller number (pcs)	磨环内经 Canon of ring (mm)	主机转速 Main engine rate (r/min)	最大进料粒度 Max Feeding Size (mm)	成品粒度 Finished product Size (mm)	处理能力 Processing power (t/h)	外形尺寸 Overall dimensions (L x W x H)(mm)
MTW110	4	Φ1100	120	30	1.6-0.045 最细可达0.038	3.5 - 10	8425 × 7933 × 8642
MTW138	4	Φ1380	96	35	1.6-0.045 最细可达0.038	6.5 - 15	9860 × 8540 × 10227
MTW175	5	Φ1750	75	40	1.6-0.045 最细可达0.038	11 - 25	12182 × 8835 × 9916

常规生产线配置表及技术参数 | European Grinding Mill Production line configuration and technical parameters

配套设备Relative equipments		型号Model	MTW110	MTW138	MTW175
磨粉机功率 Grinding mill power	主机Grinder		75	90	185
	风机Blower		75	90	185
	选粉机Powder Classifier		7.5	11	30
鄂破 jaw crusher	型号Model		PE200x350	PE250x400	PE250x750
	功率Power		7.5	15	22
	进料尺寸Input size(mm)		≤150	≤210	≤210
	出料尺寸Output size(mm)		15-55	25-60	25-60
斗式提升机 Elevator	型号Model		T210	T250	T315
	功率Power		3	3	7.5
给料机 Feeder	型号Model		GZ-2	GZ-3	GZ-4
	功率Power		0.15	0.2	0.45
料仓Silo		根据现场实际情况，厂家指导制作 According to the actual situation, we will guide to make			



布袋除尘器 | Dust Collector

它综合了分室反吹和喷吹脉冲清灰等诸类除尘器的优点，克服了分室反吹清灰强度不够、喷吹脉冲清灰与过滤同时进行“再吸附”的缺点，采用高能离线清灰方式，具有清灰能量大、清灰效果好、系统阻力低、滤袋使用寿命长、除尘效率高等特点，广泛应用于水泥企业的磨机、破碎、包装、库顶、配料等系统的除尘。它不仅能净化一般的含尘气体，还能处理高浓度（高达1300g/Nm³）的含尘气体，可直接作为立式磨、O-sepa选粉机等的成品回收的工艺设备。除水泥工业外，它也可用于粮食、轻工、矿山、电力、化工、冶金等行业的除尘。



It combines advantages of split chamber blowing dust collector and jetting pulse cleaning dust collector, avoids insufficient strength of split chamber blowing and simultaneous re-absorbing of jetting pulse cleaning dust and filter. It adopts highly efficient off-line method, so it can clean dust with larger capacity, higher efficiency, lower system resistance, longer life of filter-bag etc. It is widely used to collect dust in grinder, crusher, packing machine, silo top, matching materials of cement industry. It can clean not only air with common dust, but air with high density (even 1300g/Nm³), so it can collect final product of vertical mill and O-sepa separator. It can be also widely used in grain, light industry, electric power, chemical industry, metallurgy, etc.

主要技术参数 Main technical parameters

型号 Model	总过滤面积 Total filter area (m ²)	过滤风速 Filtering wind speed (m/min)	处理风量 Input air (m ³ /h)	滤袋条数 No. of filter bag (pc)	滤袋规格 Specification of filter bag (mm)	耗气量 Air consumption (m ³ /h)	入口浓度 Inlet Density (g/m ³)	出口浓度 Outlet Density (mg/m ³)
DMC-32	24	1.04-1.67	1500-2400	32	Φ120x2000	0.032	200	50
DMC-48	36	1.15-1.62	2500-3500	48	Φ120x2000	0.048		
DMC-64	48	1.21-1.74	3500-5000	64	Φ120x2000	0.064		
DMC-80	60	1.25-1.67	4500-6000	80	Φ120x2000	0.080		
DMC-96	72	1.27-1.62	5500-7000	96	Φ120x2000	0.096		
DMC-112	84	1.28-1.68	6500-8500	112	Φ120x2000	0.110		
DMC-120	90	1.3-1.76	7500-9500	120	Φ120x2000	0.120		
DMC-168	126	1.2-1.68	9700-12700	168	Φ120x2000	0.168		

主要技术参数 Main technical parameters

参数/型号 Item/Model	JFMC-32系列				JFMC-64系列					JFMC-96系列	
	32-3	32-4	32-5	32-6	64-4	64-5	64-6	64-7	64-8	96-5	96-6
处理风量 Air volume (m ³ /h)	6900	8900	11160	13390	17800	22300	26700	31200	35700	33400	40100
总过滤面积 Filter area (m ²)	93	124	155	186	248	310	372	434	496	465	557
除尘室数 Number of dust house (piece)	3	4	5	6	4	5	6	7	8	5	6
每室袋数 Number of bags per room (piece)	32				64					96	
滤袋总数 Total number of filter bags (piece)	96	128	160	192	256	320	384	448	512	480	576
压缩空气消耗量 Compressed air consumption (Nm ³ *min)	0.4	0.4	0.4	0.6	0.6 (1.2)					0.9 (1.6)	
设备总量 Total weight (t)	2.85	4.1	5.3	6.5	8.3	9.8	11.7	13.4	15	12.2	15

滚筒烘干机 | Rotary Dryer

烘干机广泛用于建材、冶金、化工、水泥、矿渣、石灰石、煤粉、粘土等物料。该机主要由回转体、扬料板、传动装置、支撑装置及密封圈等部件组成。具有结构合理，制作精良，产量高，能耗低，运转方便等优点。

Dryer is widely used for processing the materials in the areas of building materials, metallurgy, chemical, cement, slag, limestone, coal powder, clay. It is mainly composed by gyrator, materials feeding plate, gearing, support device and seal circle, etc. It has the advantages of reasonable structure, perfect in workmanship, high production, low consumption and easy to operation.



主要技术参数 Main technical parameters

型号 Model	倾斜度 Gradient (°)	转速 Rotation Speed (r/min)	进气温 Feed-in Gas Temperature (°C)	功率 Power (kw)	生产能力 Output (t/h)	重量 Weight (t)
φ600×6000	3-5	3-8	≤700	3	0.5-1.5	2.9
φ800×8000	3-5	3-8	≤700	4	0.8-2.0	3.5
φ800×10000	3-5	3-8	≤700	4	0.8-2.5	4.5
φ1000×10000	3-5	3-8	≤700	5.5	1.0-3.5	5.6
φ1200×10000	3-5	3-8	≤700	7.5	1.8-5	14.5
φ1200×12000	3-5	3-8	≤700	11	2-6	14.8
φ1500×12000	3-5	2-6	≤800	15	3.5-9	17.8
φ1800×12000	3-5	2-6	≤800	18	5-12	25
φ2200×12000	3-5	1.5-6	≤800	18.5	6-15	33
φ2200×18000	3-5	1.5-6	≤800	22	10-18	53.8
φ2200×20000	3-5	1.5-6	≤800	30	12-20	56
φ2400×20000	3-5	1.5-5	≤800	37	18-30	60
φ3000×20000	3-5	1.5-5	≤800	55	25-35	78
φ3000×25000	3-5	1.5-5	≤800	75	32-40	104.9

三筒烘干机 | Three Cylinder Dryer



主要技术参数 Main technical parameters

型号 Model	外筒直径 (m) Outer cylinder diameter	外筒长度 (m) Outer tube length	筒体容积 (m ³) Cylinder volume	筒体转速 (r/min) Cylinder rotating speed	最高进气 (°C) Maximum inlet	生产能力 (t/h) Throughput	电机动力 (kw) Motor power
2x4.5m	2	4.5	14.13	4-10	700-750	13-18	5.5x2
2.2x5m	2.2	5	18.99	4-10	700-750	15-23	7.5x2
2.5x6m	2.5	6	29.43	4-10	700-750	20-28	5.5x4
2.7x6.5m	2.7	6.5	37.19	4-10	700-750	24-33	7.5x4
3x6.5m	3.0	6.5	45.92	4-10	700-750	35-40	11x4
3.2x7m	3.2	7	56.27	4-10	700-750	40-60	15x4
3.6x8m	3.6	8	81.39	4-10	700-750	55-75	18.5x4
4.2x8m	4.2	8	110.78	4-10	700-750	70-120	22x4

注：技术数据如有变动，恕不另行通知。Any change of technical data shall not be advised additionally.

轮胎式移动破碎站 | Tyre Type Mobile Crushing Station

产品介绍 Product introduction

移动式破碎机是一个由多种设备集成的一个可移动的破碎机，由自身提供动力或由牵引车提供动力，可方便移动到合适位置的机械设备。它是山腾多位专家结合国内外砂石生产方面的实际情况精心研制而成的，与普通破碎机相比优点就是移动方便，占地面积小，可直接选定场地，放置到现场便可以投入生产，由于移动破碎机可以直接建造在矿面上来排除大量的卡车运输，所以它广泛地运用到矿山工业中不同的生产工程中。



Mobile crusher is a movable crusher integrated by a variety of equipment, powered by itself or by tractor, which can easily move to the appropriate location of the mechanical equipment. It is developed by many experts in combination with the actual situation of sand and gravel production at home and abroad. Compared with ordinary crushers, it has the advantages of convenient movement, small occupation area, direct selection of site, and put into production on site. Because Mobile crushers can be built directly on the mine surface to exclude a large number of truck transportation, it is widely used in mine workers. Different production projects in the industry.

应用范围 Application scope

移动鄂式破碎机设备主要适合破碎硬度不超过320MPa的石料，例如白云石、大理石、河卵石等；

移动圆锥式破碎机比较适合破碎中等硬度或者硬度较大的物料，例如：石墨、花岗岩等；

移动反击式破碎机设备比较适合加工中等硬度的物料，例如：石灰石、石膏、炉渣等；

移动制砂机相比前三种设备来说，加工石料的成品更加均匀、细腻，常用于青石、鹅卵石等石料的制砂作业中。

Mobile jaw crusher is mainly suitable for crushing stones with hardness less than 320 MPa, such as dolomite, marble, River pebble, etc.

Mobile cone crusher is more suitable for crushing medium or high hardness materials, such as graphite, granite, etc.

Mobile impact crusher equipment is more suitable for processing medium hardness materials, such as limestone, gypsum, slag, etc.

Compared with the first three kinds of equipment, the mobile sand machine has more uniform and delicate finished products. It is often used in the sand making of bluestone, cobble and other stone materials.

产品选择 Product selection

移动式破碎机的原理是采用先初步破碎，然后与其它破碎设备配套结合的方式。其中，粗碎机主要是指鄂式破碎机、圆锥破碎机；细碎机是指重锤式破碎机、反击式破碎机、制砂机等。根据不同用户的具体生产需求，可增添或者删减相应的破碎机、振动筛和输送机设备。整套设备配套灵活、运行流畅、操作简单。

The principle of mobile crusher is to adopt the mode of initial crushing and then matching with other crushing equipment. Among them, crusher mainly refers to jaw crusher, cone crusher; fine crusher refers to hammer crusher, impact crusher, sand making machine and so on. According to the specific production needs of different users, the corresponding crusher, vibration screen and conveyor equipment can be added or deleted. The whole set of equipment is flexible, smooth and easy to operate.



主要技术参数 Main technical parameters

型号 Model	振动筛 Vibrating Screen	反击式破碎机 Impact Crusher	输送机 Conveyor	处理能力 Capacity (t/h)	功率 Power (kw)
Y3S1548F1010	3YK1548	PF1010	B500 × 7m	30-275	70-90
Y3S1848F1210	3YK1848	PF1210	B650 × 7m	56-330	128.5-150.5
Y3S1860F1214	3YK1860	PF1214	B650 × 8m	65-586	154-190
Y3S2160F1315	3YK2160	PF1315	B800 × 8m	81-720	210-297

主要技术参数 Main technical parameters

型号 Model	振动筛 Vibrating Screen	圆锥式破碎机 Cone Crusher	输送机 Conveyor	处理能力 Capacity (t/h)	功率 Power (kw)
Y3S1548Y900	3YK1548	PYB900	B500 × 7m	50-90	75
Y3S1848Y1200	3YK1848	PYB1200	B650 × 7m	65-130	99-134
Y3S1860Y160	3YK1860	CS160	B650 × 8m	110-455	212.5-220.5
Y3S2160Y220	3YK2160	HPC-220	B800 × 8m	140-330	257.5-264.5

主要技术参数 Main technical parameters

型号 Model	给料机型号 Type of feeder	颚式破碎机型号 Jaw crusher model	输送机 Conveyor	处理能力 Capacity (t/h)	功率 Power (kw)
YG938E69	ZSW960x3800	PE600 × 900	B650 × 7m	70-150t/h	91.5
YG1142E710	ZSW1100x4200	PE750 × 1060	B800 × 9m	80-200t/h	134
YG1349E912	ZSW1300x4900	PE900 × 1200	B1000 × 11m	150-300t/h	146

石料生产线 | Stone Production Line

该生产线使用反击式破碎机为二级破碎，具有流程简单，成品粒型好（立方体），投资经济等优点。该生产线特别适合于石灰石、灰岩、页岩、花岗岩等中等硬度以下岩石的破碎生产。

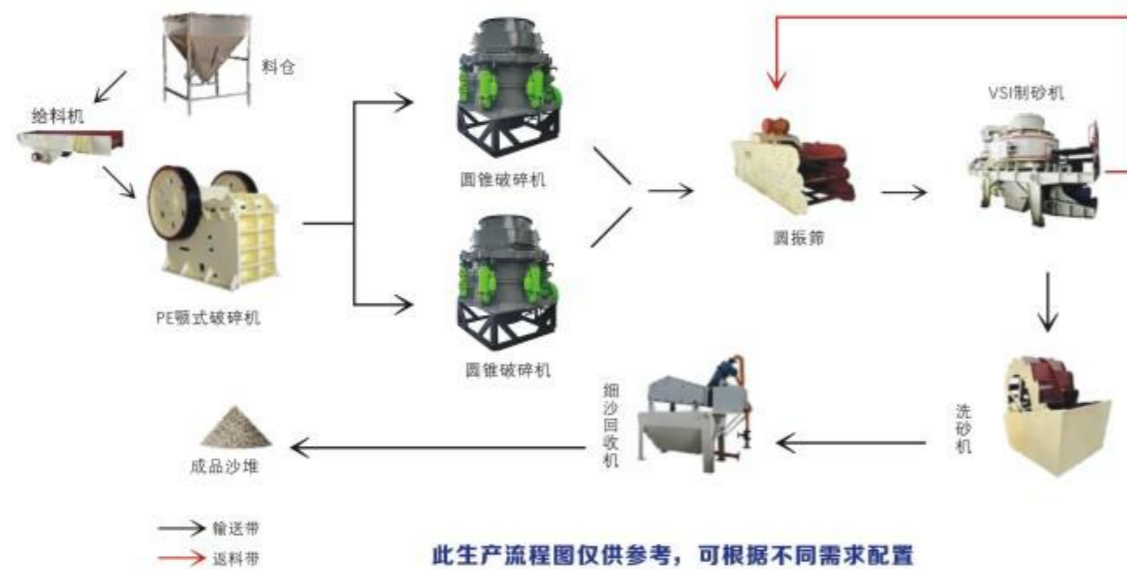
The production line using the impact crusher is two-level-breaking, and has the advantages of simple process, good finished product (cube), investment economy and so on. The production line is especially suitable for the crushing of limestone, limestone, shale, granite, etc..



制砂生产线 | Sand Making Line

我公司开发的5X及VSI系列冲击破碎机（制砂机）和配套设备，专门用于人工砂的生产，具有成品粒型好，成砂率高，细度目数可调，生产成本低等优点，该生产线特别适合于河卵石、石灰岩、花岗岩、石屑、各种岩石和矿石尾矿的人工制砂。

Our company developed 5X and VSI series impact crusher (sand making machine) and supporting equipment, specifically for the production of artificial sand, with a good product type, sand rate is high, The fineness modulus, low production cost advantages, the production line is especially suitable for the river gravel, limestone, granite, stone chips, all kinds of rocks and ore tailings of artificial sand.



工程案例 | Engineering case

