



地址：无锡市惠山区前洲街道洛洲路
Add: Luozhou Road, Qianzhou Street,
Huishan District, Wuxi City
手机/Mob : 138 0685 7968 139 6778 5843
电话/Tel : 0510-8338 3798 8339 9928
传真/Fax : 0510-8339 9928
邮箱/E-mail : 549138838@qq.com



法克斯管业
FAKESI STEEL PIPE INDUSTRY



FAKESI
无锡法克斯管业有限公司
WUXI FAKESI STEEL PIPE INDUSTRY CO., LTD.

品牌/卓越/专注/领航/未来
BUSINESS BROCHURE DESIGN

公司简介 Company Introduce

无锡法克斯管业有限公司成立于1992年。我公司是一家以质量求生存，以诚信求发展，专业制造与创新的无缝钢管制造企业，座落于中国经济发展中的江苏省无锡市。无锡市铁路、公路、高速公路、航空、海运四通八达，交相呼应，交通便利，是无缝钢管基地，延伸产品丰富，能为广大客商提供优质快捷的物流服务。

我公司生产高精度无缝钢管，精密管，主要产品用于为油缸管、汽缸管、传动轴、农用车异型管、摩托车零部件、电瓶车、汽摩配防盗锁、电机壳、机械等各种异型钢管，由于本公司近年来加大创新和开发，拥有国内较先进的生产设备、工艺及钢管检测中心，质量稳定，生产成本低，价格优惠，尤其新产品生产能力强，深受新老客户信赖。

我公司产品生产范围：

- 1、钢材：10#、20#、35#、45#、20cr、40cr、16mn、20mn等各种材质。
- 2、尺寸范围：外径 ϕ 10mm— ϕ 280，壁厚 ϕ 1mm— ϕ 18mm

我们的宗旨是质量第一，信誉第一，客户至上，欢迎新老客户来电洽谈合作

Setup in 1992, WUXI FAKESI STEEL PIPE INDUSTRY CO., LTD. is a professional manufacturer of air-tight steel pipes. We are striving for prospering and developing by quality and honesty. It is located at Wuxi City Jiangsu Province. It enjoys a convenient transportation. It is accessible to the railway, highway, expressway, aviation and ocean carriage. It is seamless pipes production base. We can offer fast quality logistics service to all the merchants.

Our products are air-tight steel pipes with high precision and precise pipes. The main products are used as oil cylinder spare parts, pneumatic cylinder spare parts, driving shaft, agricultural shape tubes, motorcycle spare parts, battery railcars, automobile & motorcycle matching burglar-proof locks, electrical shells, all kinds of profile tubes for machineries. The company has advanced producing equipments, technologies and steel pipe testing center. It has put effort into technical innovation and development in the past years. The products are popular with the customers for their stable quality, lower production cost, competitive price and strong productive capacity, particularly the new products.

The scope of production:

1. steel: 10#, 20#, 35#, 45#, 20cr, 40cr, 16mn, 20mn.
2. size: outer diameter ϕ 10mm— ϕ 280, wall thickness ϕ 1mm — ϕ 18mm

Our aims are quality first, credit first and customer supreme. We give a welcome to all customers to visit and talk business by telephone or correspondence.



创新 INNOVATION

我们追求的是创新，不断努力，
不断争取，不断创新，我们的梦想走向全球。

We are in pursuit of innovation, continuous efforts,
and constantly strive for, continuous innovation,
our dream to go global.



打造一流团队，提供一流服务
生产一流产品，保证一流质量

Build first-class team, provides the first-class service,
The production of first-class products,
to ensure first-class quality.

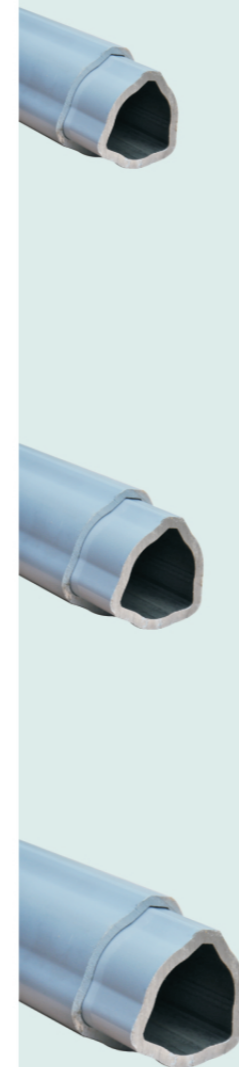


品质成就未来
THE QUALITY OF FUTURE SUCCESS


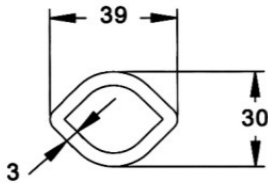
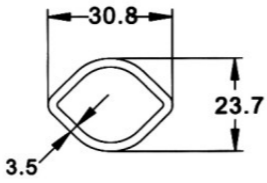

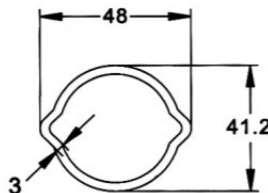
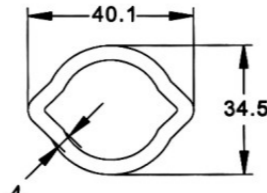

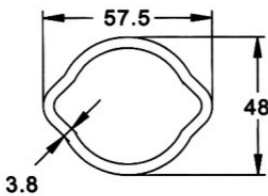
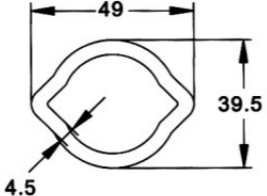
以质量求生存，以创新求发展，
以科技进步兴企业，以信誉立足市场
Quality of survival, innovation and development,
scientific and technological progress Hing
Investment, reputation based on the market

TRIANGULAR TUBE


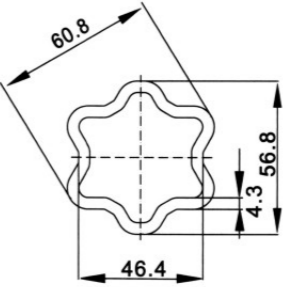
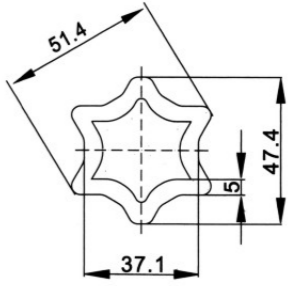

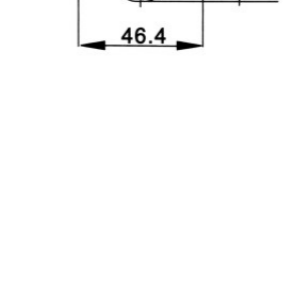
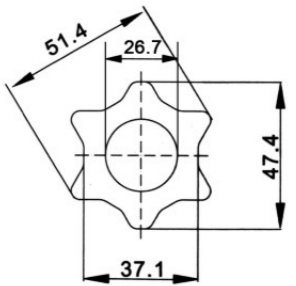

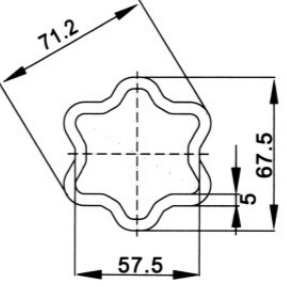
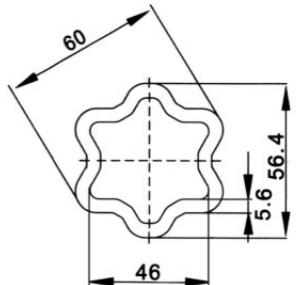
	OUTER	INNER
T10 一系列		
T20 二系列		
T40 四系列		
T50 五系列		
T60 六系列		
T70 七系列		
T80 八系列		



LEMON TUBE

	OUTER	INNER
 <p>L10 一系列</p>	 <p>39 30 3</p>	 <p>30.8 23.7 3.5</p>
 <p>L40 四系列</p>	 <p>48 41.2 3</p>	 <p>40.1 34.5 4</p>
 <p>L60 六系列</p>	 <p>57.5 48 3.8</p>	 <p>49 39.5 4.5</p>

STAR TUBE

	OUTER	INNER
 <p>ST系列</p>	 <p>60.8 56.8 4.3 46.4</p>	 <p>51.4 47.4 5 37.1</p>
 <p>10ST系列</p>	 <p>60.8 56.8 4.3 46.4</p>	 <p>51.4 26.7 47.4 37.1</p>
 <p>10ST系列</p>	 <p>71.2 67.5 5 57.5</p>	 <p>60 56.4 5.6 46</p>

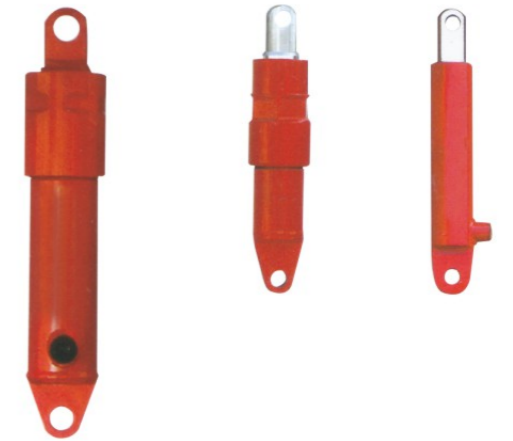
拖拉机转向系列
TRACTOR STEERING SERIES



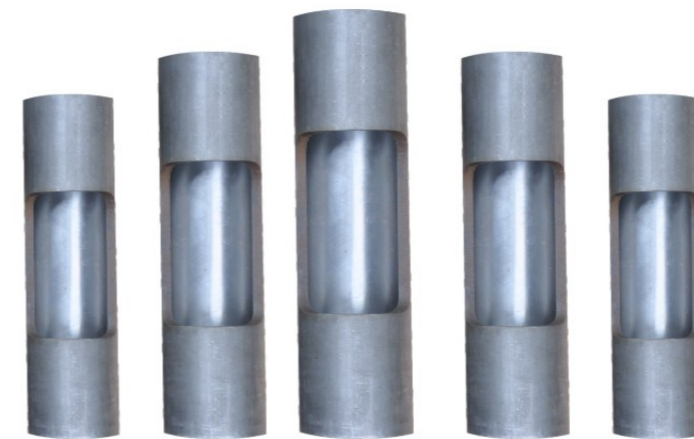
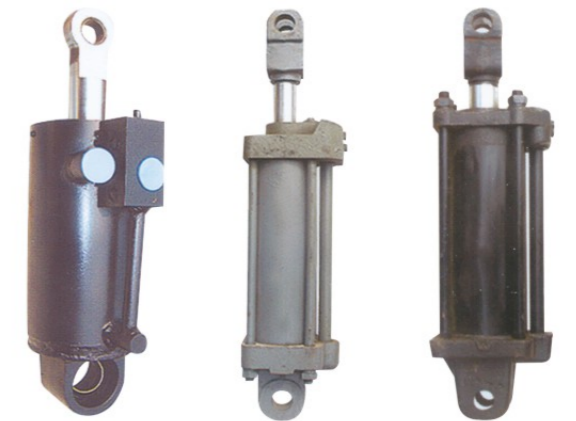
玉米收获机系列
MAIZE HARVESTING MACHINE SERIES



青贮机系列
SILAGE MACHINE SERIES



拖拉机后油缸系列
TRACTOR REAR CYLINDER SERIES



油缸管尺寸、气缸管尺寸 OIL CYLINDER STEEL PIPE SIZE, CYLINDER STEEL PIPE SIZE

钢号/Steel No.			内径/ID	外径/OD	壁厚/WT
20#	45#	Q345B	25	35	5
20#	45#	Q345B	30	40	5
20#	45#	Q345B	30	45	7.5
20#	45#	Q345B	32	42	5
20#	45#	Q345B	35	42	3.5
20#	45#	Q345B	40	46	3
20#	45#	Q345B	40	48	4
20#	45#	Q345B	40	50	5
20#	45#	Q345B	45	55	5
20#	45#	Q345B	45	56	5.5
20#	45#	Q345B	50	56	3
20#	45#	Q345B	50	58	4
20#	45#	Q345B	50	60	5
20#	45#	Q345B	50	63	6.5
20#	45#	Q345B	50	65	5
20#	45#	Q345B	63	69	3
20#	45#	Q345B	56	66	5
20#	45#	Q345B	50	70	10
20#	45#	Q345B	60	75	7.5
20#	45#	Q345B	63	73	5
20#	45#	Q345B	63	76	3


油缸管尺寸、气缸管尺寸 OIL CYLINDER STEEL PIPE SIZE, CYLINDER STEEL PIPE SIZE

钢号/Steel No.			内径/ID	外径/OD	壁厚/WT
20#	45#	Q345B	60	83	11.5
20#	45#	Q345B	63	83	10
20#	45#	Q345B	70	85	7.5
20#	45#	Q345B	80	88	4
20#	45#	Q345B	80	86	3
20#	45#	Q345B	70	90	10
20#	45#	Q345B	70	95	17.5
20#	45#	Q345B	75	90	7.5
20#	45#	Q345B	80	90	5
20#	45#	Q345B	80	95	7.5
20#	45#	Q345B	85	95	5
20#	45#	Q345B	80	102	11
20#	45#	Q345B	90	102	6
20#	45#	Q345B	90	105	7.5
20#	45#	Q345B	100	115	7.5
20#	45#	Q345B	100	114	7
20#	45#	Q345B	100	112	6
20#	45#	Q345B	100	110	5
20#	45#	Q345B	100	107	3.5


各种英制油缸筒 BRITISH SYSTEM'S HYDRAULIC CYLINDER

液压缸筒/Hydraulic cylinder		
内径/ID	外径/OD	壁厚/WT
38.1	50.8	6.35
44.45	57.15	6.35
50.8	60.8	5
50.8	63.5	6.35
57.15	67.15	5
63.5	73.5	5
63.5	76.2	6.35
76.2	86.2	5

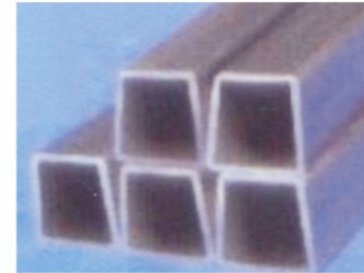
液压缸筒/Hydraulic cylinder		
内径/ID	外径/OD	壁厚/WT
76.2	88.9	6.35
88.9	98.9	5
88.9	101.6	6.35
101.6	114.3	6.35
114.3	127	63.5
127	140	6.5
127	146	9.5
152.4	171.5	9.5

法克斯公司主要致力于油缸的研发，生产，拥有先进的油缸生产线，批量生产拉杆式（MOB, H0B系列油缸）升降活体超长行程油缸（R0B, HSG系列油缸）薄型油缸，微型油缸，液压站，液压机。

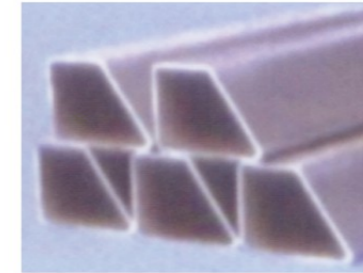
FAKESI Company devotes itself to developing and producing oil cylinders. The company owns the advanced oil cylinder production lines and produces the pull-rod(MOB and H0B oil cylinders) lifting super long stroke oil cylinders, (R0B and HSG oil cylinder)thin oil cylinders, miniature oil cylinders, hydraulic stations and hydraulic machines.



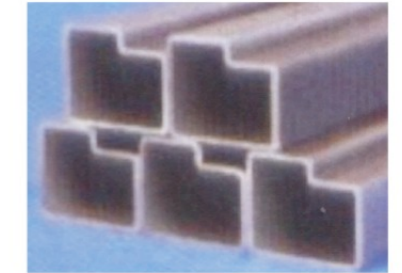
客车用管 SPECIAL PIPE FOR PASSENGER CARS



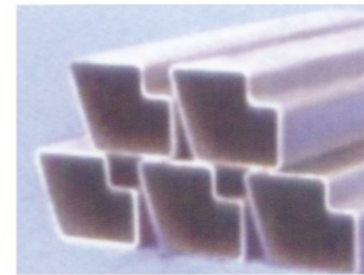
规格/SIZE: 41×40×32×3



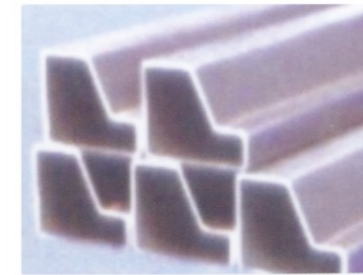
规格/SIZE: 69×50×40×3



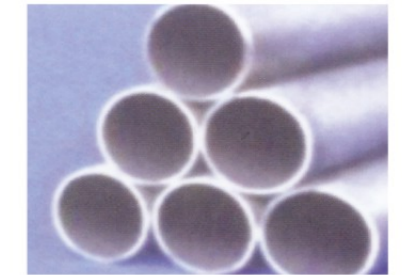
规格/SIZE: 60×50×30×20×17×3



规格/SIZE: 62×52×50×40×3



规格/SIZE: 60×50×40×35×3



规格/SIZE: 42×2.5

PTO农业传动轴管 PTO AGRICULTURAL DRIVE SHAFT TUBE



外圆内六角钢管
External round-internal hexagon steel pipe



外六角内圆钢管
External hexagon-internal round steel pipe



异形钢管
Deformed steel tube



玉米收割机用钢管
Corn harvester steel tube



汽车用钢管 Automotive steel tube



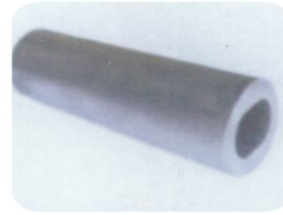
精密无缝钢管
Precision seamless steel tube



异形钢管
Deformed steel tube



椭圆钢管
Oval steel tube



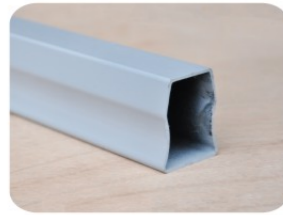
外圆内椭圆钢管
Inner oval-shaped outer round steel tube



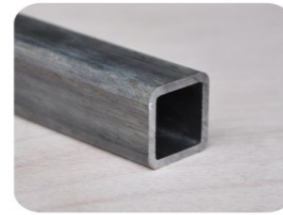
椭圆钢管
Oval steel tube



异形钢管 Deformed steel tube



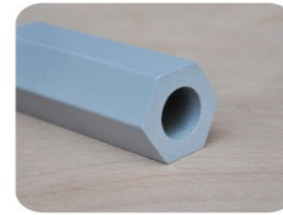
异形钢管
Deformed steel tube



异形钢管
Deformed steel tube



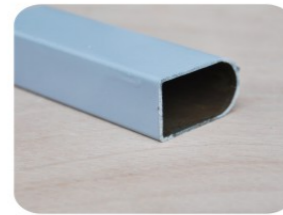
异形钢管
Deformed steel tube



异形钢管
Deformed steel tube



异形钢管
Deformed steel tube



异形钢管
Deformed steel tube



异形钢管
Deformed steel tube



异形钢管
Deformed steel tube



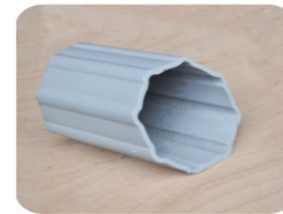
异形钢管
Deformed steel tube



异形钢管
Deformed steel tube



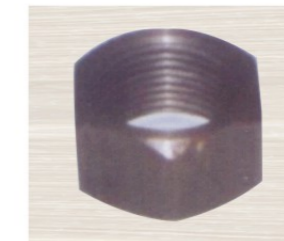
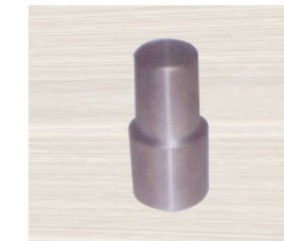
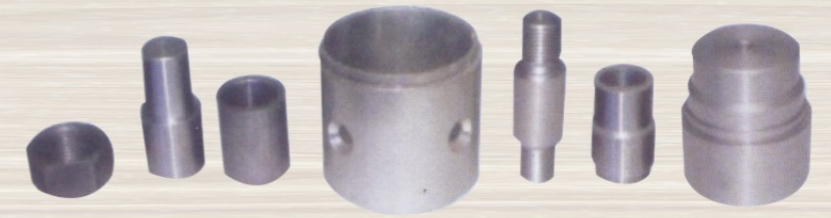
异形钢管
Deformed steel tube



异形钢管
Deformed steel tube

零部件 Components and parts

凝重科技力量，缔造科学大品质
Condense strength of science and technology,
create keda famous brand

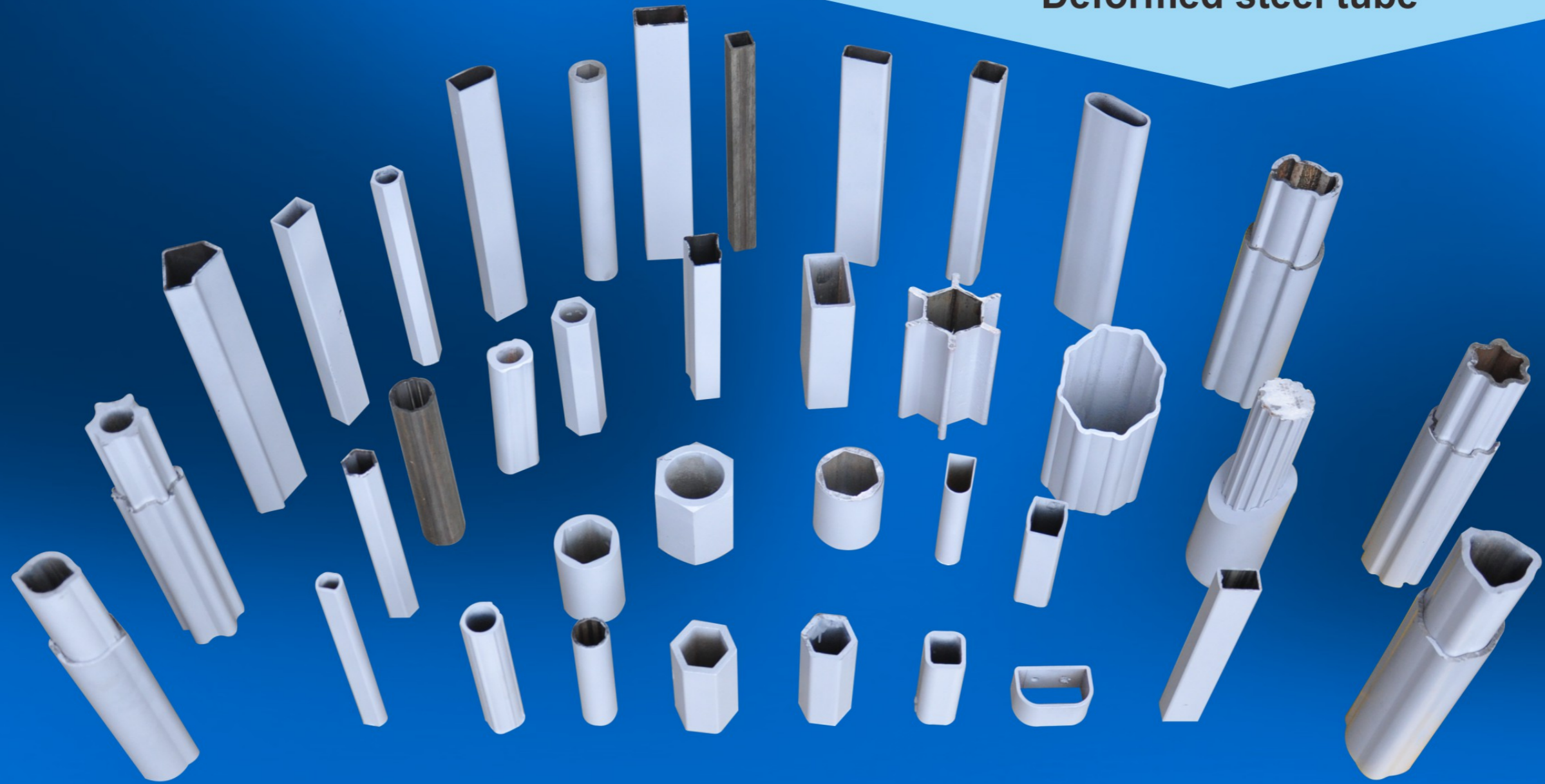


诚信为本，质量第一
服务至上，追求卓越

Honesty, Quality first, Service first,
The pursuit of excellence



各种异形钢管 Deformed steel tube



顾客的要求就是我们永恒的追求！

The requirements of customers is our eternal pursuit !

