



SWIMMING POOL AND SPA PRODUCTS



SMARTER WATER FOR
A SMARTER HOME

LASWIM

SWIMMING POOL AND SPA PRODUCTS

2026.04



Guangdong LASWIM Water Environment Equipment Co.,Ltd

Factory Add: No.16, Jianye Road, Shenghui South Industrial Park, Nantou, Zhongshan City,Guangdong Province,528427, P. R.China

Tel: (0086)760-2312 7666 Fax:(0086)760-2312 7299 Email:info@laswimwater.com

For more information please visit www.laswimwater.com

Website

PUMPS | POOL FILTERS | UNDERWATER LIGHTS | DISINFECTING EQUIPMENT | HEAT PUMP | COMPETITION POOL EQUIPMENT
HYDROTHERAPY EQUIPMENT | POOL FITTINGS AND CLEANERS | SWIM CURRENT MACHINE AND FILTRATION UNITS



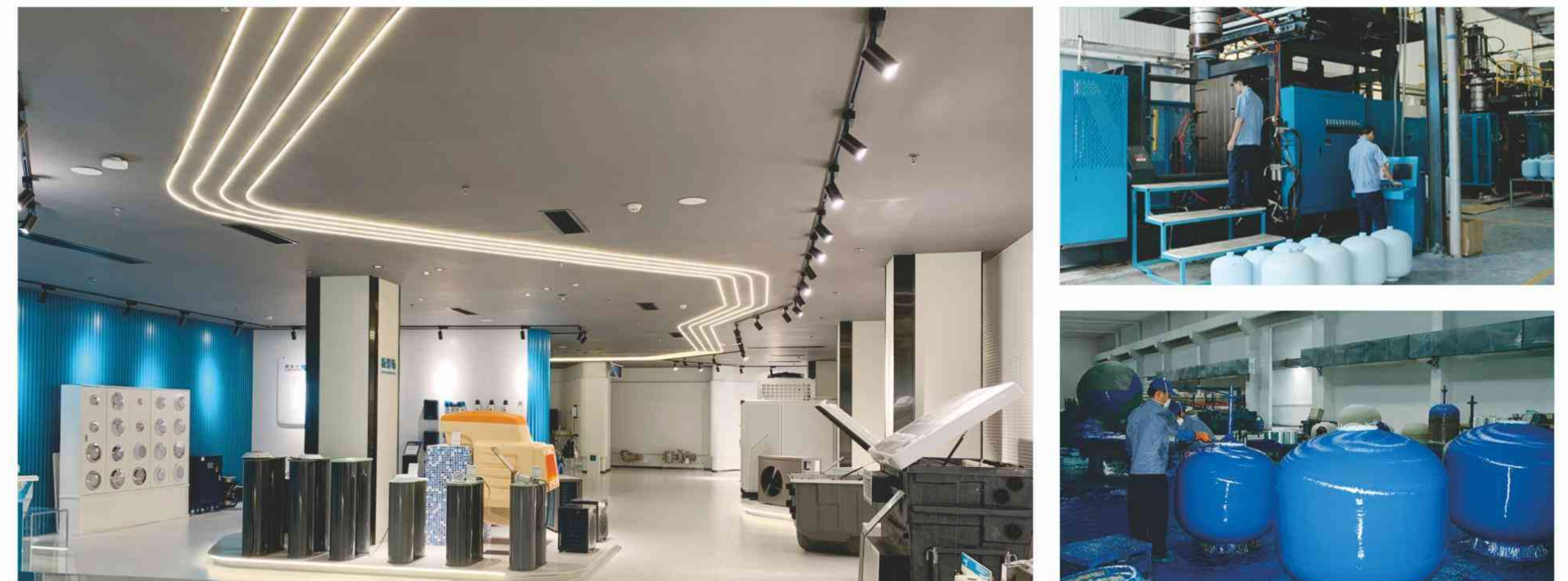
SMARTER WATER FOR A
SMARTER HOME

TO BE A PROFESSIONAL MANUFACTURER WITH A
FULL RANGE OF EQUIPMENT AND TECHNICAL SERVICE IN THE
WATER ENVIRONMENT INDUSTRY.

COMPANY INTRODUCTION

Guangdong LASWIM Water Environment Equipment Co., Ltd, established in 1989, is a leading enterprise in the pool and spa industry in China.

Our production site covers more than 90,000 m² in three cities, Zhongshan, Guangzhou and Taishan. We pride ourselves in our accumulated technical strength and advanced production equipment. Along with a completed quality control system that overlooks all our products. Our computerized quality control equipment is used to maintain European standards.



- 30⁺**
Years of Experience
- 630⁺**
Experienced Staff
- 300⁺**
Types of High-quality Equipments
- 90000 m²**
Production and Research Base

QUALITY ASSURANCE



To maintain this high quality, we are always upgrading ourselves. We have maintained this quality by constantly improving the quality of raw materials, employing industry professionals and streamlining our management methods.

We have passed the ISO 9001: 2015 certification. Many of our products have been certified by CE, TUV and SGS. We can also provide customized product certificates upon request.










Laswim not only manufactures and exports pool & spa products but also provides the related service such as design, project planning, and the construction of installation.

At Guangdong LASWIM Water Environment Equipment Co., Ltd, we always supply the most professionally integrated solutions to clients.

WE STAND BY OUR CORPORATE PHILOSOPHY OF "DILIGENCE, WIN-WIN".

We sincerely invite you to promote the development of the pool and spa industry with us. Together we can promote a healthier, more comfortable and forward-thinking lifestyle for all of mankind.

CONTENTS

	PUMPS	003
	POOL FILTERS	025
	UNDERWATER LIGHTS	063
	DISINFECTING EQUIPMENT	103
	HEAT PUMP	125
	COMPETITION POOL EQUIPMENT	143
	HYDROTHERAPY EQUIPMENT	147
	POOL FITTINGS & CLEANERS	155
	SWIM CURRENT MACHINE & FILTRATION UNITS	171



PROVIDING A HEALTHY AND COMFORTABLE WATER EXPERIENCE

SMARTER WATER FOR A
SMARTER HOME



PUMPS

HLVSP VARIABLE SPEED PUMP

LASWIM creatively combines the most advanced technology (Permanent magnet brushless DC motor) with the professionally designed hydraulic structure of the swimming pool pump to create a more usable, quieter, more intelligent, more efficient and less expensive variable speed pool pumps.



Material:

- Pump housing: PP+35%GF
- Filter basket: PP
- Shaft: SS316
- Mechanical Seal: stationary face-SIC, rotating face- Graphite, seal bellows-NBR, Spring- 316L
- Impeller: PPO+30% GF
- Diffuser: PPO+30% GF



Simple and fast operation

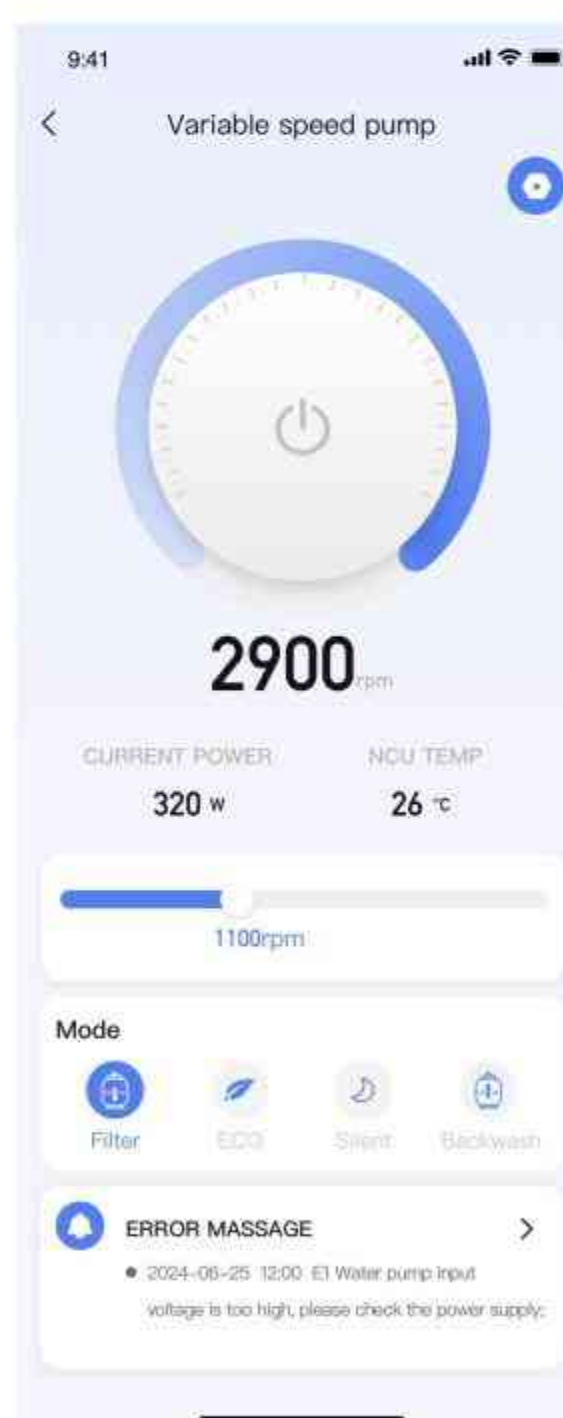
- Comes with 4 pre-set most commonly used working modes.
- One-button tap, directly to the desired function.
- Stepless variable speed technology, 1000-2900 rpm can be adjusted freely to meet various professional needs.

Quiet

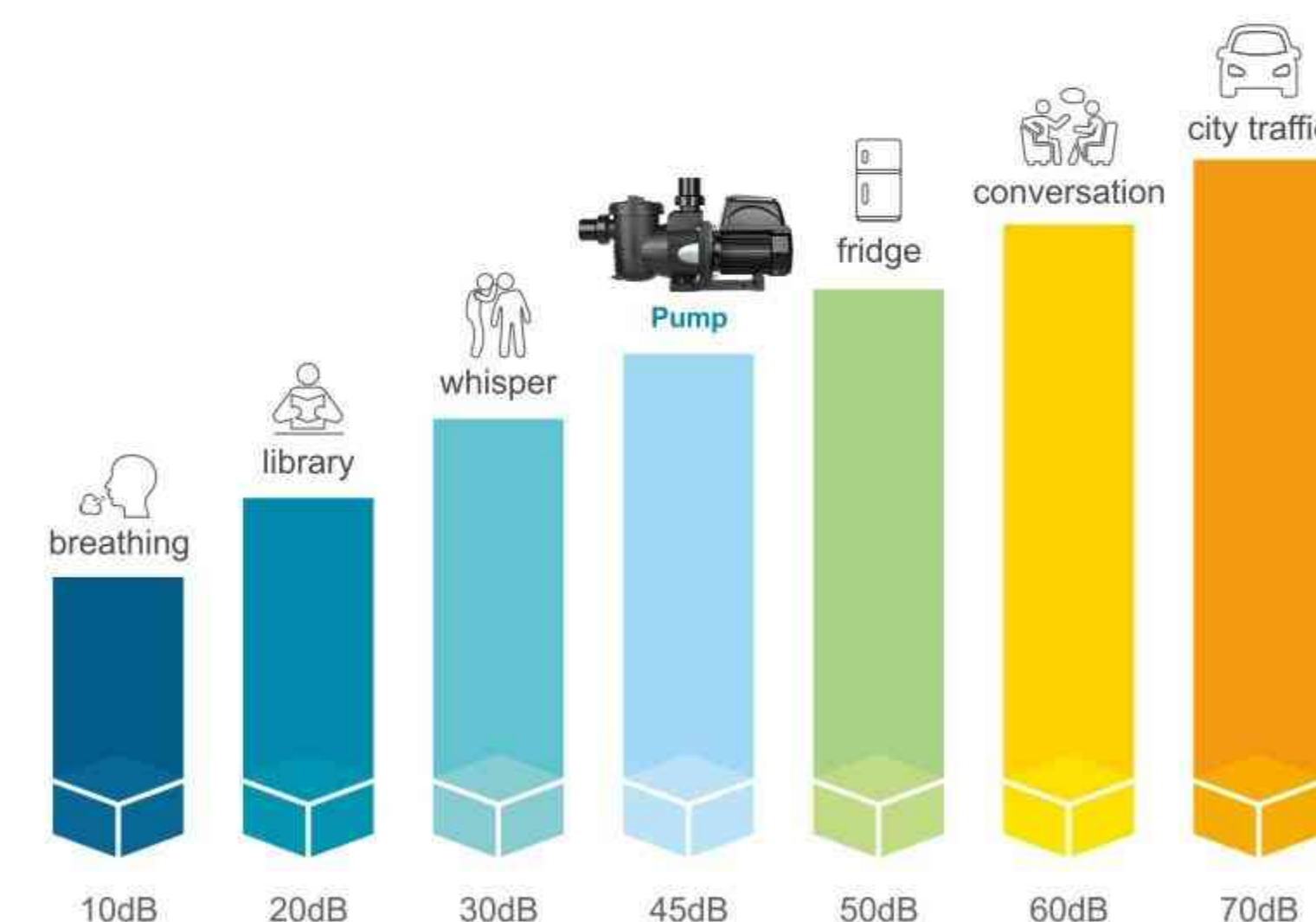
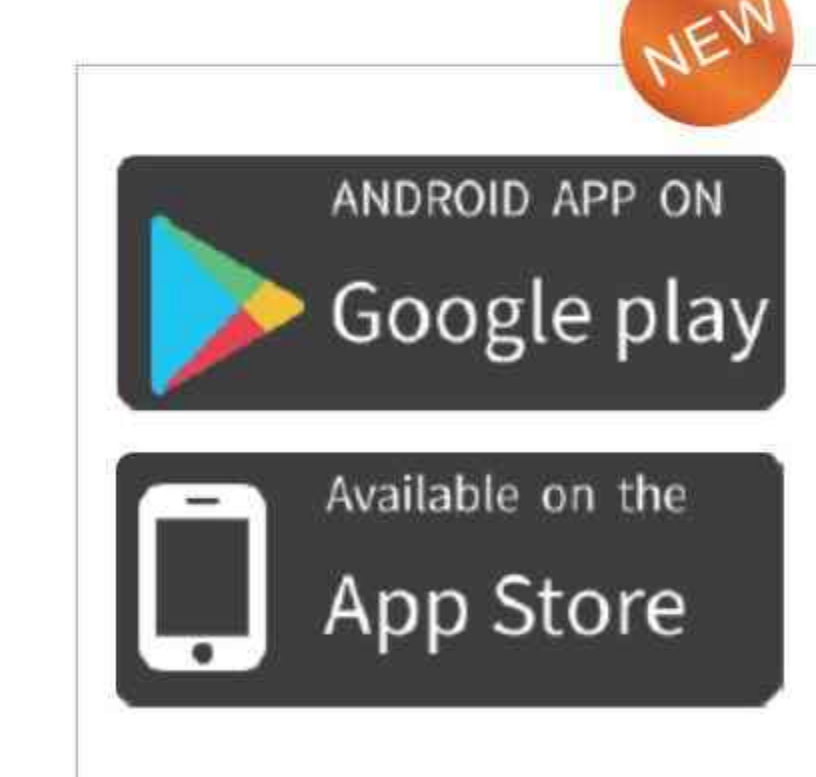
- HLVSP pumps reduce operating noise, featuring an upgraded motor drive that delivers quieter high-speed operation.
- Sound level 45dB in 1 meter at the speed of 1400rpm.

Intelligent

- All operations can be completed via mobile APP.
- Support centralized management of multiple devices, you can check the status of the water pump in real time, customize functions and the protection against accidental power failure.
- Support OTA upgrade, support firmware update.



DOWNLOAD THE APP "TUYA" FROM GOOGLE PLAY OR APP STORE.



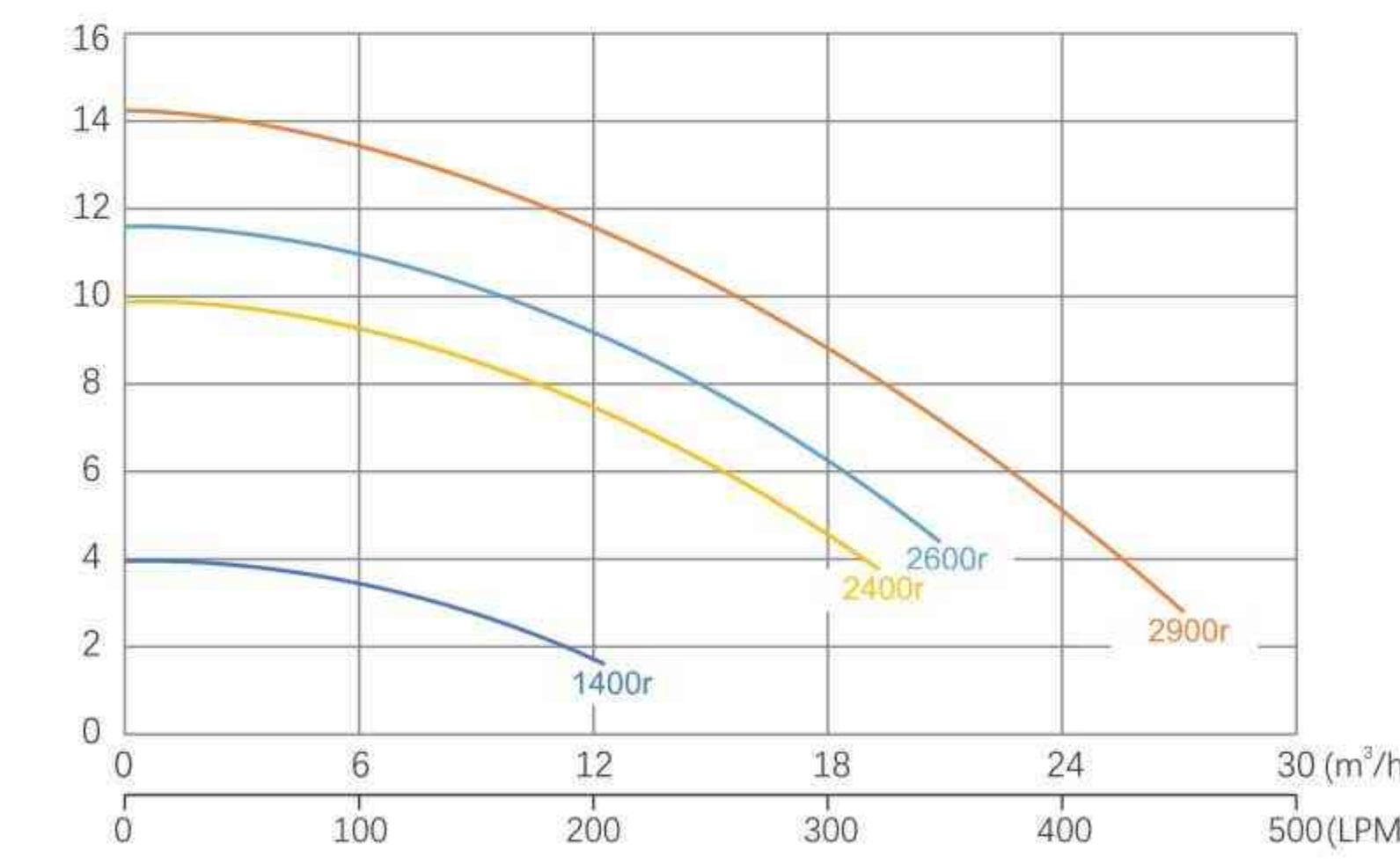
Energy saving

- HLVSP pumps reduce the energy by up to 90%, saving up to 12,614kWh(2hp pump runs in 365days).

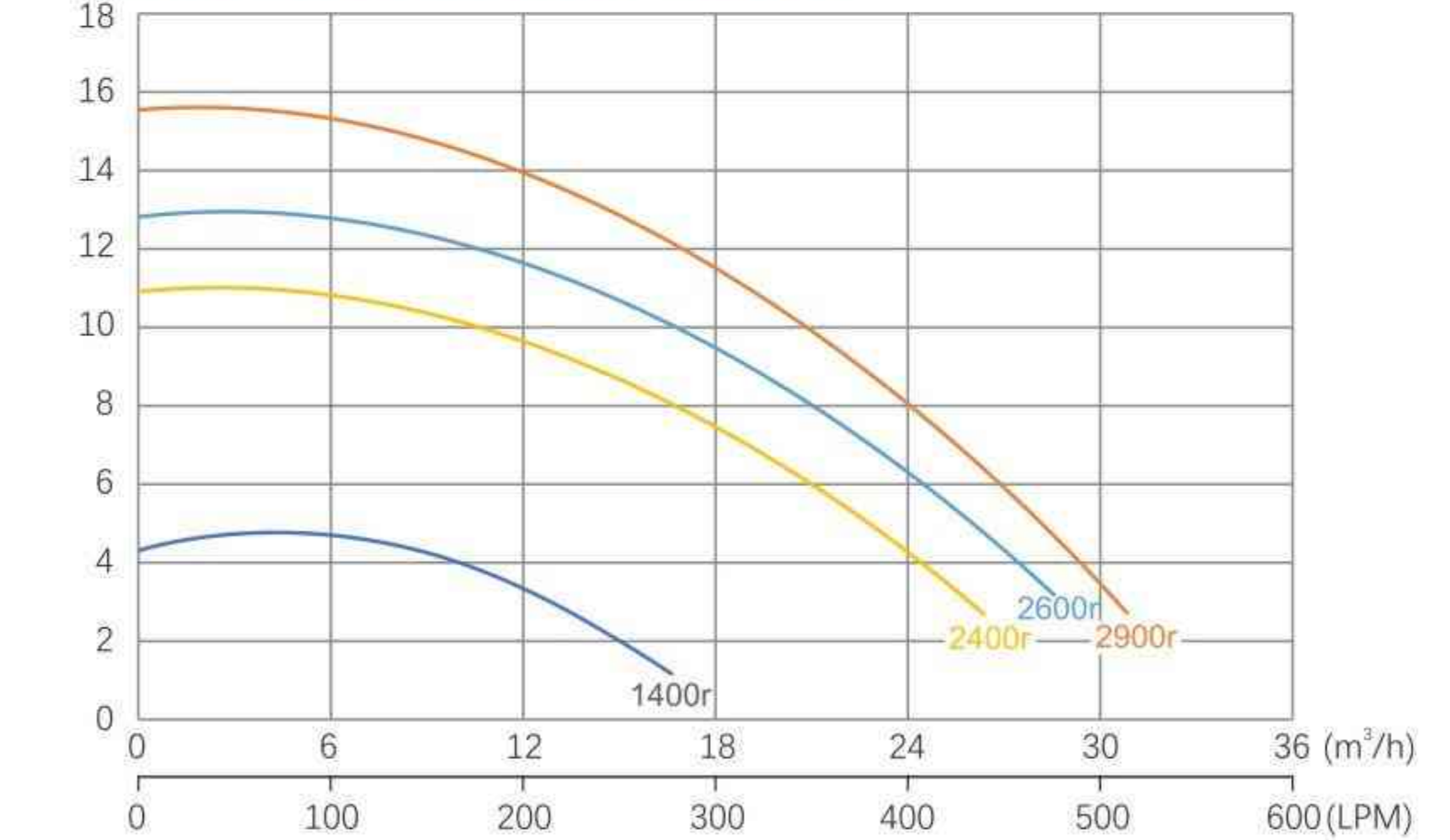
High energy efficiency

- High efficiency motor IE4.
- Ambient temperature: up to 45°C (113°F).
- Insulation Class: F.
- IP55 waterproof standard.
- Liquid temperature: 5~50°C (41~122°F).
- Maximum working pressure: 3.5bar.

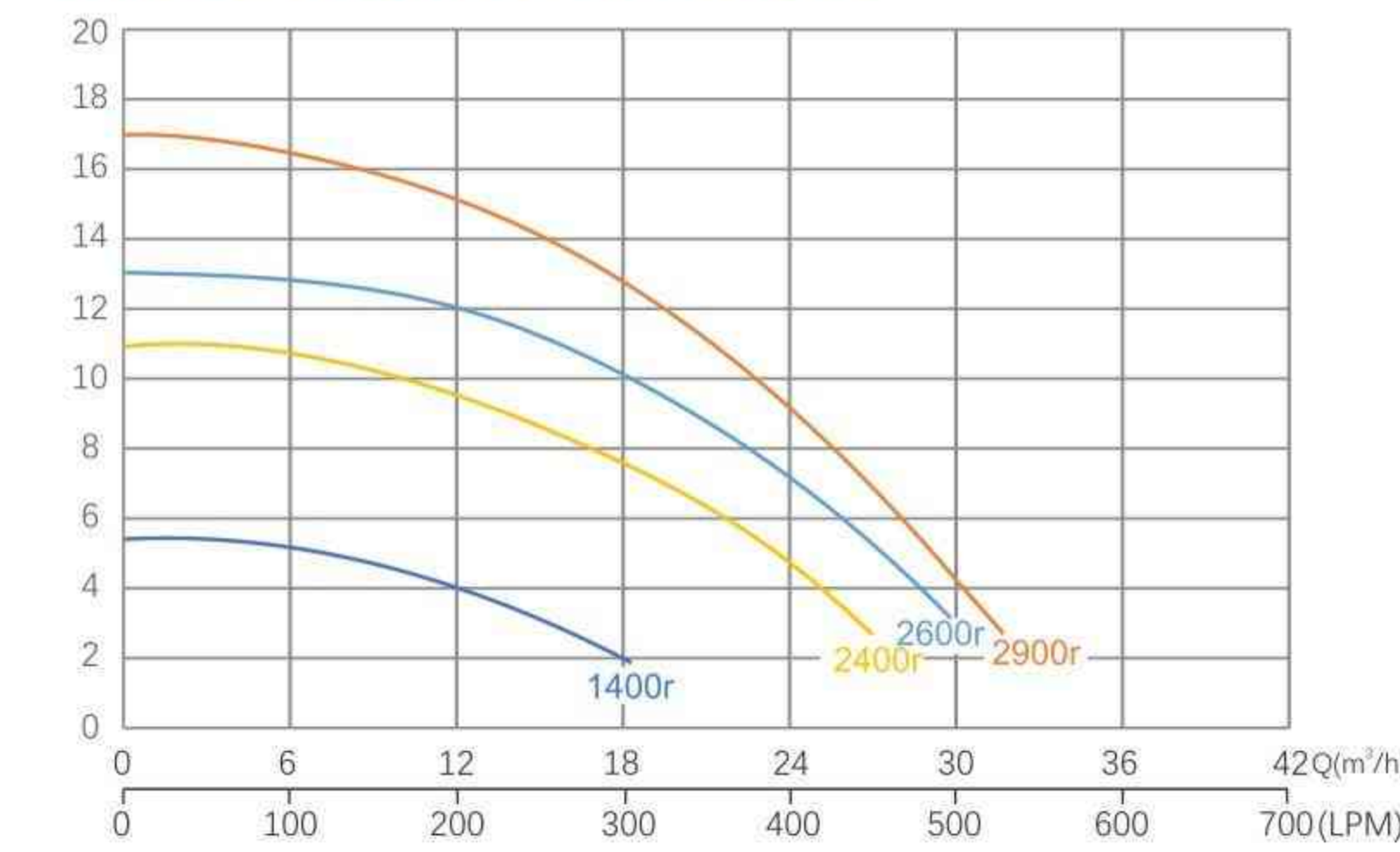
QH.Curve of HLVSP100QW



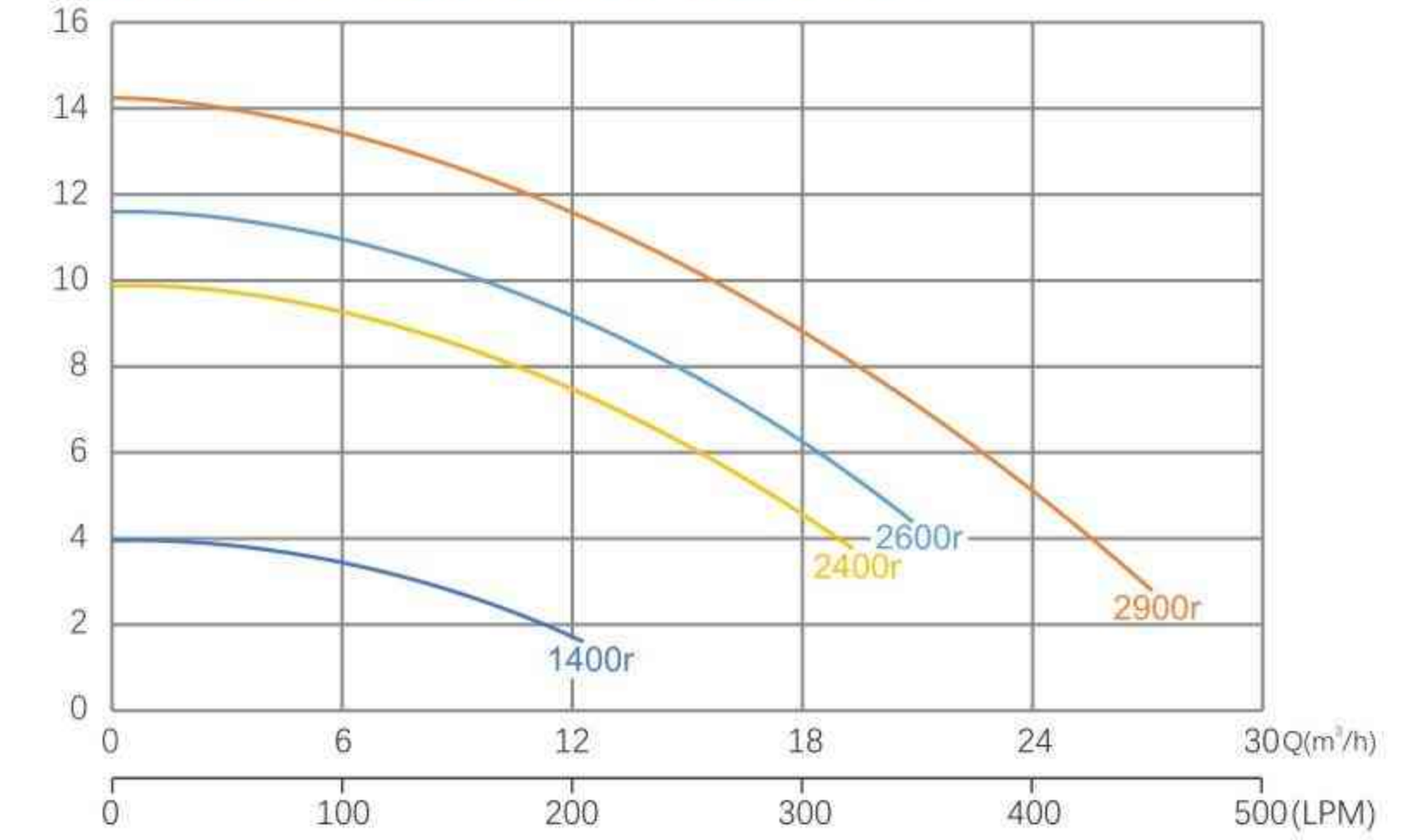
QH.Curve of HLVSP150QW



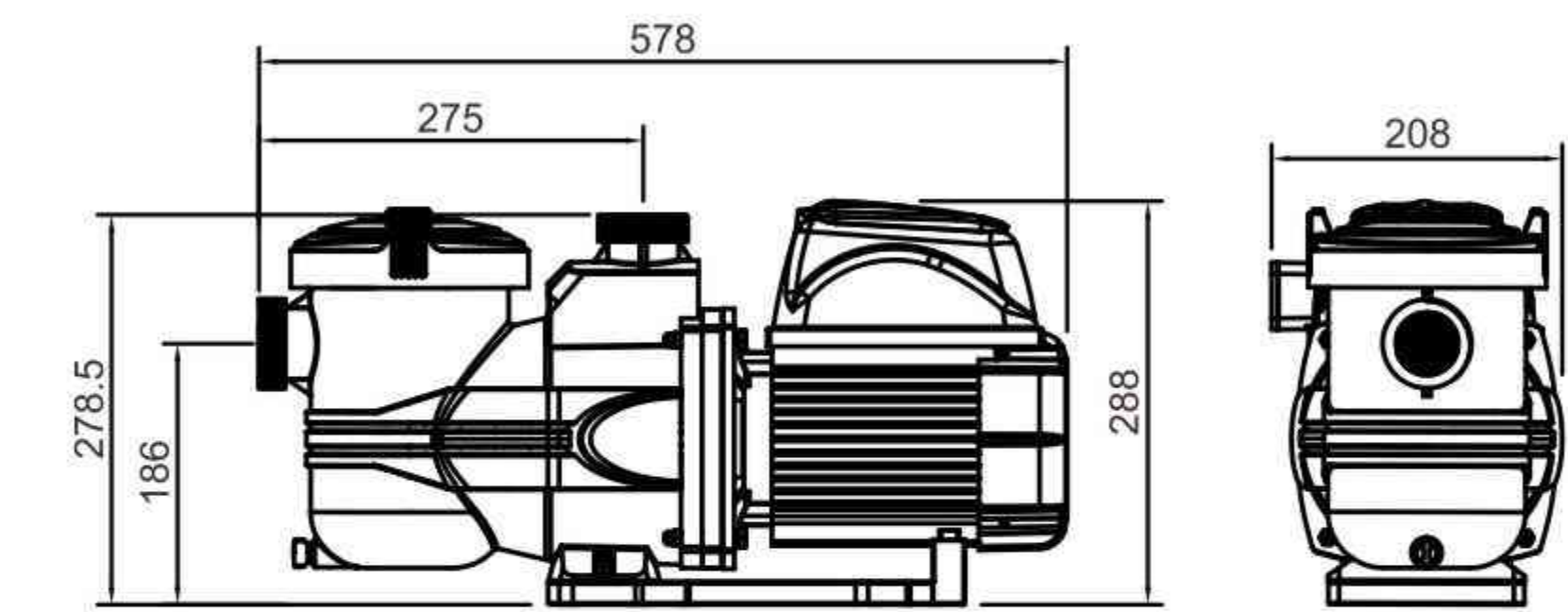
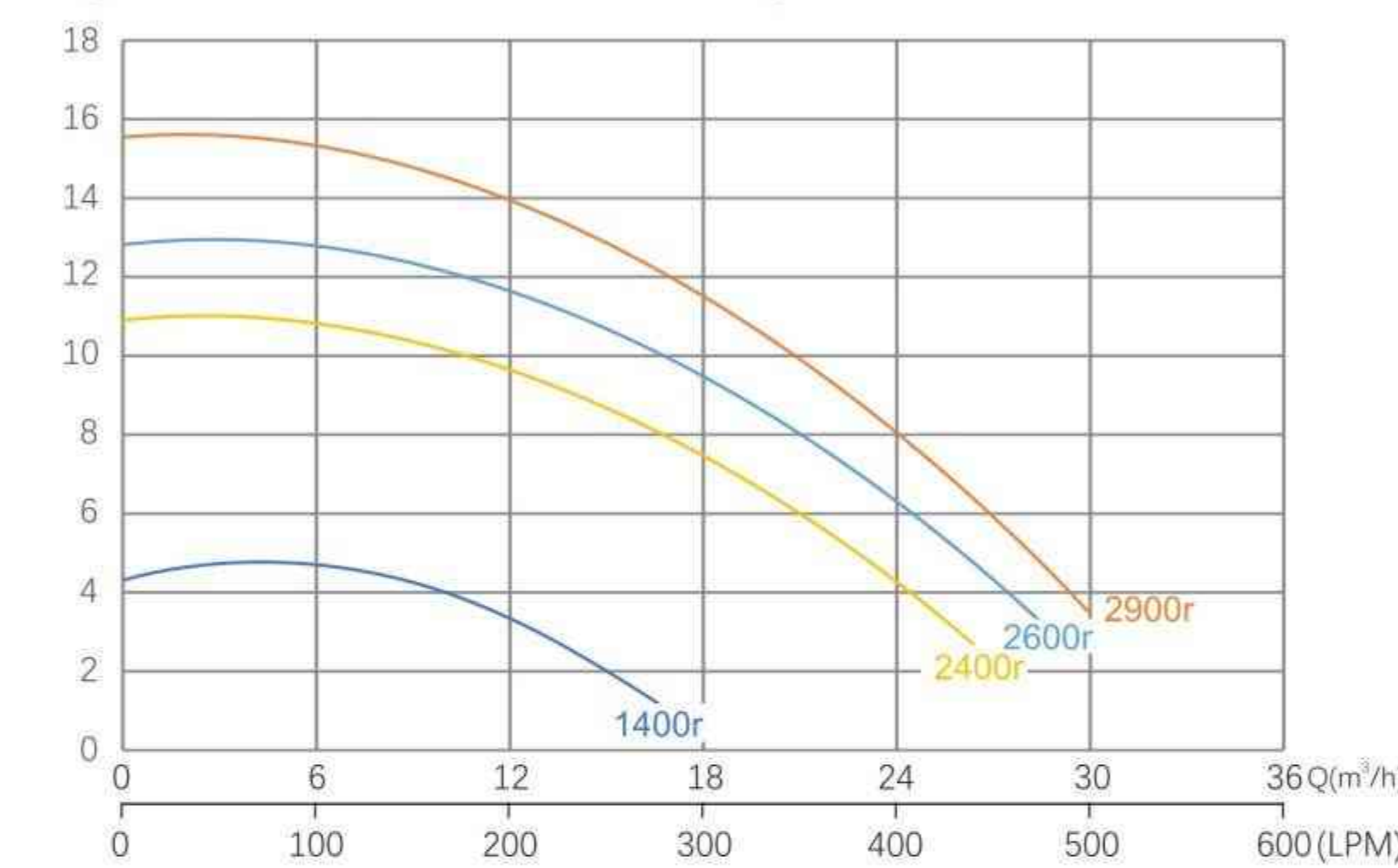
QH.Curve of HLVSP200QW



QH.Curve of HLVSP100QWU



QH.Curve of HLVSP150QWU



Model	Output power (P2)		Rated power supply	Max. current (A)	RPM	Q-max (m³/h)	H-max (m)	Circulation Flow		Connection Size	Packing size (mm)
	Horse power (HP)	Rated power (kW)						Flow at 8 m (m³/h)	Flow at 10 m (m³/h)		
WL-HLVSP100QW	1	0.75	220V-240V; 50Hz/60Hz	4.1	1000-2900	27	14.5	20	16	2" 63mm	620×280×380
WL-HLVSP150QW	1.5	1.1		5.5		30	16	24	21		
WL-HLVSP200QW	2	1.5		7		33	17	26	23		
WL-HLVSP100QWU	1	0.75	110-120V; 50/60Hz	8		27	14.5	20	16		
WL-HLVSP150QWU	1.5	1.1		11	30	16	24	21			

HV2 INTELLIGENT VARIABLE SPEED PUMP

WL-HV2 intelligent variable speed pump is an innovative product that combines high performance and reliability. It features ultra-quiet running, optimal speed and flow rate, which improves the efficiency of the pump, reduces maintenance and operation costs, and creates a sustainable, environmentally friendly and energy-saving solution for swimming pool water circulation.



Product Material

- Pump body:PP+35%GF
- Seal plate:PP+35%GF
- Diffuser:PPO+30%GF
- Impeller:PPO+30%GF+copper core
- Motor shaft:SS316
- Basket:PP
- Max. Working pressure:3.5bar
- Pump base:PP+35%GF
- Mechanical seal:Stationary face-SIC,rotating face-Graphite,seal bellows-NBR, Spring-316L
- Self-priming:Up to 3M
- Protection class:IP55
- Liquid Temperature:5-50°C(41~122°F)
- Ambient Temperature:5-50°C(41~122°F)

Energy saving

- HV2 pumps reduce the energy by up to 90%, saving up to 12,614kWh(2hp pump runs in 365 days).

Excellent hydraulic performance

- The advanced hydraulic design enables the HV2 pump to achieve a self-priming capability up to 3 meters, high head and massive flow.

Intelligent and Smart Control

- Wi-Fi connectivity, mobile App control, OTA upgrade.
- RS485 communication port, passive dry contact interface.
- Built-in one-operate-one-standby function. Supporting linkage with pumps, and meeting the design specifications for one-operate-one-standby. Equipped with fault alarm and protection, it automatically switches to the standby pump in case of abnormal conditions, ensuring stable operation around the clock.
- Download the App "TUYA SMART" from Google play or App Store.

Fully programmable and up to 4 pre-set speeds and timer functions.

Motor drive includes built-in protection

- Temperature sensor for high temperature protection and anti-freeze protection.
- Pressure probe for monitoring water supply pressure and flow rate changes.
- Dry burn protection.

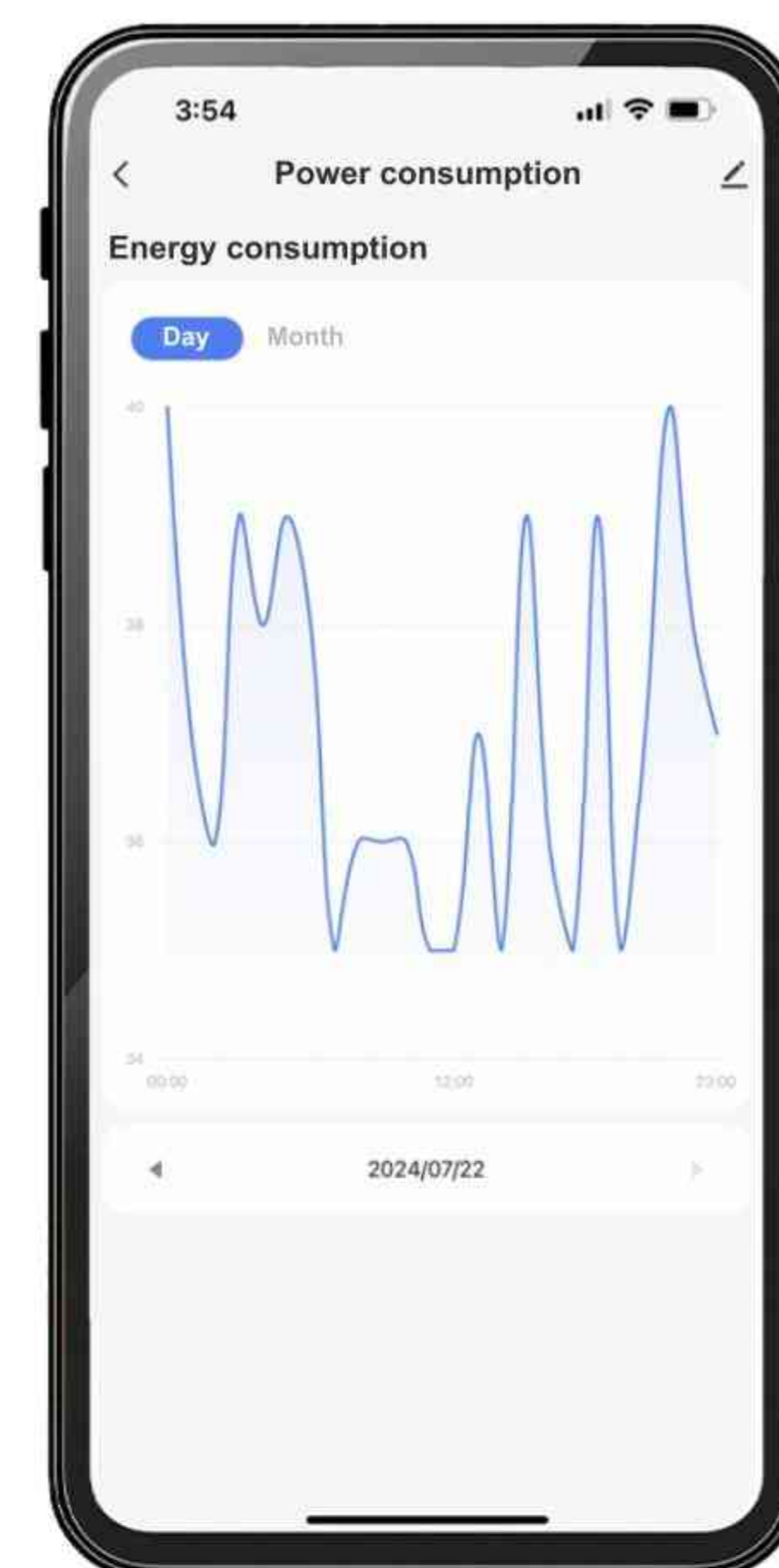


IE4 Motor

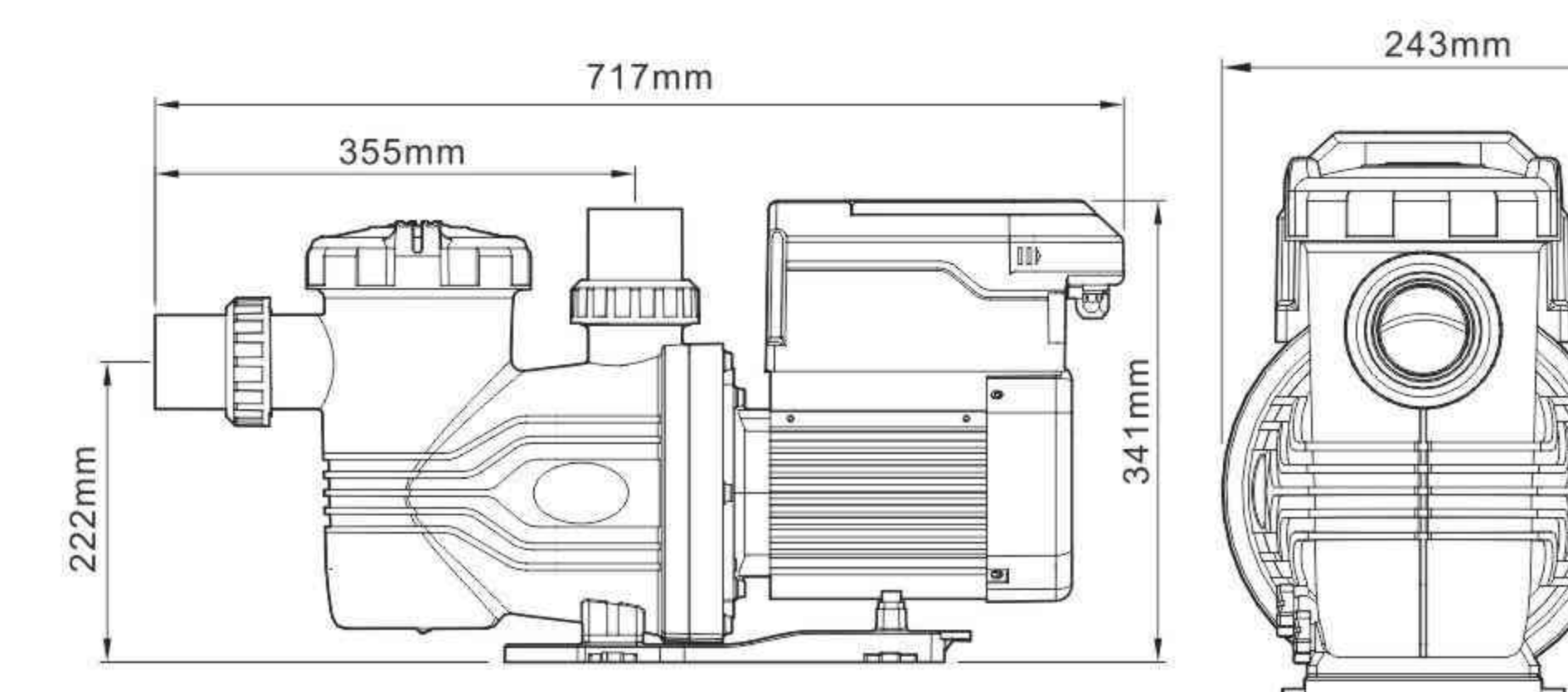
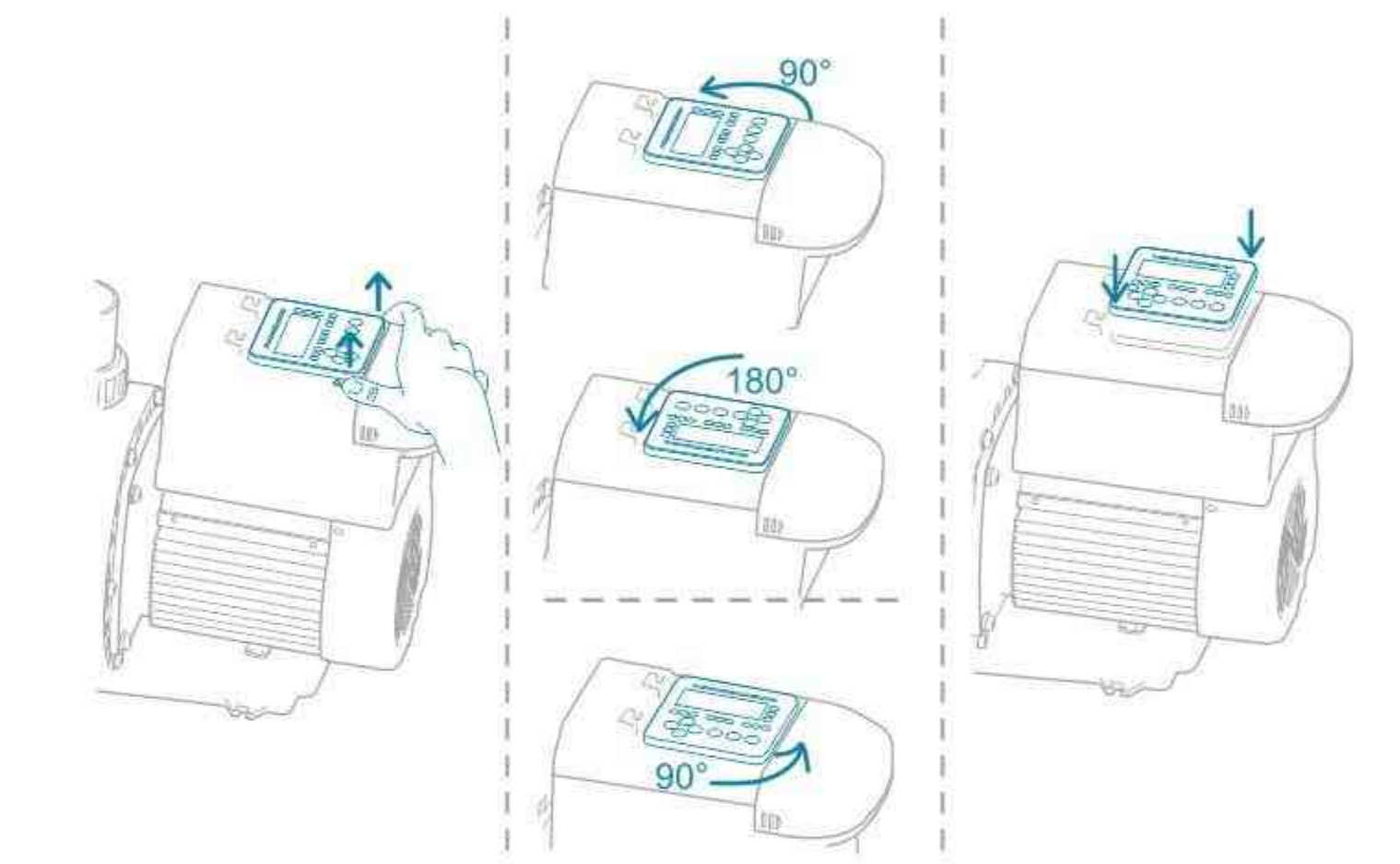
- The IE4 high-efficiency motor is capable of long-term, stable, and efficient operation, delivering greater flow rates and higher head pressures, the overall performance is truly outstanding.

Quite Running

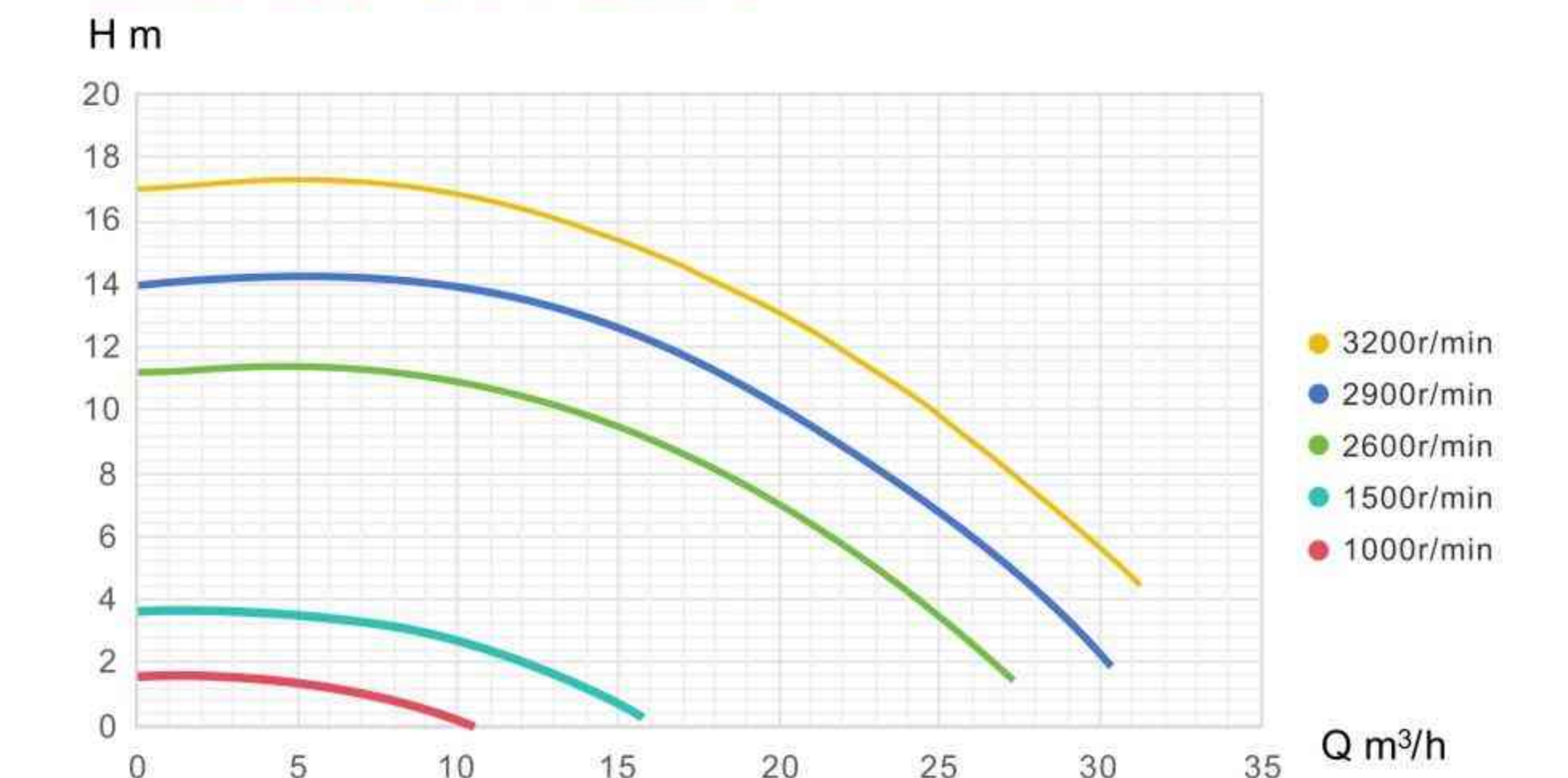
- System sound level 45dB in 1 meter at the speed of 1500rpm.



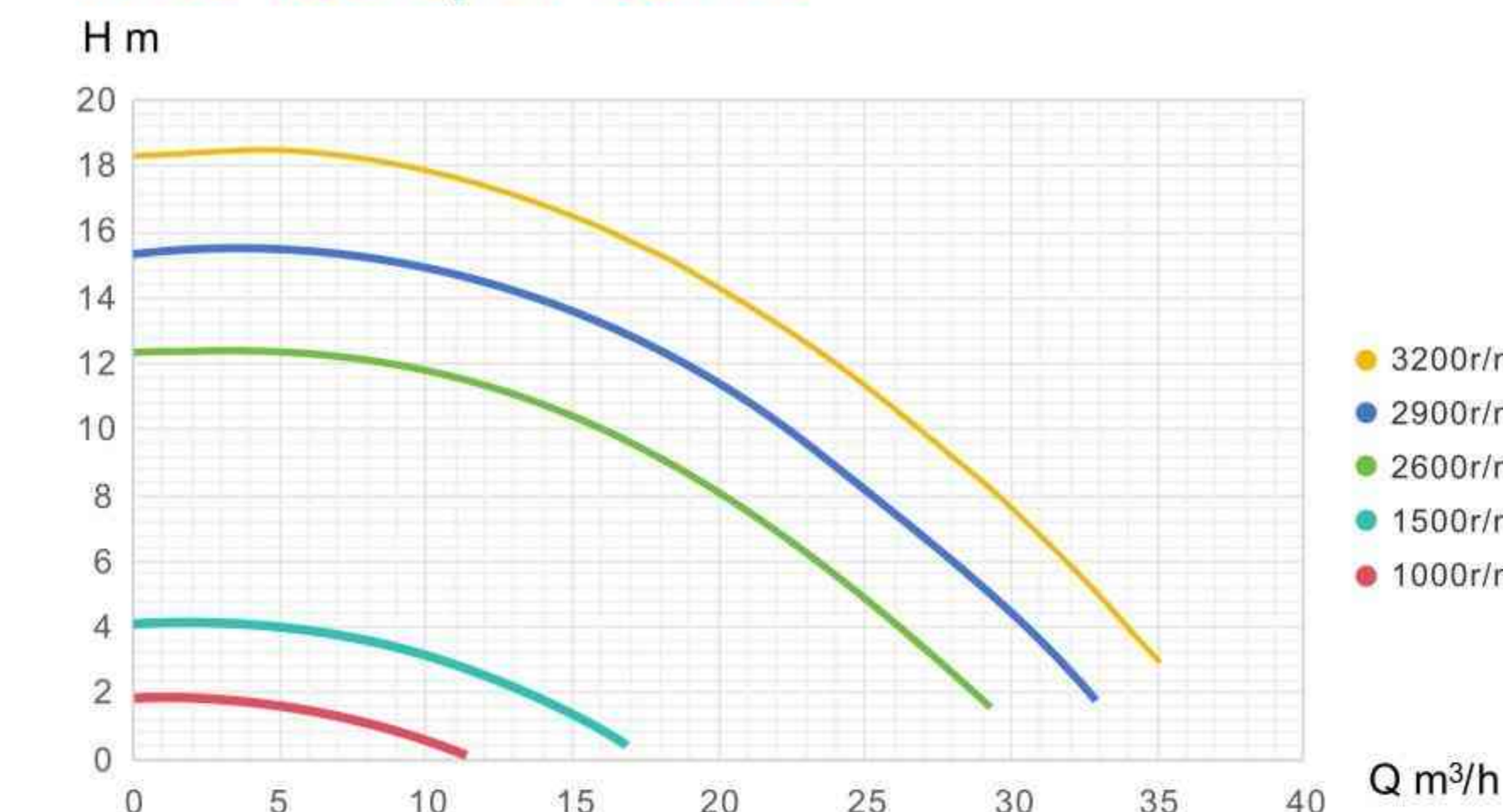
Digital control interface that can be mounted on the pump in 3 different orientations.



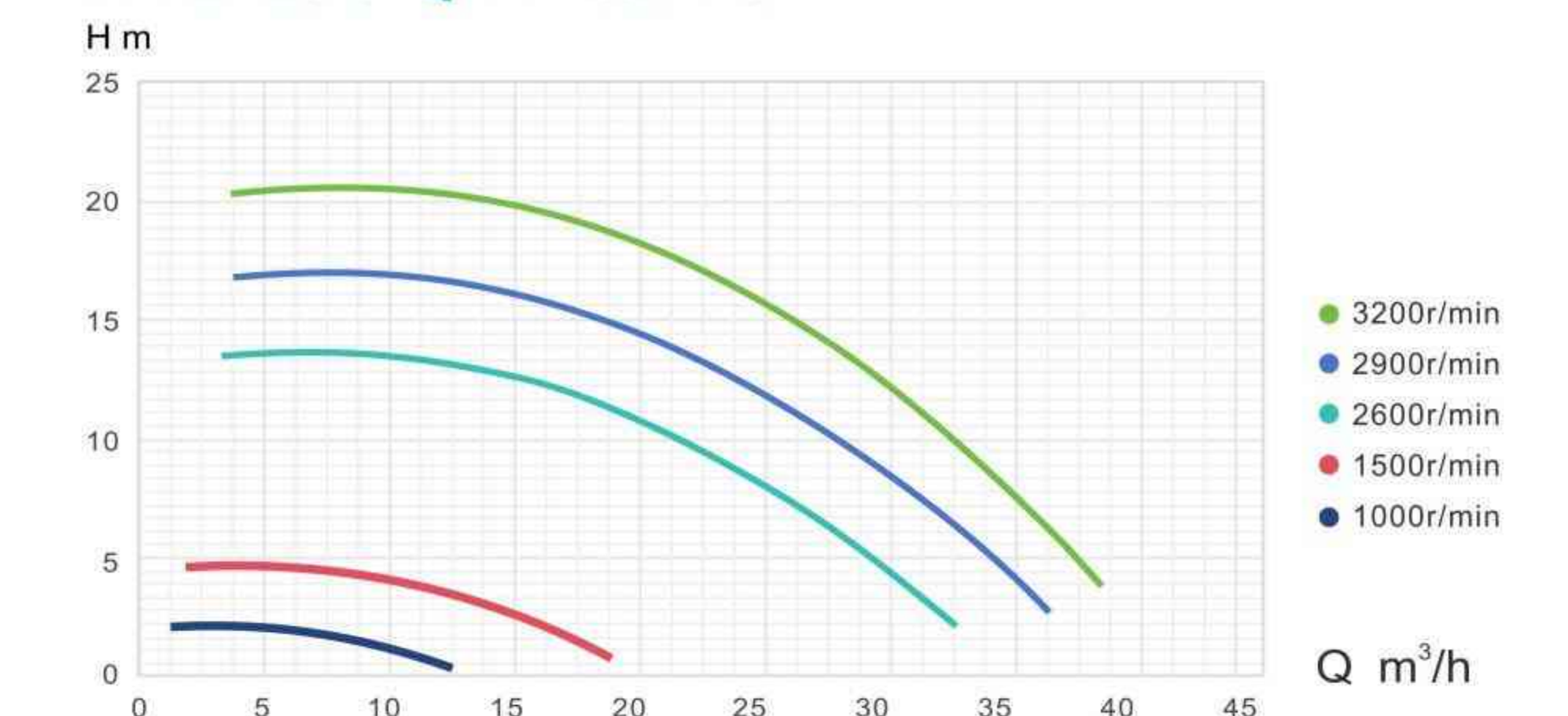
HV2-100 Q-H curve



HV2-150 Q-H curve



HV2-200 Q-H curve



Model	Input Power (P1)	Rated output horse power(P2)	Rated power supply	Max. Current (A)	RPM	Motor energy efficiency Class
WL-HV2-100	1000W	1HP	220-240V 50/60Hz	4.7	1000-3200	IE4
WL-HV2-150	1300W	1.5HP		6		IE4
WL-HV2-200	1650W	2HP		7		IE3

Model	Q-max (m³/h)	H-max (m)	Head		Connection size	noise (dB)
			10m	8m		
			Flow Rate(m³/h) @ 2900rpm			
WL-HV2-100	31	16.9	20	23	2" 63mm	<58
WL-HV2-150	35	18	22.5	25.5		<60
WL-HV2-200	40	20	28	30		<64

BDP SERIES HIGH PERFORMANCE PUMP

BDP series high performance plastic centrifugal pump delivers high flow rates. It is designed for the commercial swimming pool, spa, waterfall and water features to achieve the maximum working efficiency with the lowest noise. Suitable for operation with salt chlorinators and sea water.

Highlight Features:

- IPX5 waterproof standard.
- Asynchronous, two poles.
- Insulation class: F.
- The advanced diffuser and high efficiency turbine maximize water flow and energy efficiency while minimizing turbulence and noise.
- Self-priming up to 3M above water level.
- Built-in thermal protection and overload protection.
- The oversized pre-filter basket(5L) extends the interval between cleanings.
- Liquid Temperature: 5~50°C(41~122°F)
- Ambient Temperature: up to 45°C(113°F)



CE



High Performance



Self-priming Up To 3m

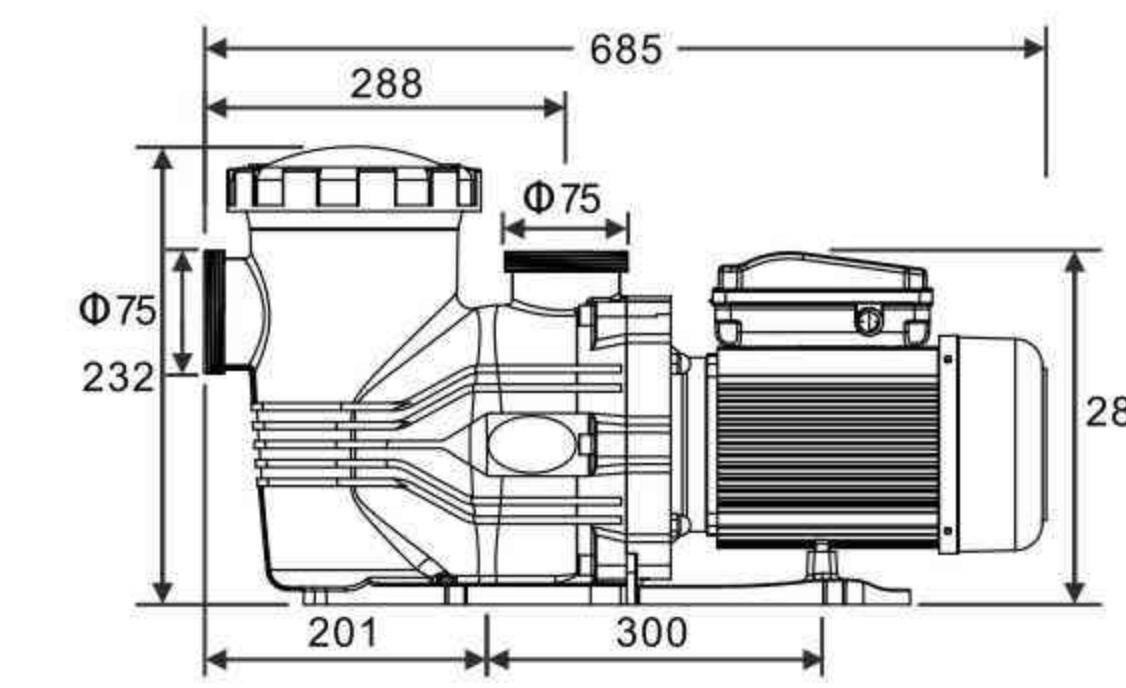
Key Features:

The advanced diffuser and high efficiency turbine maximize water flow and energy efficiency while minimizing turbulence and noise.

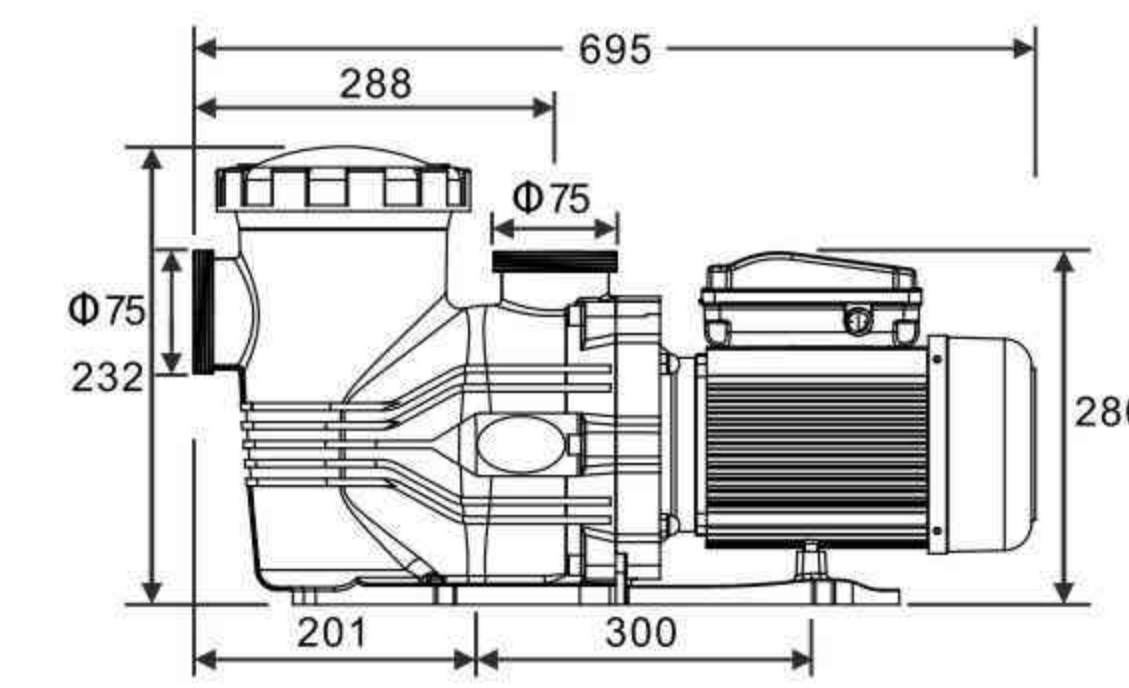


Material:

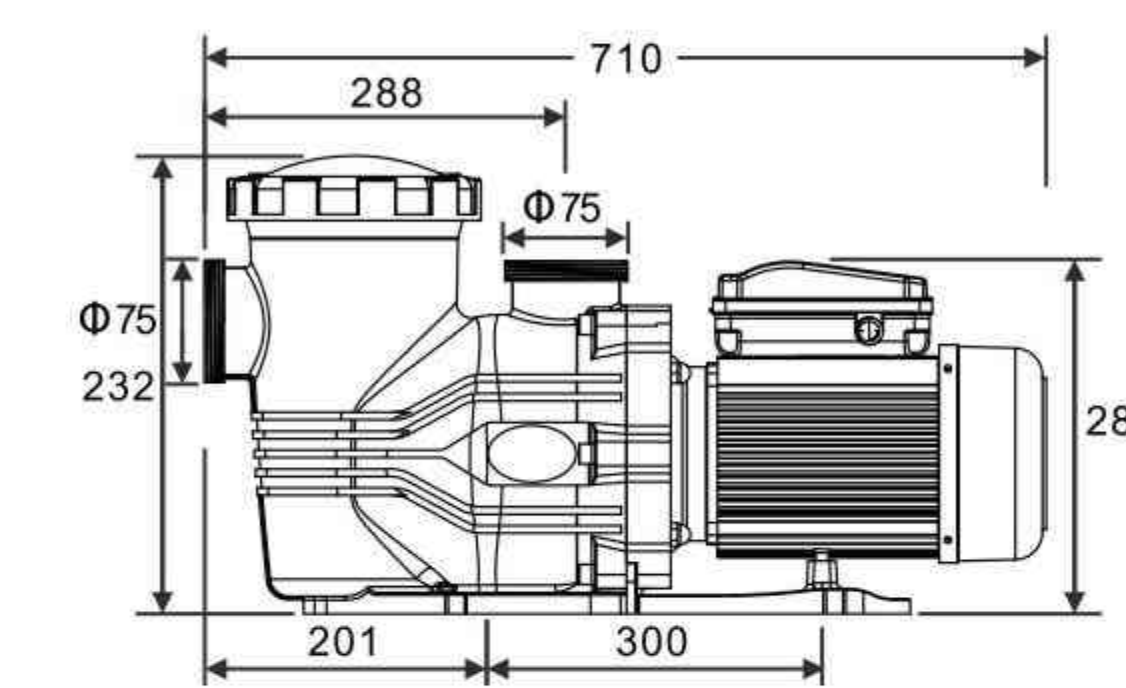
- Pump Housing: PP+35% GF
- Filter basket: PP
- Shaft: SS316L
- Mechanical Seal: stationary face-SIC, rotating face-Graphite, seal bellows-NBR, Spring-316L
- Impeller: PPO+30% GF
- Diffuser: PPO+30% GF
- Pump base: PP+30% GF



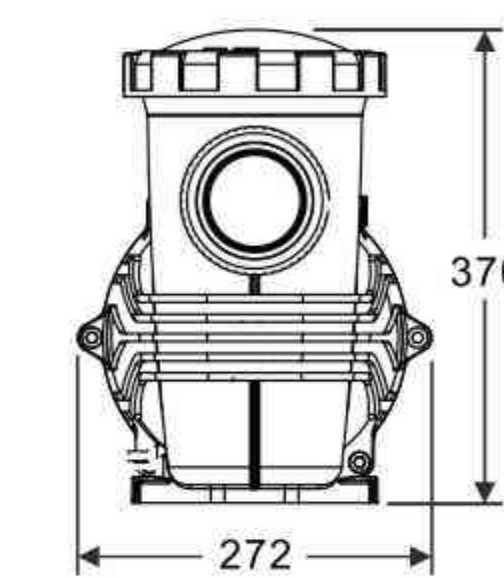
WL-BDP200



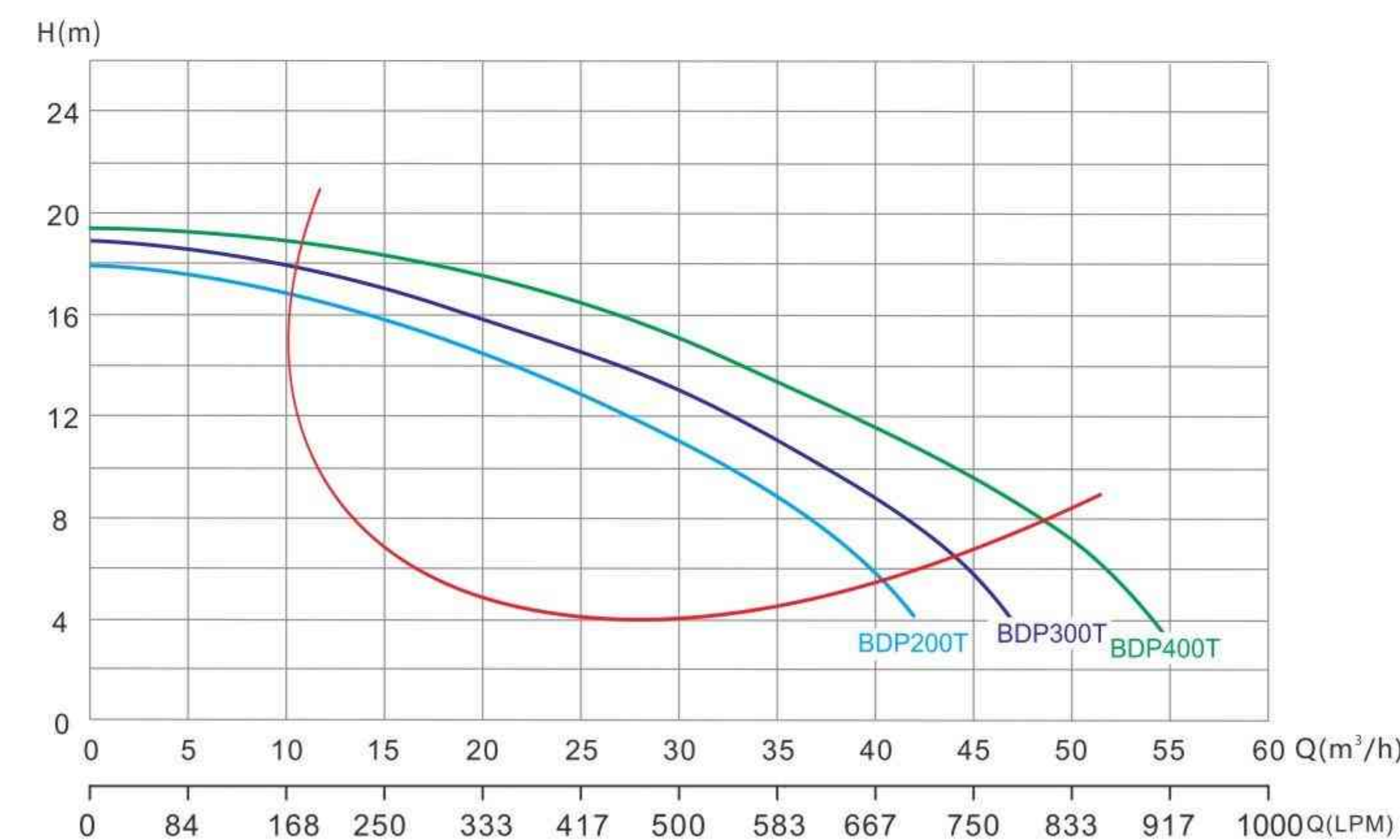
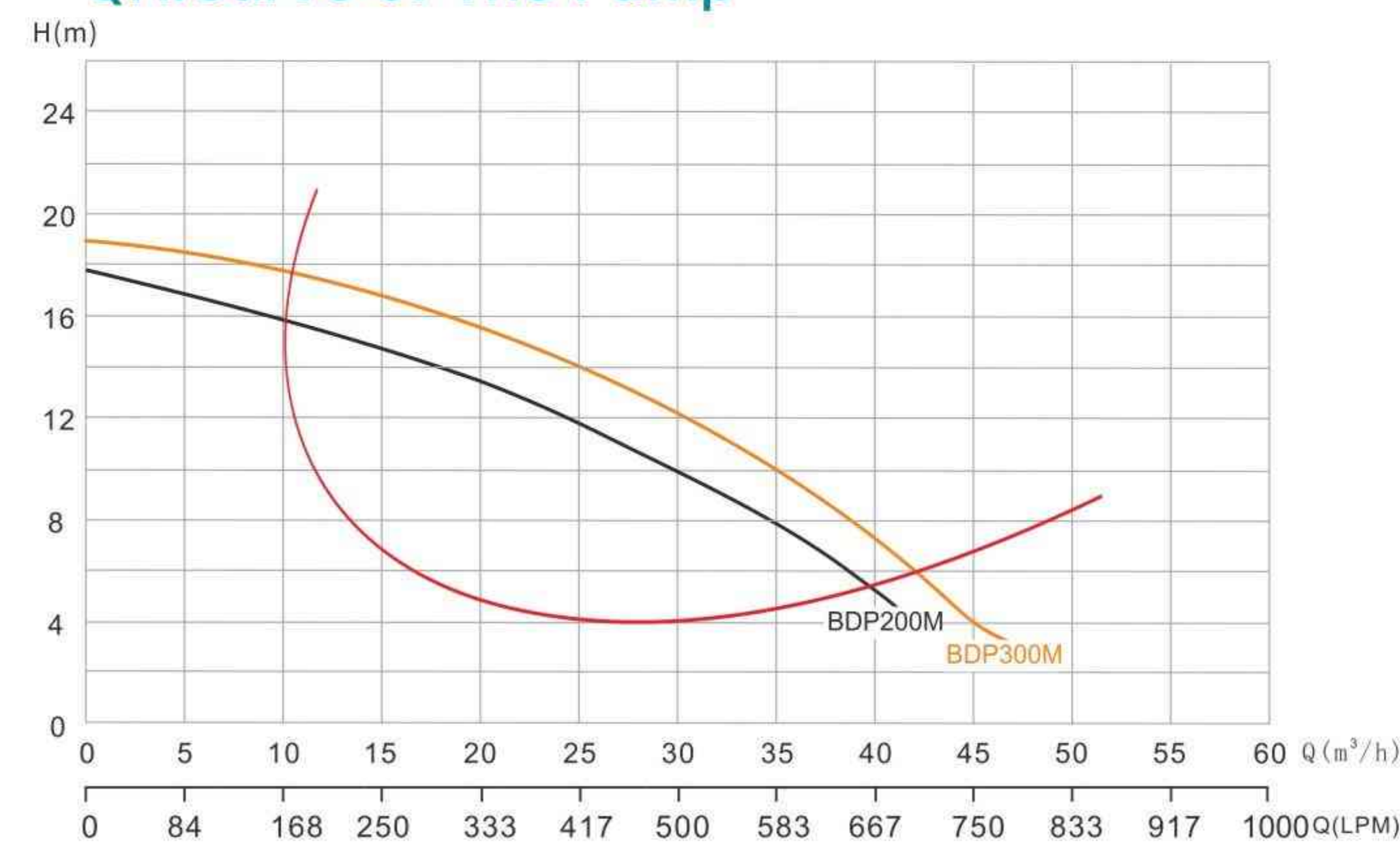
WL-BDP300



WL-BDP400



QH.Curve of The Pump



Model	Q-max (m³/h)	H-max (m)	Horsepower (HP)	Phase	Rated Power (kW)	Voltage (V)	Current (AMP)	Connection Size
WL-BDP200M	42	18	2	1	1.8	220	8.8	2" 63mm
WL-BDP300M	45	18.5	3	1	2.2	220	10.6	2.5" 75mm
WL-BDP200T	43	18.5	2	3	1.8	380	3.2	2" 63mm
WL-BDP300T	48	19	3	3	2.2	380	3.8	2.5" 75mm
WL-BDP400T	55	19.5	4	3	2.7	380	4.6	2.5" 75mm

HLLF SERIES PUMP

Material:

- Pump housing: PP+35%GF
- Filter basket: PP
- Shaft: SS316
- Bearing: NSK
- Mechanical seal: Carbon+Resin-Ceramics (Carbon, Ceramics, SS304,NBR)
- Impeller: Noryl+30% Fiberglass
- Diffuser and pump base: PP+35% Fiberglass

Features:

- The inlet and outlet of this series comes with an external thread, which can be used to connect to metric or imperial pipes.
- The pump has excellent performance and reliable quality, which can bear 25000 times of impact test.
- Low noise: 0.75 HP can lower than 65 dB.
- Liquid Temperature: 5 ~ 50 °C (41 ~ 122 °F).
- Ambient Temperature: up to 45°C (113°F).
- Maximum working pressure: 2.5 bar.
- IPX5 waterproof standard
- Class I protection against electric shock.
- Thermal protection included.
- Motor: 3000r.p.m.
- Single phase:220V/50Hz
- 220V/60Hz, 380V/50Hz are available on request



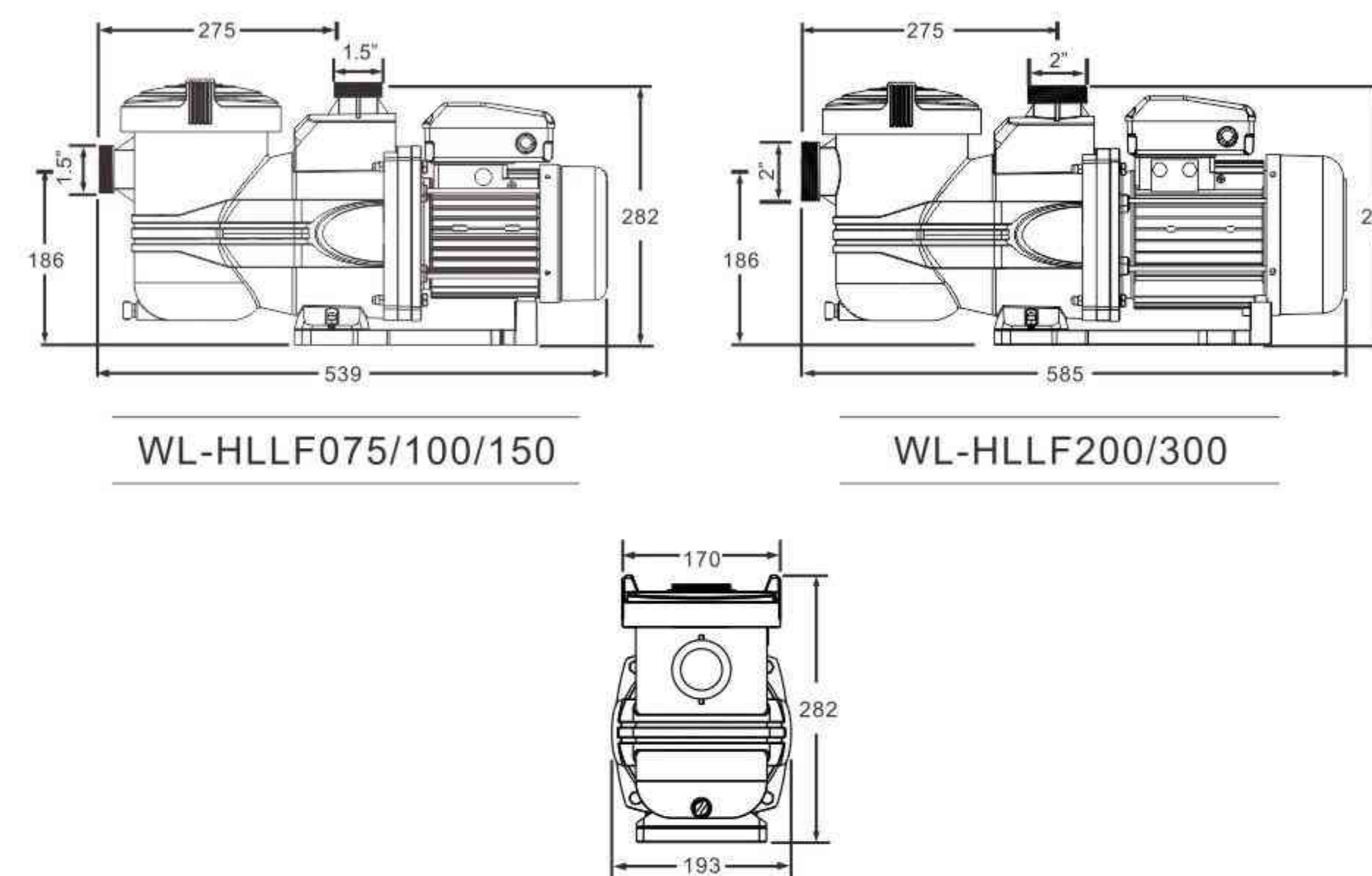
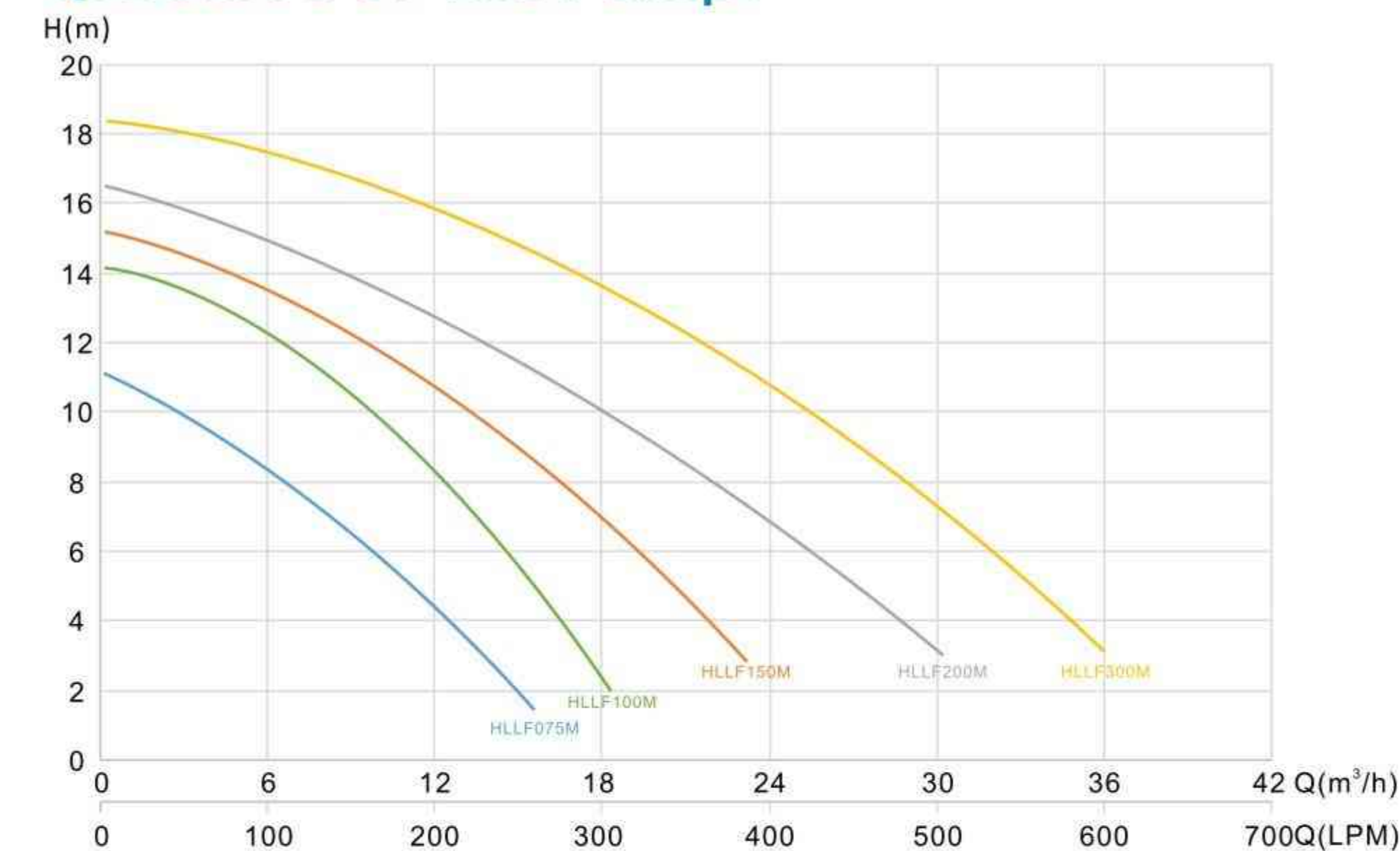
0.75HP-1.5HP



2.0HP-3.0HP

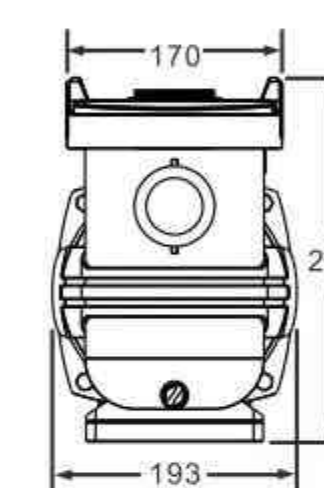


QH.Curve of The Pump:



WL-HLLF075/100/150

WL-HLLF200/300



Model	Q-max (m³/h)	H-max (m)	Horsepower (HP)	Rated Power (kW)	Phase	Voltage (V)	Connection size
WL-HLLF075M	14.8	11.1	0.75	0.6	1	220	1.5" 50mm
WL-HLLF100M	17.4	14.1	1	0.8	1	220	1.5" 50mm
WL-HLLF150M	22.1	15.1	1.5	1.1	1	220	1.5" 50mm
WL-HLLF200M	30.2	16.4	2	1.6	1	220	2" 63mm
WL-HLLF300M	36	18.2	3	2.2	1	220	2" 63mm
WL-HLLF100T	15.8	13.9	1	0.8	3	380	1.5" 50mm
WL-HLLF150T	22.7	15.2	1.5	1.1	3	380	1.5" 50mm
WL-HLLF200T	33.1	16.9	2	1.6	3	380	2" 63mm
WL-HLLF300T	39.8	18.2	3	2.2	3	380	2" 63mm

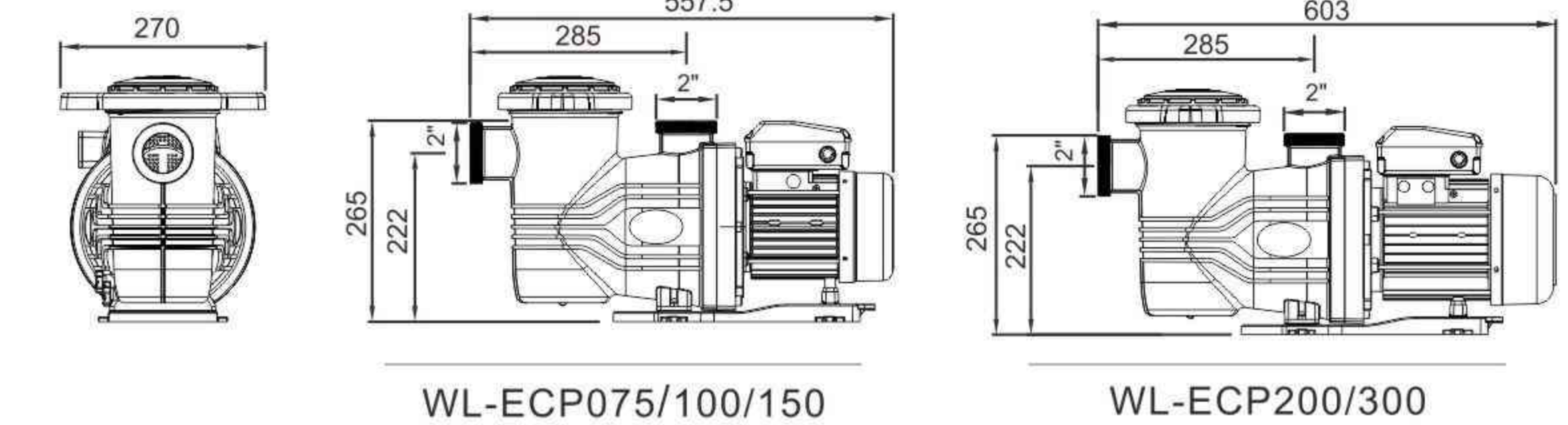
ECP SERIES PUMP



ECP series is a new silent and high-performance swimming pool centrifugal pump, suitable for small and medium-sized water application. With the independently innovative hydraulic structure design, ECP series pool pump improves the efficiency and performance, greatly reduces the vibration and operating noise as well.

Highlight features:

- Asynchronous motor.
- The innovative design on impeller and diffuser makes the higher pump performance and reduces the vibration and noise.
- Protection standard: IP55.
- Insulation class: F.
- Self-priming up to 3m.
- Noise: ≤ 61dB.
- Built-in thermal protection and overload protection (for single phase pump).
- Standard port size: 2", 63mm.
- Motor: 2900r.p.m
- Liquid temperature: 5-50°C(41~122°F).
- Ambient temperature: 5-50°C(41~122°F).
- Maximum working pressure: 3.5bar.



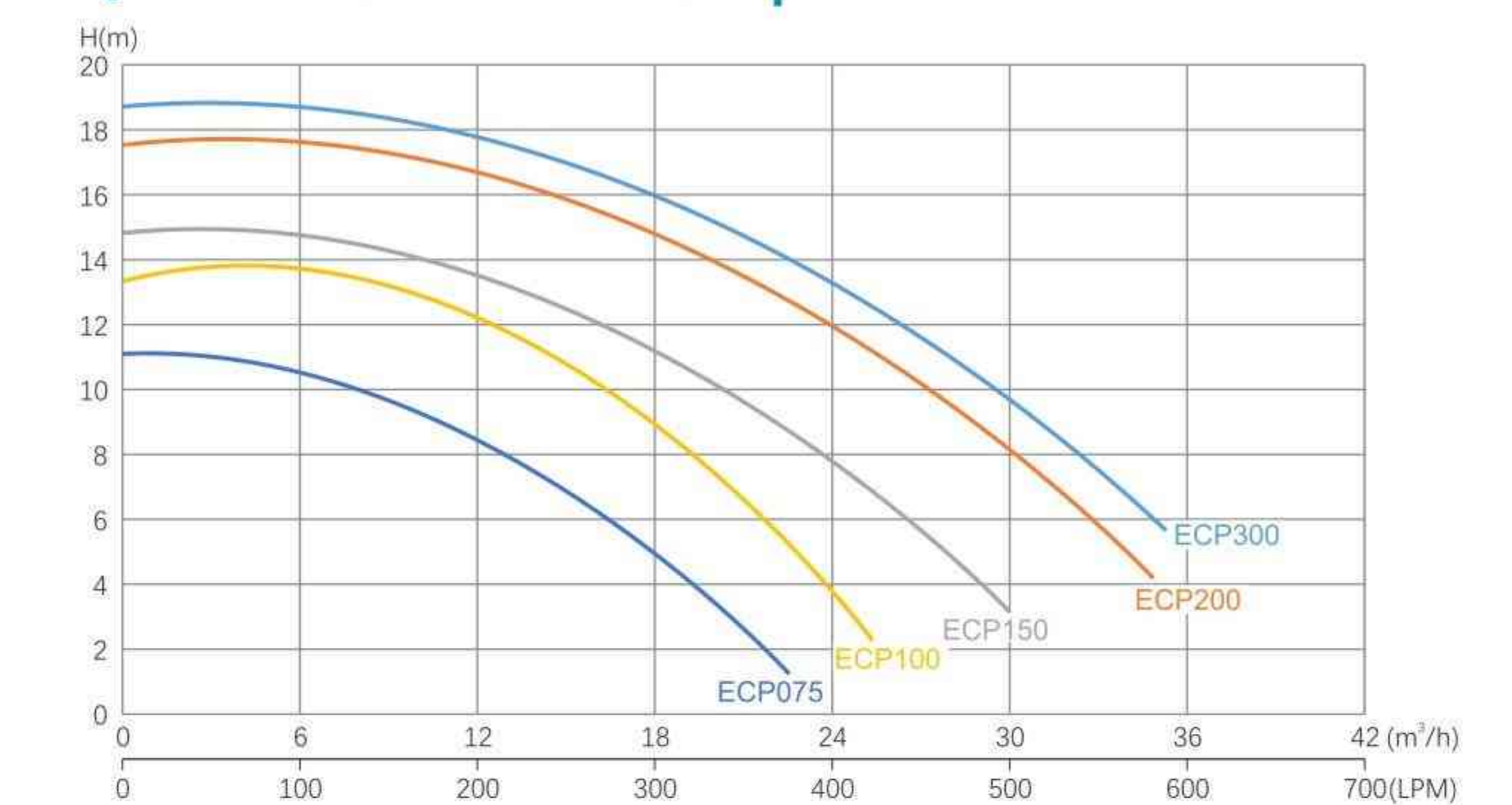
WL-ECP075/100/150

WL-ECP200/300

Material:

- Pump housing: PP+35%GF
- Seal plate: PPO+30%GF
- Diffuser: PPO+30%GF
- Impeller: PPO+30%GF+ Copper core
- Motor shaft: SS316
- Filter basket: PP
- Pump base: PP+35%GF
- Mechanical seal: stationary face-SIC, rotating face-Graphite, seal bellows-NBR, Spring-316L.

QH.Curve of The Pump:



Model	Q-max (m³/h)	H-max (m)	Circulation Flow		Horse Power (HP)	Rated Power (kW)	Voltage (V)	Phase	Connection Size	Noise (dB)
			Flow at 8 m (m³/h)	Flow at 10 m (m³/h)						
WL-ECP075M	22	11.5	13	8	0.75	0.6	220	1	2" 63mm	52.1
WL-ECP100M	24	14	19.5	16.5	1	0.8	220	1	2" 63mm	54.4
WL-ECP150M	30	15	23.5	21.5	1.5	1.1	220	1	2" 63mm	56.9
WL-ECP200M	35	18	30	27	2.0	1.6	220	1	2" 63mm	59.6
WL-ECP300M	36	19	32.5	29.5	3.0	2.2	220	1	2" 63mm	61
WL-ECP100T	24	14	19.5	16.5	1	0.8	380	3	2" 63mm	54.4
WL-ECP150T	30	15	23.5	21.5	1.5	1.1	380	3	2" 63mm	56.9
WL-ECP200T	35	18	30	27	2.0	1.6	380	3	2" 63mm	59.6
WL-ECP300T	36	19	32.5	29.5	3.0	2.2	380	3	2" 63mm	61

XK SERIES POOL PUMP

Introduction

Combining powerful performance with exceptional durability, this pump meets the diverse needs of different customer groups. The motor features mechanical seals, ensuring stable sealing performance and extended service life during prolonged operation, effectively preventing water leakage. The motor is completely isolated from water, making it safe and reliable.

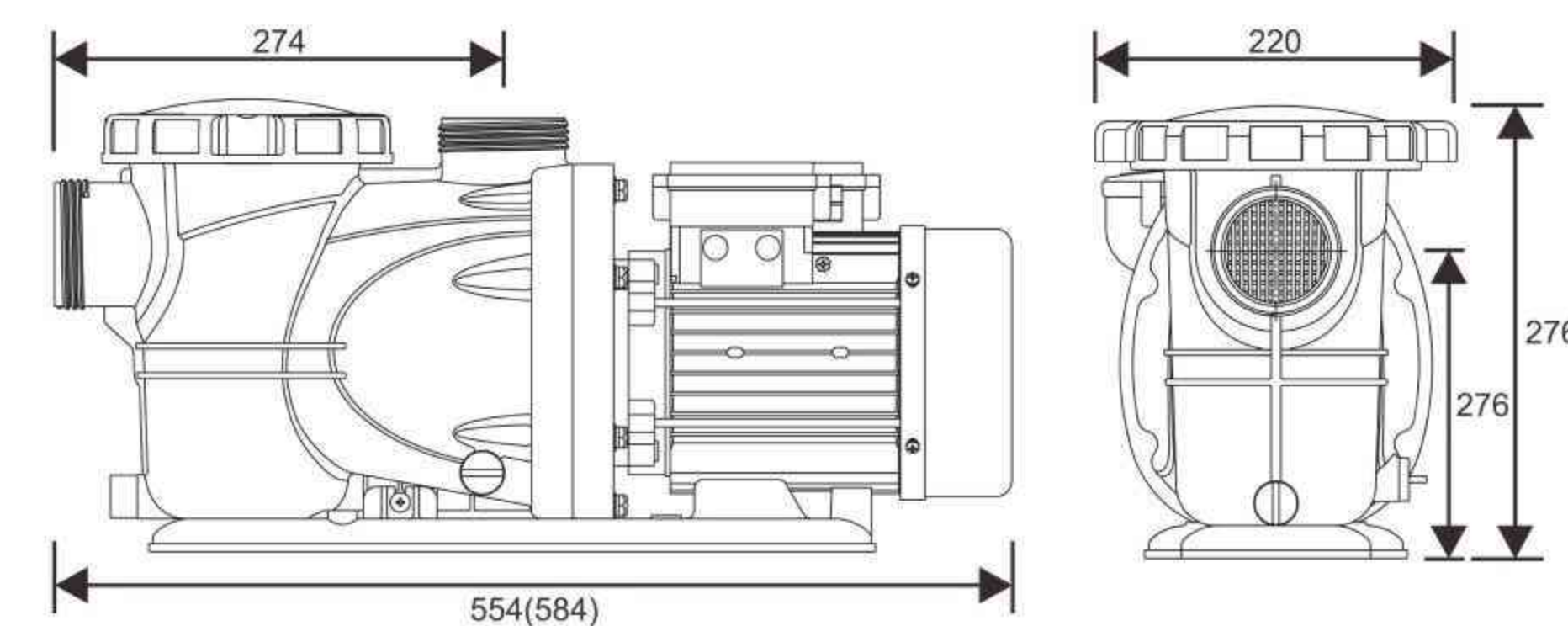
Application Scenarios

This pump is suitable for water circulation and filtration in various applications including swimming pools, water features, hot springs, saunas, bathing pools, aquaculture, etc.

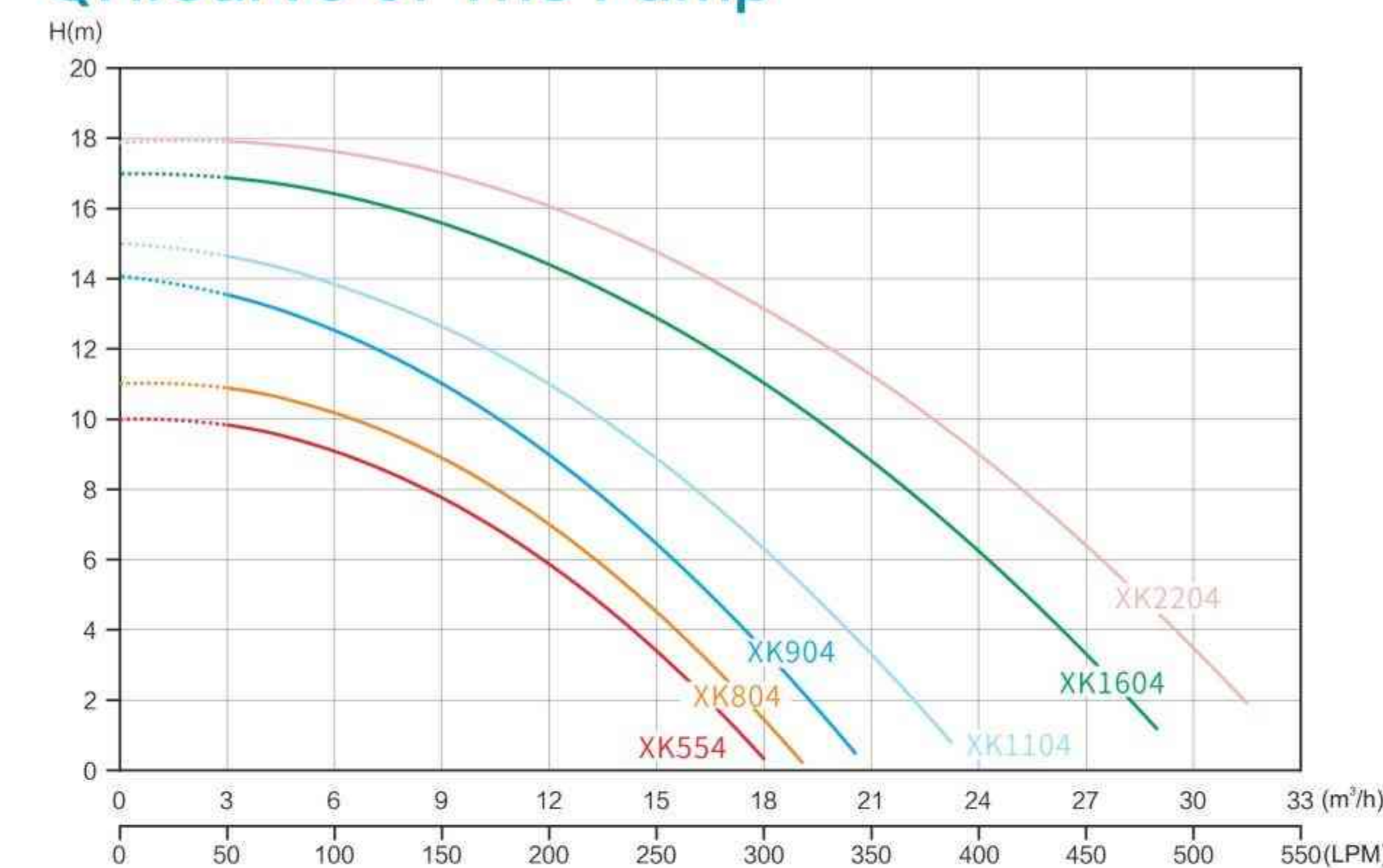


CE

WL-XK554~WL-XK2204



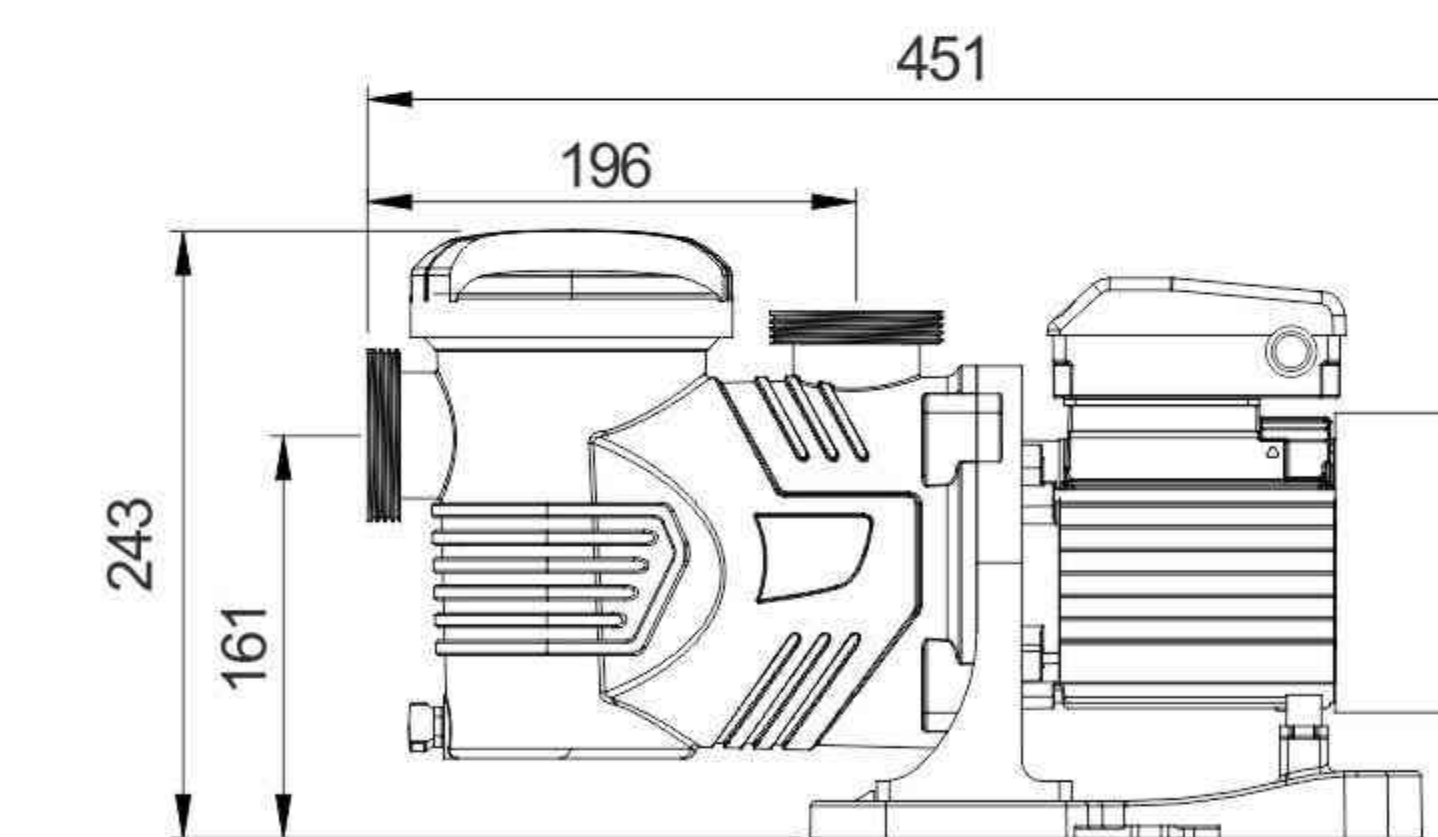
QH.Curve of The Pump



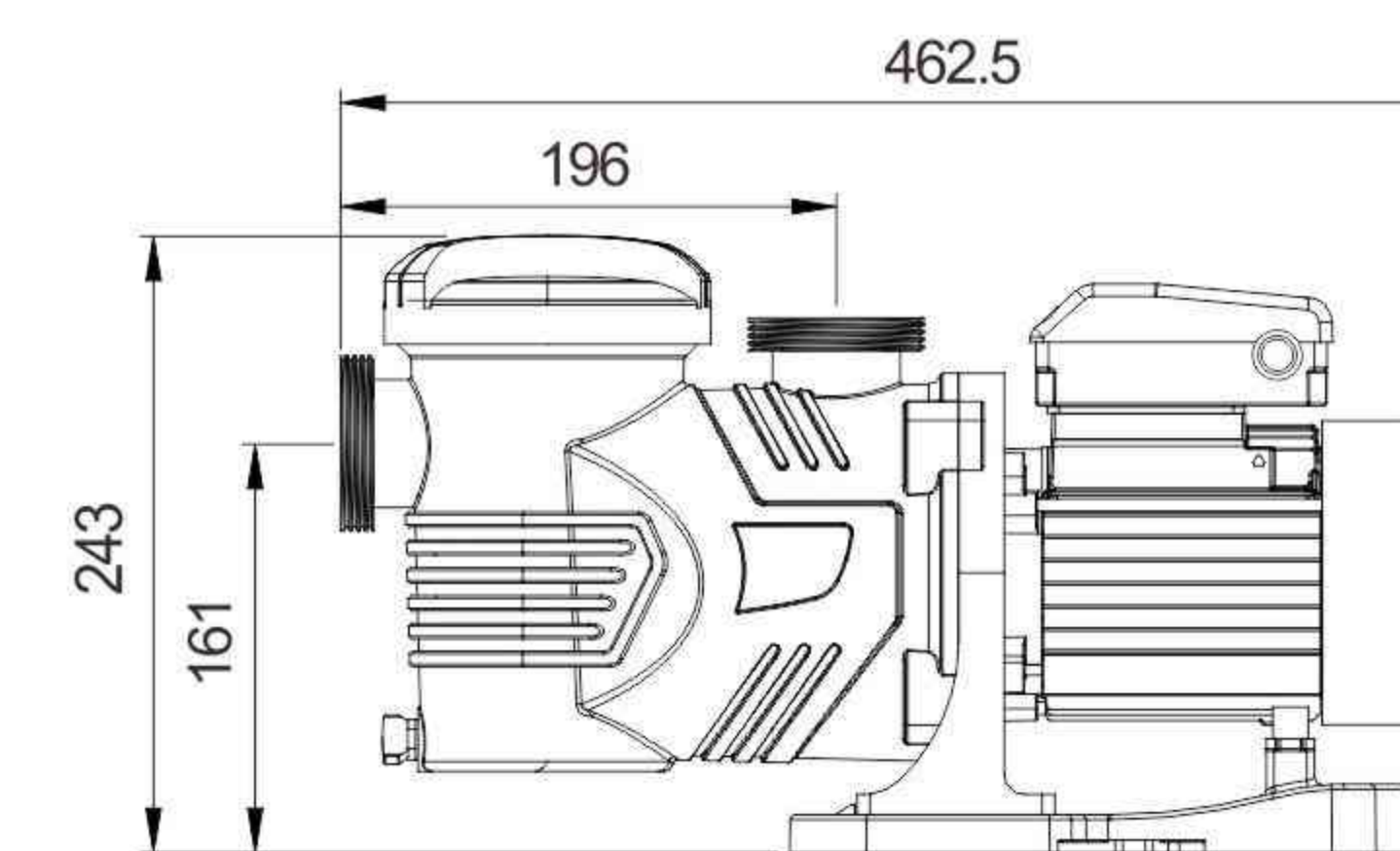
Model	Q-max (m³/h)	H-max (m)	HorsePower (HP)	RatedPower (kW)	Phase	Voltage (V)	Connection Size
WL-XK554	17	10	0.8	0.60	1	220-240	1.5" 50mm
WL-XK804	19	11	1.1	0.80	1	220-240	1.5" 50mm
WL-XK904	20	14	1.2	0.90	1	220-240	1.5" 50mm
WL-XK1104	22	15	1.5	1.10	1	220-240	1.5" 50mm
WL-XK1604	27	17	2.2	1.60	1	220-240	1.5" 50mm
WL-XK2204	31	18	3	2.20	1	220-240	1.5" 50mm



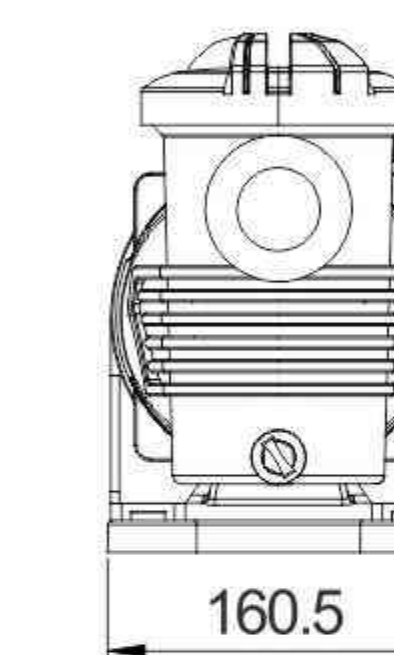
CE



WL-ESP033/050/075



WL-ESP100/120



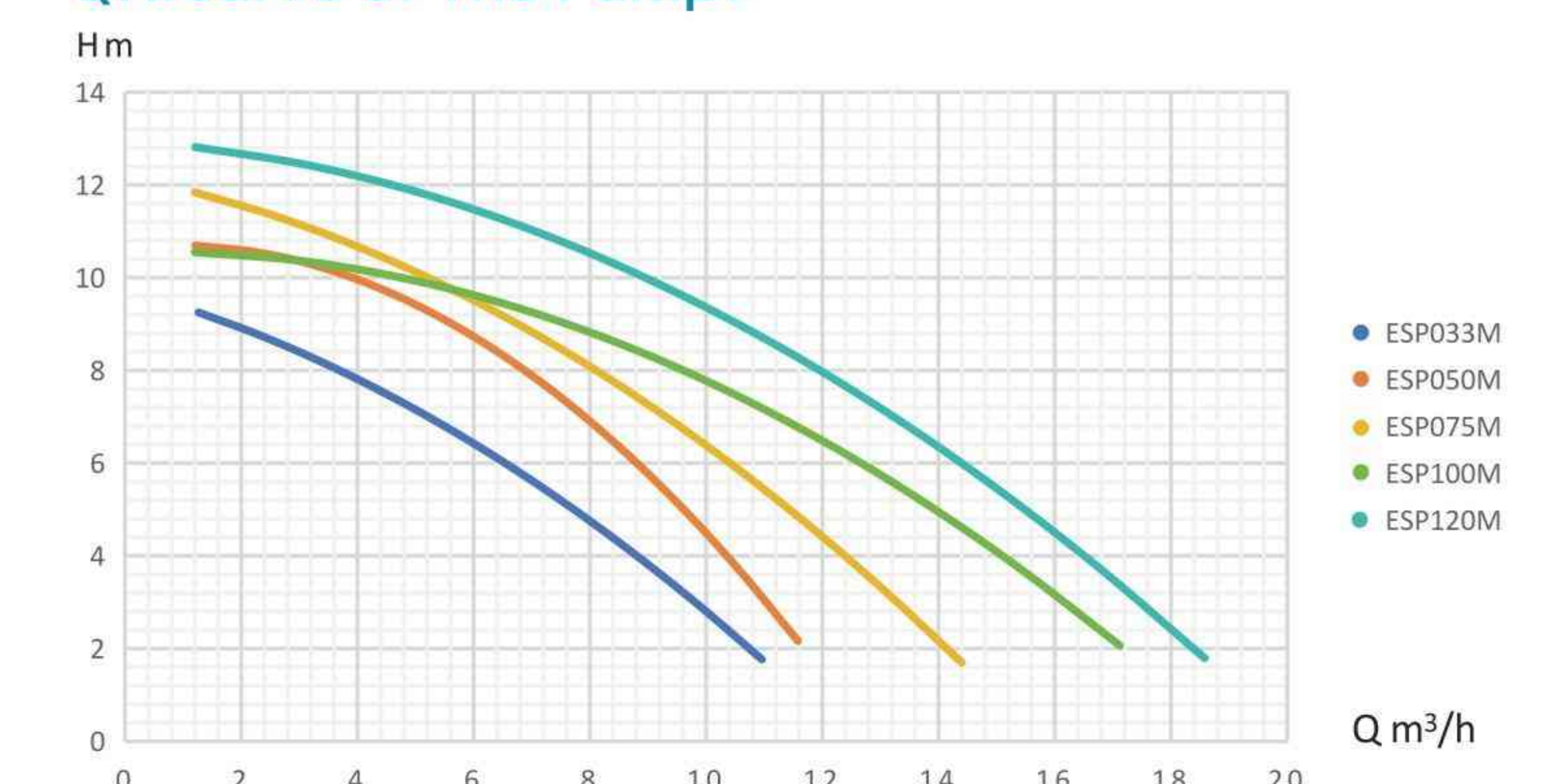
ESP SERIES PUMP

LASWIM ESP series pump is a circulation pump for pools with high reliability and performance, which makes the pump more recognized in the market. Mechanical seal adopts ceramic carbon material, which is resistant to high temperature and dry grinding. With 25,000 strict life-span tests and powerful impact tests, this pump is highly recommended for its great performance and reliable quality.

Features:

- The inlet or outlet of the pump with an external thread, which can connect with metric or imperial pipes.
- Low noise: It can lower than 67 dB.
- Thermal protection included
- Liquid Temperature: 5~ 50 °C (41 ~ 122 °F).
- Ambient Temperature: up to 40°C (104°F).
- IPX5 Waterproof standard.
- The pump can bear 25000 times of impact test, excellent performance and reliable quality.
- Single phase:220V/50Hz
220V/60Hz is available on request

QH.Curve of The Pump:



Model	Q-max (m³/h)	H-max (m)	Horsepower (HP)	Rated Power (kW)	Phase	Voltage (V)	Connection size
WL-ESP033M	11	9	0.33	0.26	1	220	1.5" 50mm
WL-ESP050M	11.5	10.5	0.5	0.37	1	220	1.5" 50mm
WL-ESP075M	14.5	12	0.75	0.55	1	220	1.5" 50mm
WL-ESP100M	17	10.5	1.0	0.75	1	220	1.5" 50mm
WL-ESP120M	19	13	1.2	0.9	1	220	1.5" 50mm

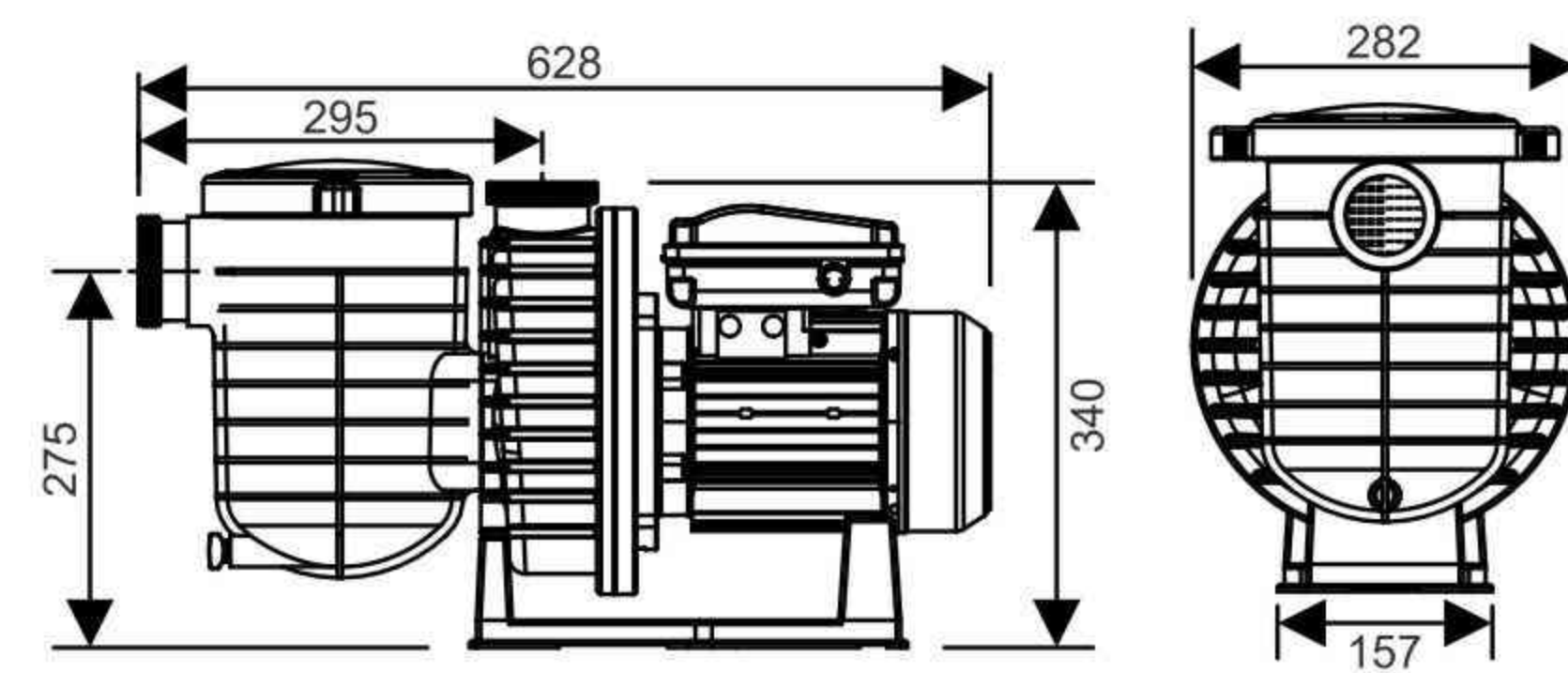
BHP SERIES PUMP

The BHP pump is a high-performance, professional-grade pump engineered for reliability. Upgraded hydraulics and vortex pump technology deliver superior high-flow and high-head performance. A high-efficiency self-priming system ensures stable operation and easy maintenance. Compatible with saltwater systems and built with Class F insulation and IPX5 protection for long-term durability.



Highlight Features:

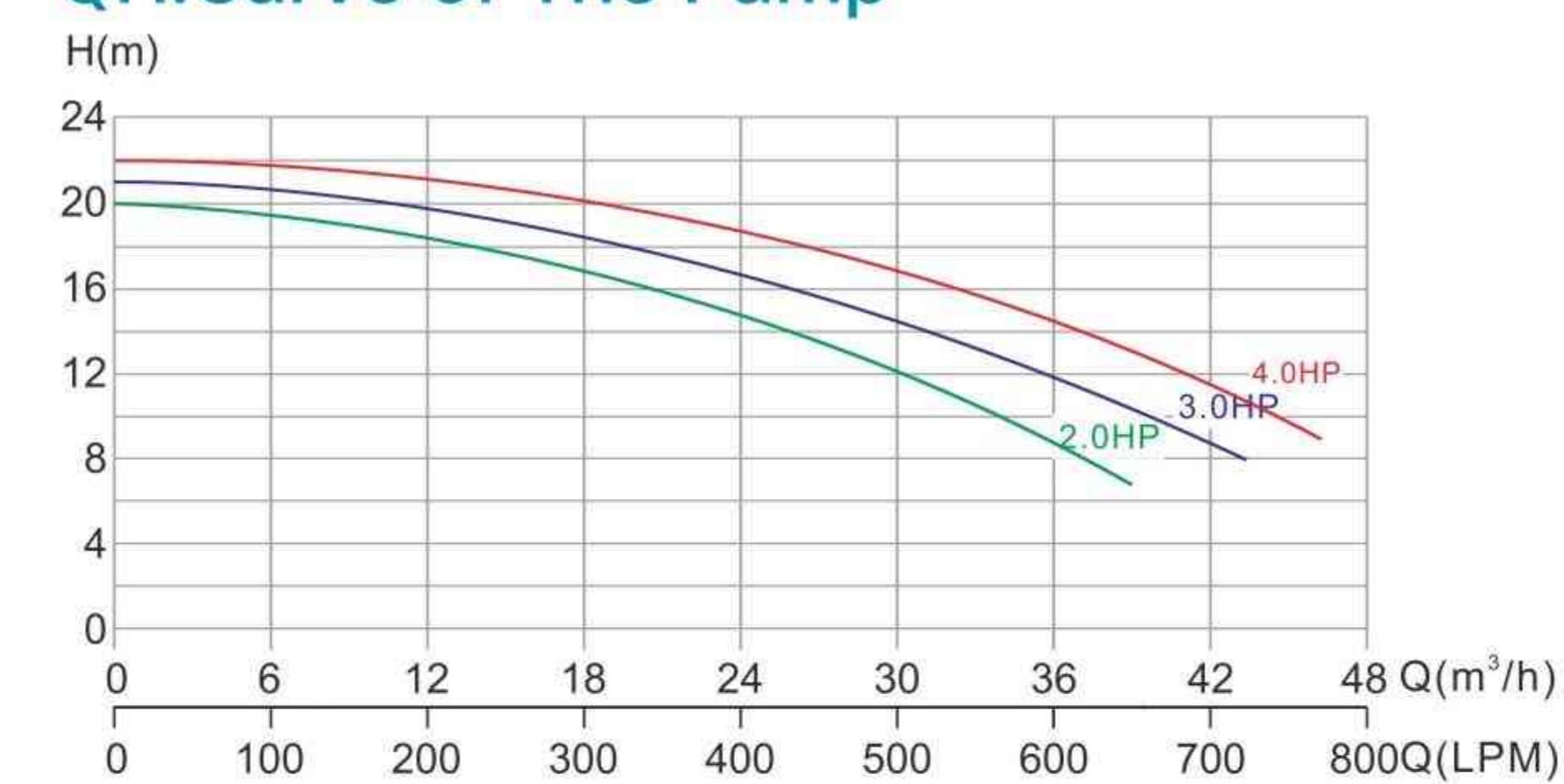
- Equipped with a large diffuser and a high-efficiency impeller to maximize water flow and energy efficiency while minimizing turbulence and noise.
- A 3L large-capacity hair strainer minimizes maintenance frequency for easier and more efficient daily care.
- Self-priming up to 3M above the water level.
- Liquid Temperature: 5~50°C (41~122°F)
- Ambient Temperature: 5~50°C (41~122°F)
- IPX5 waterproof standard.
- Insulation class: F.
- Asynchronous, two poles.
- Maximum working pressure: 3.5bar.



Material:

- Shaft: #45 Carbon Steel+SS316 Stainless Steel
- Winding Coil: Copper Wire
- Pump housing: PP+35%GF
- Impeller: PPO+35%GF+Copper core
- Filter Basket: PP
- Bearing: NSK
- Diffuser: PPO+35%
- Pump base: PP+35%GF
- Mechanical Seal: Stationary face-SiC, rotating face-Graphite, seal bellows-NBR, Spring-316L

QH.Curve of The Pump



Model	Q-max (m³/h)	H-max (m)	Horsepower (HP)	Rated Power (kW)	Phase	Voltage (V)	Connection size
WL-BHP200MS	38	20	2.0	1.9	1	220	2" 63mm
WL-BHP300MS	42	22.5	3.0	2.2	1	220	2" 63mm
WL-BHP200TS	38	20	2.0	1.9	3	380	2" 63mm
WL-BHP300TS	42	22.5	3.0	2.2	3	380	2" 63mm
WL-BHP400TS	45	23.5	4.0	2.8	3	380	2" 63mm

KP SERIES PUMP

WL-KP series are used for water circulation in all kinds of small domestic swimming pools. Slightly dirty water with solids in suspension can be perfectly filtered.

Features:

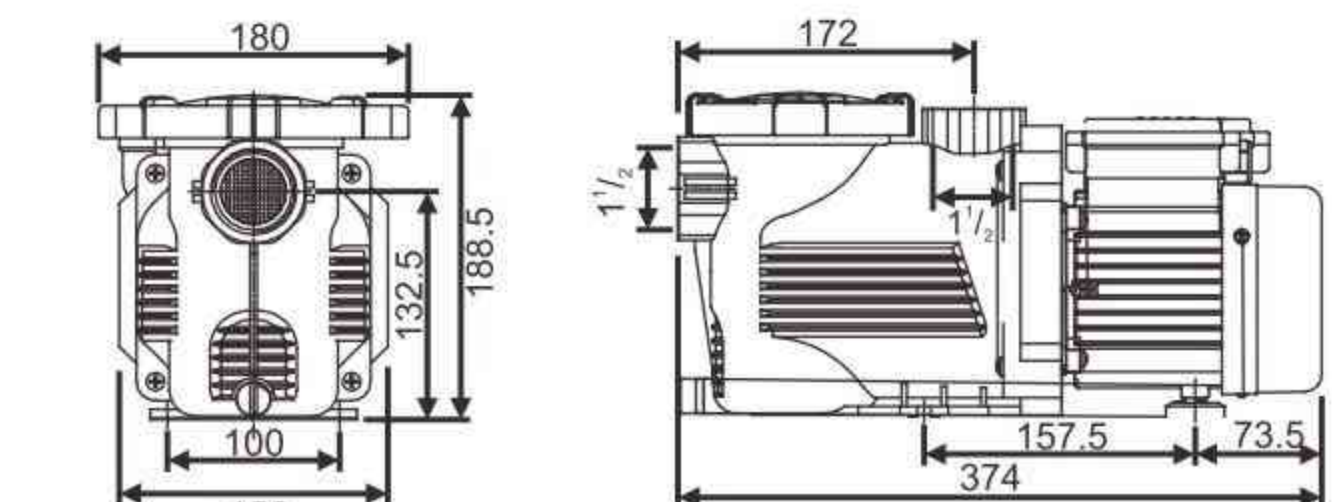
- Liquid Temperature: 5~ 50 °C (41 ~ 122 °F).
- Ambient Temperature: up to 40 °C (104 °F).
- Maximum working pressure: 3.0 bar.
- IPX5 waterproof standard.
- Insulation Class: F.
- Thermal protection included.
- Single phase: 220V/50Hz.
- 220V/60Hz, 110V/60Hz; 380V/50Hz(P≥450W) are available on request.
- **Max.Suction:3M(P≥600W)**



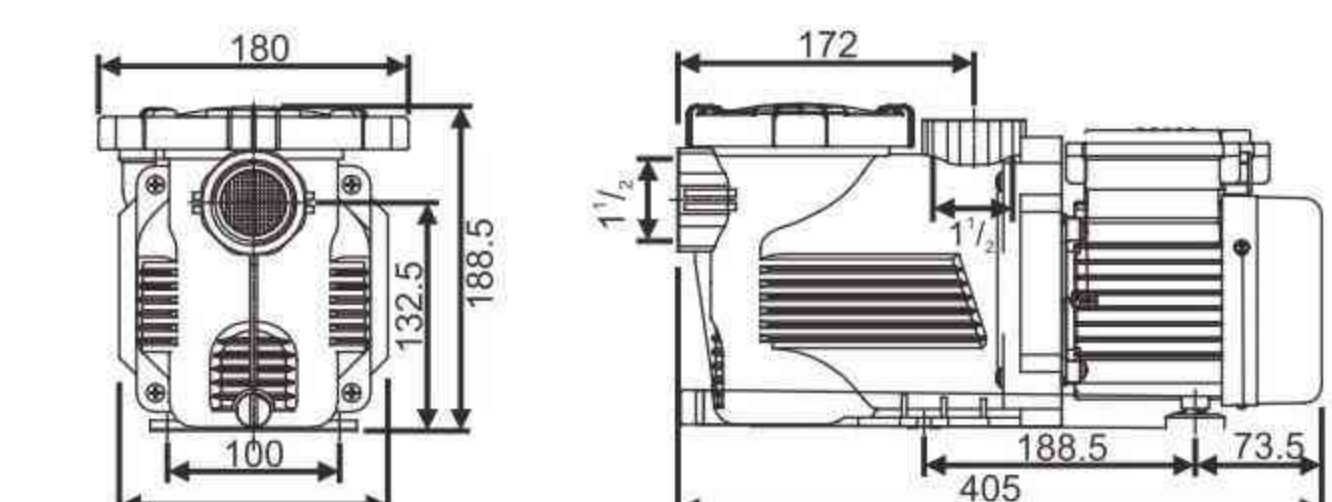
WL-KP256~WL-KP856



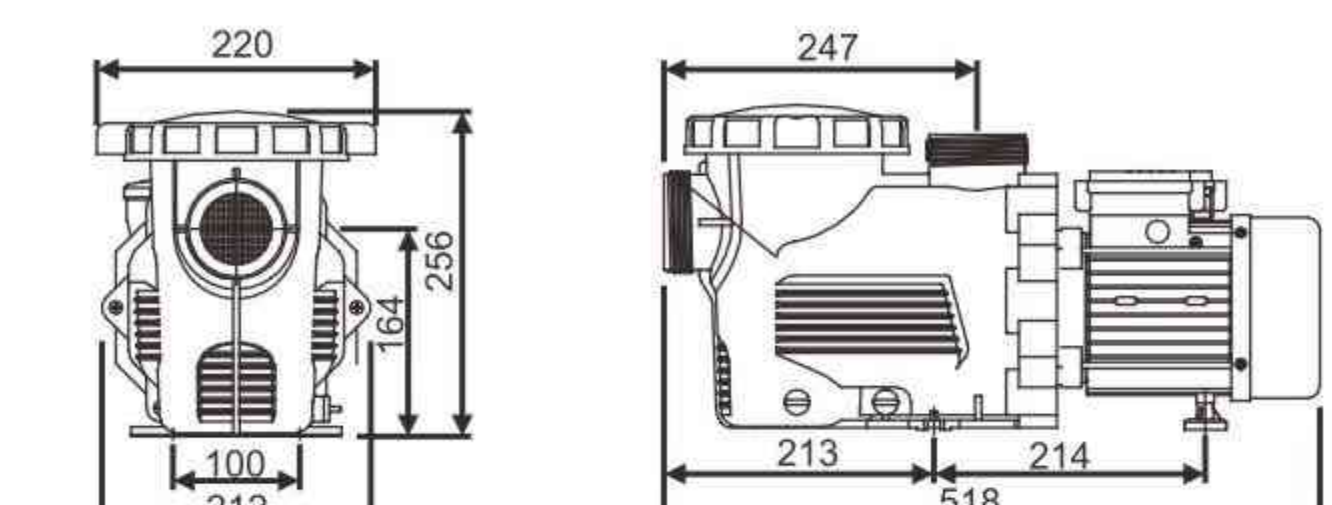
WL-KP1106~WL-KP2206



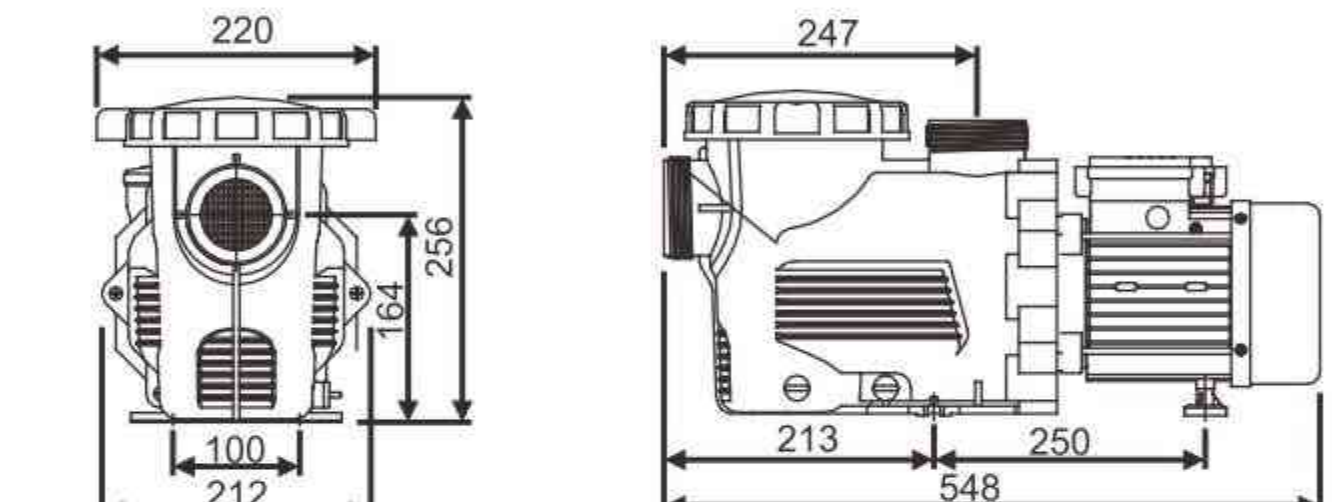
WL-KP256~WL-KP456



WL-KP556~WL-KP856

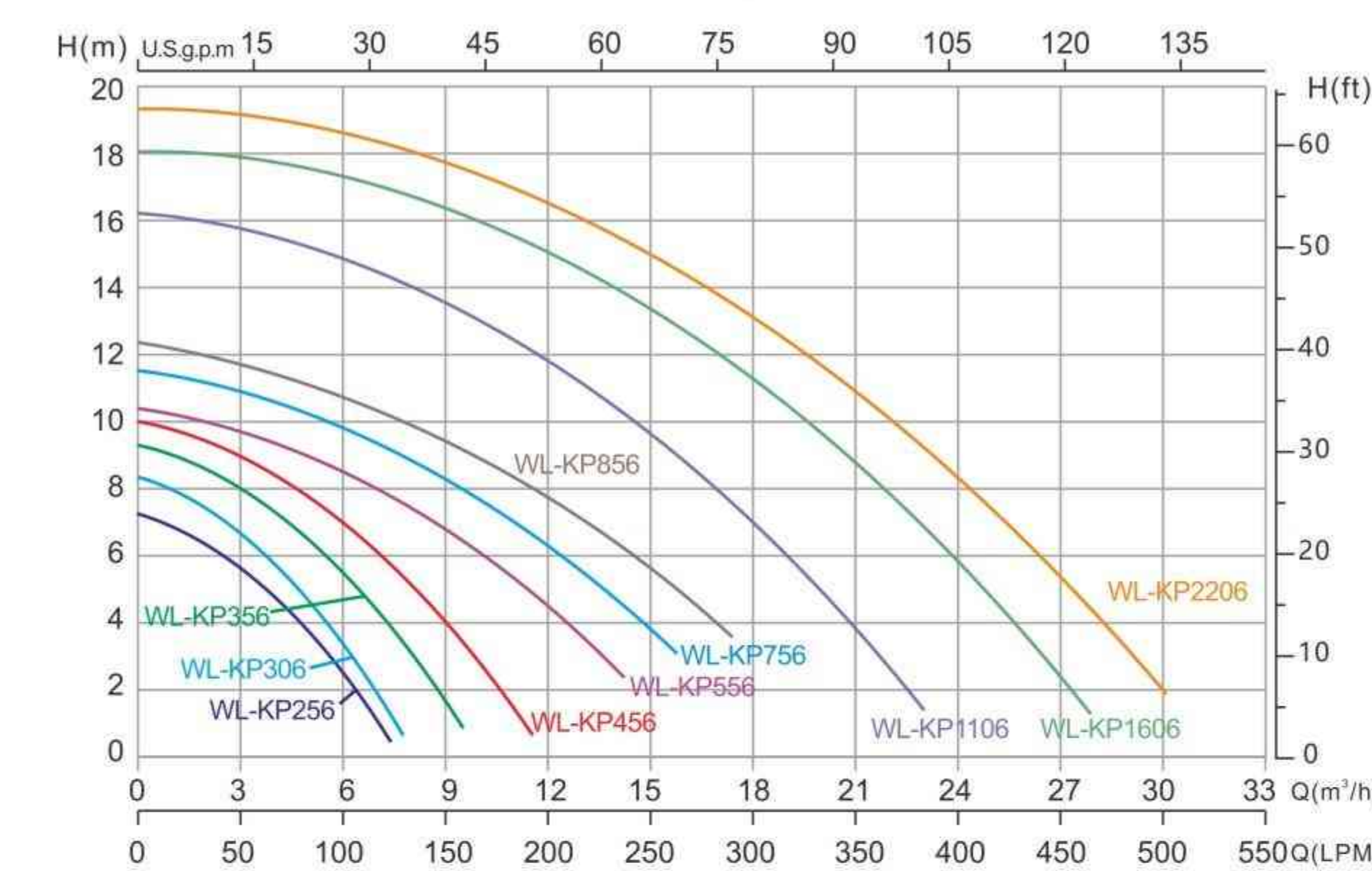


WL-KP1106



WL-KP1606~WL-KP2206

QH.Curve of The Pump



Model	Q-max (m³/h)	H-max (m)	Horsepower (HP)	Rated Power (kW)	Phase	Voltage (V)	Connection Size
WL-KP256	7.5	7	0.33	0.25	1	220	1.5" 50mm
WL-KP306	7.5	8.5	0.4	0.3	1	220	1.5" 50mm
WL-KP356	9.6	9.5	0.5	0.35	1	220	1.5" 50mm
WL-KP456	11.1	10	0.6	0.45	1	220	1.5" 50mm
WL-KP556	14.1	12	0.75	0.55	1	220	1.5" 50mm
WL-KP756	15.6	12.5	1.0	0.75	1	220	1.5" 50mm
WL-KP856	16.5	12.5	1.2	0.85	1	220	1.5" 50mm
WL-KP1106	22.5	16	1.5	1.10	1	220	1.5" 50mm or 2" 63mm
WL-KP1606	27.9	18	2.0	1.60	1	220	1.5" 50mm or 2" 63mm
WL-KP2206	30.9	19.5	3.0	2.20	1	220	1.5" 50mm or 2" 63mm

STP SERIES PUMP

Features:

- Motor and water are completely separated.
- Total electrical separation.
- Pump housing, pump cover & impeller are made of high reinforced plastic.
- Quick record could be used with the inlet & outlet.

Operation conditions:

- Liquid Temperature: 5 ~ 50 °C (41 ~ 122 °F).
- Ambient Temperature: up to 50°C (122°F).
- Maximum working pressure: 3.0 bar.

Applications:

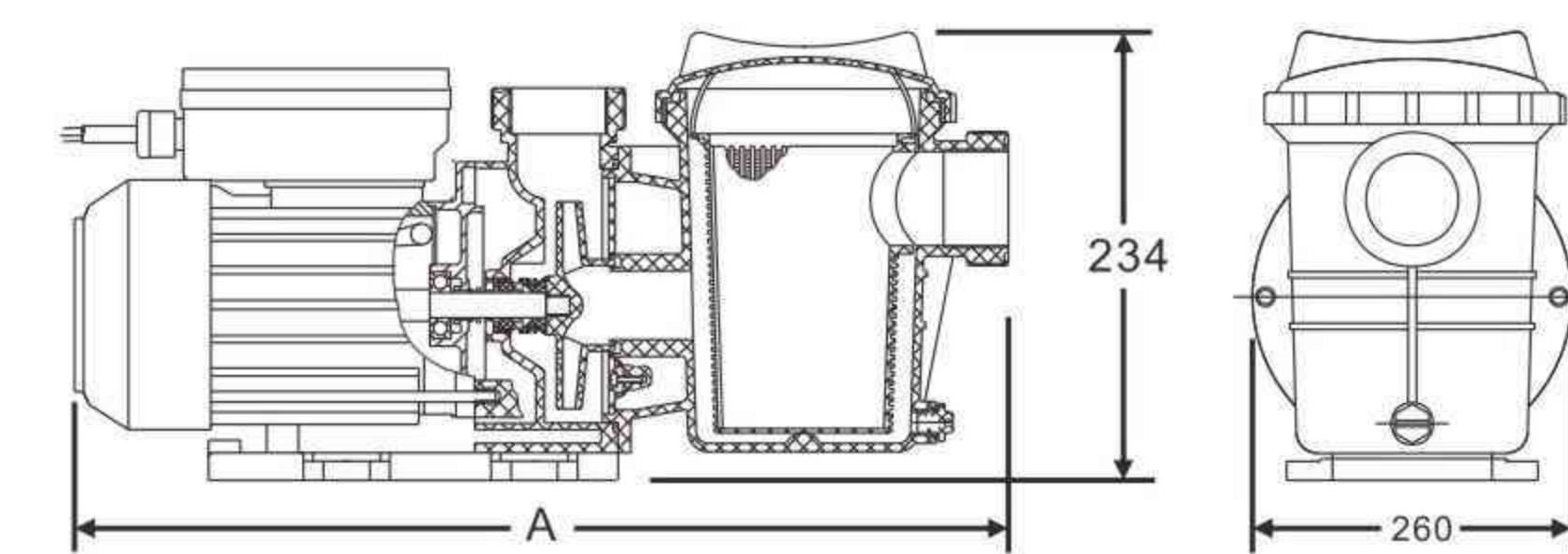
Jet pump for jetted bath tubs, spa pools, swimming pools, massage stations and cleaning system.



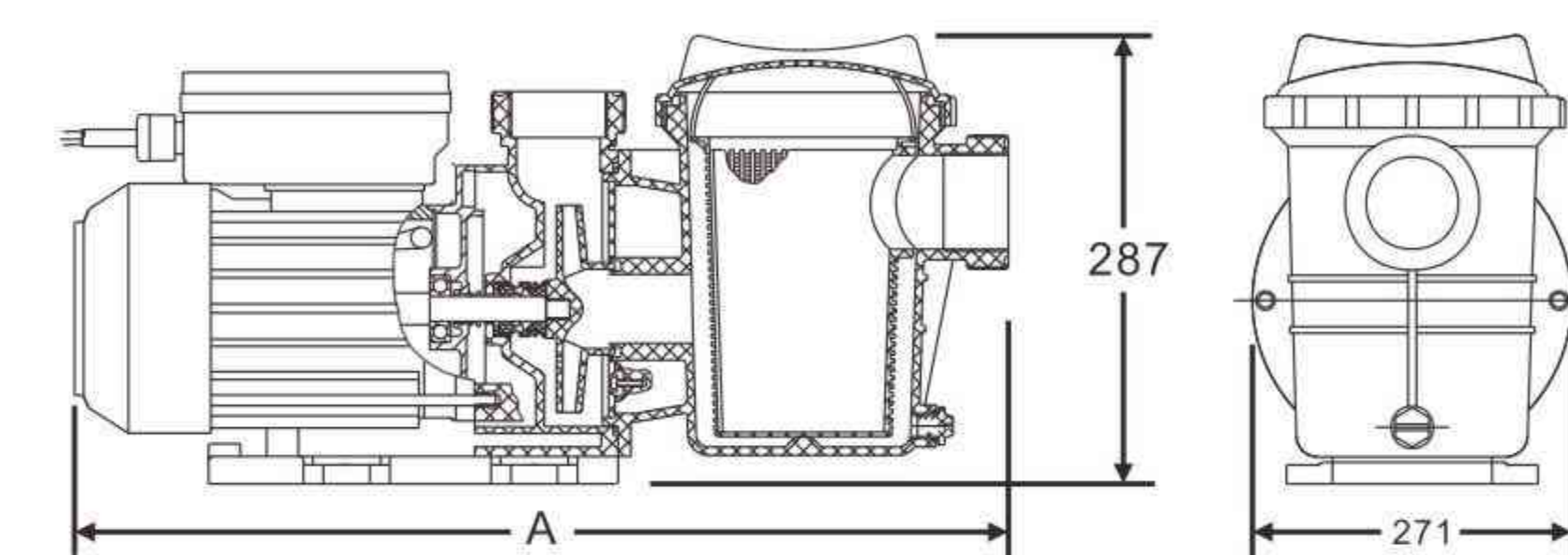
0.35HP-1.2HP



1.5HP-3.0HP

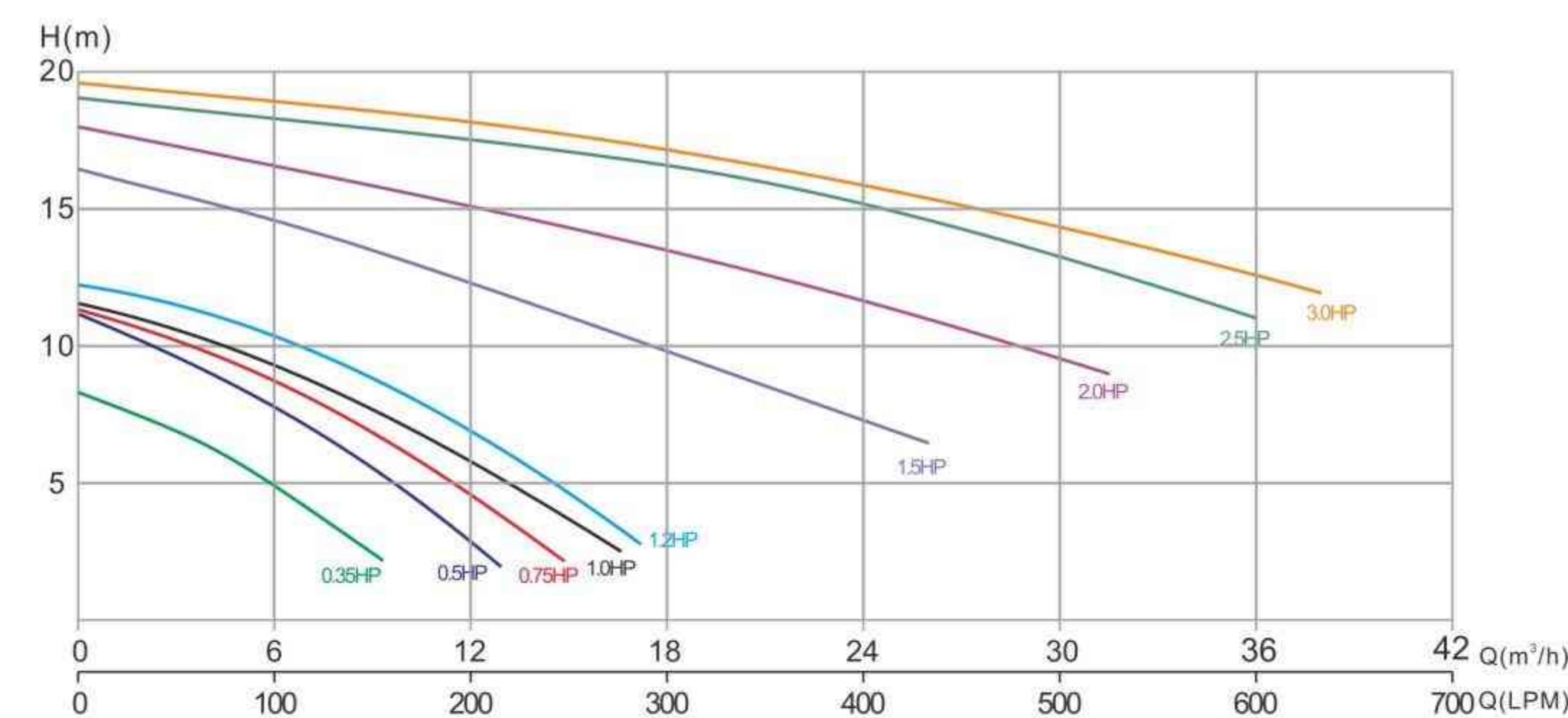


WL-STP35~WL-STP120



WL-STP150~WL-STP300

QH.Curve of The Pump



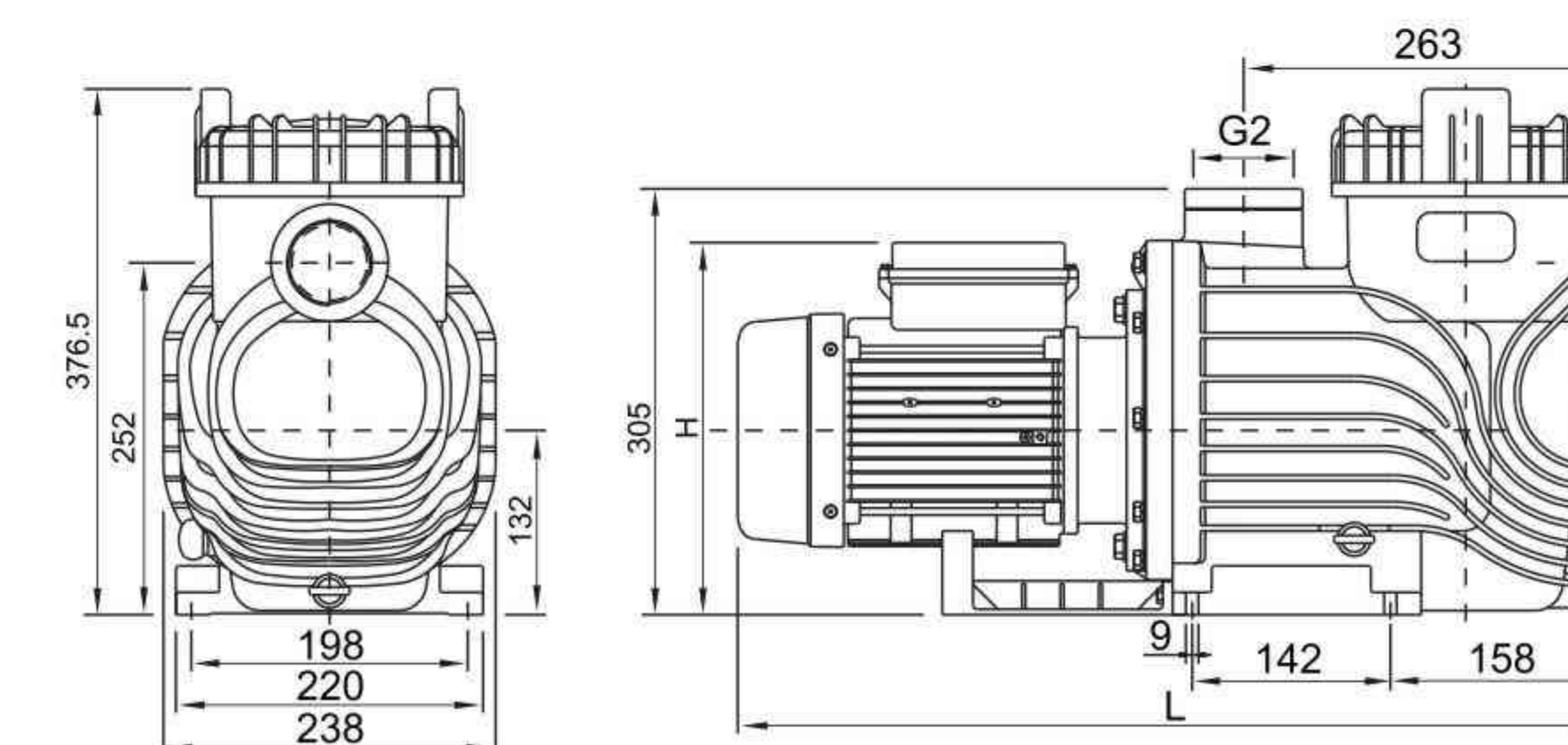
Model	Q-max (m³/h)	H-max (m)	Horsepower (HP)	Rated Power (kW)	Phase	Voltage (V)	Connection size	A Length (mm)
WL-STP50	12.6	11	0.5	0.37	1	220	1.5" or 50mm	443
WL-STP75	14.4	10.5	0.75	0.56	1	220	1.5" or 50mm	465
WL-STP100	16.5	11	1.0	0.75	1	220	1.5" or 50mm	465
WL-STP120	18	13	1.2	0.9	1	220	1.5" or 50mm	465
WL-STP150	25.8	16.5	1.5	1.1	1	220	2" or 63mm	573
WL-STP200	31.2	18	2.0	1.5	1	220	2" or 63mm	573
WL-STP250	36	19	2.5	1.87	1	220	2" or 63mm	573
WL-STP300	38.1	19.5	3.0	2.25	1	220	2" or 63mm	598
WL-STP300	38.1	19.5	3.0	2.25	3	380	2" or 63mm	598



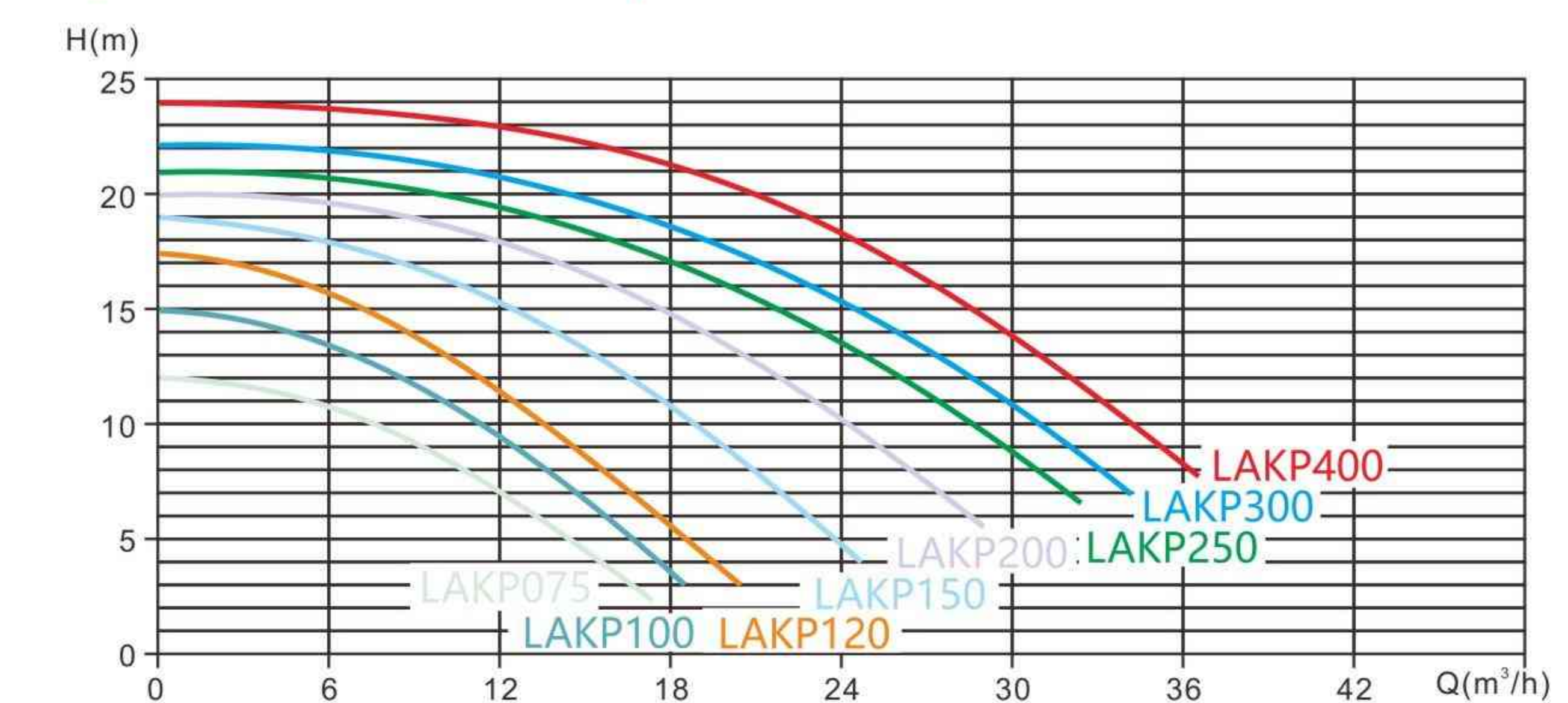
Featuring a sleek, unique design, the LAKP series high-performance pump combines reinforced engineering plastic housing with Stainless Steel reinforced ports for extra strength. Equipped with a 3.2L large basket for easy maintenance and self-priming capability (max. 2.5m suction). With AC-structure bearings to minimize noise, it delivers long-lasting, whisper-quiet operation and perfect for spas, commercial pools, and water parks.

Features:

- Self-priming up to 2.5m
- Protection standard: IP55
- Insulation class: F
- Liquid temperature: 0-75°C (0~167°F)
- Ambient temperature: ≤50°C (122°F)
- Max. Working pressure: 10.0bar



QH.Curve of The Pump



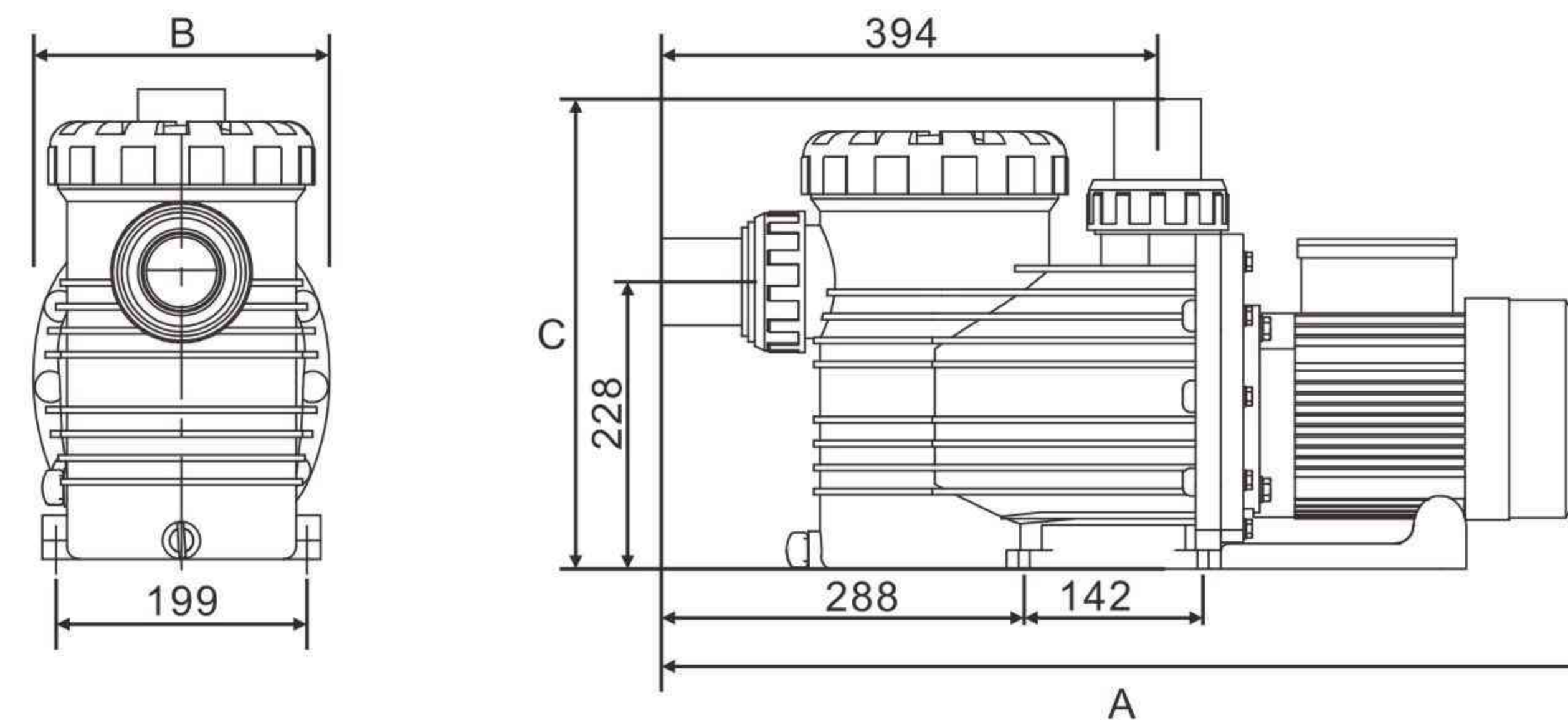
Model	Q-Max (m³/h)	H-Max (m)	Rated power supply	Input power		Current (A)	Length (mm)	Height (mm)	Connection size	Weight (kg)	Packing size (mm)
				kW	HP						
WL-LAKP075M/T	17.4	12	M: 220V/50Hz T: 380V/50Hz	0.55	0.75	3.2	575	238	1.5" or 50mm	16	615 X 270 X 440
WL-LAKP100M/T	18.6	15		0.75	1.0	3.8	575	238	1.5" or 50mm	16.5	615 X 270 X 440
WL-LAKP120M/T	20.4	17.5		0.9	1.2	4.6	575	238	1.5" or 50mm	17	615 X 270 X 440
WL-LAKP150M/T	24.6	19		1.1	1.5	5.2	594.5	243	2" or 63mm	19	635 X 270 X 440
WL-LAKP200M/T	28.8	20		1.5	2.0	7.0	594.5	246	2" or 63mm	20.3	635 X 270 X 440
WL-LAKP250M/T	32.4	21		1.85	2.5	8.6	594.5	258	2" or 63mm	22.4	635 X 270 X 440
WL-LAKP300M/T	34.2	22		2.2	3.0	10	594.5	258	2" or 63mm	22.4	635 X 270 X 440
WL-LAKP400M/T	36.6	24		3.0	4.0	14	626	267	2" or 63mm	26.2	665 X 270 X 440

KBP SERIES SEAWATER PUMP

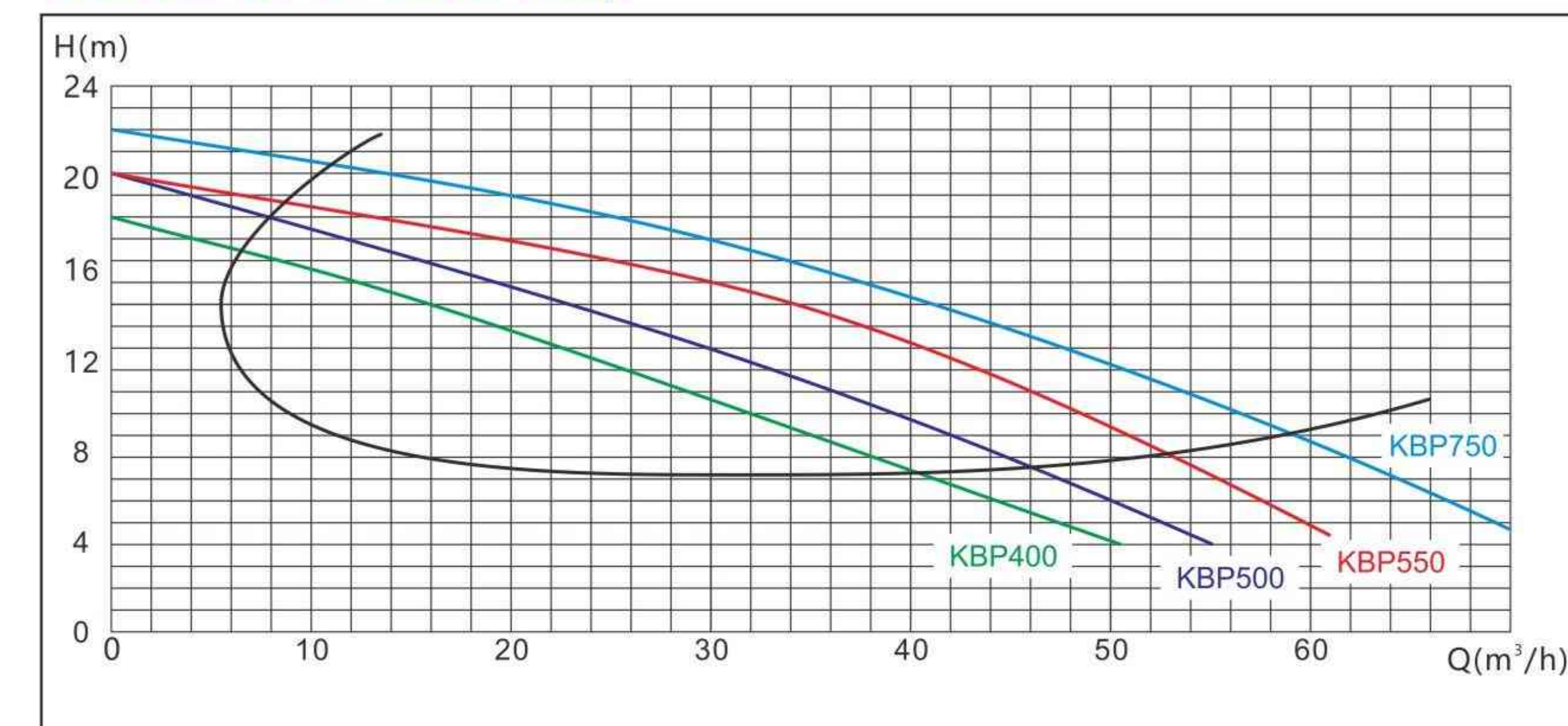
KBP seawater pump is a series of sturdy and durable pump with high head and sufficient flow. The body has strong sealing, corrosion resistance and pressure resistance. Suitable for all kinds of aquaculture ponds and seawater ponds.

Features:

- Protection: IP55.
- Large flow rate.
- Low noise level.
- Max. working pressure: 6.0bar
- Shaft: Stainless steel 316.
- Mechanical seal: Graphite / Ceramic seal.



QH.Curve of The Pump



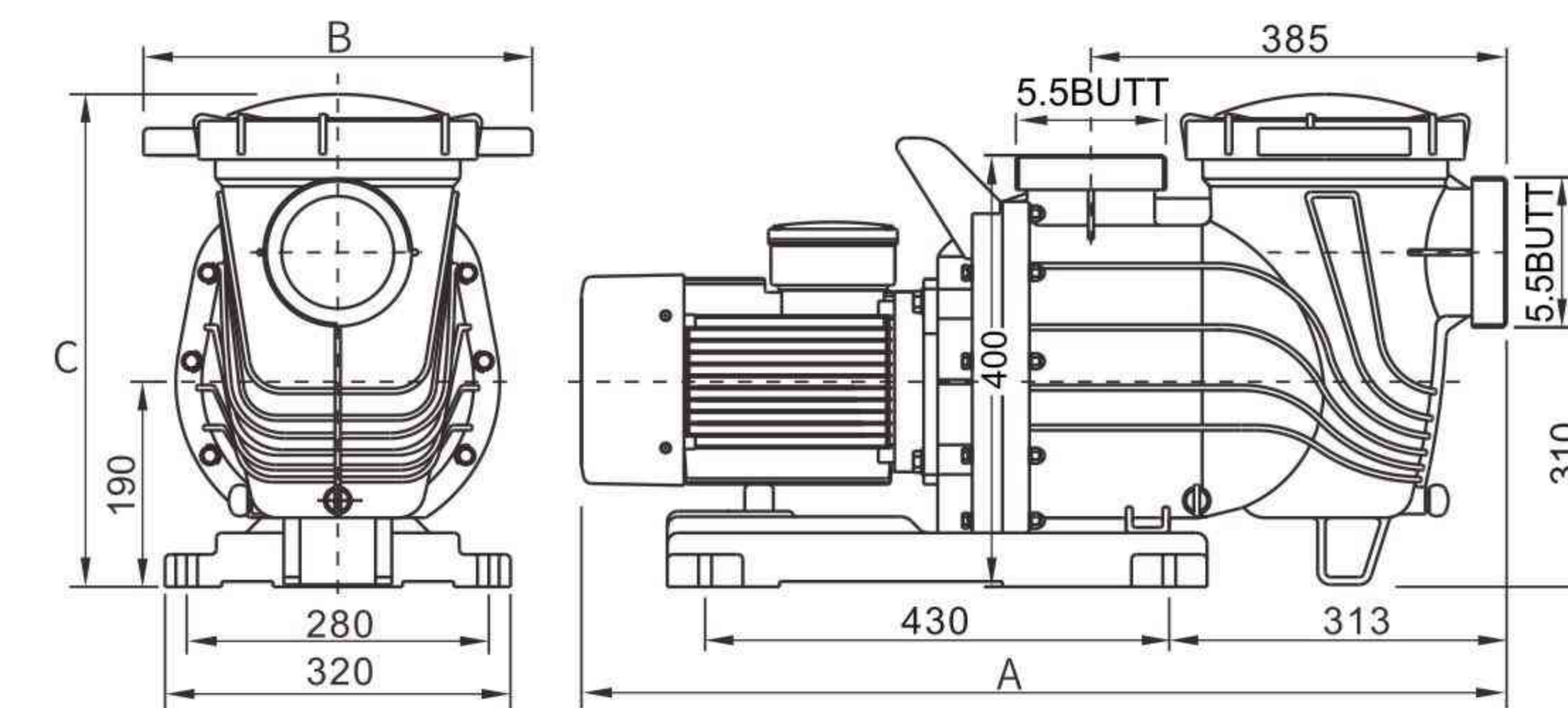
Model	Q-Max (m³/h)	H-Max (m)	Rated power supply (V/Hz)	Input power		A Length (mm)	B Width (mm)	C Height (mm)	Connection size	Weight (kg)	Packing size (mm)
				kW	HP						
WL-KBP400	50	18	380/50	3	4	750	221	373	2"/63mm	30	775×315×450
WL-KBP500	55	20	380/50	3.7	5	750	221	373	2"/63mm	30	
WL-KBP550	60	20	380/50	4	5.5	770	221	373	2.5"/75mm 3"/90mm	33	830×315×440
WL-KBP750	70	22	380/50	5.5	7.5	780	221	373	2.5"/75mm 3"/90mm	37	

SLP SERIES PUMP

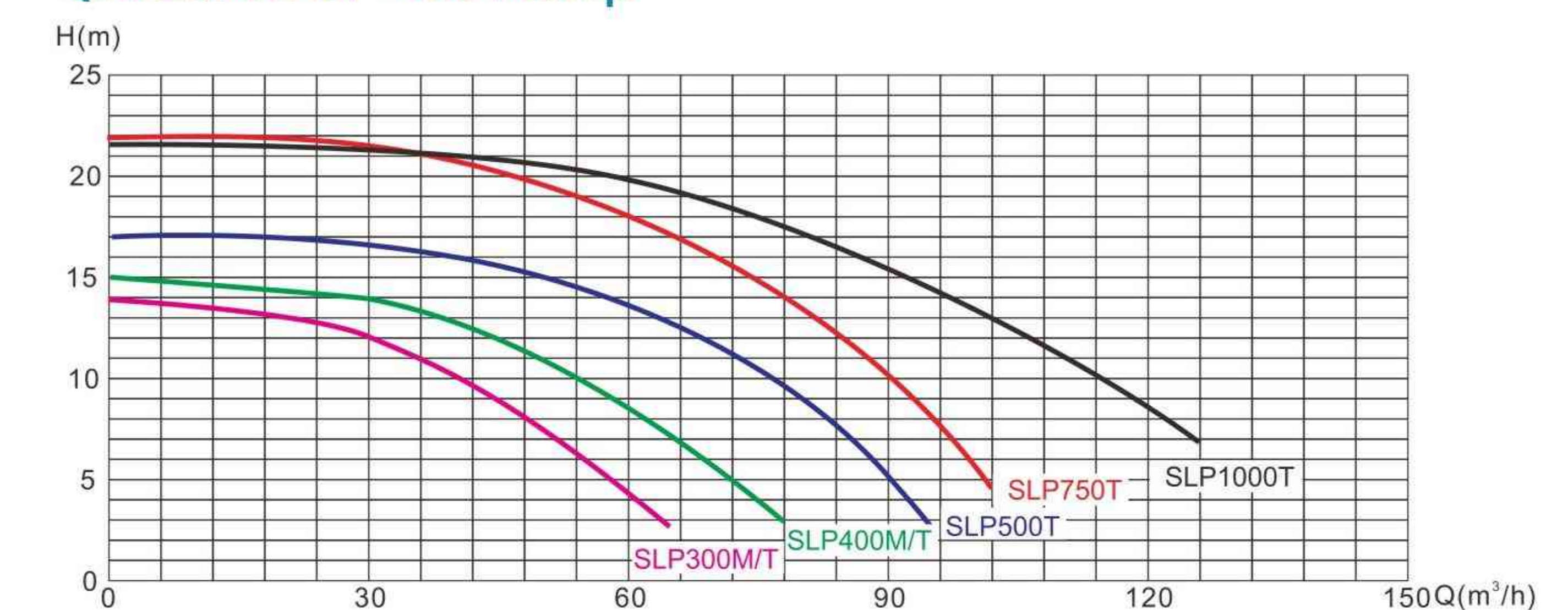
Designed for large water parks, aquariums, and hot spring filtration, SLP series heavy-duty pump features an integrated plastic baseplate for easy installation. The high efficiency motor ensures energy savings and long service life. Corrosion-resistant and low-maintenance, it delivers reliable performance in commercial water circulation systems.

Features:

- Protection standard: IP55
- Insulation class: F
- Liquid temperature: 0-75°C (0-167°F)
- Ambient temperature: < 50°C (122°F)
- Max. Working pressure: 7.0bar



QH.Curve of The Pump



Model	Q-Max (m³/h)	H-Max (m)	Current (A)		Input power		A Length (mm)	B Width (mm)	C Height (mm)	Connection size (inch/mm)		Weight (kg)	Packing size (mm)
			220V/50Hz	380V/50Hz	kW	HP				3"	4"		
WL-SLP300M/T	64.8	14	10	4.1	2.2	3	800	360	456	88.9	110	45.5	840×395×600
WL-SLP400M/T	78	15	14	5.2	3.0	4	800	360	456			47	
WL-SLP500T	94.8	17	---	8.2	4.0	5	857	360	456	90	114.3	54.5	930×395×600
WL-SLP750T	102	22	---	9.6	5.5	7.5	857	360	456			60.3	
WL-SLP1000T	126	21.5	---	11.1	7.5	10	887	360	456			64.5	

LCAP SERIES PUMP

Engineered for aquaculture and commercial pools, LCAP series corrosion-resistant stainless steel pump delivers powerful, low-noise operation. The single-phase motor features a built-in USA/Germany (I) thermal protector to prevent overheating and motor failure. Designed for heavy-duty use, it ensures reliable, energy-efficient water circulation in harsh conditions.

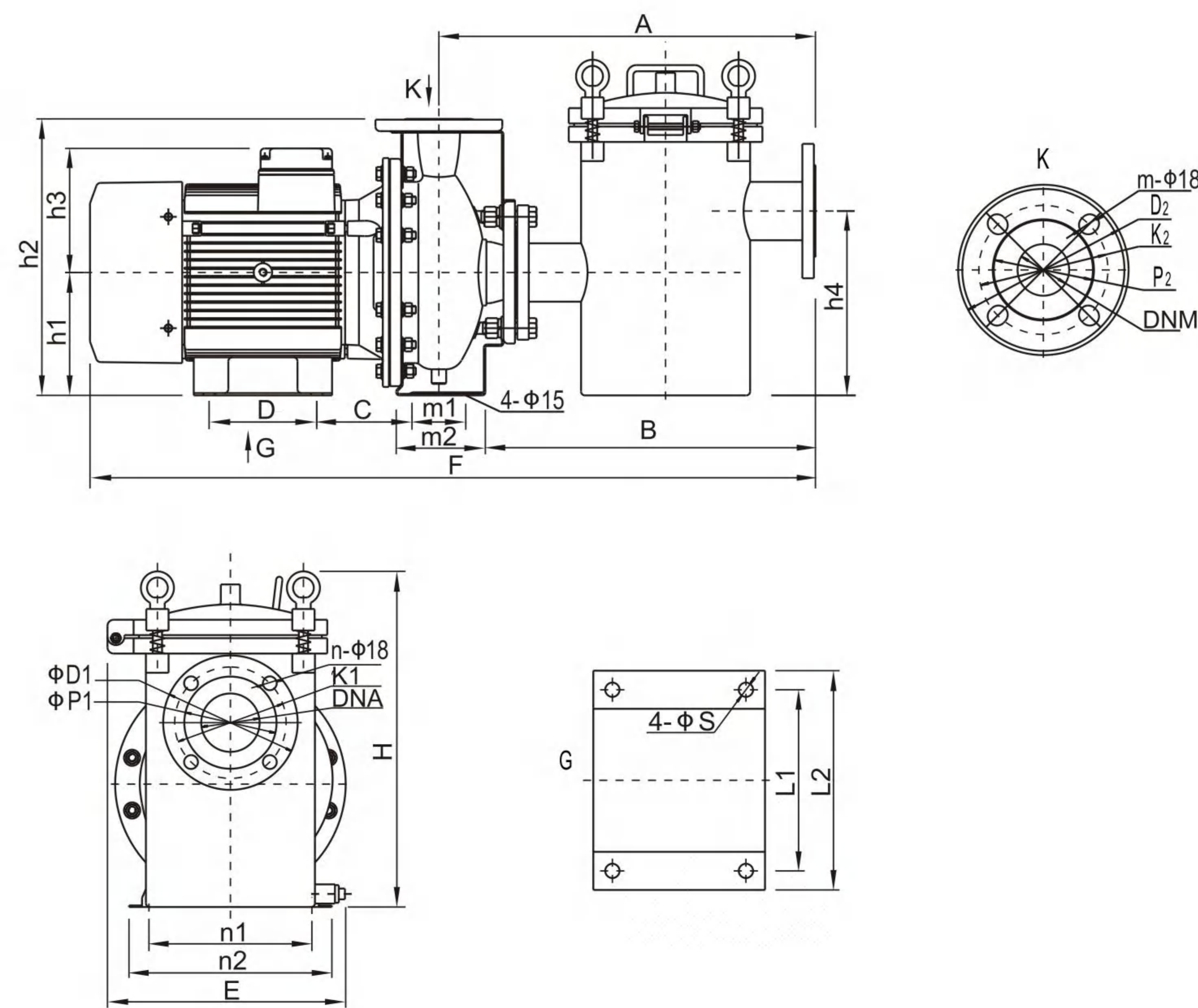


Features:

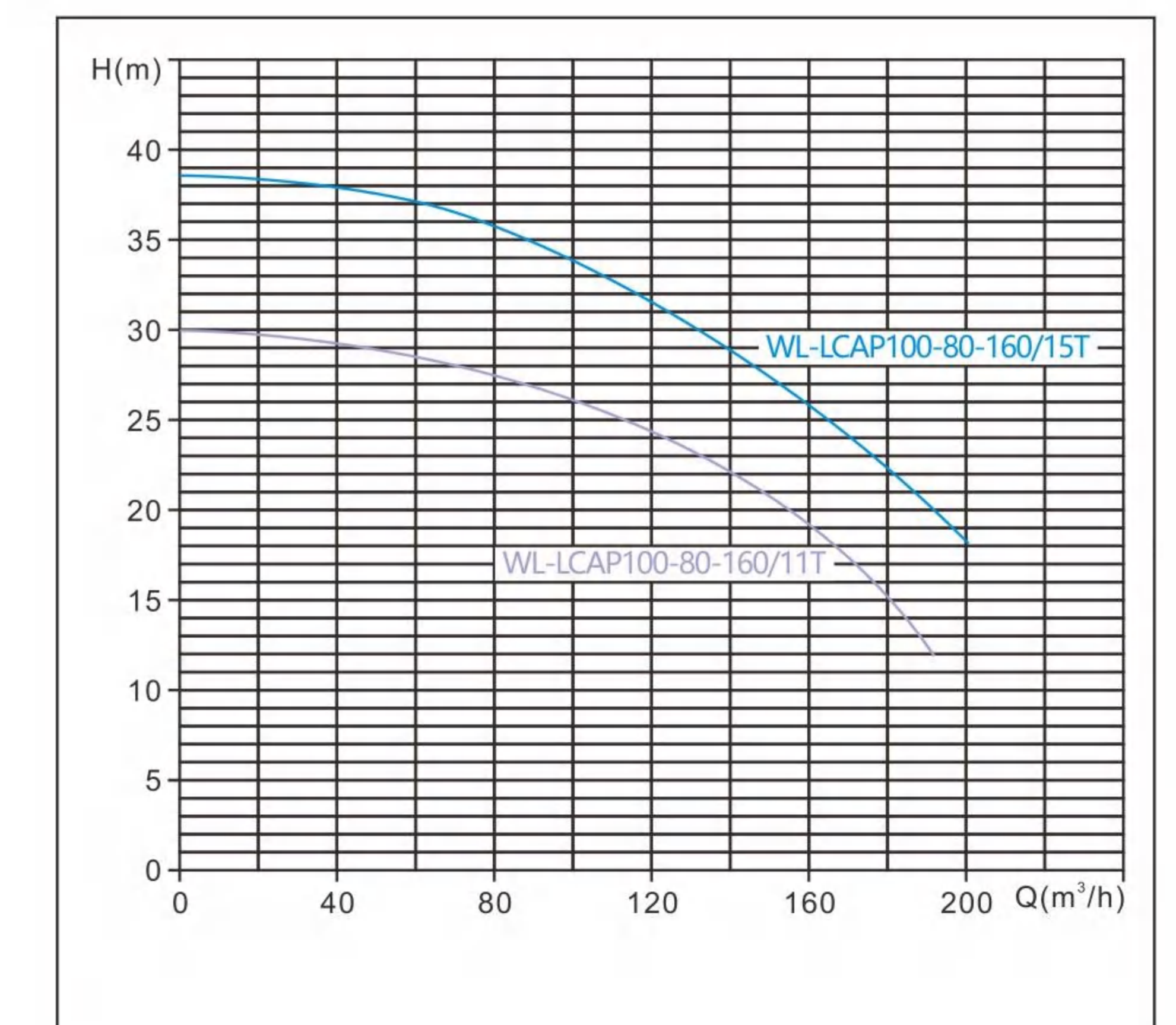
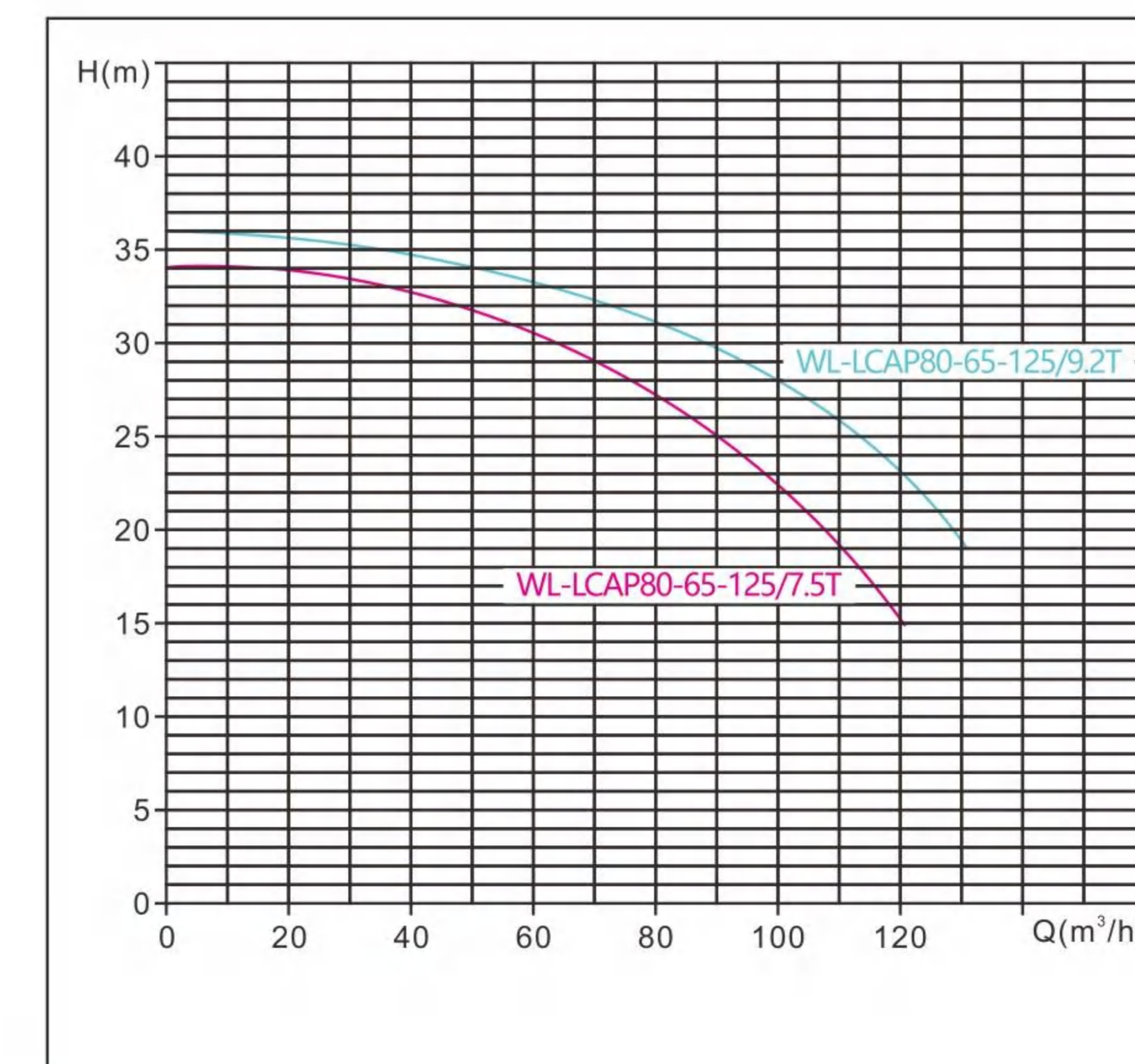
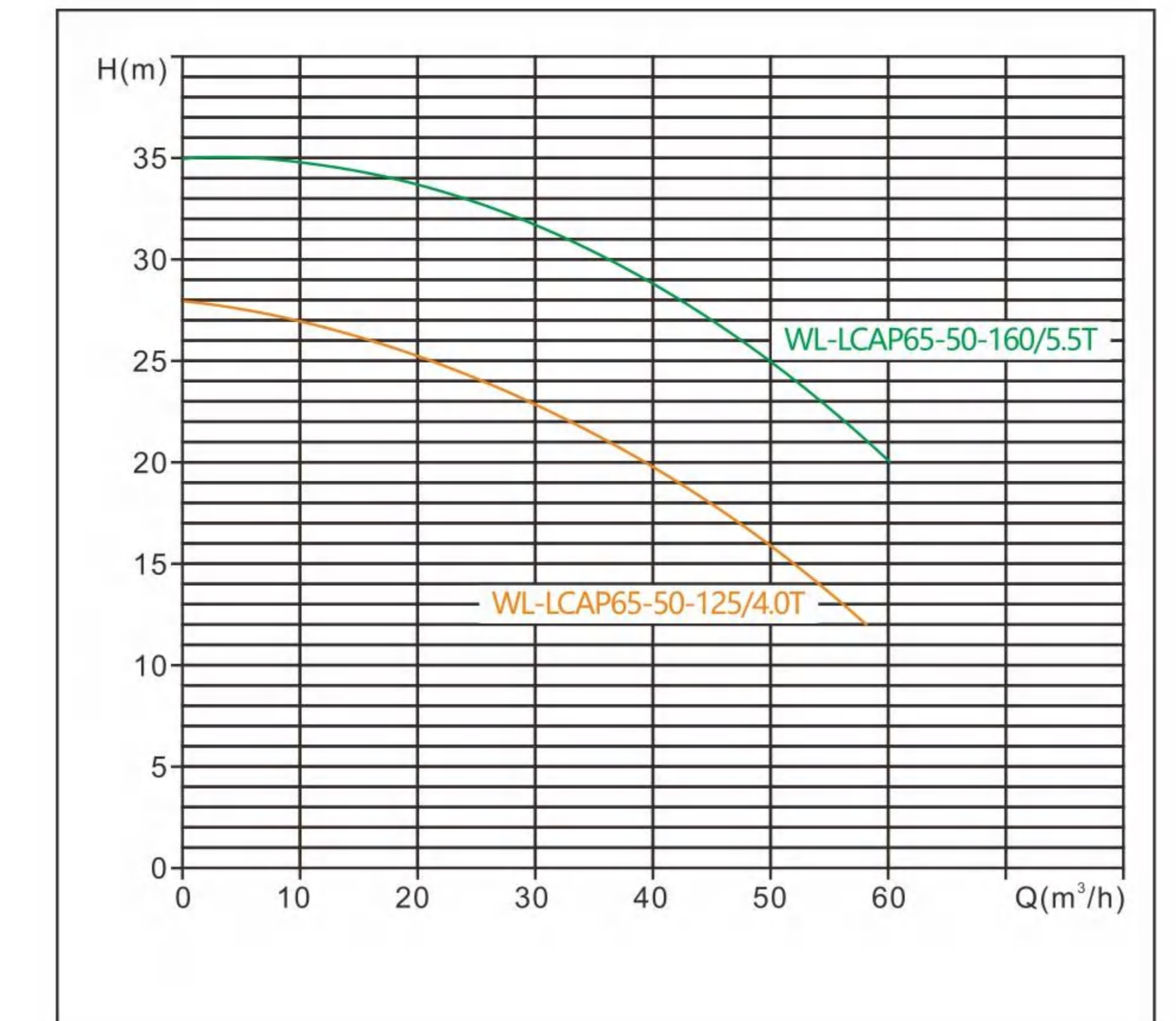
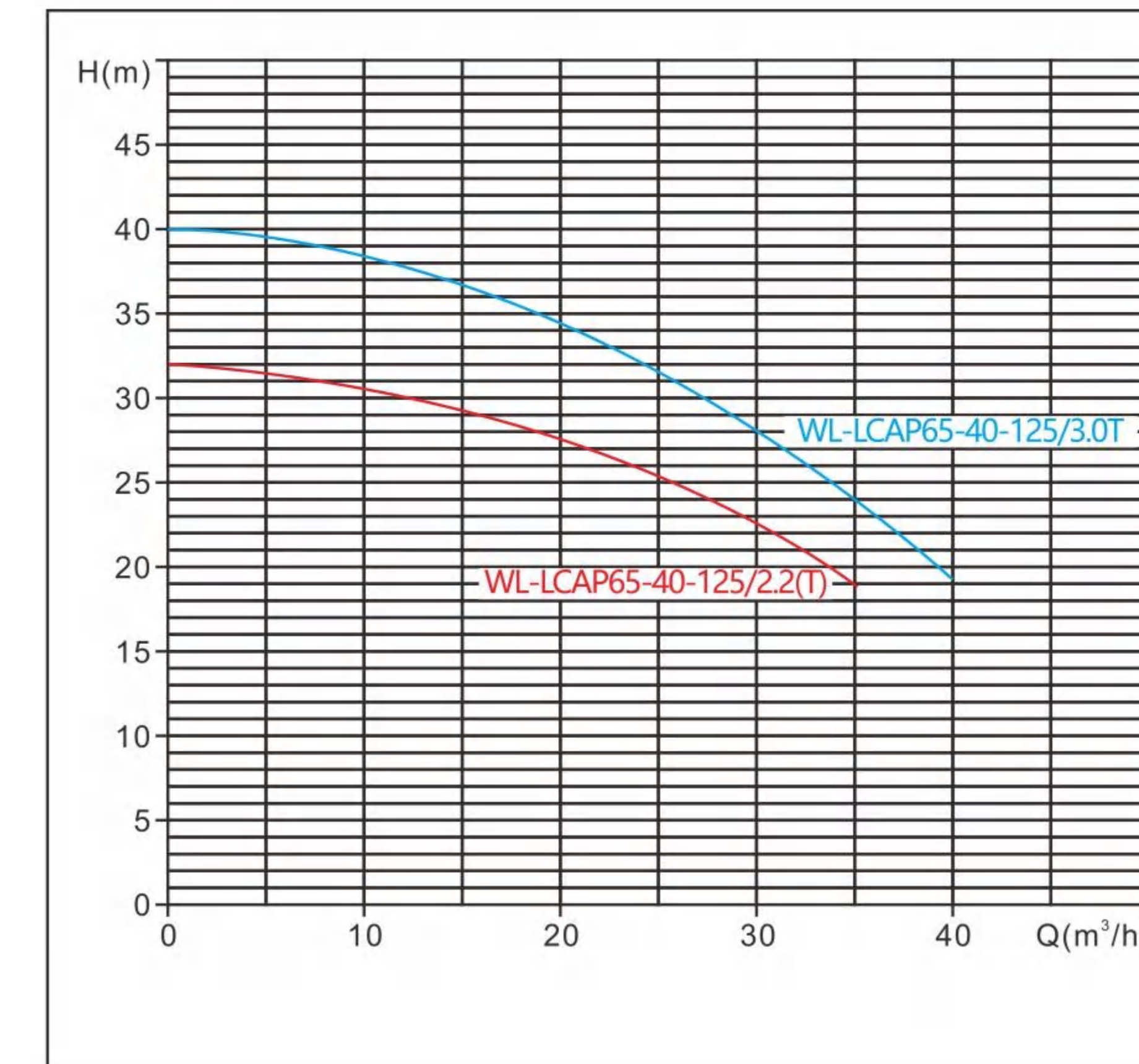
- Protection standard: IP55
- Insulation class: F
- Liquid temperature: $\leq 104^{\circ}\text{C}$ (219.2 $^{\circ}\text{F}$)
- Ambient temperature: $\leq 50^{\circ}\text{C}$ (122 $^{\circ}\text{F}$)
- Max. Working pressure: 10.0bar

Materials:

- Pump housing: SS304
- Filter basket: SS304
- Shaft: SS304
- Impeller: SS304



QH.Curve of The Pump



Model	Output power P ₂		Current (A)		Q-Max (m ³ /h)	H-Max (m)	Packing size (mm)
	kW	HP	220V	380V(T)			
WL-LCAP65-40-125/2.2(T)	2.2	3.0	14	4.9	35	28	890×350×570
WL-LCAP65-40-125/3.0T	3.0	4.0	----	6.3	40	32	890×350×570
WL-LCAP65-50-125/4.0T	4.0	5.5	----	9.6	55	28	930×350×570
WL-LCAP65-50-160/5.5T	5.5	7.5	----	11.1	60	35	1035×360×580
WL-LCAP80-65-125/7.5T	7.5	10	----	14.9	120	34	1035×360×580
WL-LCAP80-65-125/9.2T	9.2	12.5	----	18.3	130	36	1105×360×580
WL-LCAP100-80-160/11T	11	15	----	21.2	192	30	1225×410×630
WL-LCAP100-80-160/15T	15	20	----	28.6	200	38	1225×410×630

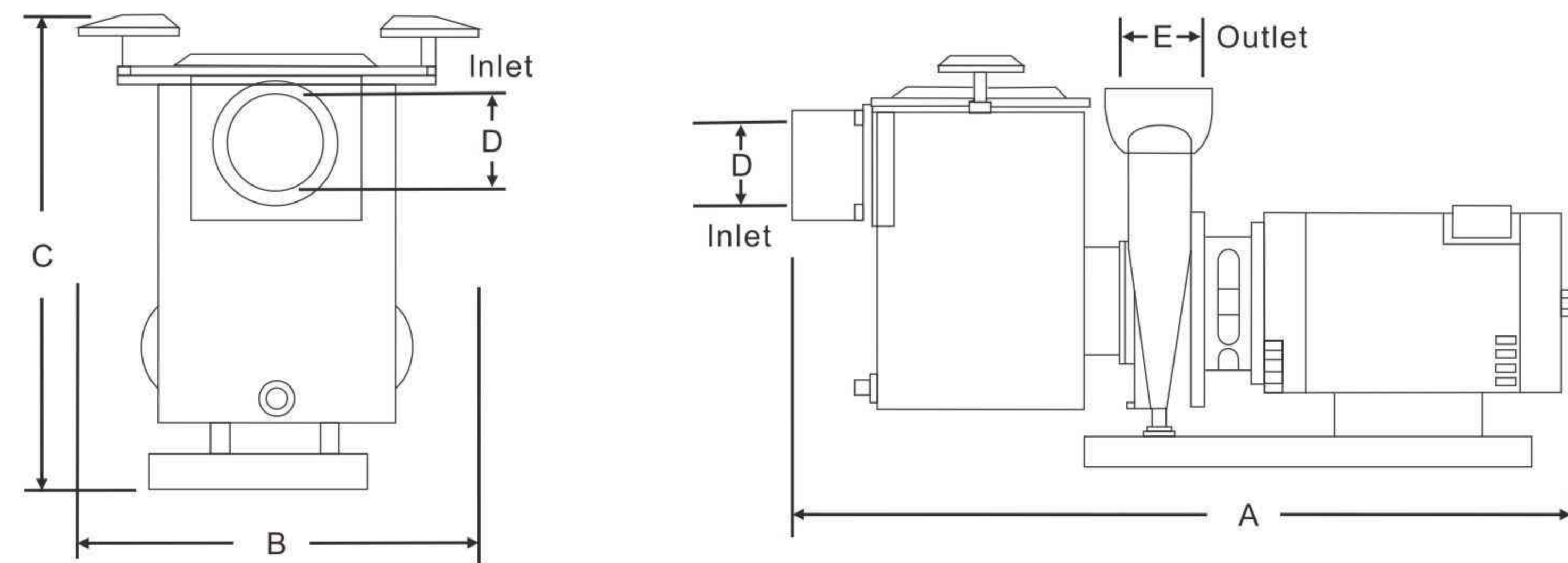
Model	E	F	H	h1	h2	h3	h4	A	m1	m2	n1	n2	B	C	D	ϕS	L1	L2	$\phi D1$	$\phi K1$	$\phi P1$	$\phi D2$	$\phi K2$	$\phi P2$	m	n	DNA	DNM
WL-LCAP65-40-125/2.2(T)	310	815	437	112	255	119	240	470	70	115	160	190	435	110	100	12	160	190	175	145	120	150	110	80	4	4	65	40
WL-LCAP65-40-125/3.0T	310	850	437	132	292	119	240	470	70	118	190	240	435	115	100	12	160	190	175	145	120	150	110	80	4	4	65	40
WL-LCAP65-50-125/4.0T	310	888	437	132	292	142	240	470	70	115	190	240	435	115	140	15	190	225	175	145	120	165	125	96	4	4	65	50
WL-LCAP65-50-160/5.5T	310	944	437	160	360	162	240	490	70	118	212	264	455	124	140	15	190	230	175	145	120	165	125	96	4	4	65	50
WL-LCAP80-65-125/7.5T	310	988	437	160	340	162	240	520	90	152	212	250	473	113	140	15	190	230	192	160	130	165	145	115	4	8	80	65
WL-LCAP80-65-125/9.2T	310	1056	437	160	340	179	240	520	90	152	212	250	473	175	140	15	216	255	192	160	130	180	145	115	4	8	80	65
WL-LCAP100-80-160/11T	363	1142	487	180	405	179	280	598	90	176	250	290	551	183	140	15	216	255	210	180	154	200	160	132	8	8	100	80
WL-LCAP100-80-160/15T	363	1184	487	180	405	179	280	598	90	176	250	290	551	183	140	15	216	255	210	180	154	200	160	132	8	8	100	80

ATB SERIES PUMP

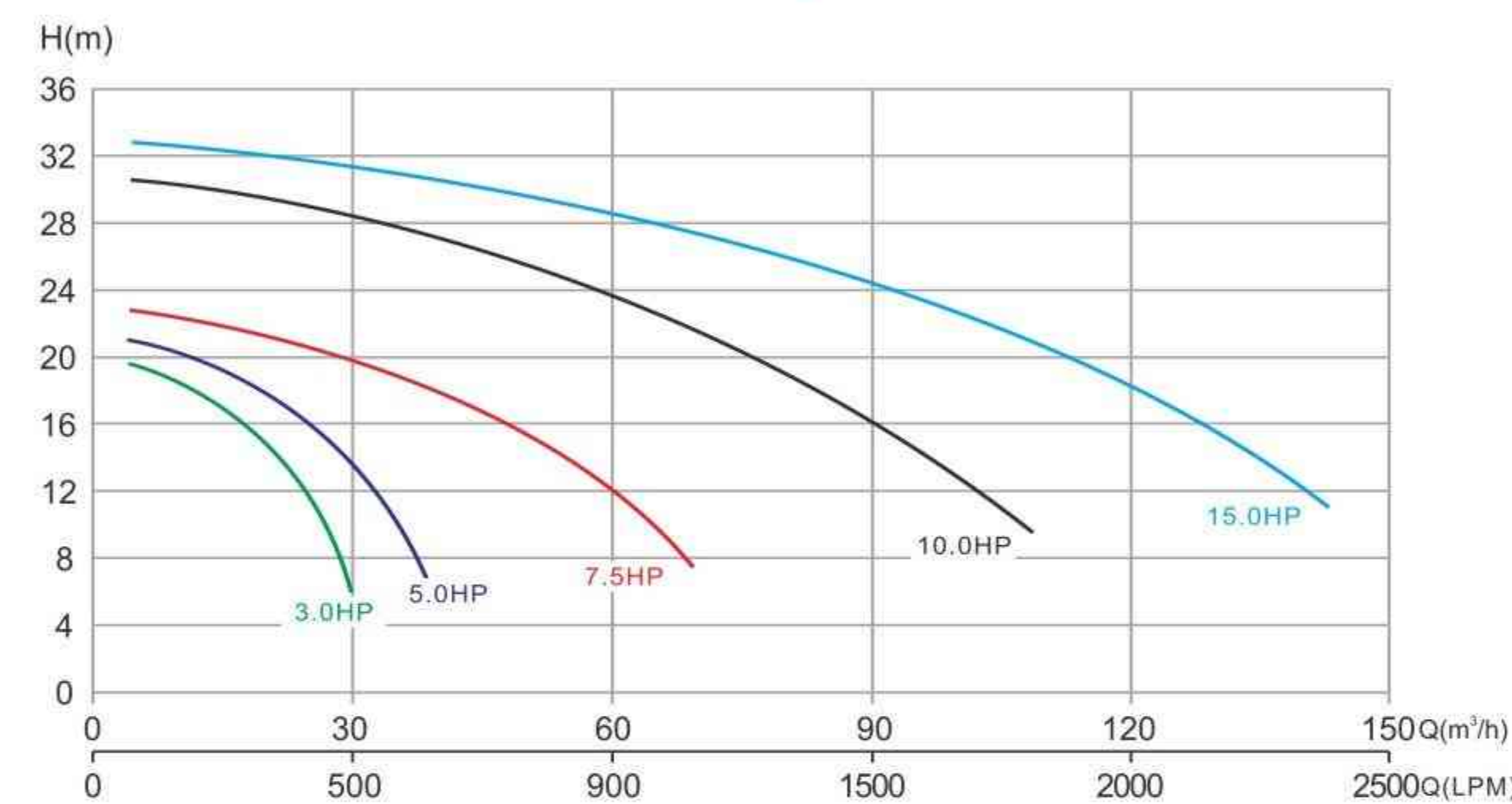
Brass pumps are designed for maximum performance and economy in swimming filtration system. Besides they are extremely quiet in operation.

Features:

- Durable brass construction.
- High performance motors for maximum flow.
- Self-priming to insure proper filtration.
- Stainless steel mechanical seal.
- Closed impeller for longer motor bearing life.
- Heat-resistant seal.



QH.Curve of The Pump



Model	Horsepower (HP)	Rated Power (kW)	Phase	Voltage (V)	Inlet/Outlet	A Length (mm)	B Width (mm)	C Height (mm)
WL-ATB030	3.0	2.25	3	380	2"/2"	660	200	200
WL-ATB050	5.0	3.8	3	380	3"/2.5"	720	230	400
WL-ATB075	7.5	5.5	3	380	3"/2.5"	720	266	400
WL-ATB100	10.0	7.5	3	380	4"/3"	1060	340	570
WL-ATB150	15.0	11.0	3	380	4"/4"	1090	340	570

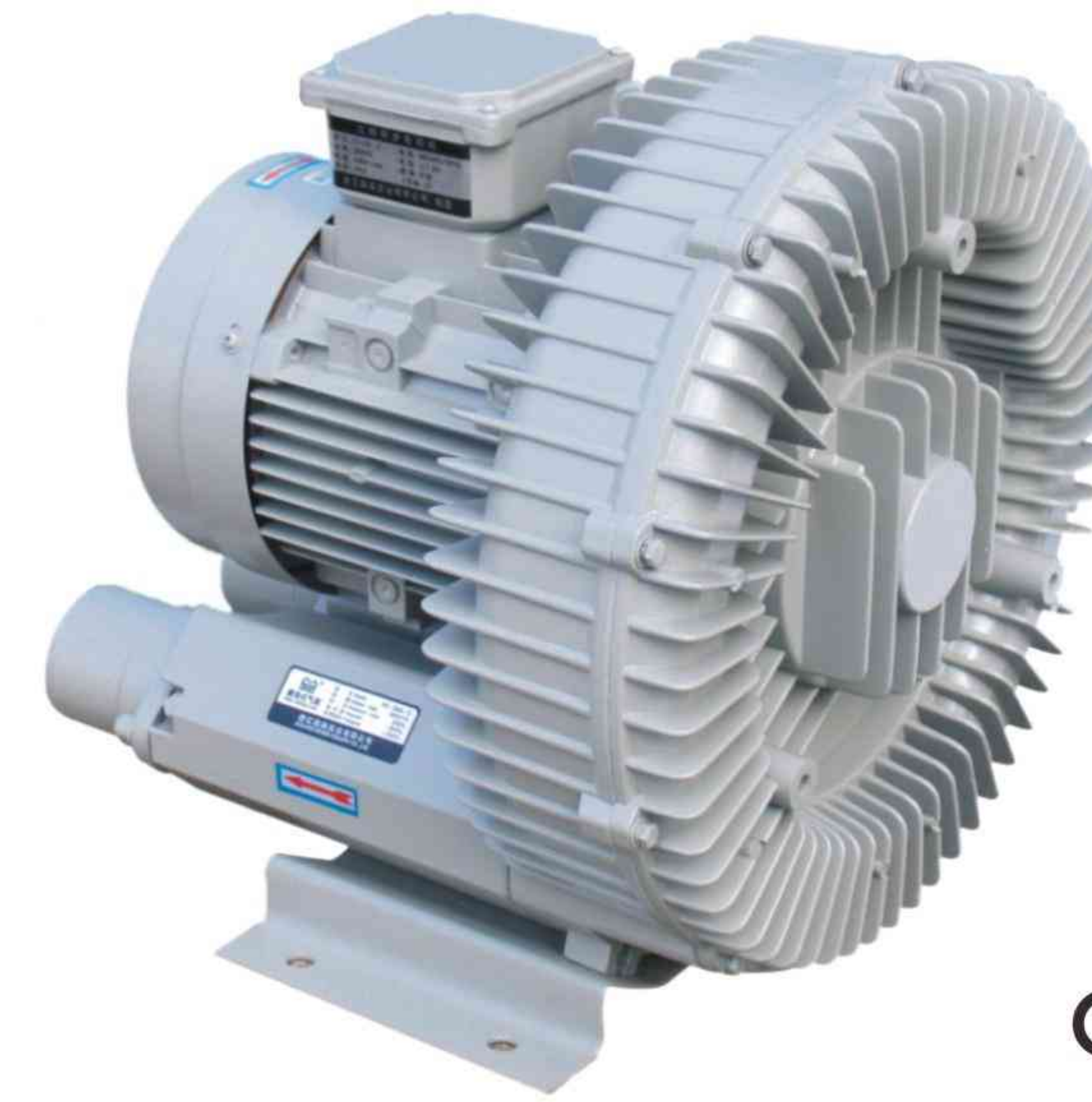
AIR BLOWER

Features:

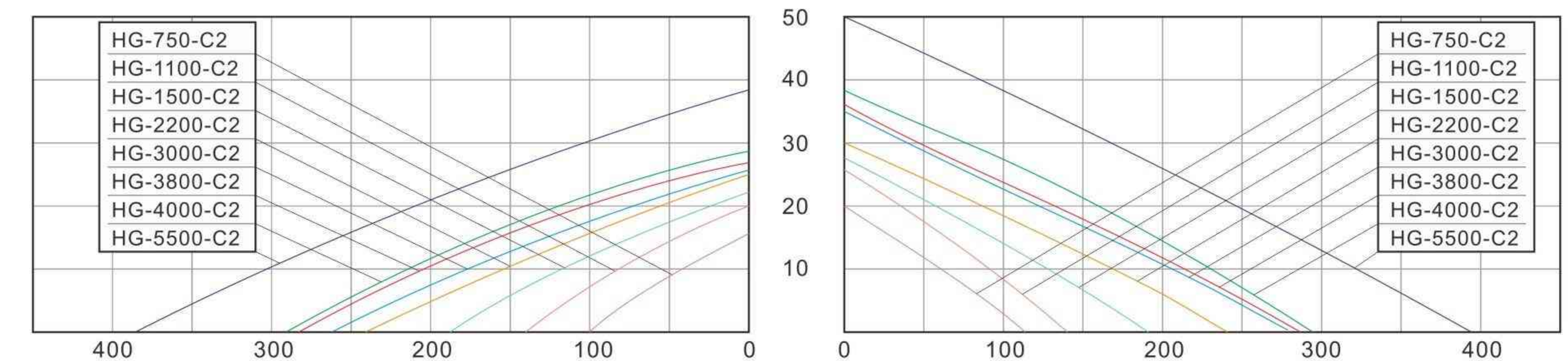
- Centrifugal vanes produce high pressure, great outflow, and low noise.
- A high-quality engine ensures a safe and steady effect.
- Oil free and pure compressed air.
- The machine has a wide range of power and can run a long service life.
- 50Hz or 60Hz are available on request.

Application:

- Swimming Pool/ Spa Pool
- Cooling for Molding
- Ultrasonic Washing and Cleaning Equipment
- Central Vacuum Cleaning System
- Printing Machine
- Sewage Treatment
- Water Treatment
- Agriculture Field
- Fish Farm
- Aquaculture



QH.Curve of The Pump



Model	Voltage (V)	Power (W)	Max.Pressure (Kpa)	Vacuum (Kpa)	Output (m³/h)	Pressure (KPa)	Weight (KGS)	Dimensions LxWxH(mm)
HG-750-C2	220	750	20	-16	110	<12	14	306×288×315
HG-1100-C2	220	1100	26	-20	135	<18	19	329×320×390
HG-1500-C2	380	1500	28	-22	180	<18	25	338×328×357
HG-2200-C2	380	2200	30	-24	240	<20	28	392×362×372
HG-3000-C2	380	3000	35	-25	260	<25	36	425×384×400
HG-3800-C2	380	3800	36	-26	280	<26	38	410×392×404
HG-4000-C2	380	4000	38	-28	280	<28	45	415×392×404
HG-5500-C2	380	5500	50	-35	380	<28	58	486×418×453

SMARTER WATER FOR A
SMARTER HOME

02



POOL FILTERS

SUPER SERIES SAND FILTER

POOL FILTERS

POOL FILTERS

Made of high density polyethylene material and integration of blow molding technology. HDPE filter tank is compatible with many different weather condition. Unique structural design gets the best clarity of filtered water and a better backwash.



WL-SDG 17~WL-SDG 26



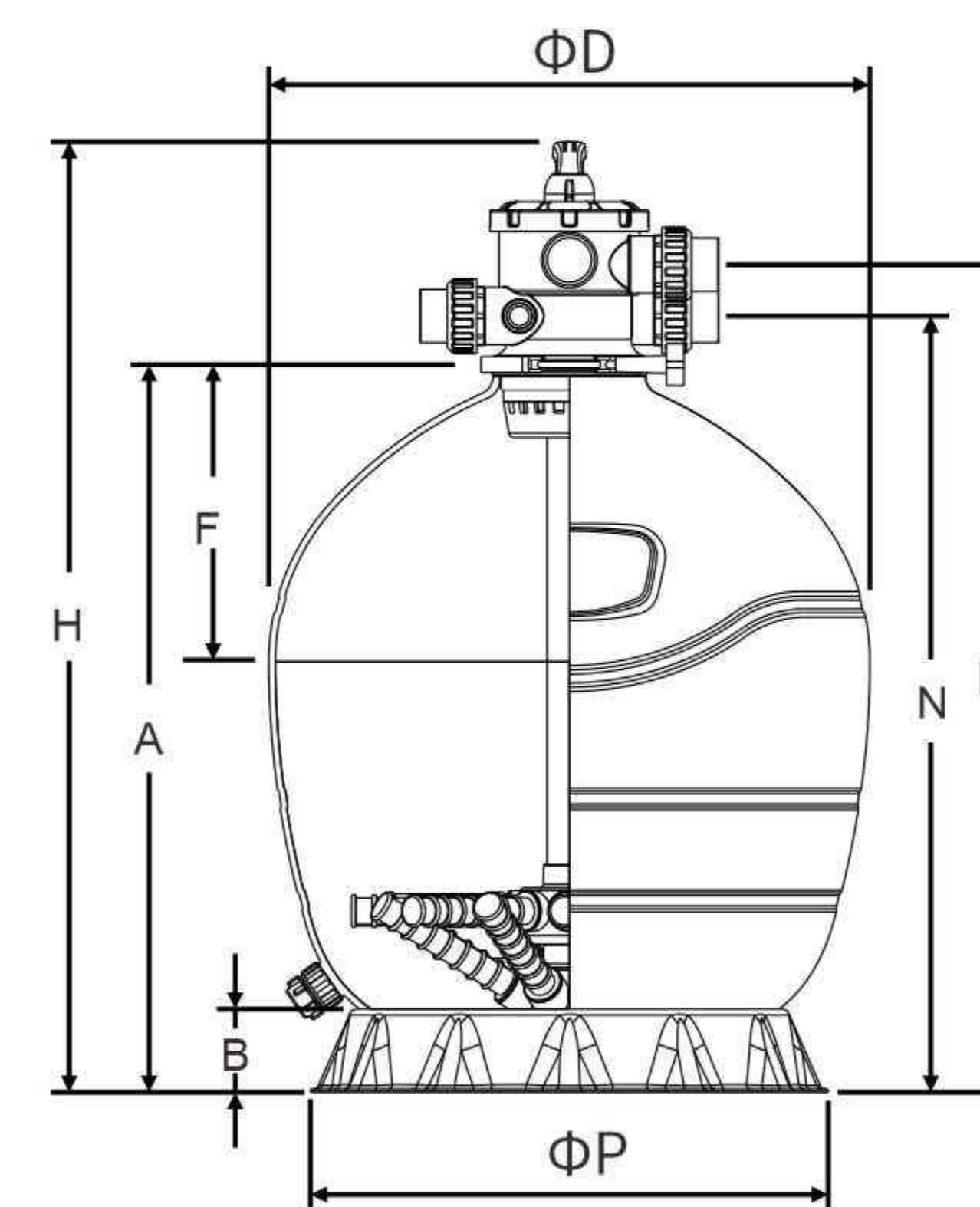
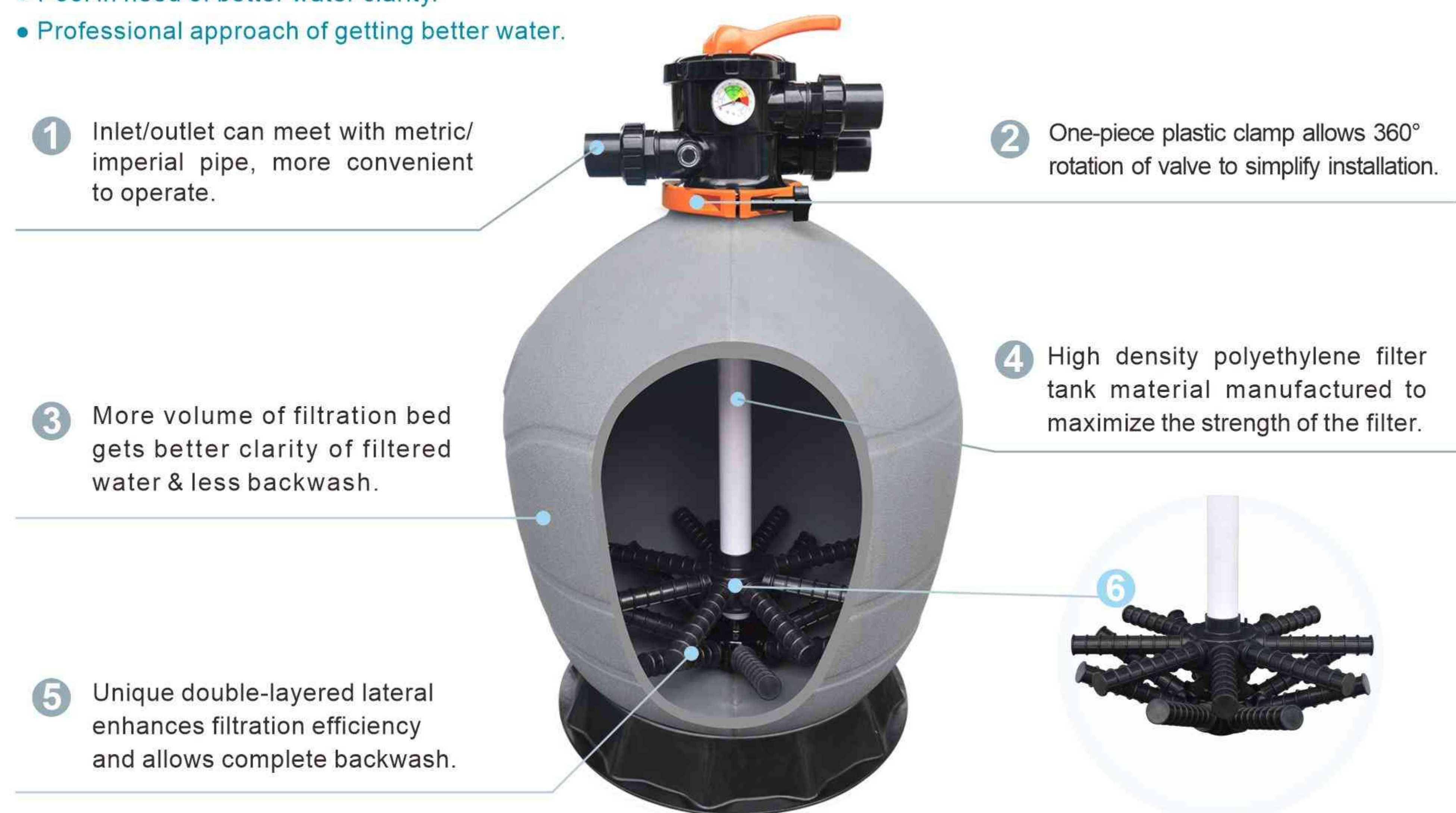
WL-SCG 20~WL-SCG 26

Advantages:

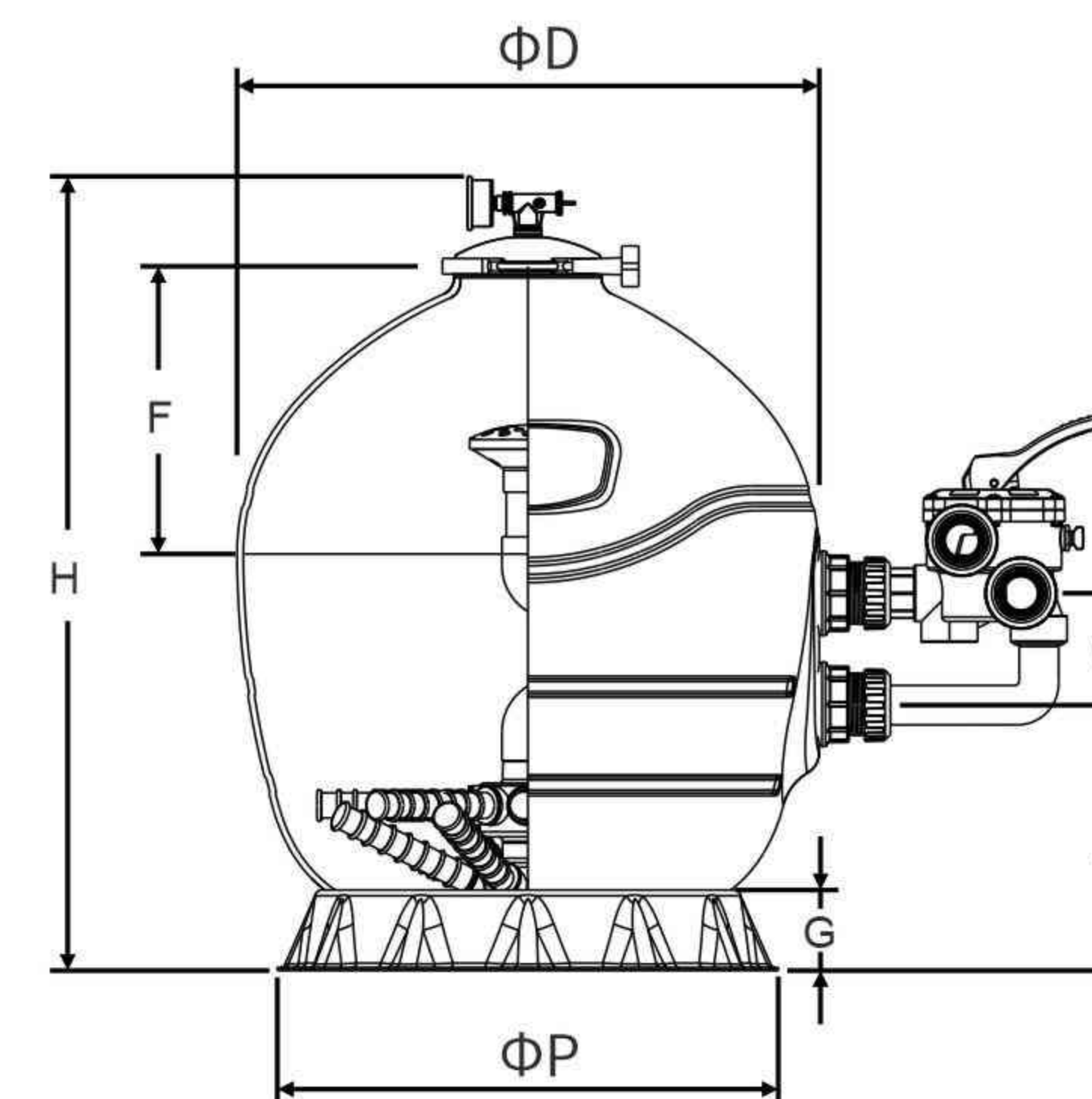
- More efficient: 30% more of filtration bed improves the filtration quality easily.
- Environmental, safe & corrosive-proof material: suitable to all types of swimming pools.
- Easy maintenance: no tools is required for maintenance or operation.
- Pool in need of better water clarity.
- Professional approach of getting better water.

Features:

- Suitable for pools with different disinfection system such as salt chlorine generator, UV sterilizer, Ozone system and chemical dosing.
- Can be used for Pool, Spa and Water features.
- Easy to maintain and replace.



Model	WL-SDG-17	WL-SDG-20	WL-SDG-24	WL-SDG-26
ΦD(mm)	425	500	600	650
H(mm)	767	890	983	1028
B(mm)	75	75	75	90
A(mm)	526	650	743	787
ΦP(mm)	390	390	390	560
N(mm)	579	702	795	839
M(mm)	635	758	850	895
F(mm)	195	236	285	319



Model	WL-SCG-20	WL-SCG-24	WL-SCG-26
ΦD(mm)	500	600	650
H(mm)	736	830	887
A(mm)	241	310	296
ΦP(mm)	390	390	560
C(mm)	125	125	125
G(mm)	75	75	90
F(mm)	236	285	319

Product parameters

Model	Pipe Size		Filter Area (m ²)	Design Flow		0.5-0.8mm Sand Weight (kg)	Tank Volume (m ³)	Valve Volume (m ³)	Tank Weight (kg)	Valve Weight (kg)
	inches	mm		m ³ /h	lpm					
WL-SDG-17	1.5	50	0.14	7.0	117	50	0.11	0.02	9.8	3
WL-SDG-20	1.5	50	0.19	9.5	158	90	0.16	0.02	12.3	3
WL-SDG-24	1.5	50	0.27	13.5	225	140	0.26	0.02	15.2	3
WL-SDG-26	1.5	50	0.32	16.0	267	170	0.34	0.02	18	3

Note: The model WL-SDG-17 is with one layer lateral.

Model	Pipe Size		Filter Area (m ²)	Design Flow		0.5-0.8mm Sand Weight (kg)	Tank Volume (m ³)	Valve Volume (m ³)	Tank Weight (kg)	Valve Weight (kg)
	inches	mm		m ³ /h	lpm					
WL-SCG-20	1.5	50	0.19	9.5	158	90	0.16	0.02	13.3	3
WL-SCG-24	1.5	50	0.27	13.5	225	140	0.26	0.02	16.2	3
WL-SCG-26	1.5	50	0.32	16.0	267	170	0.34	0.02	19	3

MAXIMUM WORKING PRESSURE: 40psi/2.8kg/cm²

MAXIMUM TEMPERATURE ≤ 50 °C

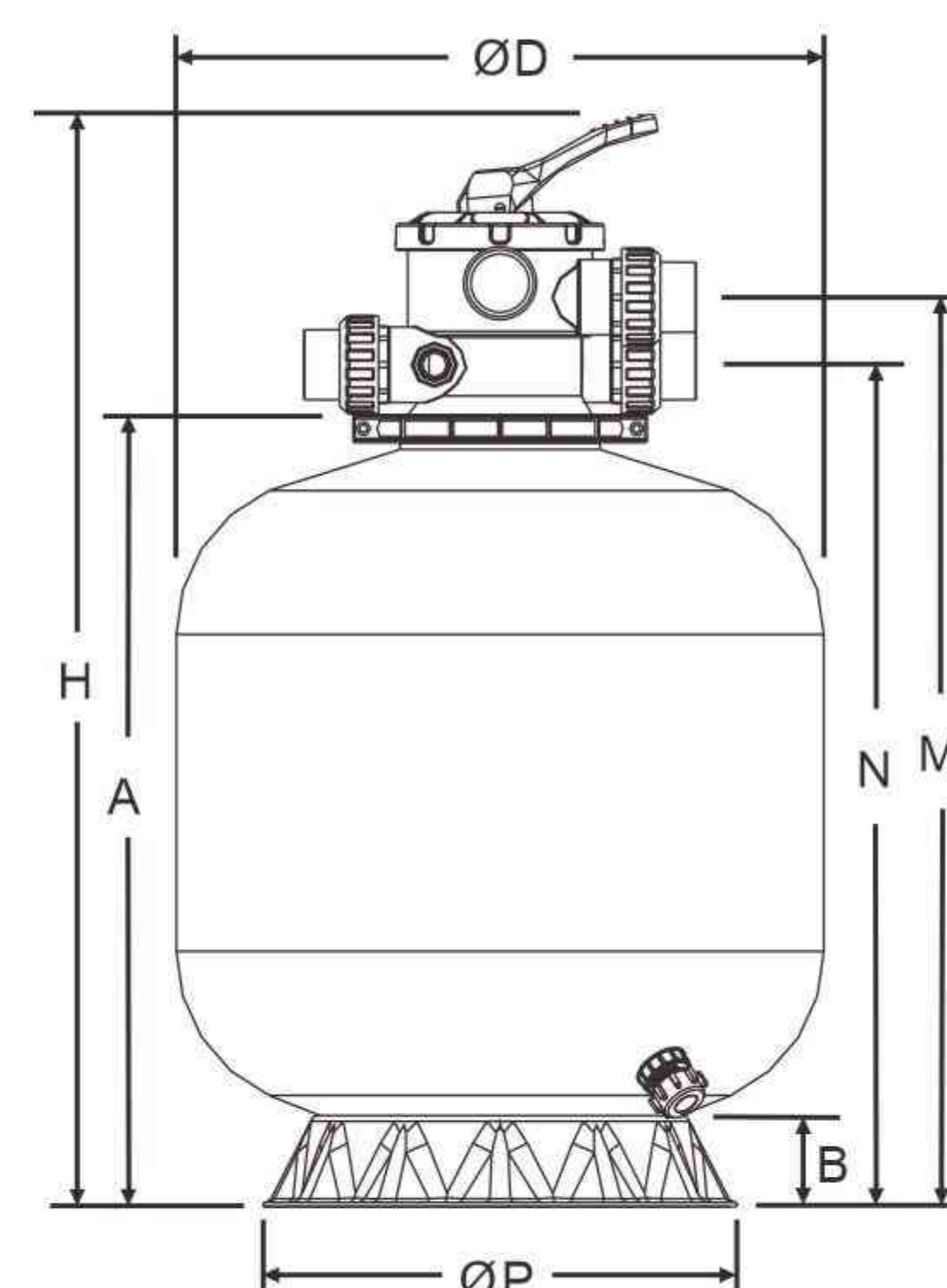
"P-DG" SERIES FILTERS

Features:

- Made of high density polyethylene material, corrosive-proof, safe and environmental.
- Unitized thermal plastic filter tank tough, durable and suitable for many different weather condition.
- Easy-to-use multiport valve lets you select any of the valve/filter operation with a simple lever-action.
- Clamp lock is designed to allow 360 degree rotation to simplify installation.
- Compact and save space.
- These sand filters are applicable in all types of pool, spa, fountain, waterscape and aquarium.

Main parts:

- Easy-to-use six-position valve makes the selection of the valve/ filter simple.
 - * FILTER (Normal filtration and vacuuming).
 - * BACKWASH (Clean filter by reversing the flow).
 - * RINSE (Used after backwash to flush dirt from valve).
 - * WASTE (By-passes filter, used for vacuuming to waste or lowering water level).
 - * RECIRCULATE (By-passes filter for circulation water to pool).
 - * CLOSE.
- Unitized and durable tank.
- Special drainage design, easy to drain, maintain and ice-free in winter.



ØD(mm)	350	410	450	535	635	710
H(mm)	750	770	830	870	970	1040
B(mm)	75	75	75	75	95	95
A(mm)	490	510	570	610	710	780
ØP(mm)	319	319	390	390	565	565
N(mm)	545	565	625	665	765	835
M(mm)	600	620	680	720	820	890

Model	Pipe Size		Filter Area (m ²)	Design Flow		0.5-0.8mm Sand Weight (kg)	Tank Volume (m ³)	Valve Volume (m ³)	Tank Weight (kg)	Valve Weight (kg)
	inches	mm		m ³ /h	lpm					
P-DG350	1.5	50	0.10	4.50	75	25	0.06	0.02	4.0	3
P-DG400	1.5	50	0.13	6.50	108	34	0.09	0.02	5.0	3
P-DG450	1.5	50	0.16	8.00	133	50	0.15	0.02	6.5	3
P-DG500	1.5	50	0.23	11.50	192	80	0.20	0.02	9.2	3
P-DG650	1.5	50	0.32	16.00	267	160	0.32	0.02	12.1	3
P-DG700	1.5	50	0.40	20.00	333	220	0.42	0.02	17.0	3

MAXIMUM WORKING PRESSURE: 36psi/2.5kg/cm²(PLASTIC CLAMP)

MAXIMUM WORKING WATER TEMPERATURE≤43°C

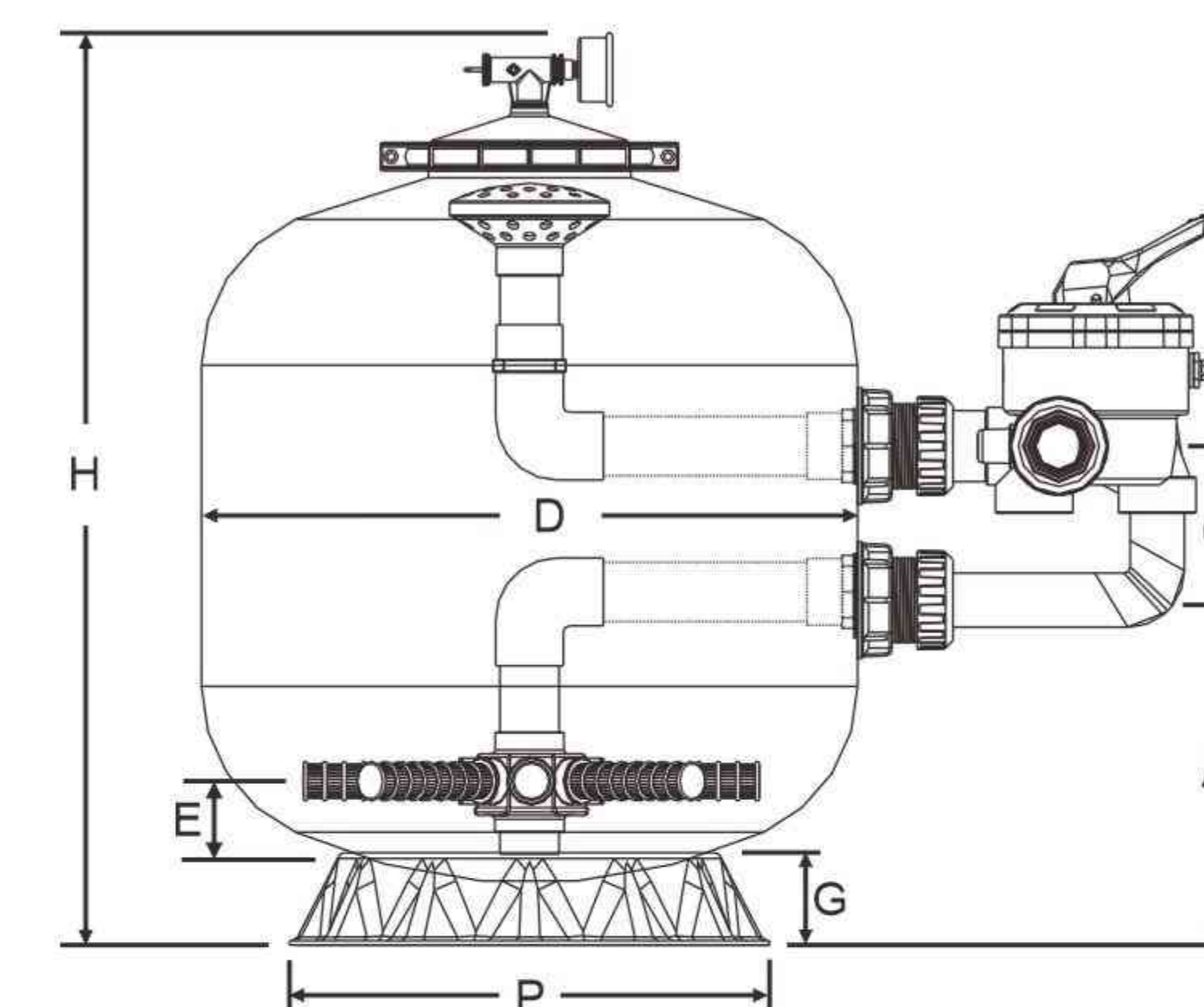
"P-CG" SERIES FILTERS

Features:

- Made of high density polyethylene material, corrosive-proof, safe and environmental.
- Unitized thermal plastic filter tank, tough, durable and suitable for many different weather condition.
- Easy-to-use multiport valve lets you select any of the valve/filter operation with a simple lever-action.
- Compact and save space.
- Top diffuser ensures even distribution of water over the top of the sand bed.
- These sand filters are applicable in all types of pool, spa, fountain waterscape and aquarium.

Main parts:

- Easy-to-use six-position valve makes the selection of the valve/ filter simple.
 - * FILTER (Normal filtration and vacuuming).
 - * BACKWASH (Clean filter by reversing the flow).
 - * RINSE (Used after backwash to flush dirt from valve).
 - * WASTE (By-passes filter, used for vacuuming to waste or lowering water level).
 - * RECIRCULATION (By-passes filter for circulation water to pool).
 - * CLOSE.
- Unitized and durable tank.
- Special drainage design, easy to drain, maintain and ice-free in winter.
- Pressure gauge makes it easier to examine and maintain.
- Air relief bolt enables easy release of trapped air during operation of the filter.



ØD(mm)	450	535	635	710
H(mm)	670	710	810	880
A(mm)	260	290	310	360
ØP(mm)	390	390	565	565
C(mm)	125	125	125	125
G(mm)	75	75	95	90
E(mm)	90	90	90	95

Model	Pipe Size		Filter Area (m ²)	Design Flow		0.5-0.8mm Sand Weight (kg)	Tank Volume (m ³)	Valve Volume (m ³)	Tank Weight (kg)	Valve Weight (kg)
	inches	mm		m ³ /h	lpm					
P-CG450	1.5	50	0.16	8.00	133	50	0.15	0.02	7.0	3
P-CG500	1.5	50	0.23	11.50	192	80	0.20	0.02	10.2	3
P-CG650	1.5	50	0.32	16.00	267	160	0.32	0.02	13.1	3
P-CG700	1.5	50	0.40	20.00	333	220	0.42	0.02	18.0	3

MAXIMUM WORKING PRESSURE: 36psi/2.5kg/cm²(PLASTIC CLAMP)

MAXIMUM OPERATING WATER TEMPERATURE≤43°C

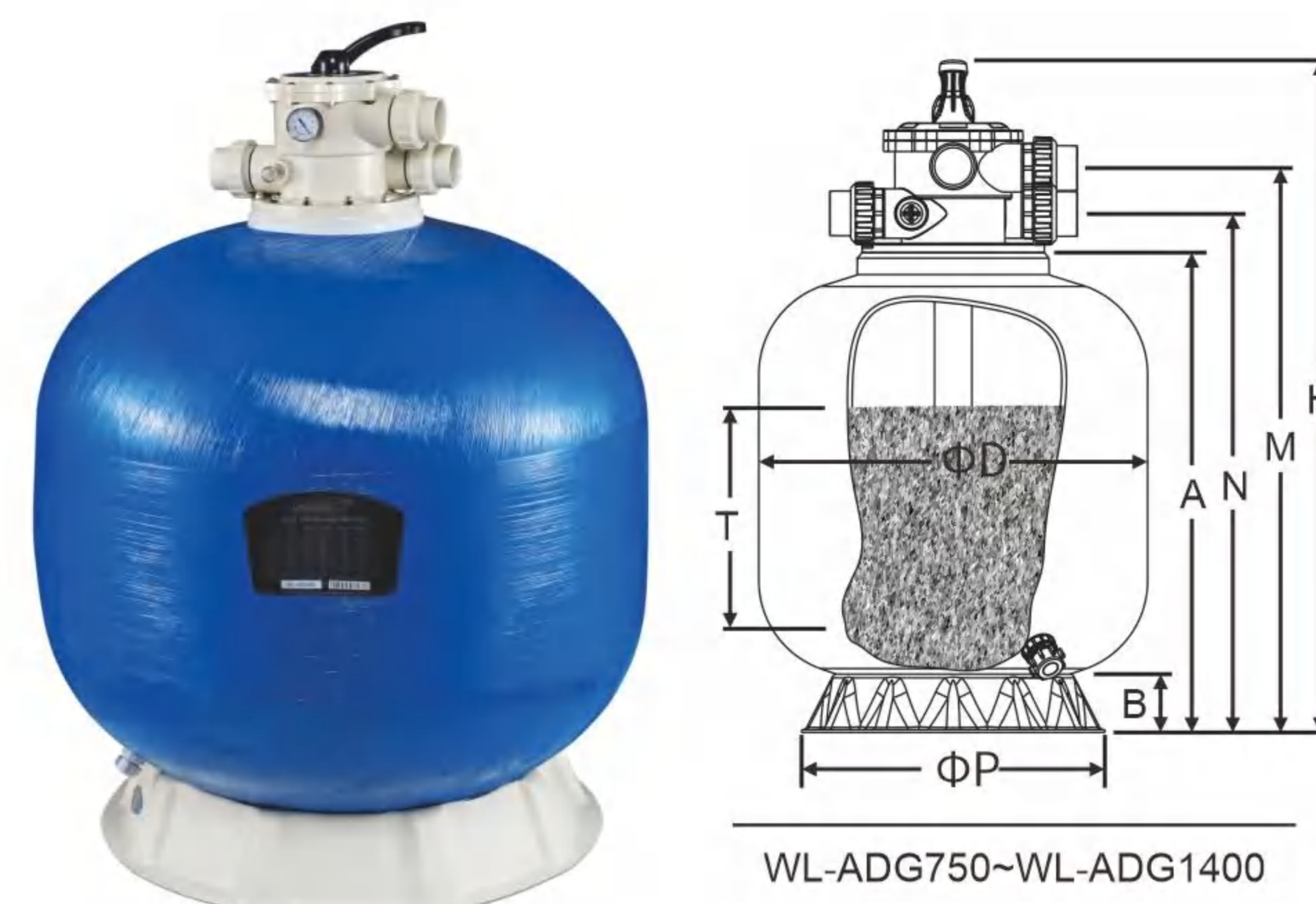
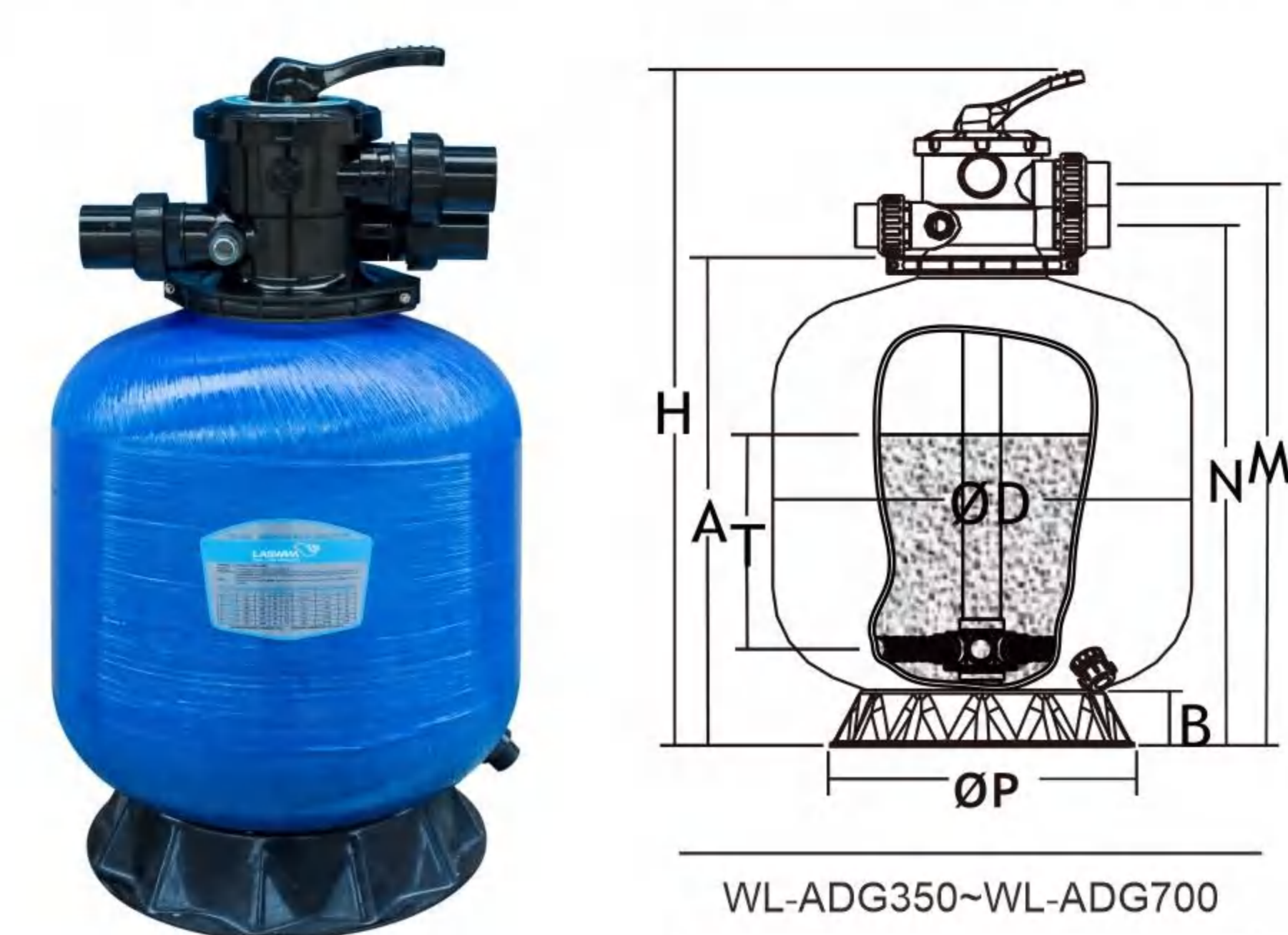
"ADG" SERIES FILTERS

Top mount sand vertical filters are built to be tougher, longer lasting and better performing. Constructed of polyester resin and non-corrosive extra-thick fiberglass filament winding, all internal components and connections are injection molded PVC. UV-resistance surface allows working under sunshine.

Easy-to-use six-position valve makes you select any of the valve/filter operation in a proper way.



- FILTER (Normal filtration and vacuuming).
- BACKWASH (Clean filter by reversing the flow).
- RINSE (Used after backwash to flush dirt from valve).
- WASTE (By-passes filter, used for vacuuming to waste or lowering water level).
- RECIRCULATE (By-passes filter for circulating water to pool).
- CLOSE .



ΦD(mm)	350	410	450	535	635	710	750	800	900	1000	1100	1200	1400
H(mm)	750	770	830	870	970	1040	1120	1130	1270	1340	1460	1540	1750
A(mm)	490	510	570	610	710	780	820	830	970	1040	1160	1240	1450
B(mm)	75	75	75	75	95	95	95	150	150	150	180	180	180
M(mm)	600	620	680	720	820	890	962	973	1112	1182	1302	1392	1592
N(mm)	545	565	625	665	765	835	882	892	1032	1102	1222	1312	1512
ΦP(mm)	319	319	390	390	565	565	565	790	790	790	1010	1010	1010
T(mm)	150	160	220	260	370	450	490	490	500	520	570	650	850

Model	Pipe Size		Filter Area (m ²)	Design Flow		0.5-0.8mm Sand Weight (kg)	Tank Volume (m ³)	Valve Volume (m ³)	Tank Diameter (mm)	Filter Height (mm)
	inches	mm		m ³ /h	lpm					
WL-ADG350	1.5	50	0.10	4.5	75	25	0.06	0.02	350	750
WL-ADG400	1.5	50	0.13	6.5	108	34	0.09	0.02	410	770
WL-ADG450	1.5	50	0.16	8.0	133	50	0.15	0.02	450	830
WL-ADG500	1.5	50	0.23	11.5	192	80	0.20	0.02	535	870
WL-ADG650	1.5	50	0.32	16.0	267	160	0.32	0.02	635	970
WL-ADG700	1.5	50	0.40	20.0	333	220	0.42	0.02	710	1040
WL-ADG750	2.0	63	0.44	22.0	367	230	0.44	0.03	750	1120
WL-ADG800	2.0	63	0.50	25.0	417	260	0.68	0.03	800	1130
WL-ADG900	2.0	63	0.64	30.0	533	400	0.95	0.03	900	1270
WL-ADG1000	2.0	63	0.79	35.0	645	600	1.29	0.03	1000	1340
WL-ADG1100	2.0	63	0.95	44.0	716	800	1.40	0.03	1100	1460
WL-ADG1200	2.0	63	1.13	50.0	850	920	2.26	0.03	1200	1540
WL-ADG1400	2.0	63	1.53	68.0	1133	1400	3.50	0.03	1400	1750

STANDARD: MAXIMUM WORKING PRESSURE: 36psi/2.5kg/cm² MAXIMUM OPERATING WATER TEMPERATURE: ≤50°C MAXIMUM TESTING PRESSURE: 58psi/4.0kg/cm²
 OPTIONAL: MAXIMUM WORKING PRESSURE: 58psi/4.0kg/cm² (WL-ADG750-1400) MAXIMUM OPERATING WATER TEMPERATURE: ≤50°C MAXIMUM TESTING PRESSURE: 86psi/6.0kg/cm²

"BCG" SERIES FILTERS

Side mount sand filters are built to be tougher, longer lasting and better performing. Constructed of polyester resin and non-corrosive fiberglass filament winding, all internal components and connections are injection molded PVC. They produce more filtered water with less pump horsepower. UV-resistance surface allows working under sunshine. Easy-to-use six-position valve makes you select any of the valve/filter operation in a proper way.



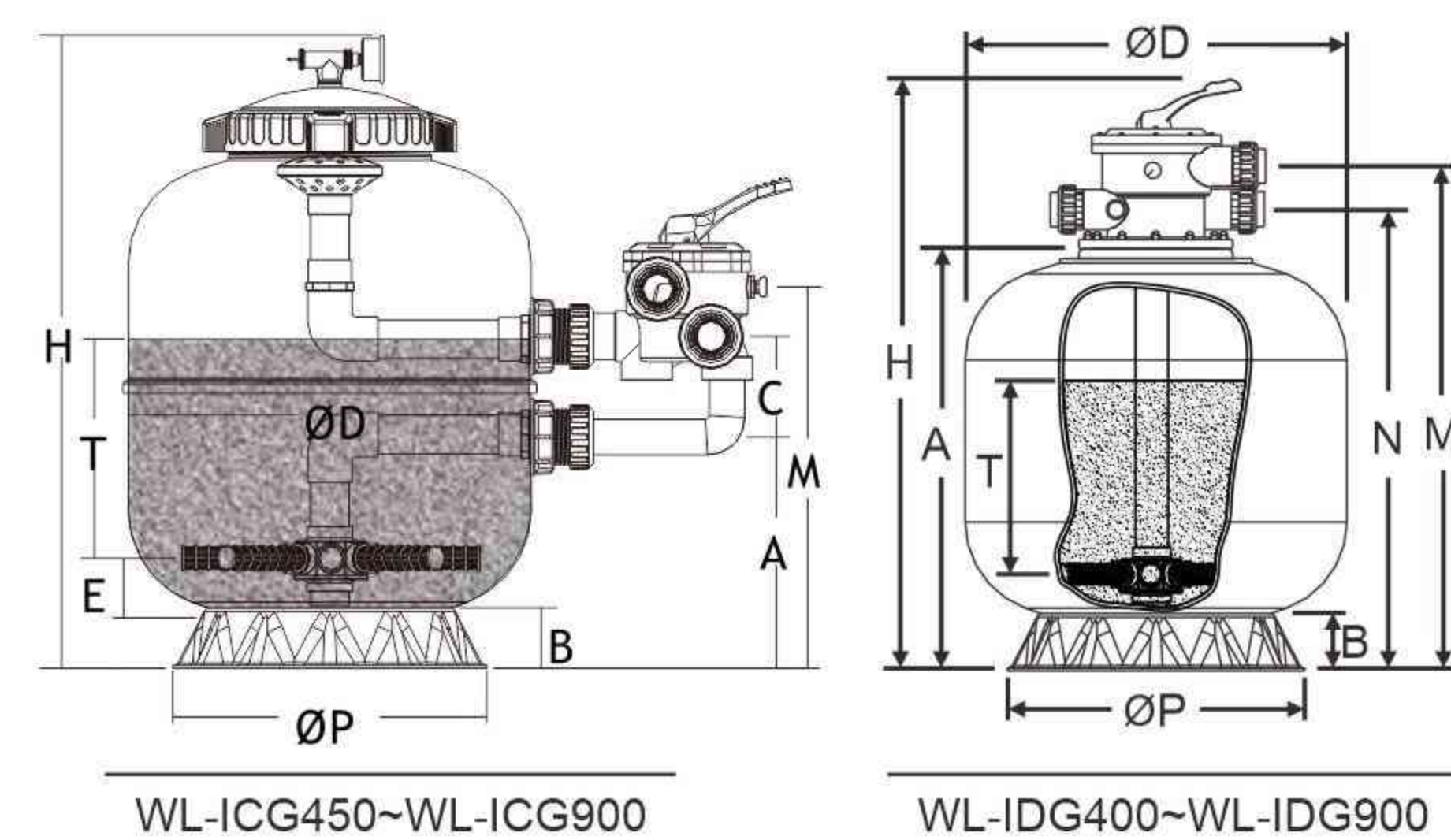
ΦD(mm)	450	535	635	710	750	800	900	1000	1100	1200	1400
H(mm)	670	710	810	880	980	1010	1100	1160	1260	1340	1570
A(mm)	260	290	310	360	385	385	430	540	540	540	700
B(mm)	75	75	95	90	120	150	150	150	180	180	180
C(mm)	125	125	125	125	220	220	220	220	220	220	220
M(mm)	440	460	490	540	680	680	725	835	835	835	---
ΦP(mm)	390	390	565	565	565	790	790	790	1010	1010	1010
T(mm)	250	280	300	350	400	420	480	510	560	600	630

Model	Pipe Size		Filter Area (m ²)	Design Flow		0.5-0.8mm Sand Weight (kg)	Tank Volume (m ³)	Valve Volume (m ³)	Tank Diameter (mm)	Filter Height (mm)
	inches	mm		m ³ /h	lpm					
WL-BCG450	1.5	50	0.16	8.0	133	50	0.15	0.02	450	670
WL-BCG500	1.5	50	0.23	11.5	192	80	0.20	0.02	535	710
WL-BCG650	1.5	50	0.32	16.0	267	160	0.32	0.02	635	810
WL-BCG700	1.5	50	0.40	20.0	333	220	0.42	0.02	710	880
WL-BCG750	2.0	63	0.44	22.0	367	230	0.44	0.02	750	980
WL-BCG800	2.0	63	0.50	25.0	417	260	0.68	0.02	800	1010
WL-BCG900	2.0	63	0.64	30.0	533	400	0.92	0.02	900	1100
WL-BCG1000	2.0	63	0.79	35.0	645	600	1.48	0.02	1000	1160
WL-BCG1100	2.0	63	0.95	44.0	716	800	1.98	0.02	1100	1260
WL-BCG1200	2.0	63	1.13	50.0	850	920	2.42	0.02	1200	1340
WL-BCG1400	2.0	63	1.53	68.0	1133	1400	3.26	0.02	1400	1570

STANDARD: MAXIMUM WORKING PRESSURE: 36psi/2.5kg/cm² MAXIMUM OPERATING WATER TEMPERATURE: ≤50°C MAXIMUM TESTING PRESSURE: 58psi/4.0kg/cm²
 OPTIONAL: MAXIMUM WORKING PRESSURE: 58psi/4.0kg/cm² (WL-BCG750-1400) MAXIMUM OPERATING WATER TEMPERATURE: ≤50°C MAXIMUM TESTING PRESSURE: 86psi/6.0kg/cm²

LAMINATED SAND FILTERS

- Made of fibreglass reinforce laminated polyester.
- Smooth and high brightness appearance.
- 6-way multiport valve.
- Sight glass for inspection of filtered water.
- Easy maintenance, easy cleaning.
- Maximum Working Pressure: 36psi/2.5kg/cm².
- Maximum temperature: 50°C.



WL-ICG450~WL-ICG900



WL-IDG400~WL-IDG900

Model	WL-ICG450	WL-ICG500	WL-ICG650	WL-ICG700	WL-ICG750	WL-ICG800	WL-ICG900
ΦD(mm)	450	500	635	700	750	800	900
H(mm)	660	745	805	885	980	1000	1115
A(mm)	260	280	310	360	385	385	430
B(mm)	75	75	95	95	150	150	150
C(mm)	125	125	125	125	220	220	220
M(mm)	444	464	494	534	680	680	725
ΦP(mm)	390	390	565	565	790	790	790
T(mm)	250	280	300	350	400	420	480

Model	WL-IDG400	WL-IDG450	WL-IDG500	WL-IDG650	WL-IDG700	WL-IDG800	WL-IDG900
ΦD(mm)	400	450	500	635	700	800	900
H(mm)	750	815	870	875	980	1145	1270
A(mm)	500	565	610	625	725	845	970
B(mm)	73	75	75	95	95	150	150
M(mm)	609	674	719	734	835	988	1113
N(mm)	550	615	660	676	776	908	1032
ΦP(mm)	390	390	390	565	565	790	790
T(mm)	160	220	260	300	400	500	550

Model	Pipe Size		Filter Area (m ²)	Design Flow		Sand Weight (kg)	Filter Diameter (mm)	Filter Height (mm)
	inches	mm		m ³ /h	lpm			
WL-ICG450	1.5	50	0.16	8.0	133	45	450	660
WL-ICG500	1.5	50	0.20	10.0	166	80	500	745
WL-ICG650	1.5	50	0.32	15.0	250	130	635	805
WL-ICG700	1.5	50	0.38	19.0	317	190	700	885
WL-ICG750	2.0	63	0.44	22.0	367	230	750	1000
WL-ICG800	2.0	63	0.50	25.0	417	260	800	1000
WL-ICG900	2.0	63	0.64	32.0	533	400	900	1115

Model	Pipe Size		Filter Area (m ²)	Design Flow		Sand Weight (kg)	Filter Diameter (mm)	Filter Height (mm)
	inches	mm		m ³ /h	lpm			
WL-IDG400	1.5	50	0.13	6.0	100	30	400	750
WL-IDG450	1.5	50	0.16	8.0	133	45	450	815
WL-IDG500	1.5	50	0.20	10.0	166	80	500	860
WL-IDG650	1.5	50	0.32	15.0	250	130	635	875
WL-IDG700	1.5	50	0.38	19.0	317	190	700	1000
WL-IDG800	2.0	63	0.50	25.0	417	300	800	1145
WL-IDG900	2.0	63	0.64	32.0	533	450	900	1270

STANDARD: MAXIMUM WORKING PRESSURE: 36psi/2.5kg/cm² MAXIMUM OPERATING WATER TEMPERATURE: ≤50°C MAXIMUM TESTING PRESSURE: 58psi/4.0kg/cm²
 OPTIONAL: MAXIMUM WORKING PRESSURE: 58psi/4.0kg/cm² MAXIMUM OPERATING WATER TEMPERATURE: ≤50°C MAXIMUM TESTING PRESSURE: 86psi/6.0kg/cm²

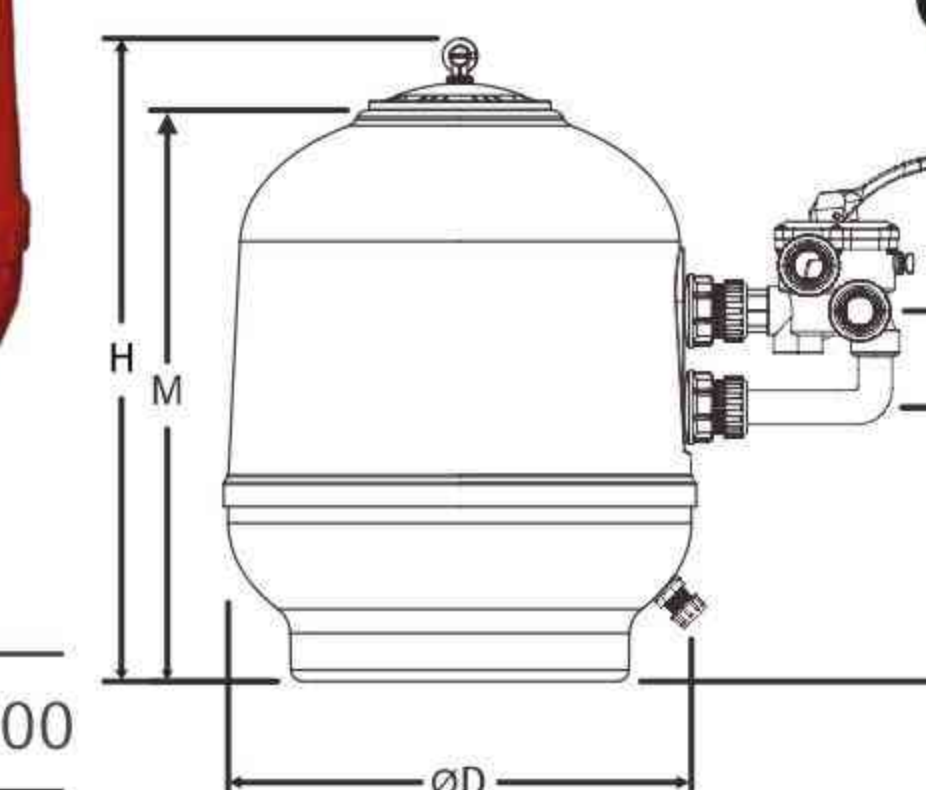
LAMINATED SAND FILTERS

- Laminated filter is adopted evacuation technology to make the surface more smooth and bright.
- New design appearance makes higher filtration bed, and improve the filtration performance.
- Made of anti-corrosive reinforced laminated polyester.
- Smooth and high brightness appearance.
- 6 way multiport valve.
- Sight glass for inspection of filtered water.
- Easy maintenance, easy to clean.

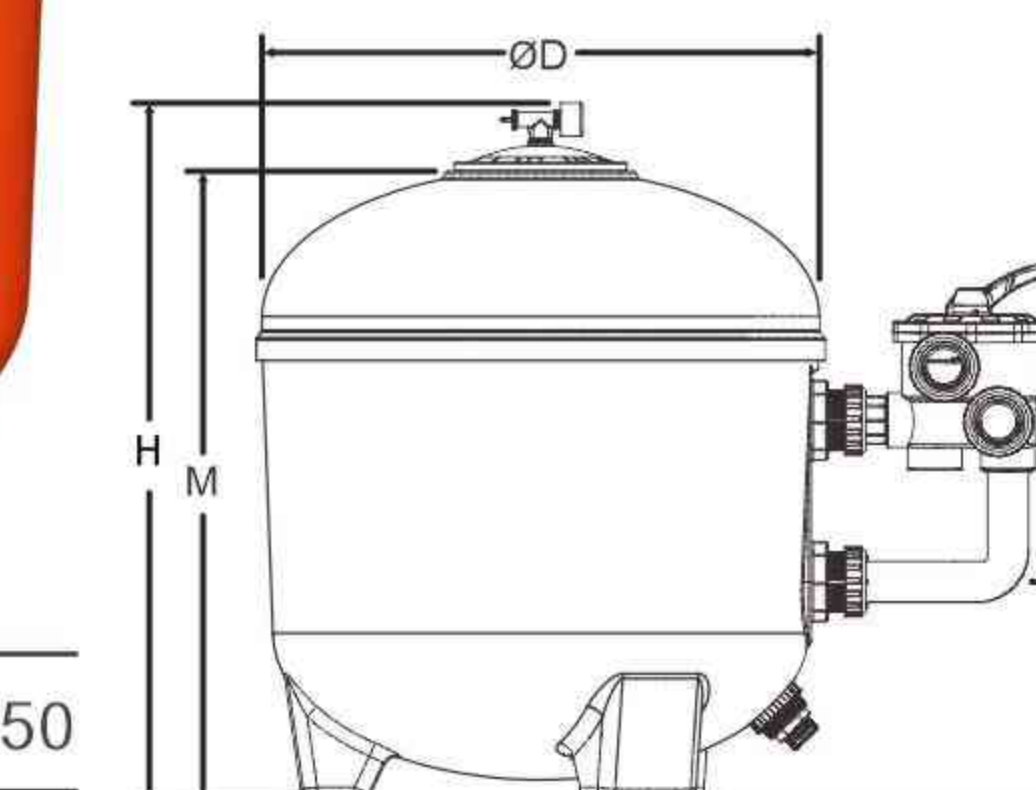
- Maximum Working Pressure: 250kpa/36psi(2.5bar)
- Factory Testing Pressure: 400kpa/58psi(4.0bar)
- Maximum Temperature: 50°C(122°F)
- Size of Gravel: 0.5mm~0.8mm



WL-LECG500~WL-LECG900



WL-LFCG760~WL-LFCG1050



Model	WL-LECG500	WL-LECG600	WL-LECG750	WL-LECG900
ΦD(mm)	500	600	750	900
H(mm)	750	840	960	1150
M(mm)	650	740	860	1050
A(mm)	315	355	300	400
C(mm)	125	125	220	220

Model	WL-LFCG760	WL-LFCG900	WL-LFCG1050
ΦD(mm)	760	900	1050
H(mm)	960	1150	1370
M(mm)	860	1050	1270
A(mm)	300	400	510
C(mm)	220	220	220

Model	Pipe Size		Filter Area (m ²)	Design Flow		Sand Weight (kg)	Filter Diameter (mm)	Filter Height (mm)
	inches	mm		m ³ /h	lpm			
WL-LECG500	1.5	50	0.20	10	167	85	500	650
WL-LECG600	1.5	50	0.28	14	233	140	600	740
WL-LECG750	2.0	63	0.44	22	367	250	750	860
WL-LECG900	2.0	63	0.64	32	533	400	900	1050

Model	Pipe Size		Filter Area (m ²)	Design Flow		Sand Weight (kg)	Filter Diameter (mm)	Filter Height (mm)
	inches	mm		m ³ /h	lpm			
WL-LFCG760	2.0	63	0.45	22	367	230	760	960
WL-LFCG900	2.0	63	0.64	32	533	400	900	1150
WL-LFCG1050	2.0	63	0.86	43	717	800	1050	1370

CARTRIDGE FILTER

POOL FILTERS

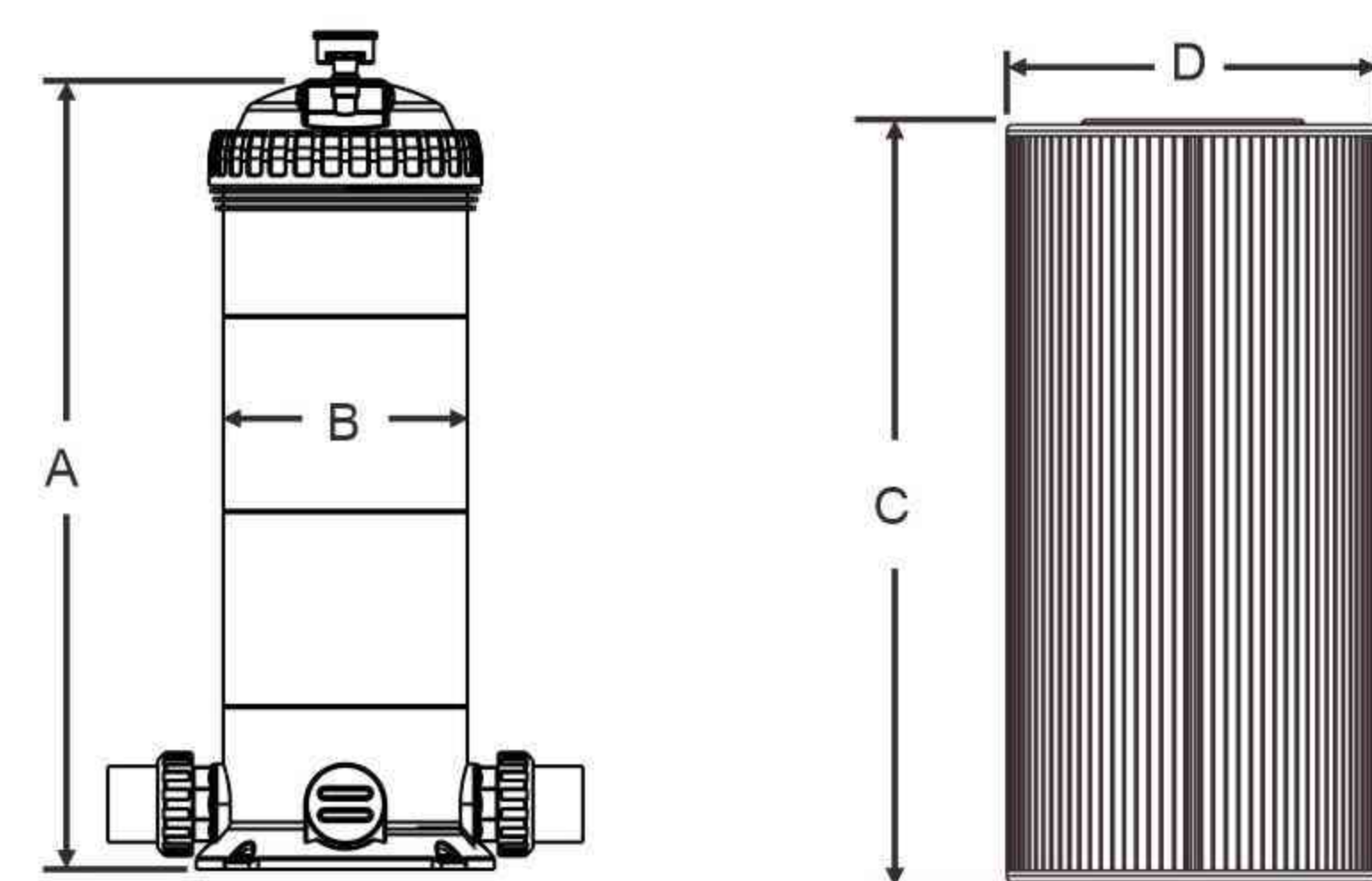


Features:

- Compact and light weight.
- UV resistant tank.
- Heavy duty ring-lock lid allows easy cleaning and replacement of the cartridge element.
- Screw type air bleeder for easy removal of trapped air inside the filter tank.
- High quality oil filled pressure gauge for easy inspection of the operation pressure.
- Application to swimming pool & spa.
- Maximum Working Pressure: 250kpa/36psi/2.5bar
- Maximum Temperature: 40°C (104F)



Cartridge Element



Model	WL-ZXG25	WL-ZXG50	WL-ZXG75	WL-ZXG100	WL-ZXG150	WL-ZXG200
A(mm)	368.3	548.3	728.3	908.3	1088.3	1268.3
B(mm)	225	225	225	225	225	225

Model	WL-ZXG25	WL-ZXG50	WL-ZXG75	WL-ZXG100	WL-ZXG150	WL-ZXG200
C(mm)	184.5	364.5	544.5	724.5	904.5	1091.0
D(mm)	183	183	183	183	183	183

Model	Pipe Size		Filter Area (m ²)	Design Flow		Micron (μm)	Tank Diameter (mm)	Tank Height (mm)
	inches	mm		m ³ /h	lpm			
WL-ZXG25	1.5	50	2.25	5.50	92	≤20	225	368.3
WL-ZXG50	1.5	50	4.63	11.40	190	≤20	225	548.3
WL-ZXG75	1.5	50	7.00	17.00	283	≤20	225	728.3
WL-ZXG100	2.0	63	9.38	22.90	382	≤20	225	908.3
WL-ZXG150	2.0	63	13.70	33.40	556	≤20	225	1088.3
WL-ZXG200	2.0	63	17.24	42.00	681	≤20	225	1268.3

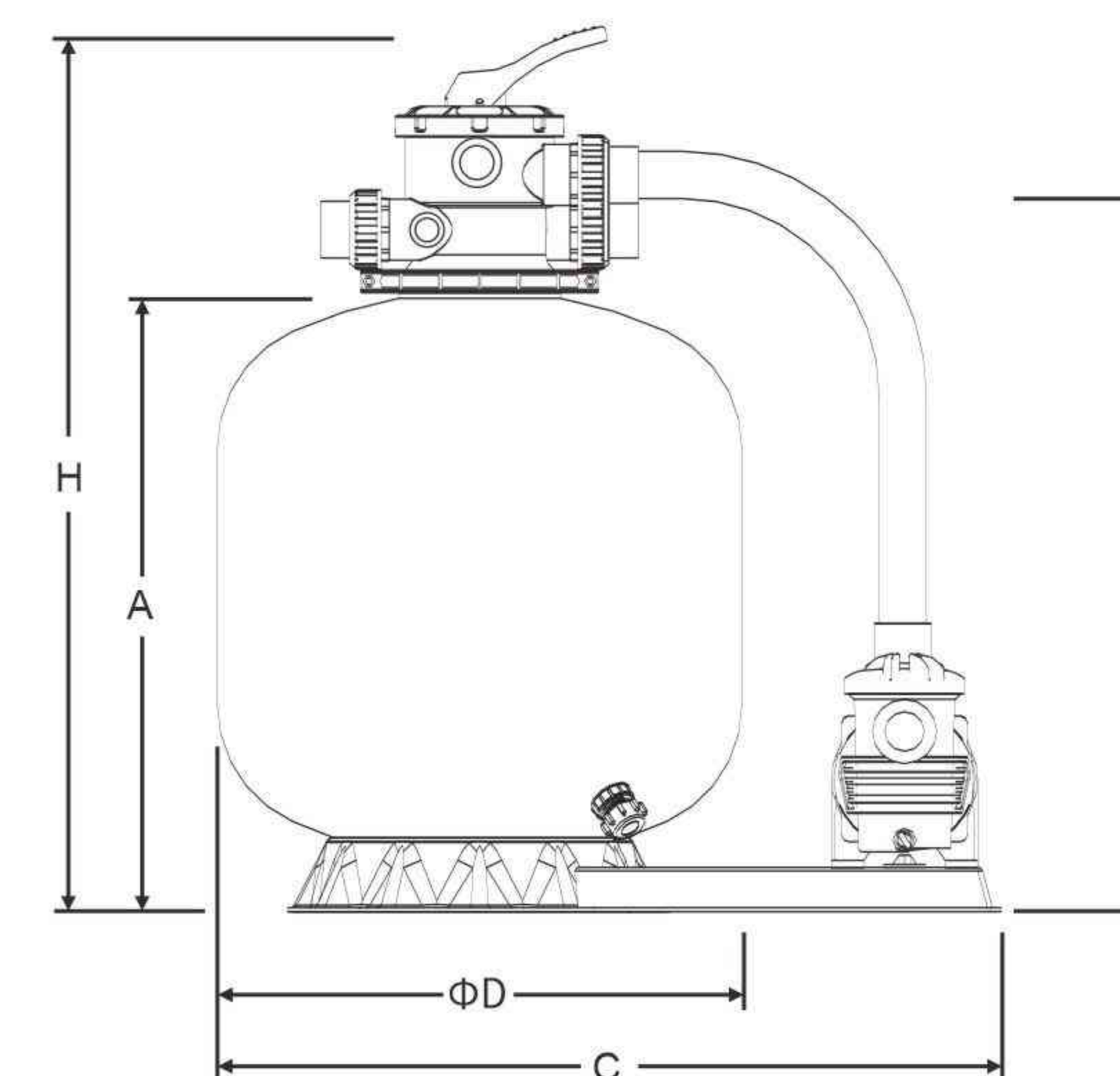
MAXIMUM WORKING PRESSURE: 36psi/2.5bar/cm², MAXIMUM TEMPERATURE ≤40°C

"P-DYG" SERIES FILTER SYSTEM

POOL FILTERS

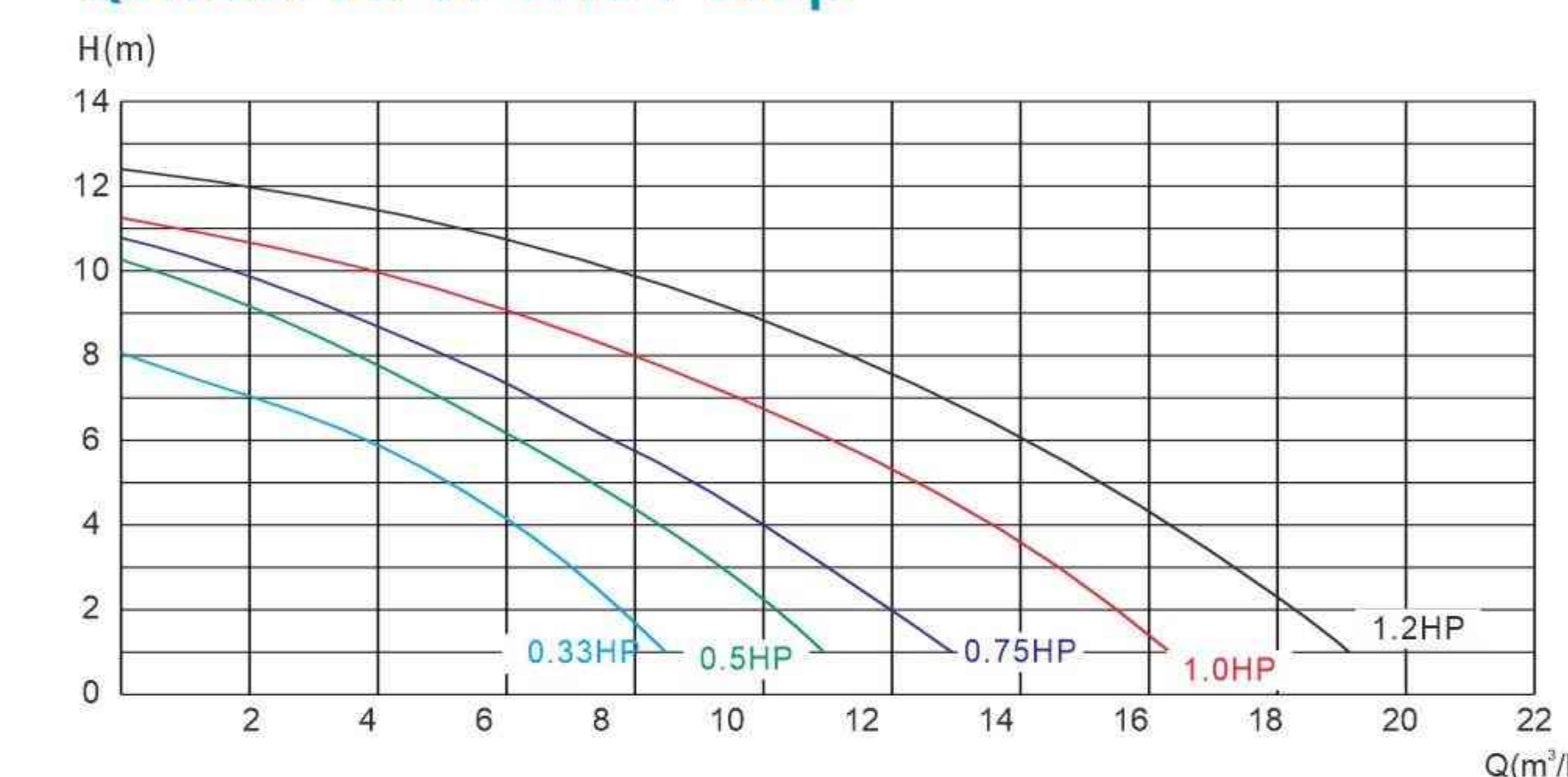
Features:

- Easy to install.
- LAWIM filtration system is equipped with the most optimal combination of our filter and pump.
- Injection-molded mounting base makes filtration system work more stable.
- Unitized thermal plastic filter tank, tough, durable and suitable for many different weather condition.
- Circulation pump with good performance, corrosion-proof and quiet.



ΦD(mm)	350	410	450	535	635
H(mm)	750	770	830	870	970
A(mm)	495	515	575	615	715
B(mm)	545	565	625	665	765
C(mm)	570	570	770	770	770

QH.Curve of The Pump



Model	Pipe Size		Filter Area (m ²)	Design Flow		0.5-0.8mm Sand Weight (kg)	Tank Volume (m ³)	Tank Weight (kg)	Valve Weight (kg)	Matching Pump (HP)
	inches	mm		m ³ /h	lpm					
P-DYG350	1.5	50	0.10	4.50	75	25	0.06	4.0	3	KP256/0.33HP
P-DYG400	1.5	50	0.13	6.50	108	34	0.09	5.0	3	KP256/0.33HP
P-DYG450	1.5	50	0.16	8.00	133	50	0.15	6.5	3	KP356/0.5HP
P-DYG500	1.5	50	0.23	11.50	192	80	0.20	9.2	3	KP756/1.0HP
P-DYG650	1.5	50	0.32	16.00	267	160	0.32	12.1	3	KP856/1.2HP

MAXIMUM WORKING PRESSURE: 36psi/2.5kg/cm²(PLASTIC CLAMP)

MAXIMUM OPERATING WATER TEMPERATURE ≤43°C

"P-DYG" SERIES FILTER SYSTEM

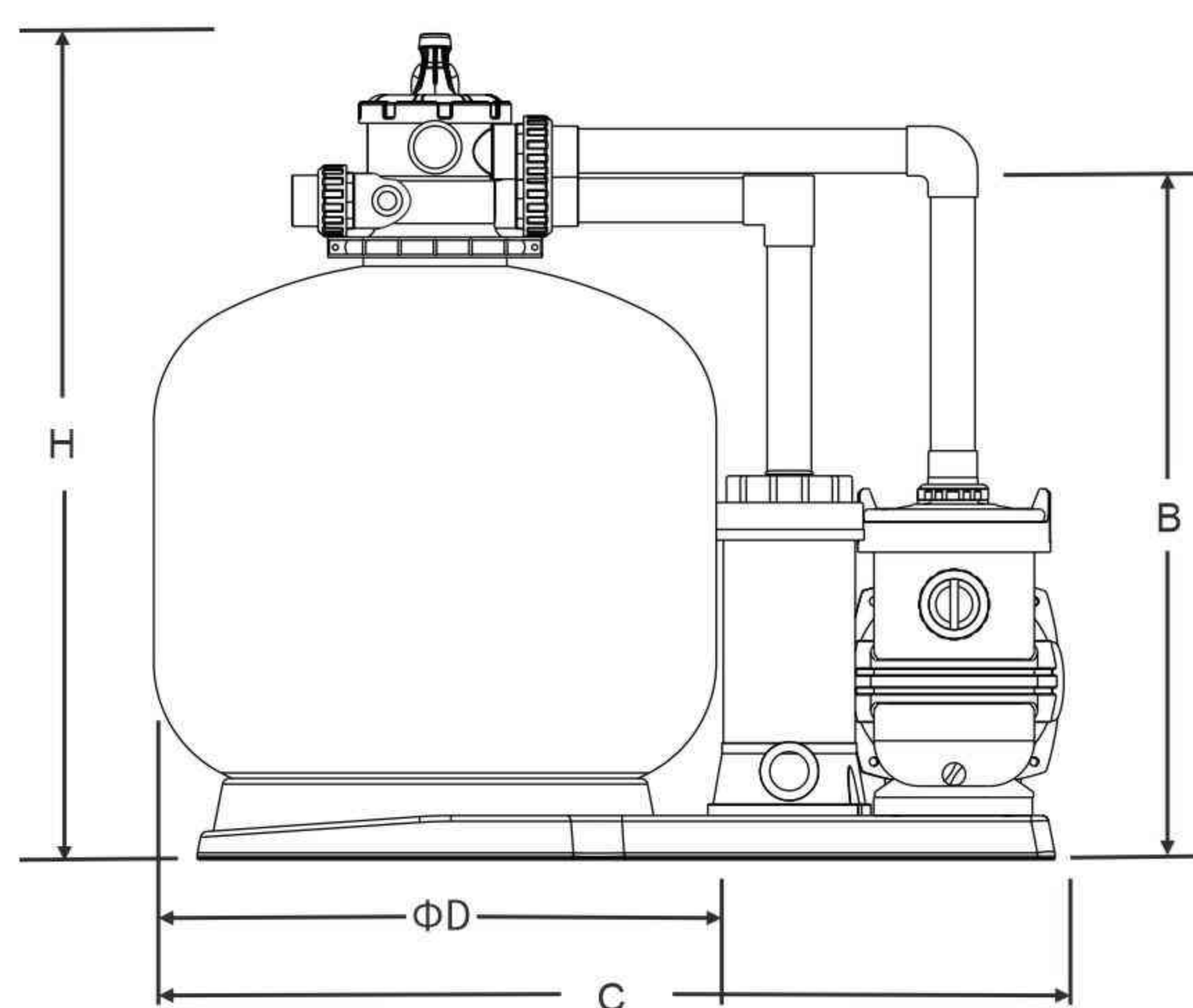
POOL FILTERS



The integrated circulation, filtration and sterilization unit is assembled with LASWIM plastic sand filter, circulation pump and chemical feeder. The unit is a multifunctional system assembled with precision, simple to operate, easy to install. It's the optimal choice for filtering movable and inflated pools.

Features:

- Compact design for easy carriage and quick to install. Contains all the functions of circulation, filtration and sterilization, ready to use.
- The base uses singular forming which makes the base strong and durable. The operation of the unit is stable and reliable.
- The circulation pump has superior performance and extremely quiet during operation.
- The filter uses UV proof food-level PE material to produce that is safe, eco-friendly and anti-corrosive.
- The pill dispenser uses hard tube connection, it is easy to use.
- The whole unit is accurately assembled, it is easy to install and maintain, it is suitable for moving pools and private pools.



ΦD(mm)	635
H(mm)	970
A(mm)	715
B(mm)	765
C(mm)	1020

QH.Curve of The Pump



Model	Pipe Size		Filter Area (m²)	Design Flow		0.5-0.8mm Sand Weight (kg)	Tank Volume (m³)	Tank Weight (kg)	Valve Weight (kg)	Matching Pump (HP)	Chemical feeder
	inches	mm		m³/h	lpm						
WL-P-DYG650YH	1.5	50	0.32	16	267	160	0.32	13	3	HLLF150M	CL-200

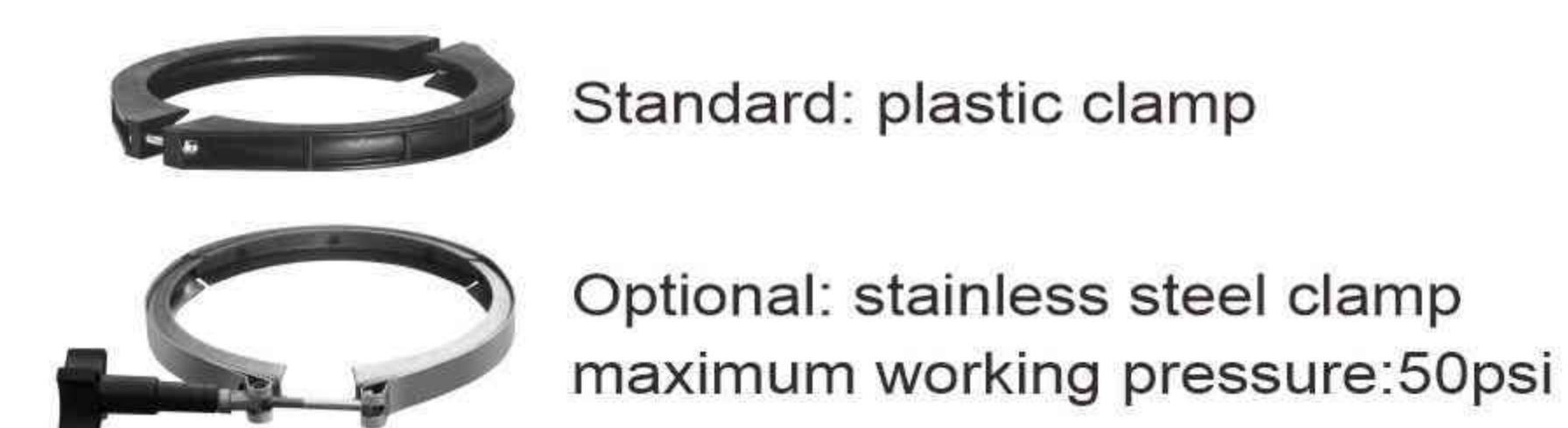
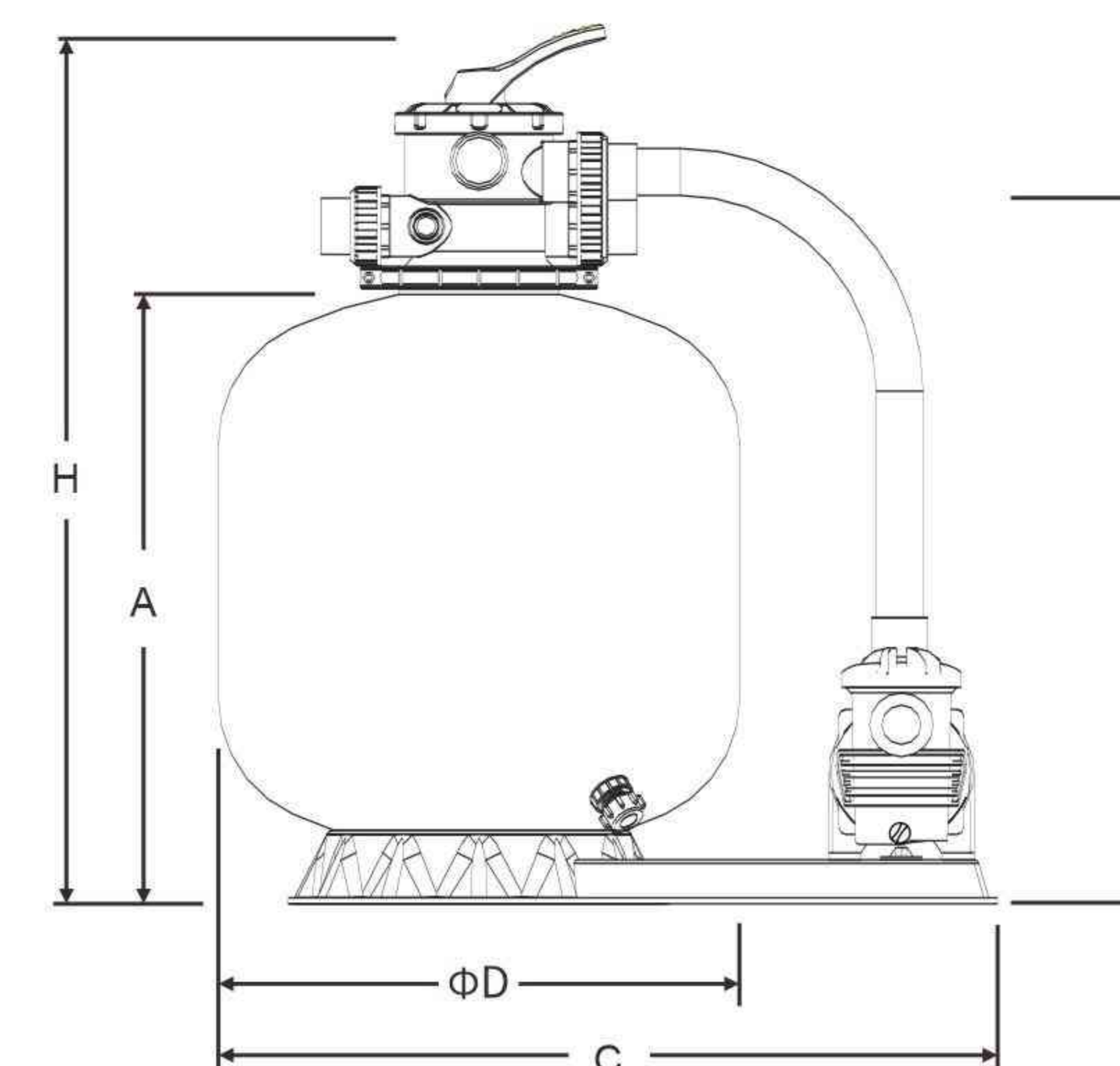
MAXIMUM WORKING PRESSURE: 36psi/2.5kg/cm² (PLASTIC CLAMP) MAXIMUM OPERATING WATER TEMPERATURE ≤ 43°C

"GB" SERIES FILTER SYSTEM

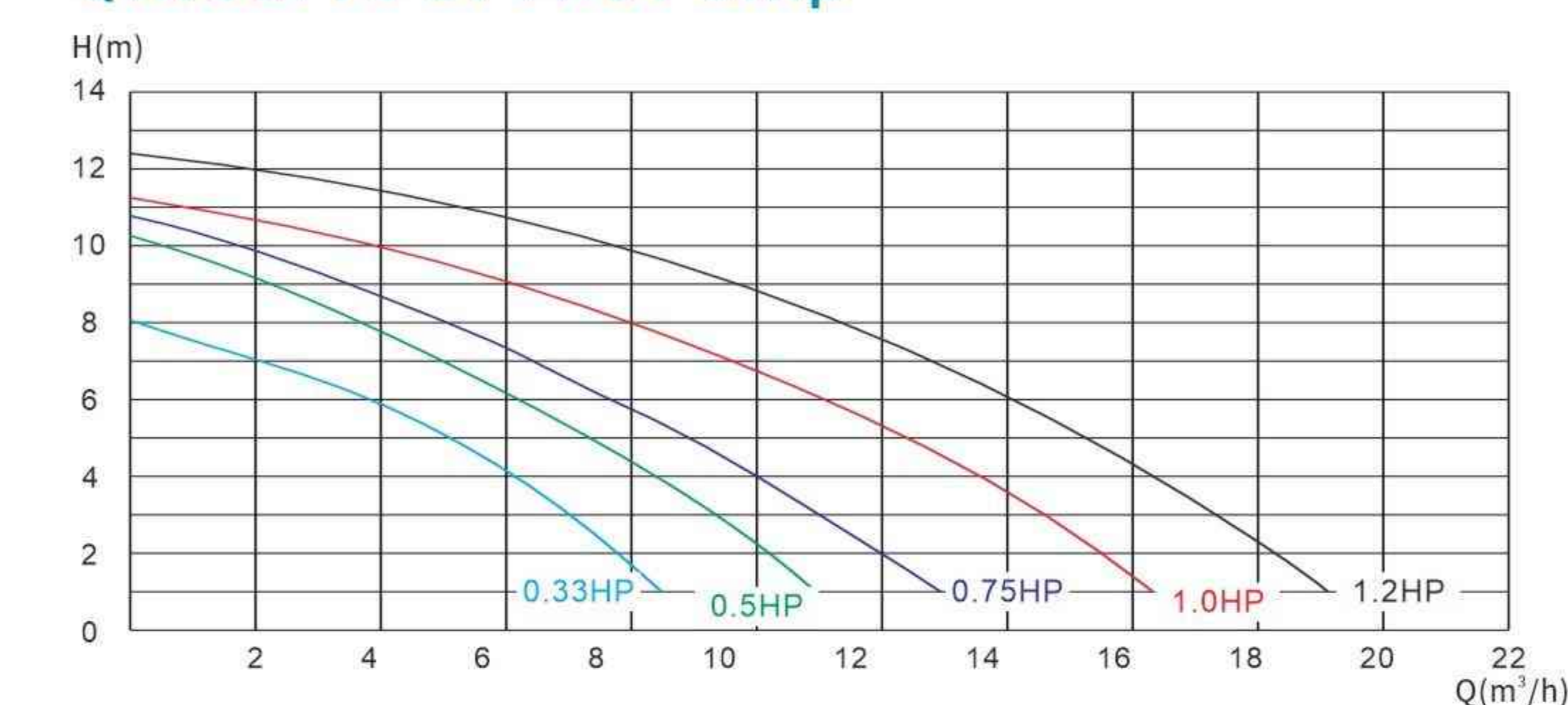
POOL FILTERS

Features:

- Easy to install.
- LASWIM filtration system is equipped with the most optimal combination of our filter and pump.
- Injection-molded mounting base makes filtration system work more stable.
- Unitized thermal plastic inner tank with fiberglass twining around outside, much more strong, durable and suitable for many different weather condition.
- Circulation pump with good performance, corrosion-proof and quiet.



QH.Curve of The Pump



ΦD(mm)	350	410	450	535	635
H(mm)	750	770	830	870	970
A(mm)	495	515	575	615	715
B(mm)	545	565	625	665	765
C(mm)	570	570	770	770	770

Model	Pipe Size		Filter Area (m²)	Design Flow		0.5-0.8mm Sand Weight (kg)	Tank Volume (m³)	Tank Weight (kg)	Valve Weight (kg)	Matching Pump (HP)
	inches	mm		m³/h	lpm					
WL-GB350	1.5	50	0.10	4.50	75	25	0.06	4.5	3	KP256/0.33HP
WL-GB400	1.5	50	0.13	6.50	108	34	0.09	5.5	3	KP256/0.33HP
WL-GB450	1.5	50	0.16	8.00	133	50	0.15	7.0	3	KP356/0.5HP
WL-GB500	1.5	50	0.23	11.50	192	80	0.20	9.8	3	KP756/1.0HP
WL-GB650	1.5	50	0.32	16.00	267	160	0.32	13.0	3	KP856/1.2HP

STANDARD: MAXIMUM WORKING PRESSURE: 36psi/2.5kg/cm² MAXIMUM OPERATING WATER TEMPERATURE ≤ 50°C MAXIMUM TESTING PRESSURE: 58psi/4.0kg/cm²

"RDG" SERIES FILTER SYSTEM

RDG300 series filtration system is specially designed for domestic swimming pool. The component design is easy to assemble, and the installation is simple to operate; A variety of connection sizes can meet different usage scenarios. The RDG300K is equipped with strainer basket, while the RDG300X is not, so you will have more choices.

Features:

- Simple installation and easy operation.
- The sand filter and the water pump are precisely matched, so that the performance of the unit is optimal and efficient.
- The combined base can meet the requirements of different scenarios.
- Unitized thermal plastic filter tank, tough, durable and suitable for many different weather conditions.
- Pump built-in heat protector makes the service life longer.
- The pump meets F insulation class and IPX5 protection requirement.
- The pump has good sealing and anti-corrosion performance, and runs extremely quiet.
- A variety of connection sizes, suitable for 32/38mm flexible hose, 1.5"/50mm pipe.
- The whole unit includes hoses and other necessary accessories.



RDG300K



RDG300X



RDG300K SERIES SAND FILTER SYSTEM

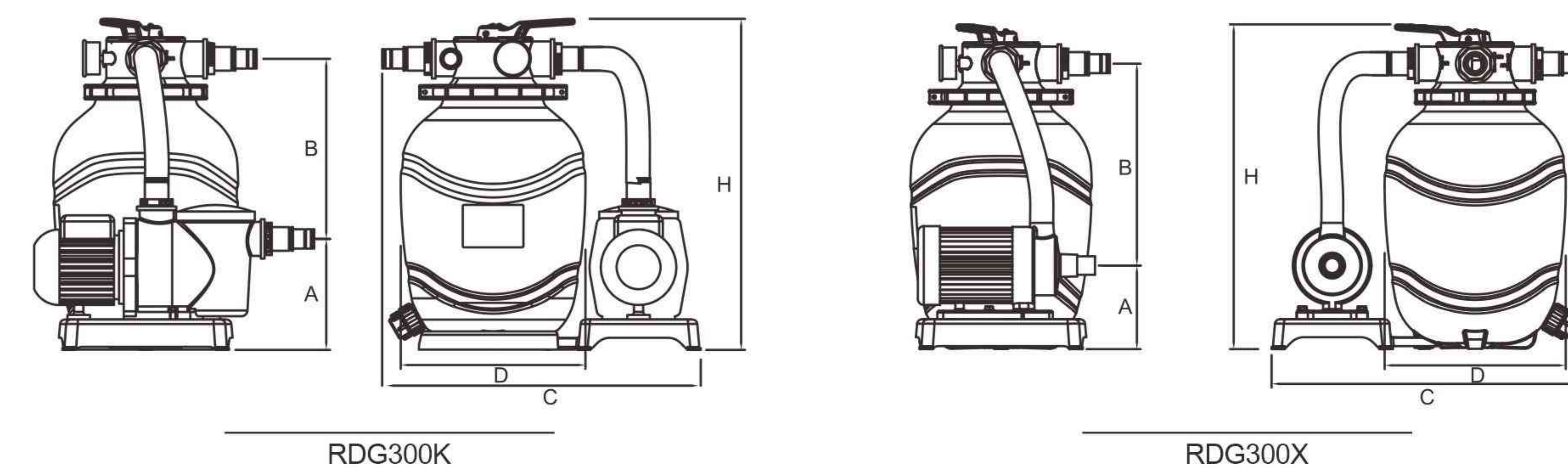
Includes:

- 12" Durable top mount plastic filter tank
- Standard: 4-Way Multiport Valve (Optional: 6-Way Multiport Valve)
- 0.33HP Water Pump (With Strainer Basket)

RDG300X SERIES SAND FILTER SYSTEM

Includes:

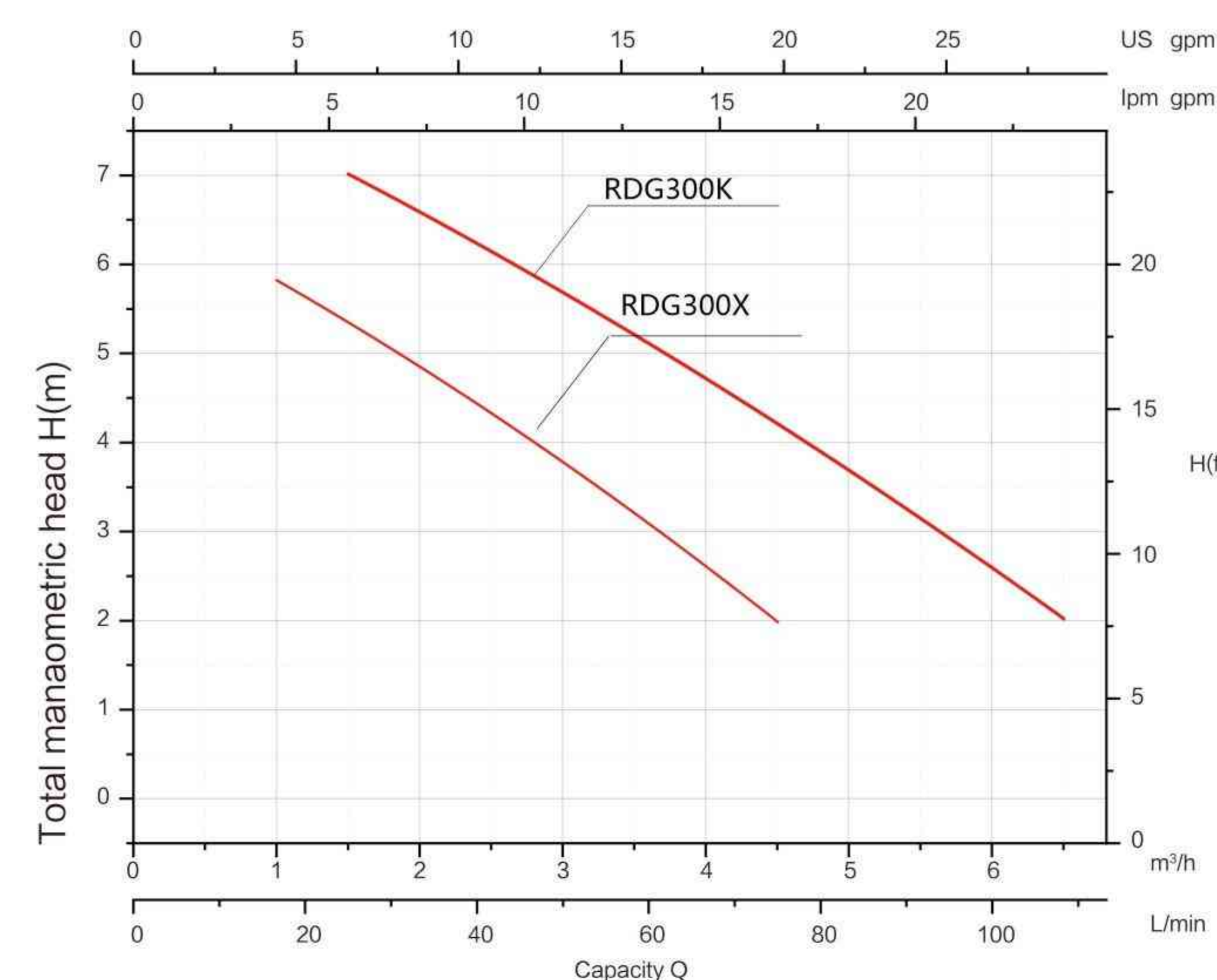
- 12" Durable top mount plastic filter tank
- Standard: 4-Way Multiport Valve (Optional: 6-Way Multiport Valve)
- 0.25HP Water Pump (Without Strainer Basket)



Product Dimensions

Model	RDG300K	RDG300X
A(mm)	183	140
B(mm)	297	340
C(mm)	525	525
D(mm)	305	305
H(mm)	546	546

QH.Curve of the pump



Optional:

6-way multiport valve



Model	Filter size	Pump Power (HP)	Filter Area (m ²)	Flow rate		Pump flow rate		Sand weight 0.5-0.8mm (kg)	Multiport valve	Pipe connection	Filter ball (g)
				m ³ /h	lpm	m ³ /h	lpm				
RDG300K-4W	12"	0.33	0.073	3.65	60.8	8.2	136.67	20	4-way	32/38mm; 1.5"/50mm (optional)	560
RDG300X-4W	12"	0.25	0.073	3.65	60.8	6.5	108.33	20	4-way		
RDG300K-6W	12"	0.33	0.073	3.65	60.8	8.2	136.67	20	6-way		
RDG300X-6W	12"	0.25	0.073	3.65	60.8	6.5	108.33	20	6-way		

REGENERATIVE MEDIA FILTRATION SYSTEM

POOL FILTERS

An All-in-One Premium Water Treatment Solution

The Regenerative Media Filtration System integrates high-precision filtration, intelligent automation, and eco-efficient technology into a single unit. Utilizing diatomaceous earth (DE) precoat membrane filtration, it delivers a filtration accuracy of 1–3µm, capturing over 99% of suspended solids, parasites (e.g., Cryptosporidium), and fine particles. The effluent turbidity remains stable at <0.1 NTU, significantly outperforming traditional sand filters, resulting in safer and cleaner water.



- Save water up to 90%
- Reduce chemical usage by 30%
- Save 40% of the required space
- Reduce maintenance requirements by 20%
- Ensure continuously clear and stable water quality

Product Features

- 
High-Precision Filtration for Ultra-Clean Water
 Uses DE precoat technology to achieve 1–3µm filtration with over 99% particle removal. Effluent turbidity <0.1 NTU, vastly superior to sand filters.
- 
Regenerable Filter Media for Eco-Friendly Operation
 Supports reuse of DE and perlite, reducing replacement frequency and backwash water. Saves costs and promotes sustainability.
- 
Smart Load Adjustment for Enhanced Durability
 Automatically adjusts operation based on water quality and flow, optimizing energy use and extending filter media life.
- 
Water Hammer Protection for System Safety
 The soft starting/stopping technology prevents water hammer impact, protecting equipment and piping, and enhancing system stability and longevity.

- 
Intelligent Control System for Easy Operation
 Integrated PLC system allows one-touch switching between precoat, filtration, and regeneration modes. Fully automated, no manual monitoring required.
- 
Highly Integrated Design for Space Efficiency
 Combines pump, dosing tank, filter, and control system into a compact unit. Takes up only half the space of traditional systems for faster installation.
- 
Ultra-Quiet Performance for Comfortable Environments
 Features a 4-pole low-noise pump and optimized flow design for noise reduction – ideal for high-end hotels and clubs.
- 
Multi-Media Compatibility for Greater Flexibility
 Works with a variety of filter media including DE and perlite, allowing flexible adaptation to different pool and spa water treatment needs.



Equipped with a PLC smart control system, the unit automatically switches between precoat, filtration and regeneration modes, ensuring user-friendly operation and efficient performance.



Compatible with both diatomaceous earth and perlite, the system is highly adaptable for various water conditions. It is ideal for swimming pools, water parks, hot springs and upscale hospitality venues that demand stringent water quality.

POOL FILTERS

Comparison: Traditional Sand Filtration vs. Regenerative Media Filtration System

Comparison Item	Traditional Sand Filtration	Regenerative Media Filtration System
Water Quality	Less than <1 NTU	Stable and clear, turbidity <0.1 NTU
Filter Media Options	Silica sand, glass media	Compatible with diatomaceous earth, perlite, and other fine media
Backwash Frequency	1–2 times per week, lasting 6–7 minutes	Once every 2 weeks, lasting 1–2 minutes
Backwash Intensity	50 m/h	5 m/h
Water Wastage	High water consumption during backwash	Reduces backwash water by 90%
Media Regeneration	Not supported	Reusable filter media supported
Maintenance Mode	Primarily manual operation	One-button operation, fully automatic
Footprint	Large footprint	Integrated design, reduces space usage by 40%

Technical Specifications

Model	Filter Diameter	Filter Area (m ²)	Flow Rate (m ³ /h)	Pump Power (kW)	Operating Power (kW)			Inlet Size	Outlet Size	Drain Size	Product Dimensions (mm)
					Inverter	Energy Saving Mode	Backwash Mode				
WL-HPF80	Φ650	15.3	46-77	7.5	5.5	4.5	7.5	DN200	DN125	DN80	1900×1900×2450
WL-HPF120	Φ800	23.65	71-118	11.0	8.0	6.6	11.0	DN250	DN150	DN100	2200×2100×2480
WL-HPF160	Φ900	30.47	91-152	15.0	10.9	9.0	15.0	DN250	DN150	DN125	2200×2200×2590
WL-HPF200	Φ1000	38.06	114-190	15.0	12.9	9.0	15.0	DN300	DN200	DN150	2700×2500×2730
WL-HPF280	Φ1200	54.75	173-274	22.0	18.9	13.2	22.0	DN300	DN200	DN150	2800×2600×2810
WL-HPF380	Φ1400	75.24	226-376	30.0	25.7	18.0	30.0	DN350	DN250	DN200	3450×3000×2985

COMMERCIAL DEEP BED SAND FILTER

POOL FILTERS

POOL FILTERS

It is made of high quality fiberglass which is chemical and sunlight resistance, and can be installed out-of-doors. Side Mount, easily for operating. It also can be feeded and mixed different filtrate medium (Such as: Zeolite, Sand and Active carbon) to make the water more clear. It is best choice for residential area and public water.

This filter can be with flange or valve
With Manhole, Sight glass, Collector arm.
Optional : Nozzle plate



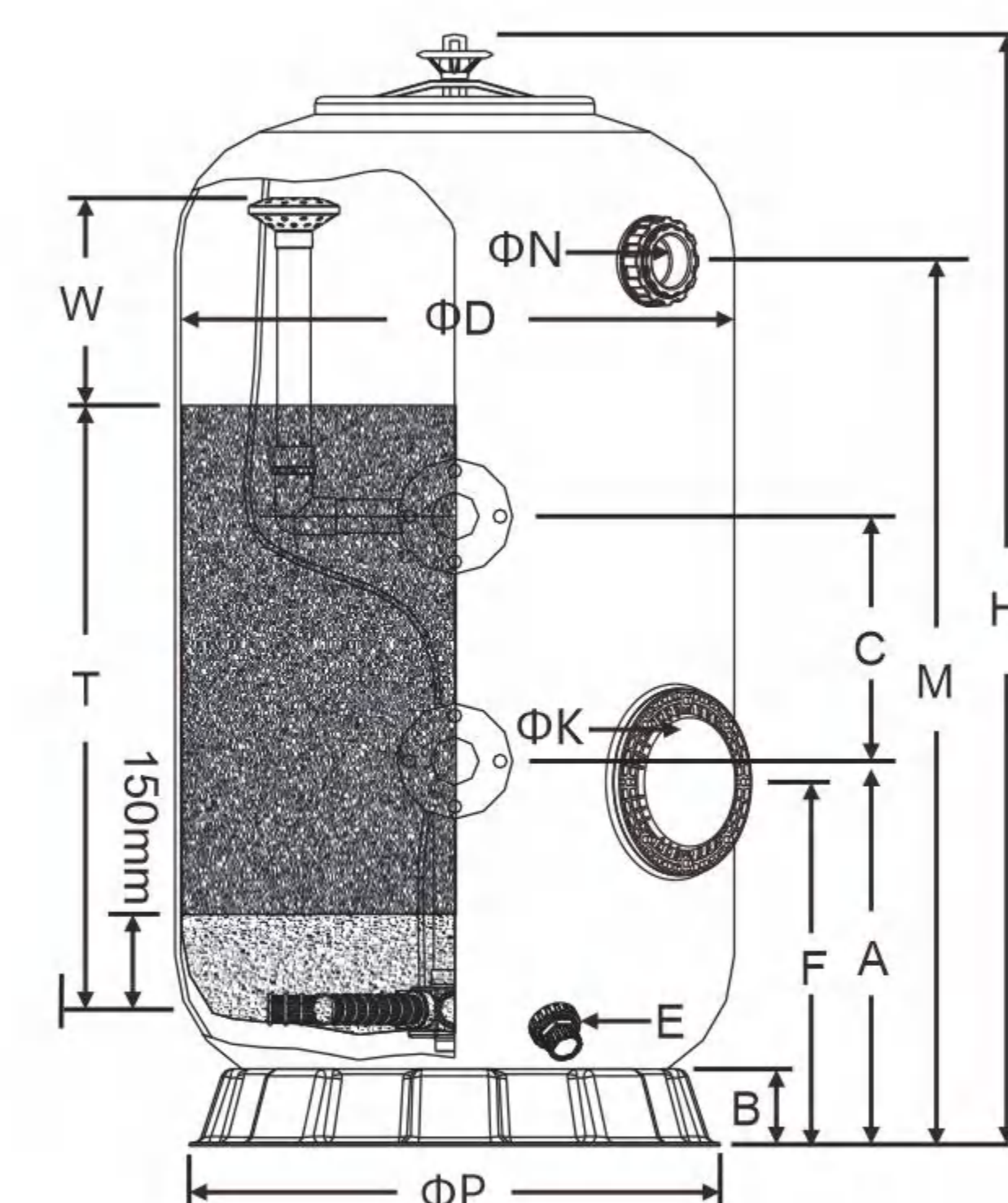
Collector Arms

Nozzle Plate

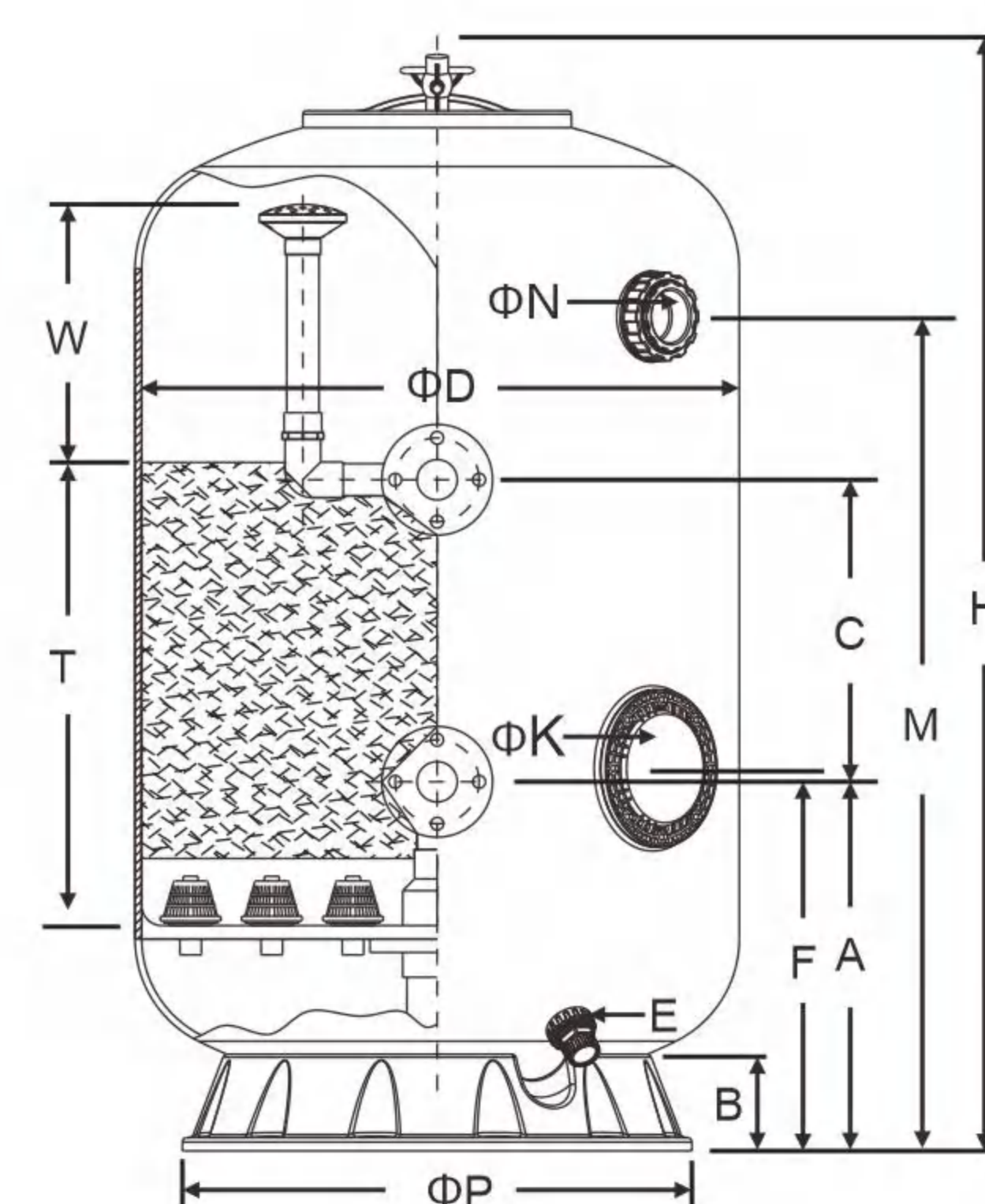


With Flange

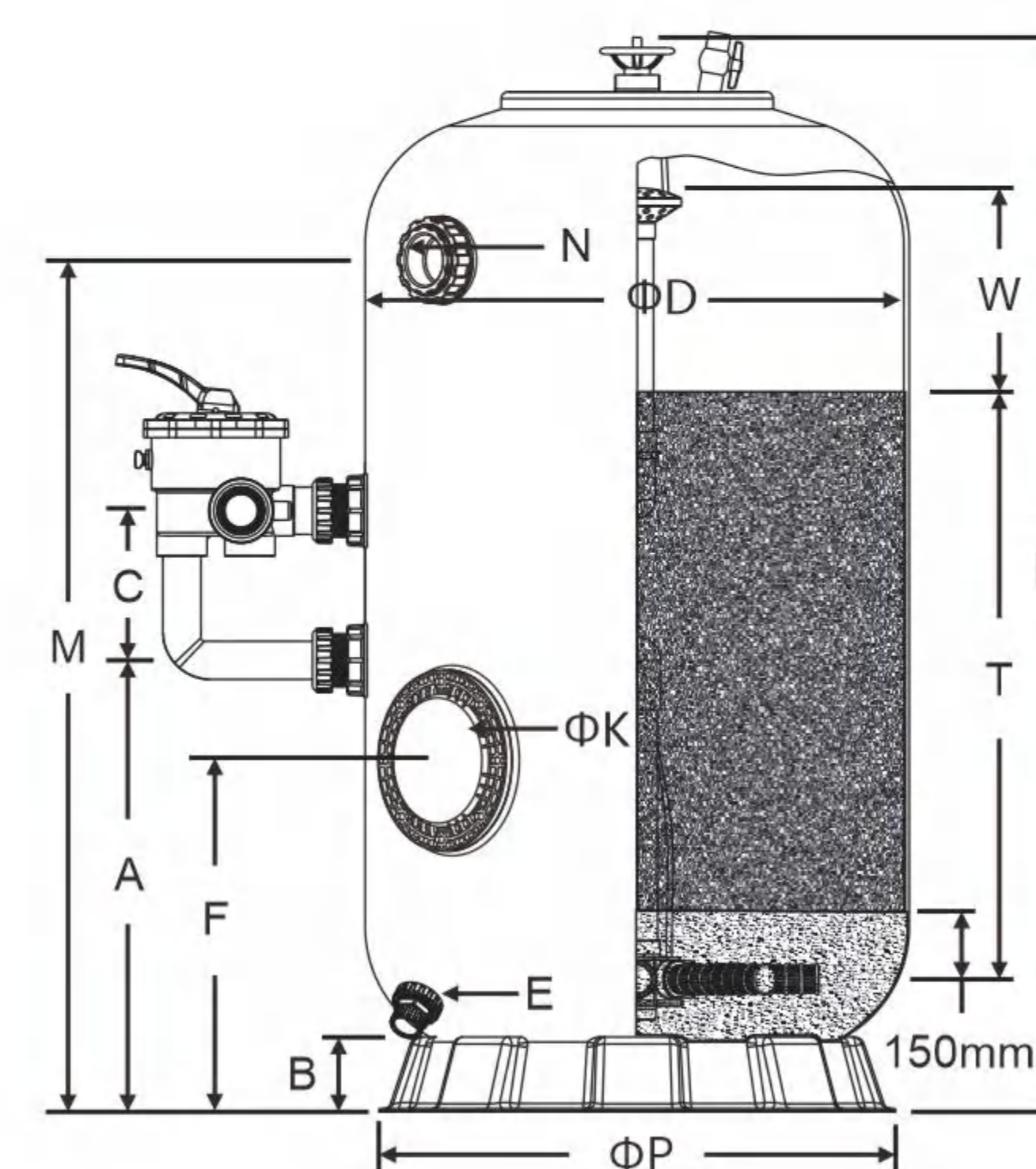
With Valve



With Lateral



With Nozzle Plate



With Valve

Model	15800	15900	151000	151200	20800	20900	201000	201200
D (mm)	800	900	1000	1200	800	900	1000	1200
H (mm)	1600	1600	1600	1600	2100	2100	2100	2100
A (mm)	550	550	550	650	800	800	800	800
B (mm)	150	150	150	180	150	150	150	180
C (mm)	350	350	350	350	350	350	350	350
E (mm)	40	40	40	40	40	40	40	40
F (mm)	520	520	520	600	520	520	520	600
K (mm)	180	180	180	180	180	180	180	180
M (mm)	1120	1120	1120	1120	1600	1600	1600	1600
N (mm)	80	80	80	80	80	80	80	80
P (mm)	790	790	790	1010	790	790	790	1010
T (mm)	800	800	800	800	1250	1250	1250	1250
W (mm)	350	350	350	350	400	400	400	400

Model	15800	15900	151000	151200	20800	20900	201000	201200
D (mm)	800	900	1000	1200	800	900	1000	1200
H (mm)	1600	1600	1600	1600	2100	2100	2100	2100
A (mm)	550	550	550	650	800	800	800	800
B (mm)	150	150	150	180	150	150	150	180
C (mm)	350	350	350	350	350	350	350	350
E (mm)	40	40	40	40	40	40	40	40
F (mm)	600	600	600	680	600	600	600	680
M (mm)	1120	1120	1120	1120	1600	1600	1600	1600
K (mm)	180	180	180	180	180	180	180	180
N (mm)	80	80	80	80	80	80	80	80
P (mm)	790	790	790	790	790	790	790	1010
T (mm)	800	800	800	800	1250	1250	1250	1250
W (mm)	160	160	160	160	160	160	160	160

Model	15800	15900	151000	151200	20800	20900	201000	201200
D (mm)	800	900	1000	1200	800	900	1000	1200
H (mm)	1600	1600	1600	1600	2100	2100	2100	2100
A (mm)	550	550	550	650	800	800	800	800
B (mm)	120	120	145	165	120	120	145	165
C (mm)	220	220	220	220	220	220	220	220
E (mm)	40	40	40	40	40	40	40	40
F (mm)	520	520	520	600	520	520	520	600
K (mm)	180	180	180	180	180	180	180	180
M (mm)	1120	1120	1120	1120	1600	1600	1600	1600
N (mm)	80	80	80	80	80	80	80	80
P (mm)	790	790	790	980	790	790	790	1010
T (mm)	800	800	800	800	1250	1250	1250	1250
W (mm)	350	350	350	350	400	400	400	400

Model	Connections		Filter Area (m ²)	Design Flow		Sand Weight 0.5-0.8mm(kg)	Gravel Weight 1-2mm(kg)	Tank Diameter (mm)	Filter Height (mm)
	inches	mm		m ³ /h	lpm				
WL-ECG15800V	2	63	0.50	20.0	333	455	170	800	1600
WL-ECG15900V	2	63	0.64	25.6	426	585	230	900	1600
WL-ECG151000V	2	63	0.79	31.6	526	720	270	1000	1600
WL-ECG151200V	2	63	1.13	40.0	666	1030	450	1200	1600
WL-ECG151200V-2.5	2.5	75	1.13	45.2	753	1030	450	1200	1600
WL-ECG20800V	2	63	0.50	15.0	250	770	170	800	2100
WL-ECG20900V	2	63	0.64	19.0	317	990	230	900	2100
WL-ECG201000V	2	63	0.79	23.7	395	1220	270	1000	2100
WL-ECG201200V	2	63	1.13	30.0	500	1740	450	1200	2100
WL-ECG201200V-2.5	2.5	75	1.13	33.9	565	1740	450	1200	2100

With Flange

Model	Connections		Filter Area (m ²)	Design Flow		Sand Weight 0.5-0.8mm(kg)	Gravel Weight 1-2mm(kg)	Tank Diameter (mm)	Filter Height (mm)
	inches	mm		m ³ /h	lpm				
WL-ECG15800F	2	63	0.50	20.0	333	455	170	800	1600
WL-ECG15900F	2	63	0.64	25.6	426	585	230	900	1600
WL-ECG151000F	2	63	0.79	31.6	526	720	270	1000	1600
WL-ECG151200F	3	90	1.13	45.2	753	1030	450	1200	1600
WL-ECG151400F	3	90	1.54	61.6	1026	1030	450	1400	1600
WL-ECG20800F	2	63	0.50	15.0	250	770	170	800	2100
WL-ECG20900F	2	63	0.64	19.0	317	990	230	900	2100
WL-ECG201000F	2	63	0.79	23.7	395	1220	270	1000	2100
WL-ECG201200F	3	90	1.13	33.9	565	1740	450	1200	2100
WL-ECG201400F	3	90	1.54	46.2	770	2100	500	1400	2100

With Nozzle

Model	Connections		Filter Area (m ²)	Design Flow		Sand Weight 0.5-0.8mm(kg)	Gravel Weight 1-2mm(kg)	Tank Diameter (mm)	Filter Height (mm)
	inches	mm		m ³ /h	lpm				
WL-ECG15800	2	63	0.50	20.0	333	455	110	800	1600
WL-ECG15900	2	63	0.64	25.6	426	585	145	900	1600
WL-ECG151000	2	63	0.79	31.6	526	720	175	1000	1600
WL-ECG151200	3	90	1.13	45.2	753	1030	255	1200	1600
WL-ECG151400	3	90	1.54	61.6	1026	1100	320	1400	1600
WL-ECG20800	2	63	0.50	15.0	250	770	110	800	2100
WL-ECG20900	2	63	0.64	19.0	317	990	145	900	2100
WL-ECG201000	2	63	0.79	23.7	395	1220	175	1000	2100
WL-ECG201200	3	90	1.13	33.9	565	1740	255	1200	2100
WL-ECG201400	3	90	1.54	46.2	770	2100	320	1400	2100

STANDARD: MAXIMUM WORKING PRESSURE: 36psi/2.5kg/cm² MAXIMUM OPERATING WATER TEMPERATURE: ≤50°C MAXIMUM TESTING PRESSURE: 58psi/4.0kg/cm²
 OPTIONAL: MAXIMUM WORKING PRESSURE: 58psi/4.0kg/cm² MAXIMUM OPERATING WATER TEMPERATURE: ≤50°C MAXIMUM TESTING PRESSURE: 86psi/6.0kg/cm²

DEEP BED SAND FILTERS

POOL FILTERS



WL-DDG13400~WL-DDG15700

WL-BDG10400~WL-BDG13700

High quality and high performance are aesthetically designed for water treatment.

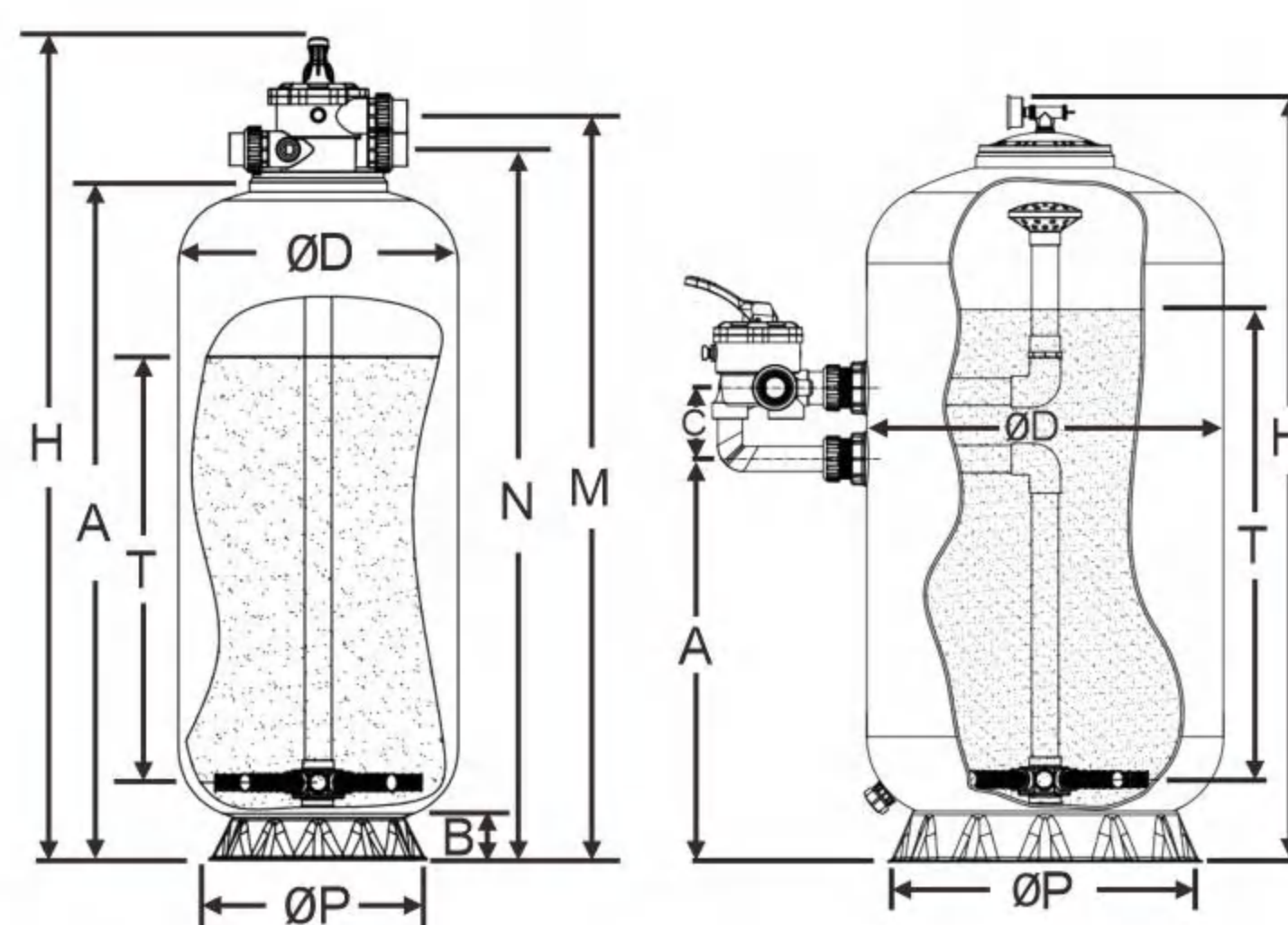
High density fiberglass sand filters are constructed by the latest engineering technology. The improvement of flow ability provides an ultra-pure water filtration. The fiberglass winding design allows the filter to have extra strength and resistance to chemical and corrosives. They're the most recommendable equipment for the application of water treatment.

WL-DDG13400~WL-DDG15700

ΦD (mm)	400	450	530	630	700	400	450	530	630	700
H (mm)	1300	1300	1300	1300	1300	1500	1500	1500	1500	1500
A (mm)	1062	1062	1062	1062	1062	1262	1262	1262	1262	1262
B (mm)	75	75	75	95	95	75	75	75	95	95
M (mm)	1174	1174	1174	1174	1174	1374	1374	1374	1374	1374
N (mm)	1115	1115	1115	1115	1115	1315	1315	1315	1315	1315
ΦP (mm)	390	390	390	565	565	390	390	390	565	565
T (mm)	650	650	650	630	630	850	850	850	830	830

WL-BDG10400~WL-BDG13700

ΦD (mm)	400	450	530	630	700	400	450	530	630	700
H (mm)	1160	1160	1160	1160	1160	1360	1360	1360	1360	1360
A (mm)	660	660	660	660	660	860	860	860	860	860
C (mm)	125	125	125	125	125	125	125	125	125	125
ΦP (mm)	390	390	390	565	565	390	390	390	565	565
T (mm)	650	650	650	650	650	850	850	850	850	850



WL-DDG13400~WL-DDG15900

WL-BDG10400~WL-BDG13700

Model	Pipe Size		Filter Area (m ²)	Design Flow		0.5-0.8mm Sand Weight (kg)	Tank Diameter (mm)	Filter Height (mm)
	inches	mm		m ³ /h	lpm			
WL-DDG13400	1.5	50	0.13	4.5	75	120	400	1300
WL-DDG13450	1.5	50	0.16	5.6	93	150	450	1300
WL-DDG13500	1.5	50	0.20	7.0	117	185	530	1300
WL-DDG13600	1.5	50	0.32	11.2	187	245	630	1300
WL-DDG13700	1.5	50	0.37	13.0	217	345	700	1300
WL-DDG15400	1.5	50	0.13	3.9	65	150	400	1500
WL-DDG15450	1.5	50	0.16	4.8	80	195	450	1500
WL-DDG15500	1.5	50	0.20	6.0	100	240	530	1500
WL-DDG15600	1.5	50	0.32	9.6	160	325	630	1500
WL-DDG15700	1.5	50	0.37	11.0	183	400	700	1500
WL-DDG15800	2.0	63	0.50	15.0	250	500	800	1500
WL-DDG15900	2.0	63	0.64	19.2	320	590	900	1500

Model	Pipe Size		Filter Area (m ²)	Design Flow		0.5-0.8mm Sand Weight (kg)	Tank Diameter (mm)	Filter Height (mm)
	inches	mm		m ³ /h	lpm			
WL-BDG10400	1.5	50	0.13	4.5	75	110	400	1160
WL-BDG10450	1.5	50	0.16	5.6	93	140	450	1160
WL-BDG10500	1.5	50	0.20	7.0	117	170	500	1160
WL-BDG10600	1.5	50	0.32	11.2	187	230	630	1160
WL-BDG10700	1.5	50	0.37	13.0	217	325	700	1160
WL-BDG13400	1.5	50	0.13	3.9	65	140	400	1360
WL-BDG13450	1.5	50	0.16	4.8	80	185	450	1360
WL-BDG13500	1.5	50	0.20	6.0	100	225	500	1360
WL-BDG13600	1.5	50	0.32	9.6	160	310	630	1360
WL-BDG13700	1.5	50	0.37	11.0	183	430	700	1360

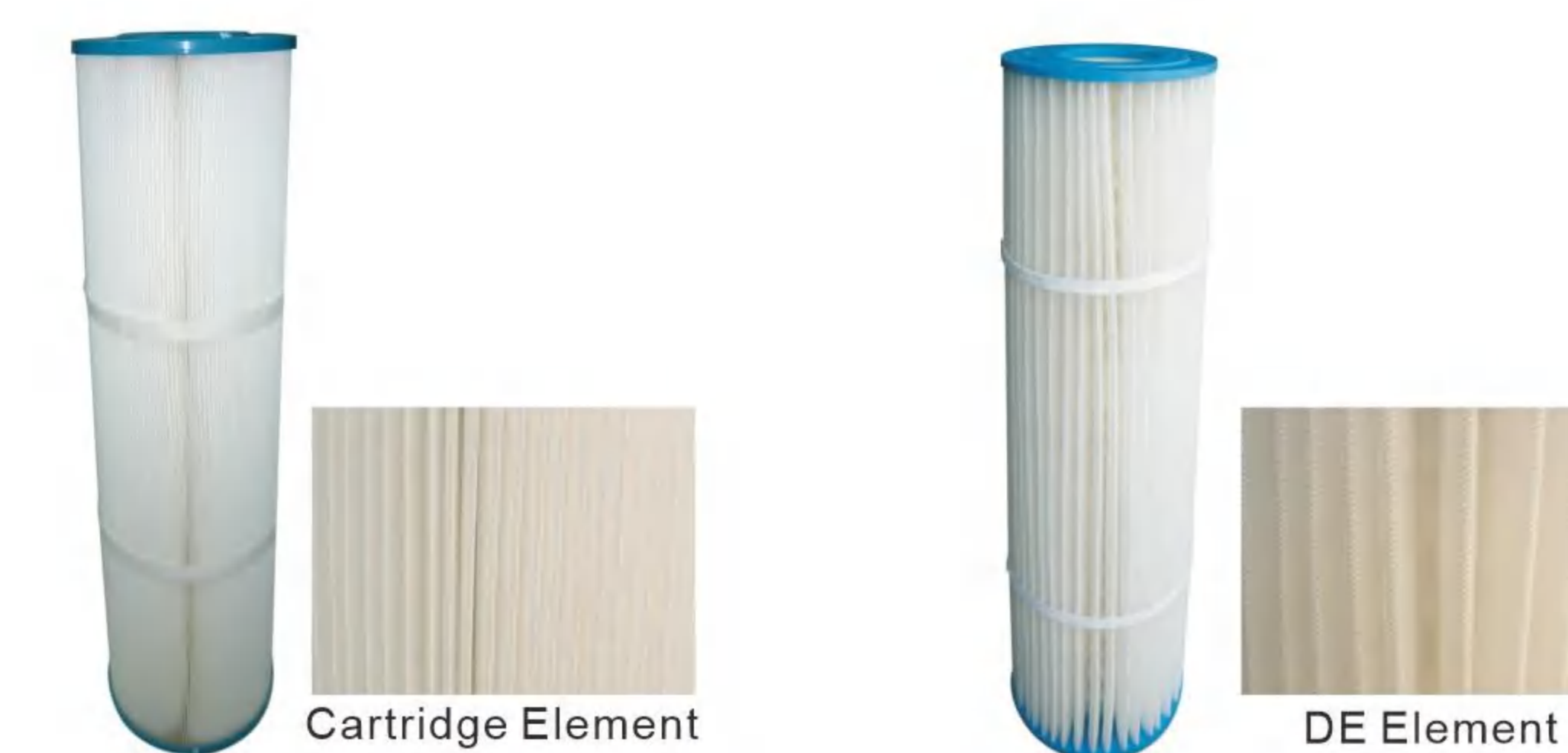
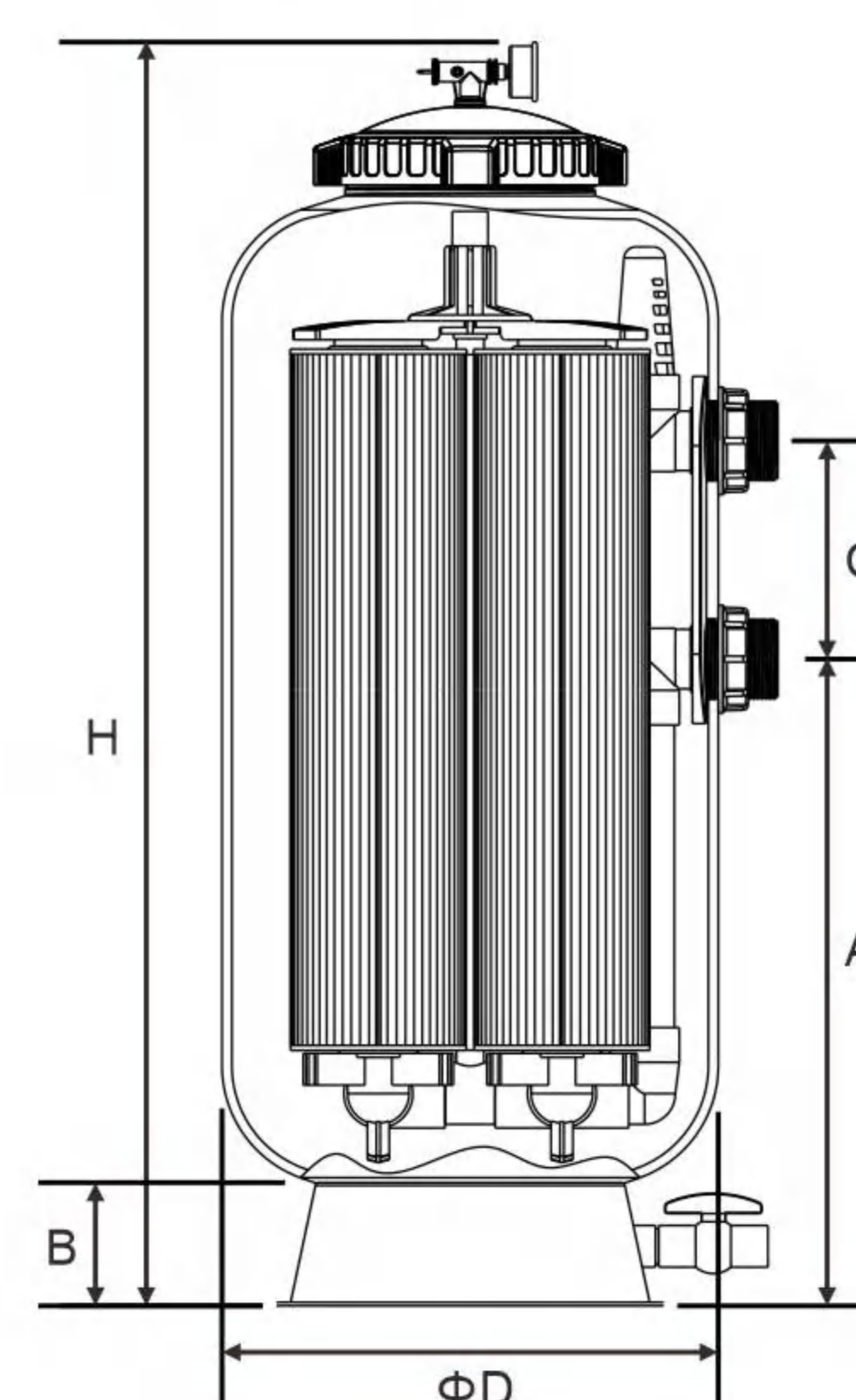
MAXIMUM WORKING PRESSURE: 58psi/4.0bar/cm², MAXIMUM TEMPERATURE ≤50°C, MAXIMUM TESTING PRESSURE: 86psi/6.0bar/cm²

CONVERTIBLE CARTRIDGE & DIATOMACEOUS EARTH FILTER

POOL FILTERS



- UV inhibited filament wound structural fiberglass tanks.
- 2" or 63mm Inlet/Outlet PVC unions.
- Either 6 way Multiport or Push-Pull valve available for DE models.
- Easy removal or installation of cartridges or DE elements.
- Cartridges in 20.9, 23.2, 35.3, 41.8 Sq.m² sizes, fully convertible to DE.
- DE elements in 3.25, 4.18, 6.97, 8.39 Sq.m² sizes, fully convertible to Cartridges.
- Large clear lock ring sealed lid for easy interior viewing and media installation/removal.
- Exclusive integral Inlet/Outlet manifold eliminates conventional bulkhead fittings.
- Hose bib drain valve allows removal of tank debris away from mechanical area.



Model	BZX225	BZX250	BZX350	BZX450	BZX520
	BDE35	BDE45	BDE75	BDE90	
ΦD(mm)	500	500	500	500	500
H(mm)	965	965	1270	1270	1270
A(mm)	341	341	646	646	646
B(mm)	125	125	125	125	125
C(mm)	220	220	220	220	220

Model	Pipe Size		Filtration area		Design Flow		Diatomite weight (kg)	Tank Diameter (mm)	Filter Height (mm)
	inches	mm	m ²	Ft ²	m ³ /h	lpm			
BZX225	2	63	20.9	225	19.08	318	-	500	965
BZX250	2	63	23.2	250	21.35	356	-	500	965
BZX350	2	63	35.3	380	32.30	538	-	500	1270
BZX450	2	63	41.8	450	34.07	568	-	500	1270
BZX520	2	63	44.8	482	36.50	608	-	500	1270
BDE35	2	63	3.25	35	15.90	265	1.59	500	965
BDE45	2	63	4.18	45	20.44	341	2.04	500	965
BDE75	2	63	6.97	75	34.07	568	3.40	500	1270
BDE90	2	63	8.36	90	41.80	696	4.08	500	1270

MAXIMUM WORKING PRESSURE: 36psi/2.5bar/cm², MAXIMUM TEMPERATURE ≤50°C, MAXIMUM TESTING PRESSURE: 58psi/4.0bar/cm²

COMMERCIAL HI-RATE SAND FILTERS

POOL FILTERS

Superior engineering and a company-wide commitment to customer satisfaction have produced a series of vertical filters that are built to be tougher, longer lasting and better performing than any other competing vertical commercial hi-rate sand filter.

Constructed of polyester resin and non-corrosive fiberglass filament winding, all internal components and connections are injection molded PVC. UV-resistance surface allows working under sunshine.



Cover Lid



Collector Arms



Pressure Control Manometer Panel

Optional: Sight glass, manhole, nozzle plate.



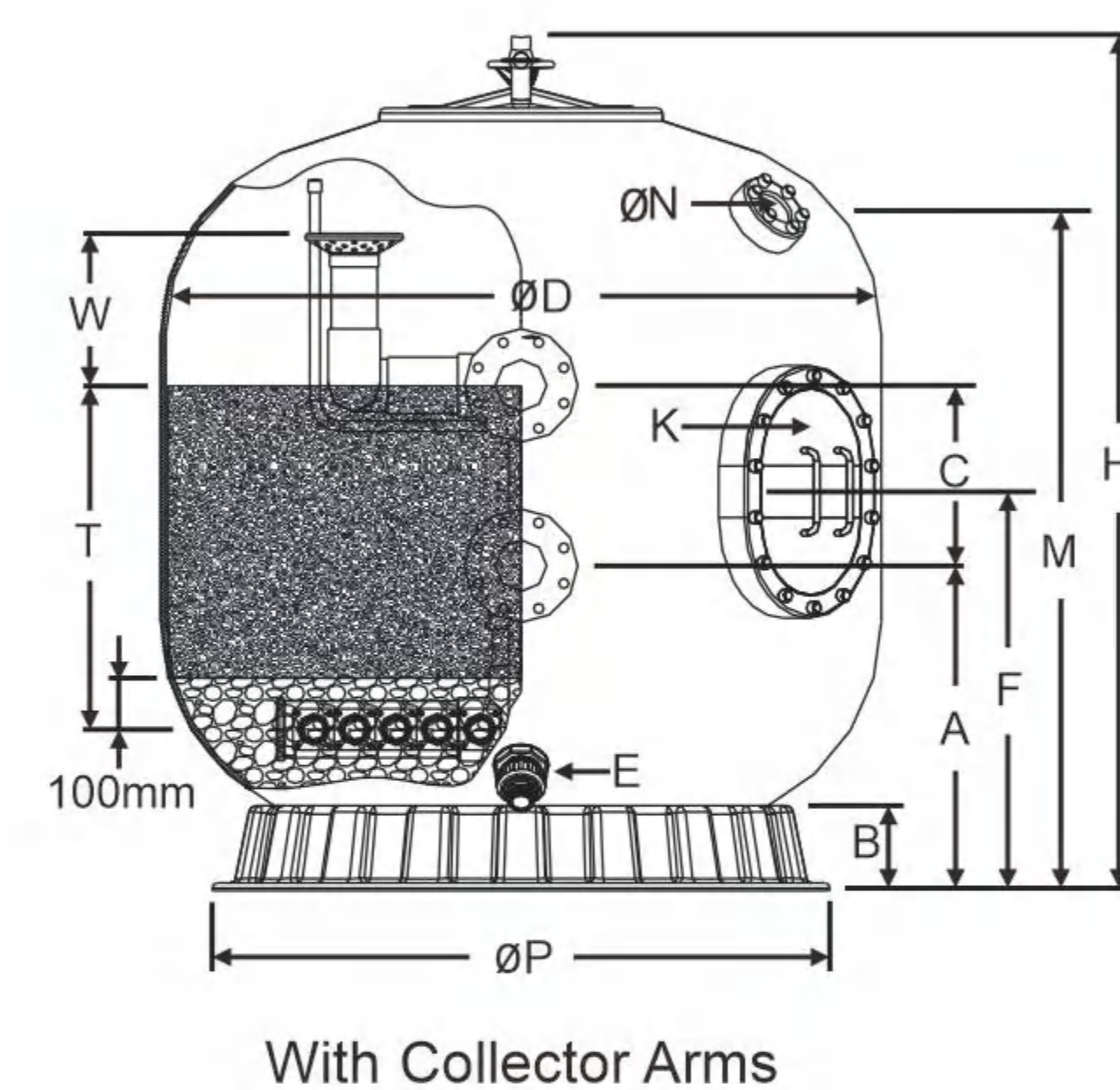
Sight Glass



Manhole

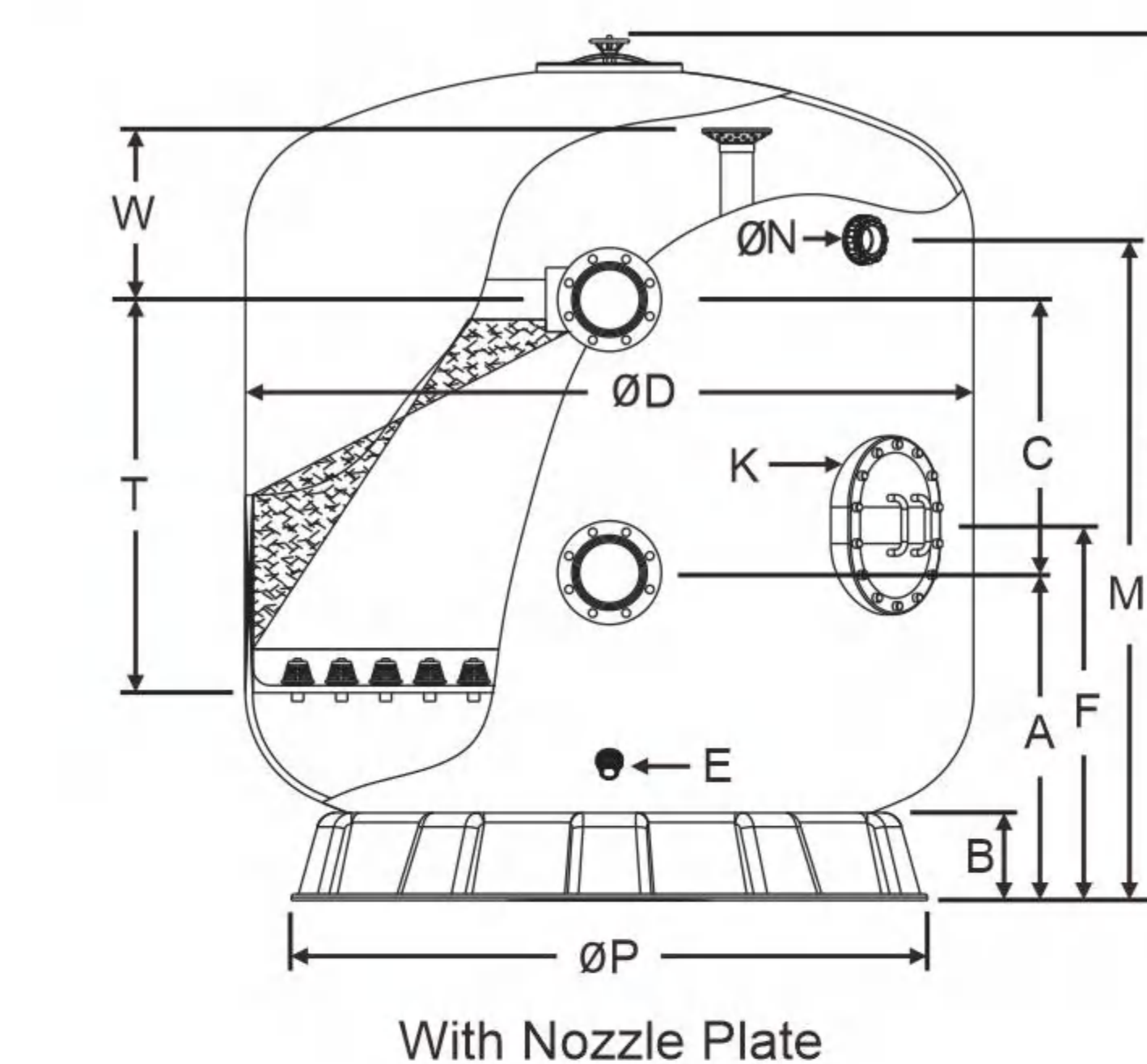


Nozzle Plate



D (mm)	1200	1400	1600	1800	2000	2200	2300	2350	2500
H (mm)	1420	1670	1750	1950	2140	2350	2350	2350	2450
A (mm)	560	650	680	730	800	900	940	940	960
B (mm)	165	165	215	215	240	240	240	240	240
C (mm)	340	350	450	550	550	600	600	600	600
E (mm)	60	60	60	60	60	60	60	60	60
F (mm)	740	800	875	910	1050	1070	1070	1070	1100
K (mm)	180x180	400x300	400x300	400x300	400x300	400x300	400x300	400x300	400x300
M (mm)	1150	1250	1450	1650	1700	1750	1800	1800	1900
N (mm)	80	80	80	80	80	80	80	80	80
P (mm)	1010	1215	1450	1610	1800	1800	2010	2010	2010
T (mm)	600	700	800	850	900	1000	1000	1000	1050
W (mm)	300	300	320	320	350	400	400	400	400

Model	Filter Area (m ²)	Flange Connections		Design Flow		0.5-0.8mm Sand Weight (kg)	1-2mm Gravel Weight (kg)	Tank Diameter (mm)	Filter Height (mm)
		inches	de(mm)	m ³ /h	lpm				
WL-CCG1200	1.13	3	90	45	750	750	300	1200	1420
WL-CCG1400	1.54	4	110	61	1016	1200	500	1400	1670
WL-CCG1600	2.01	4	110	80	1333	1850	750	1600	1750
WL-CCG1800	2.54	6	160	101	1683	2500	1050	1800	1950
WL-CCG2000	3.14	6	160	125	2083	3300	1150	2000	2130
WL-CCG2200	3.80	6	160	152	2532	4150	1470	2200	2350
WL-CCG2300	4.15	8	200	166	2766	4900	1600	2300	2350
WL-CCG2500	4.90	8	200	196	3265	6000	2200	2500	2450
WL-CCG3000	7.07	8	200	282	4698	8600	3300	3000	2650



D (mm)	1420	1620	1830	2030	2300	2500
H (mm)	1900	2000	2100	2200	2350	2400
A (mm)	700	810	850	900	940	960
B (mm)	165	215	215	240	240	240
C (mm)	550	550	550	550	600	600
E (mm)	40	40	40	40	40	40
F (mm)	850	900	980	1030	1070	1100
K (mm)	400X300	400X300	400X300	400X300	400X300	400X300
M (mm)	1400	1500	1600	1700	1800	1900
N (mm)	80	80	80	80	80	80
P (mm)	1215	1450	1610	1800	2010	2010
T (mm)	1000	1000	1000	1000	1000	1050
W (mm)	300	320	320	350	400	400

Model	Filter Area (m ²)	Flange Connections		Design Flow		0.5-0.8mm Sand Weight (kg)	1-2mm Gravel Weight (kg)	Tank Diameter (mm)	Filter Height (mm)
		inches	de(mm)	m ³ /h	lpm				
WL-CCG1400	1.54	4	110	61	1016	1800	220	1420	1900
WL-CCG1600	2.01	4	110	80	1333	2300	300	1620	2000
WL-CCG1800	2.54	6	160	101	1683	2900	360	1830	2100
WL-CCG2000	3.14	6	160	125	2083	3600	440	2030	2200
WL-CCG2300	4.15	8	200	166	2766	4800	580	2300	2350
WL-CCG2500	4.90	8	200	196	3265	5700	680	2500	2400
WL-CCG3000	7.07	8	200	282	4698	8250	980	3000	2650

STANDARD: MAXIMUM WORKING PRESSURE: 36psi/2.5kg/cm² MAXIMUM OPERATING WATER TEMPERATURE: ≤50°C MAXIMUM TESTING PRESSURE: 58psi/4.0kg/cm²
 OPTIONAL: MAXIMUM WORKING PRESSURE: 58psi/4.0kg/cm² MAXIMUM OPERATING WATER TEMPERATURE: ≤50°C MAXIMUM TESTING PRESSURE: 86psi/6.0kg/cm²

HORIZONTAL SAND FILTERS

POOL FILTERS

Horizontal sand filters are made of polyester reinforced with fiberglass; they are totally anti-corrosive, and have high mechanical, chemical and thermal resistance, higher quality water is achieved with their greater filtering capacity. Indexes of turbidity and contaminants of the filtered water are reduced due to their increased retention capacity, The time between back washes increases proportionally with the height of the filter bed, meaning there are fewer interruptions in filtration, and lower water consumption, because the number of back washes needed is decreased and there is less erosion of the filtering material.

A horizontal filter is the ideal choice in cases where a great volume of water is to be treated, and in cases which require optimization of the available space, as a single horizontal filter can substitute up to 3 vertical filters of the same diameter simply by increasing its length.



Collector Arms

Top Diffuser

Cover Lid

Sand Drain

Pressure Control Manometer Panel



Φ1200mm											
Model	L Length (mm)	Flow rate (m³/h/m²)	Flange Connections		Design Flow		Filter Area (m²)	0.5-0.8mm Sand Weight (kg)	1-2mm Gravel Weight (kg)	Tank Diameter (mm)	Filter Height (mm)
			inches	de(mm)	m³/h	lpm					
WL-HF121900	1900	20	3"	90	39	650	1.96	1100	430	1200	1390
		30	4"	110	59	983					
		40	6"	160	79	1317					
WL-HF122300	2300	20	4"	110	48	800	2.42	1430	550	1200	1390
		30	6"	160	73	1217					
		40	6"	160	97	1617					
WL-HF122500	2500	20	4"	110	53	883	2.65	1750	700	1200	1390
		30	6"	160	79	1317					
		40	6"	160	106	1767					
WL-HF122700	2700	20	4"	110	57	950	2.87	2080	830	1200	1390
		30	6"	160	86	1433					
		40	6"	160	115	1917					
WL-HF123000	3000	20	4"	110	64	1067	3.21	2330	925	1200	1390
		30	6"	160	96	1600					
		40	6"	160	129	2150					

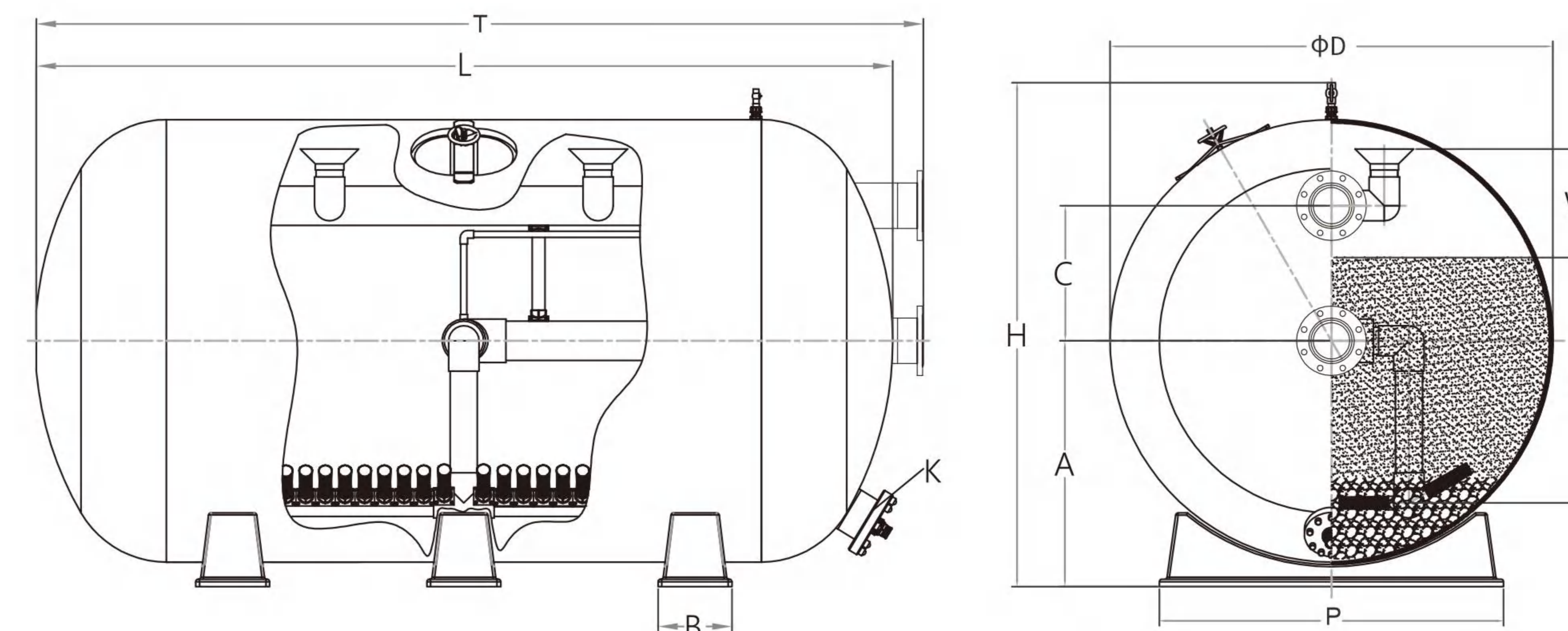
Φ1400mm											
Model	L Length (mm)	Flow rate (m³/h/m²)	Flange Connections		Design Flow		Filter Area (m²)	0.5-0.8mm Sand Weight (kg)	1-2mm Gravel Weight (kg)	Tank Diameter (mm)	Filter Height (mm)
			inches	de(mm)	m³/h	lpm					
WL-HF141900	1900	20	4"	110	45	750	2.23	2000	580	1400	1600
		30	4"	110	67	1117					
		40	6"	160	89	1483					
WL-HF142500	2500	20	4"	110	60	1000	3.02	2750	800	1400	1600
		30	6"	160	91	1517					
		40	6"	160	121	2017					
WL-HF143000	3000	20	6"	160	73	1217	3.67	3375	1000	1400	1600
		30	6"	160	110	1833					
		40	6"	160	147	2450					

Φ1600mm											
Model	L Length (mm)	Flow rate (m³/h/m²)	Flange Connections		Design Flow		Filter Area (m²)	0.5-0.8mm Sand Weight (kg)	1-2mm Gravel Weight (kg)	Tank Diameter (mm)	Filter Height (mm)
			inches	de(mm)	m³/h	lpm					
WL-HF161900	1900	20	4"	110	49	817	2.47	2800	600	1600	1830
		30	6"	160	74	1233					
		40	6"	160	99	1650					
WL-HF162500	2500	20	4"	110	67	1117	3.36	3800	850	1600	1830
		30	6"	160	101	1683					
		40	6"	160	134	2233					
WL-HF163000	3000	20	6"	160	82	1367	4.10	4700	1050	1600	1830
		30	6"	160	123	2050					
		40	8"	200	164	2733					

Φ1800mm											
Model	L Length (mm)	Flow rate (m³/h/m²)	Flange Connections		Design Flow		Filter Area (m²)	0.5-0.8mm Sand Weight (kg)	1-2mm Gravel Weight (kg)	Tank Diameter (mm)	Filter Height (mm)
			inches	de(mm)	m³/h	lpm					
WL-HF182500	2500	20	6"	160	75	1250	3.74	4850	980	1800	2050
		30	6"	160	112	1867					
		40	6"	160	150	2500					
WL-HF183000	3000	20	6"	160	92	1533	4.58	5930	1230	1800	2050
		30	6"	160	137	2283					
		40	8"	200	183	3050					
WL-HF183500	3500	20	6"	160	108	1800	5.41	7000	1480	1800	2050
		30	8"	200	162	2700					
		40	8"	200	216	3600					
WL-HF184000	4000	20	6"	160	125	2083	6.25	8080	1700	1800	2050
		30	8"	200	187	3117					
		40	10"	250	250	4167					

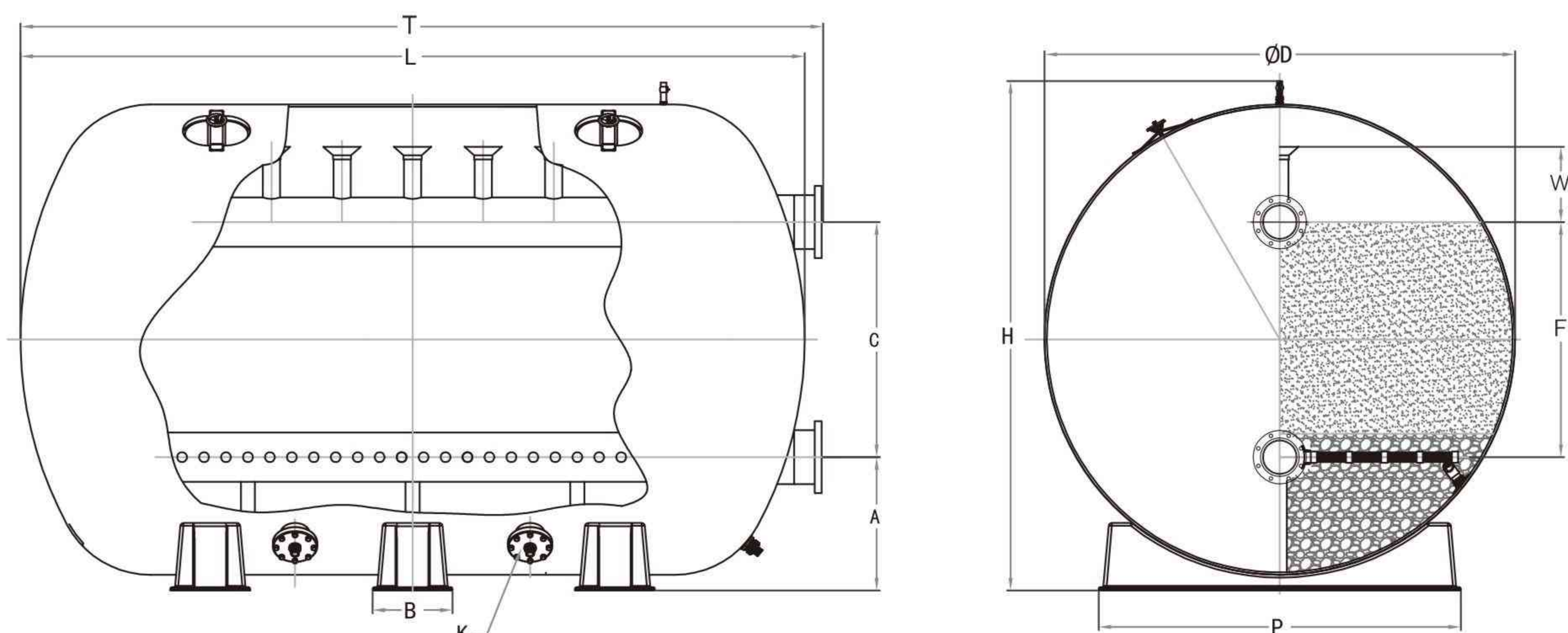
STANDARD: MAXIMUM WORKING PRESSURE: 36psi/2.5kg/cm² MAXIMUM OPERATING WATER TEMPERATURE: ≤50°C MAXIMUM TESTING PRESSURE: 58psi/4.0kg/cm²
 OPTIONAL: MAXIMUM WORKING PRESSURE: 58psi/4.0kg/cm² MAXIMUM OPERATING WATER TEMPERATURE: ≤50°C MAXIMUM TESTING PRESSURE: 86psi/6.0kg/cm²

Φ2000mm											
Model	L Length (mm)	Flow rate (m³/h/m²)	Flange Connections		Design Flow		Filter Area (m²)	0.5-0.8mm Sand Weight (kg)	1-2mm Gravel Weight (kg)	Tank Diameter (mm)	Filter Height (mm)
			inches	de(mm)	m³/h	lpm					
WL-HF202500	2500	20	6"	160	87	1450	4.34	6000	1050	2000	2200
		30	6"	160	130	2167					
		40	8"	200	174	2900					
WL-HF203000	3000	20	6"	160	106	1767	5.30	7450	1300	2000	2200
		30	6"	160	159	2650					
		40	8"	200	212	3533					
WL-HF203500	3500	20	6"	160	125	2083	6.25	8900	1550	2000	2200
		30	8"	200	187	3117					
		40	8"	200	250	4167					
WL-HF204000	4000	20	6"	160	144	2400	7.21	10350	1800	2000	2200
		30	8"	200	216	3600					
		40	10"	250	288	4800					
WL-HF204500	4500	20	8"	200	163	2717	8.16	11800	2080	2000	2200
		30	8"	200	245	4083					
		40	10"	250	326	5433					
Φ2350mm											
Model	L Length (mm)	Flow rate (m³/h/m²)	Flange Connections		Design Flow		Filter Area (m²)	0.5-0.8mm Sand Weight (kg)	1-2mm Gravel Weight (kg)	Tank Diameter (mm)	Filter Height (mm)
			inches	de(mm)	m³/h	lpm					
WL-HF234000	4000	20	8"	200	163	2717	8.17	12800	3650	2350	2560
		30	8"	200	245	4083					
		40	10"	250	327	5450					
WL-HF234500	4500	20	8"	200	186	3100	9.28	14525	4200	2350	2560
		30	10"	250	279	4650					
		40	10"	250	371	6183					
WL-HF235000	5000	20	8"	200	208	3467	10.40	16250	4750	2350	2560
		30	10"	250	312	5200					
		40	10"	315	416	6933					
WL-HF236000	6000	20	8"	200	253	4217	12.63	19700	5850	2350	2560
		30	10"	250	379	6317					
		40	12"	315	505	8417					
WL-HF237000	7000	20	10"	250	297	4950	14.86	23150	6950	2350	2560
		30	12"	315	446	7433					
		40	12"	315	594	9900					
Φ2500mm											
Model	L Length (mm)	Flow rate (m³/h/m²)	Flange Connections		Design Flow		Filter Area (m²)	0.5-0.8mm Sand Weight (kg)	1-2mm Gravel Weight (kg)	Tank Diameter (mm)	Filter Height (mm)
			inches	de(mm)	m³/h	lpm					
WL-HF254000	4000	20	8"	200	172	2867	8.62	13500	3725	2500	2710
		30	8"	200	258	4300					
		40	10"	250	345	5750					
WL-HF254500	4500	20	8"	200	196	3267	9.80	15350	4300	2500	2710
		30	10"	250	294	4900					
		40	10"	250	392	6533					
WL-HF255000	5000	20	8"	200	220	3667	10.98	17200	4850	2500	2710
		30	10"	250	329	5483					
		40	12"	315	439	7317					
WL-HF256000	6000	20	8"	200	267	4450	13.34	20900	5975	2500	2710
		30	10"	250	400	6667					
		40	12"	315	533	8883					
WL-HF257000	7000	20	10"	250	314	5233	15.70	24600	7100	2500	2710
		30	12"	315	471	7850					
		40	12"	315	628	10467					
Φ3000mm											
Model	L Length (mm)	Flow rate (m³/h/m²)	Flange Connections		Design Flow		Filter Area (m²)	0.5-0.8mm Sand Weight (kg)	1-2mm Gravel Weight (kg)	Tank Diameter (mm)	Filter Height (mm)
			inches	de(mm)	m³/h	lpm					
WL-HF305000	5000	20	8"	200	265	4417	13.24	26300	6875	3000	3230
		30	10"	250	397	6617					
		40	12"	315	530	8833					
WL-HF306000	6000	20	10"	250	322	5367	16.08	31920	8450	3000	3230
		30	12"	315	482	8033					
		40	12"	315	643	10717					
WL-HF307000	7000	20	10"	250	378	6300	18.92	37545	10025	3000	3230
		30	12"	315	568	9460					
		40	12"	315	756	12600					
WL-HF308000	8000	20	12"	315	435	7250	21.76	43170	11600	3000	3230
		30	12"	315	653	10883					
		40	14"	355	870	14500					

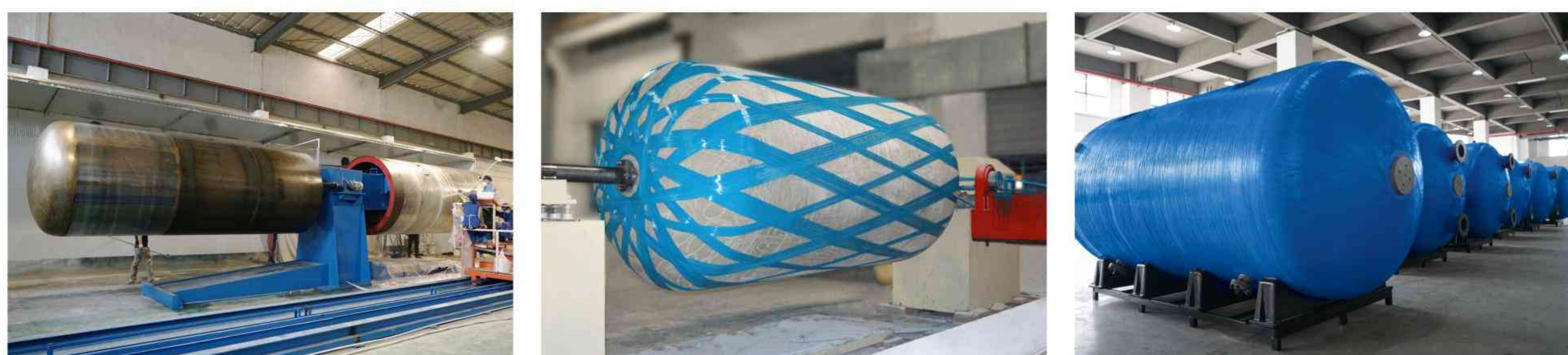


Model	L (mm)	H (mm)	A (mm)	B (mm)	C (mm)	T (mm)	P (mm)	K (mm)	W (mm)	F (mm)
Φ1200mm										
WL-HF121900	1900	1390	725	250	340	2050	900	180	225	550
WL-HF122300	2300	1390	725	250	340	2450	900	180	225	550
WL-HF122500	2500	1390	725	250	340	2650	900	180	225	550
WL-HF122700	2700	1390	725	250	340	2850	900	180	225	550
WL-HF123000	3000	1390	725	250	340	3150	900	180	225	550
Φ1400mm										
WL-HF141900	1900	1600	810	300	400	2150	960	110	225	750
WL-HF142500	2500	1600	810	300	400	2650	960	110	225	750
WL-HF143000	3000	1600	810	300	400	3150	960	110	225	750
Φ1600mm										
WL-HF161900	1900	1830	925	300	450	2100	1230	110	250	950
WL-HF162500	2500	1830	925	300	450	2700	1230	110	250	950
WL-HF163000	3000	1830	925	300	450	3200	1230	110	250	950
Φ1800mm										
WL-HF182500	2500	2050	1040	300	550	2700	1380	180	300	1000
WL-HF183000	3000	2050	1040	300	550	3200	1380	180	300	1000
WL-HF183500	3500	2050	1040	300	550	3700	1380	180	300	1000
WL-HF184000	4000	2050	1040	300	550	4200	1380	180	300	1000
Φ2000mm										
WL-HF202500	2500	2220	1090	330	550	2730	1490	160	400	1100
WL-HF203000	3000	2220	1090	330	550	3230	1490	160	400	1100
WL-HF203500	3500	2220	1090	330	550	3730	1490	160	400	1100
WL-HF204000	4000	2220	1090	330	550	4230	1490	160	400	1100
WL-HF204500	4500	2220	1090	330	550	4730	1490	160	400	1100

DIATOMACEOUS EARTH FIBREGLASS FILTERS



Model	L (mm)	H (mm)	A (mm)	B (mm)	C (mm)	T (mm)	P (mm)	K(mm)	W(mm)	F(mm)
Φ2350mm										
WL-HF234000	4000	2560	1270	300	710	4380	1750	160	500	1000-1200
WL-HF234500	4500	2560	1270	300	710	4880	1750	160	500	1000-1200
WL-HF235000	5000	2560	1270	300	710	5440	1750	160	500	1000-1200
WL-HF236000	6000	2560	720	300	1350	6110	1750	160	500	1000-1200
WL-HF237000	7000	2560	720	300	1350	7110	1750	160	500	1000-1200
Φ2500mm										
WL-HF254000	4000	2710	1360	450	710	4380	1900	160	500	1000-1200
WL-HF254500	4500	2710	1360	450	710	4940	1900	160	500	1000-1200
WL-HF255000	5000	2710	1360	450	710	5440	1900	160	500	1000-1200
WL-HF256000	6000	2710	625	450	1400	6110	1900	160	500	1000-1200
WL-HF257000	7000	2710	625	450	1400	7110	1900	160	500	1000-1200
Φ3000mm										
WL-HF305000	5000	3230	900	510	1500	5110	2310	160	550	1000-1200
WL-HF306000	6000	3230	900	510	1500	6110	2310	160	550	1000-1200
WL-HF307000	7000	3230	900	510	1500	7110	2310	160	550	1000-1200
WL-HF308000	8000	3230	900	510	1500	8110	2310	160	550	1000-1200



D.E. is historically the media of choice for the designers of some of the largest and most beautiful pools in the world, it is now more practical for all backyard pools as well. It brings you the proven performance of diatomaceous earth media in the world's safest and easiest-to-operate filter.

The greater cycle times and minimized maintenance of the filter, coupled with superior grid system, gives you the finest D.E. filter available.

- Good and crude media for filtration--Diatomaceous(D.E.)
- High Filter precision, can reach 2 ~ 3µm.
- Shorter time to backwash, save water and energy sources.
- "Deep bed" designed, save area.

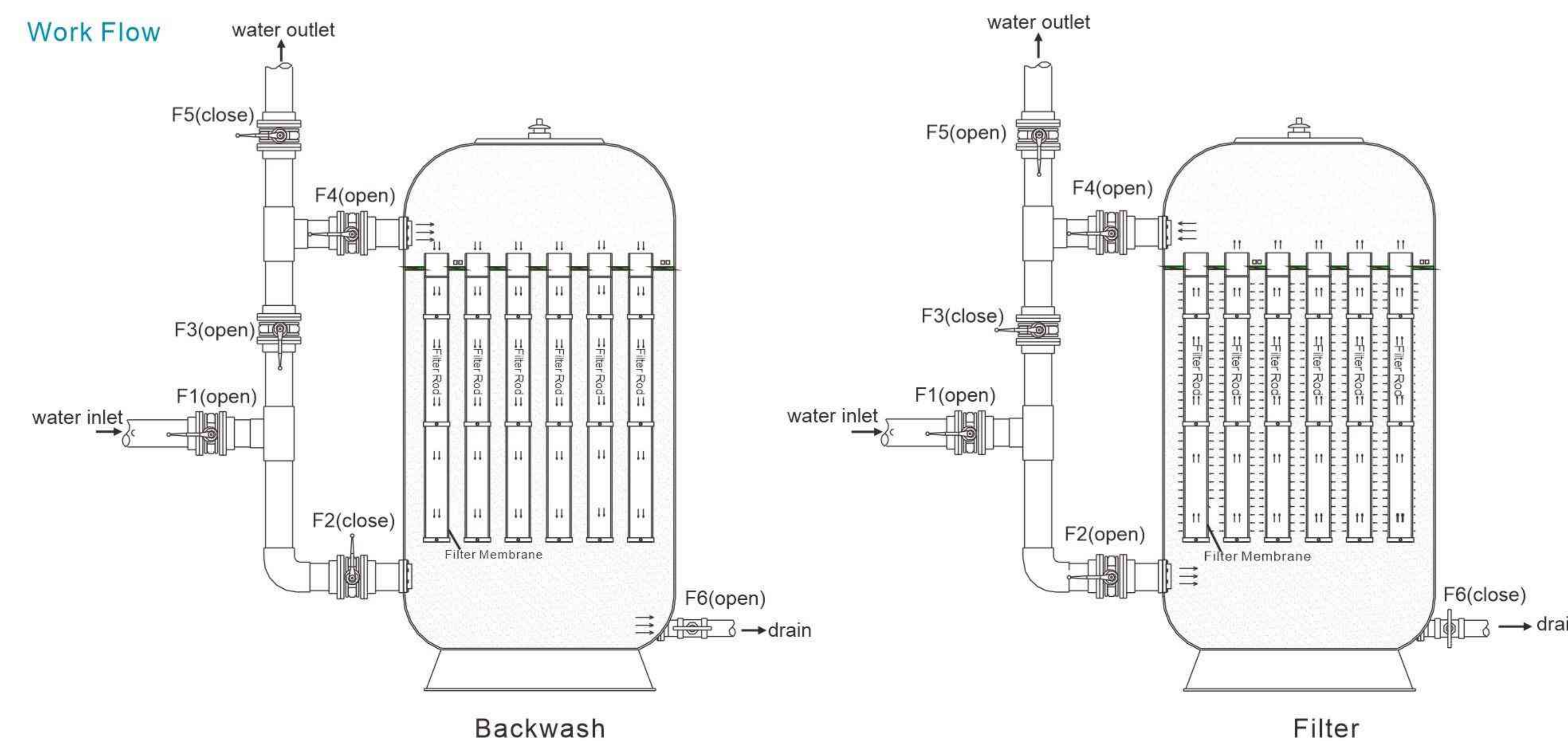


DE650-DE700

With Valve

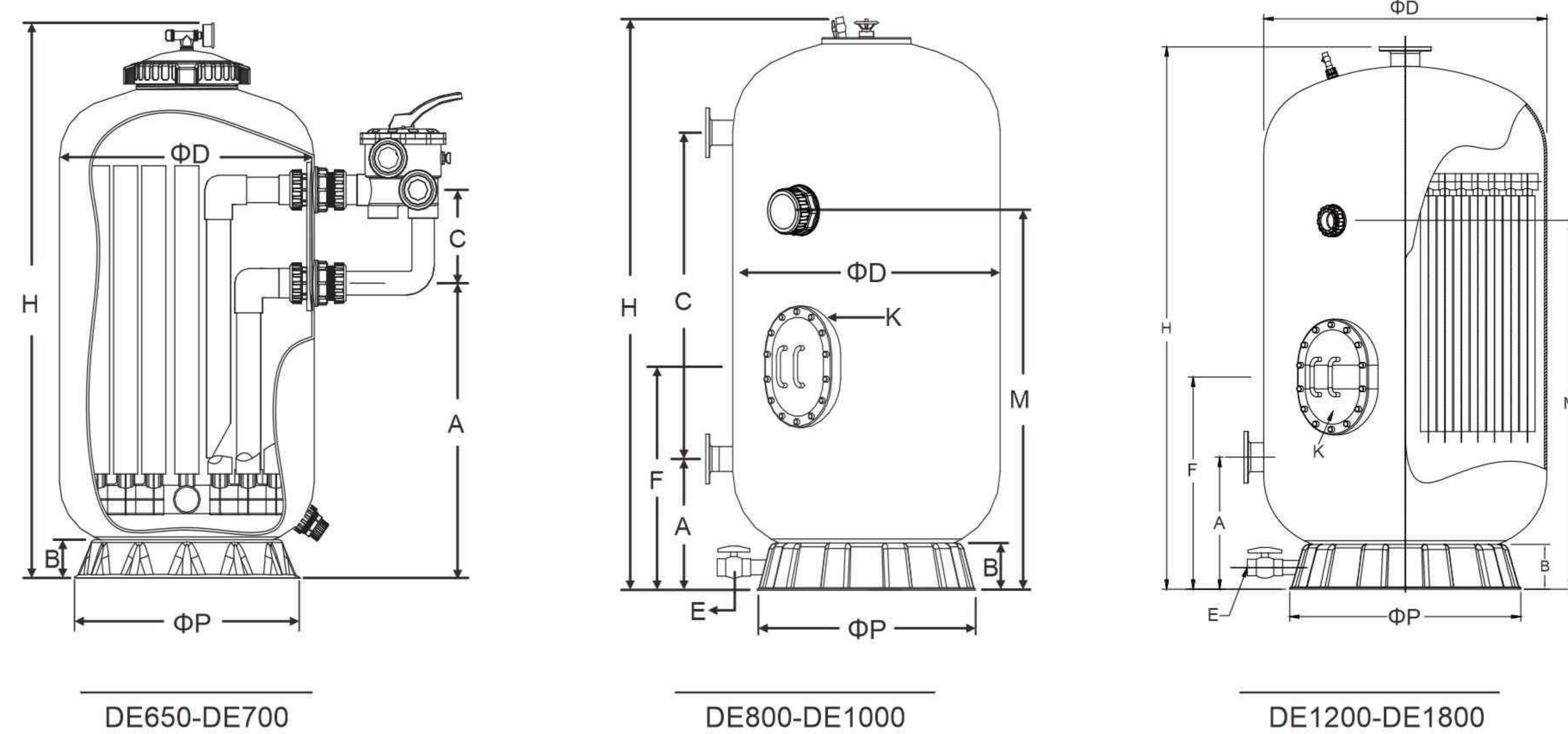
DE800-DE1800

With Flange

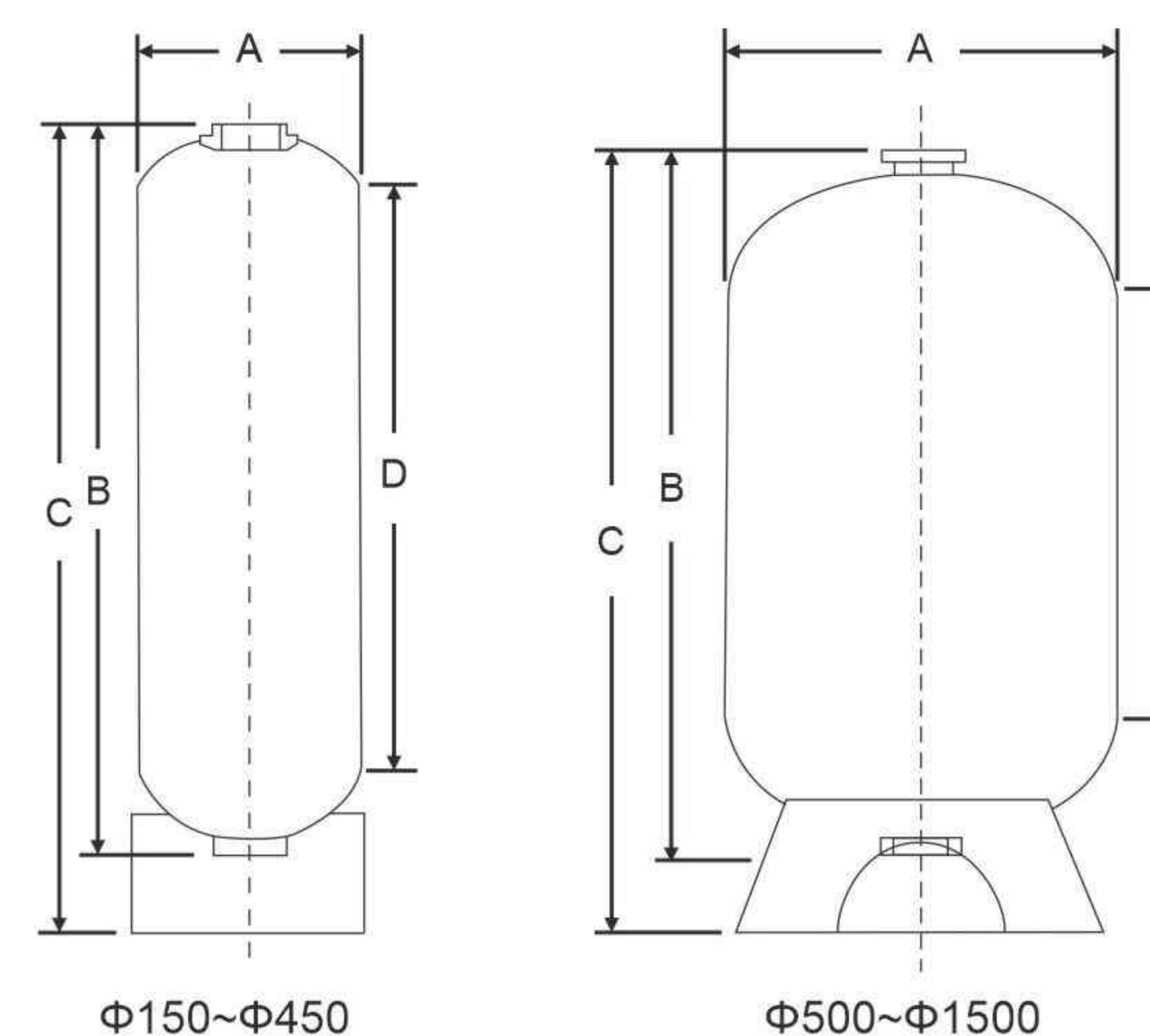


- ◆ Standard: Maximum Working Pressure: 250kpa/36psi/2.5bar
- ◆ Optional: Maximum Working Pressure: 400kpa/58psi/4.0bar
- ◆ Maximum Temperature: 50°C

HIGH PRESSURE FIBERGLASS FILTERS



- High-performance material satisfies customers' different application
- Apply to water feeding and sewage water treatment, chemical, electronic, petroleum, food etc.
- Φ150mm-Φ900mm filters are made of PE blow molding inner tank with fiberglass.
- Φ1000mm-Φ1500mm filters are made of PE rotational molding innertank with fiberglass.
- Above Φ700 filters are specially equipped with destruction of negative pressure device.
- Strong ability of pressure-bearing



ΦD(mm)	635	700	800	900	1000	1200	1400	1600	1800
H(mm)	1310	1340	2100	2100	2100	2300	2350	2350	2450
A(mm)	700	730	400	400	400	500	600	600	650
B(mm)	95	95	115	115	140	165	165	215	215
C(mm)	220	220	1300	1300	1300	—	—	—	—
E(mm)	—	—	50	50	50	50	63	63	63
F(mm)	—	—	900	900	900	900	900	900	1000
K(mm)	—	—	400X300	400X300	400X300	400X300	400X300	400X300	400X300
M(mm)	—	—	1350	1350	1350	1400	1400	1400	1450
ΦP(mm)	565	565	690	760	830	980	1215	1450	1610

Model	Pipe Size		Filter Area		Design Flow		Required D.E (kg)	Tank Diameter (mm)	Filter Height (mm)
	inches	mm	m ²	Ft ²	m ³ /h	lpm			
WL-DE650	2	63	3.64	39	18	300	2.2	635	1310
WL-DE700	2	63	5.07	55	25	417	3.0	700	1340

Model	Flange Connections (mm)	Filter Area		Design Flow		Required D.E (kg)	Tank Diameter (mm)	Filter Height (mm)
		m ²	Ft ²	m ³ /h	lpm			
WL-DE800	90	9.40	101	47	783	5.0	800	2100
WL-DE900	90	11.00	118	55	916	6.0	900	2100
WL-DE1000	110	15.00	161	75	1250	8.0	1000	2100
WL-DE1200	110	23.40	252	117	1949	13.0	1200	2300
WL-DE1400	160	32.60	351	163	2716	19.0	1400	2350
WL-DE1600	160	40.60	437	203	3382	22.0	1600	2350
WL-DE1800	200	53.40	575	267	4448	30.0	1800	2450

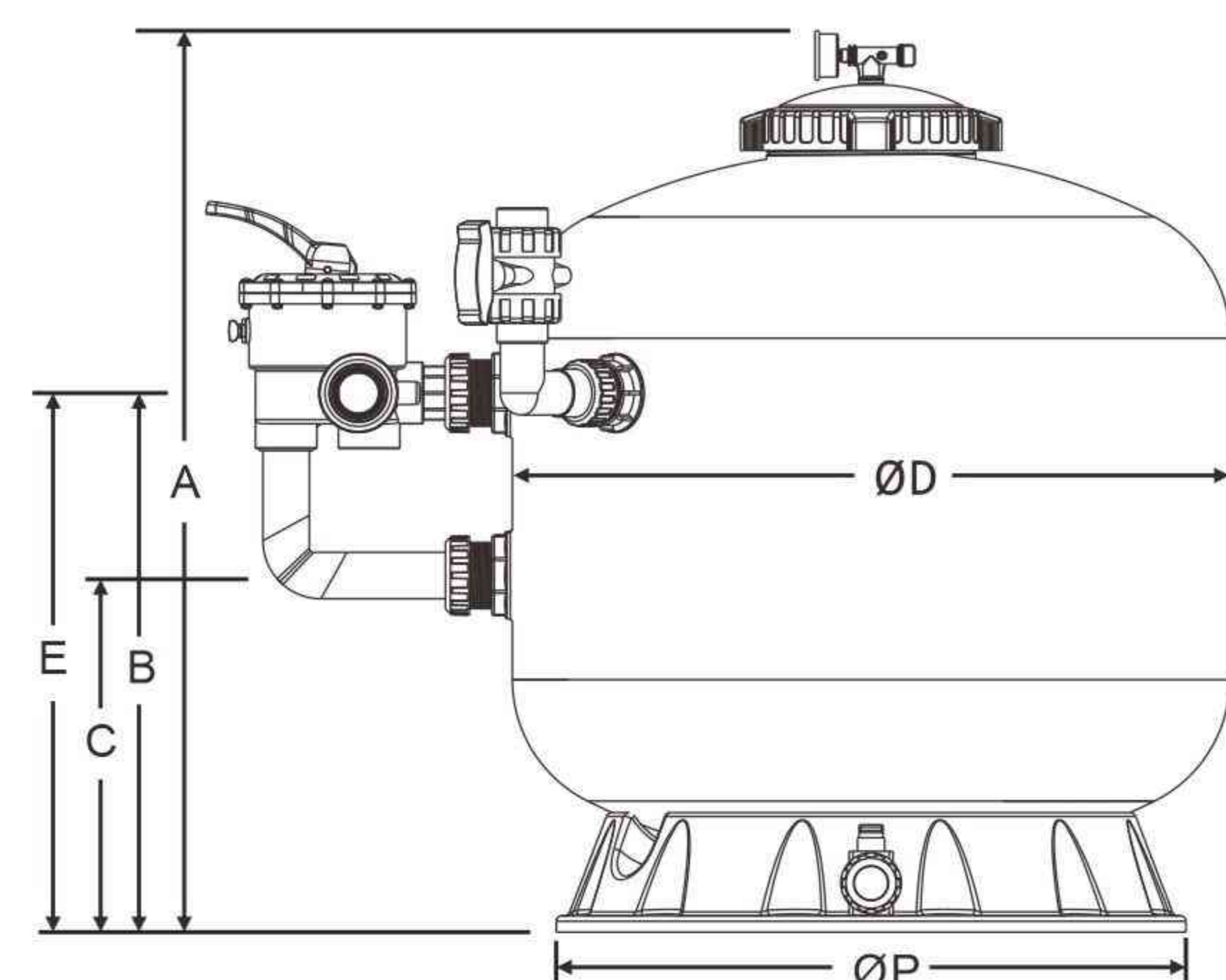
Model	Volume(L)	Top opening	Bottom opening	Diameter (mm)	Filter height (mm)	A(mm)	B(mm)	C(mm)
WL-HA2045	11.5	2.5"-8NPSM	/	200	450	200	430	450
WL-HA2090	24.8	2.5"-8NPSM	/	200	900	200	805	900
WL-HA2011	35	2.5"-8NPSM	/	200	1100	200	1070	1100
WL-HA2590	38.4	2.5"-8NPSM	/	250	900	250	855	900
WL-HA2514	50	2.5"-8NPSM	/	250	1400	250	1430	1400
WL-HA3014	70	2.5"-8NPSM	/	300	1450	300	1430	1450
WL-HA3016	100	2.5"-8NPSM	/	300	1650	300	1630	1650
WL-HA3516	130	2.5"-8NPSM	/	350	1650	350	1630	1650
WL-HA4016	180	4"-8UN	/	400	1650	400	1630	1650
WL-HA4516	185	4"-8UN	/	400	1650	450	1620	1650
WL-HA5018	280	4"-8UN	4"-8UN	500	1800	500	1650	1800
WL-HA6018	400	4"-8UN	4"-8UN	600	1850	600	1650	1850
WL-HA6020	460	4"-8UN	4"-8UN	600	2000	600	1850	2000
WL-HA7518	650	4"-8UN	4"-8UN	750	1850	750	1620	1850
WL-HA7520	700	4"-8UN	4"-8UN	750	2000	750	1850	2000
WL-HA9020	1040	4"-8UN	4"-8UN	900	2000	900	1950	2000
WL-HA9024	1170	4"-8UN	4"-8UN	900	2400	900	2030	2400
WL-HA10018	1040	4"-8UN	4"-8UN	1000	1850	1000	1650	1850
WL-HA10024	1332	4"-8UN	4"-8UN	1000	2400	1000	2030	2400
WL-HA12024	1909	6" Flange	6" Flange	1200	2400	1200	2000	2400
WL-HA15024	2588	6" Flange	6" Flange	1500	2400	1500	2000	2400

Maximum Working Pressure: 600kpa/87psi/6.0bar Factory Testing Pressure: 900kpa/130psi/9.0bar Maximum Temperature: ≤49°C
 Max Vacuum: 127mmHg Filtration Media: silica sand, activated carbon, etc

BIOLOGICAL FILTER

POOL FILTERS

Bead filter are closed pressure filter containing food grade polyethylene granules or beads. The form and size of the beads create a large surface on which bacteria and suspended solid can attached it. It provides mechanical and biological filtration at a single unit which compete with bobbin wound filter, 6-way multiport valve, pipings, circulation pump, air blower, control box and base. It has been engineered uniquely for pond and aquarium.



Model	BFG 450	BFG 500	BFG 650	BFG 700	BFG 800	BFG 900	BFG 1200
ΦD (mm)	450	500	630	700	800	900	1200
A (mm)	660	730	790	885	1020	1110	1350
B (mm)	385	405	435	520	605	650	820
C (mm)	260	280	310	300	385	430	600
E (mm)	385	405	435	480	600	650	820
ΦP (mm)	390	390	565	565	790	790	1010

Model	Design Flow		Pond Size (m ³)	Fish Load (kg)	Blower (watt)	Media (kg)	Filter Diameter (mm)	Filter Height (mm)
	m ³ /h	lpm						
WL-BFG450	8	133	6	20	700	18	450	660
WL-BFG500	11	183	10	35	700	30	500	730
WL-BFG650	16	267	30	78	900	50	650	745
WL-BFG700	19	317	34	94	900	75	700	830
WL-BFG800	25	417	52	124	900	100	800	905
WL-BFG900	30	500	73	172	1000	125	900	1005
WL-BFG1200	42	700	148	310	2*1000	325	1200	1325

MULTIPOINT VALVES

POOL FILTERS

6-WAY MULTIPOINT VALVE

New type of multiport control valve, made of ABS and engineered for maximum flow at lower pressure drops will be the first choice in the same ones. All the valves feature an easy-to-use lever action handle that lets you "dial" up to six valve/filter functions : filter, backwash, waste, rinse, closed or recirculate. Complete with an integral sight glass that lets you see when the backwashing cycle is completed, our wide selection of valve configurations allows you to the proper application: residential and commercial.



1.5" Multiport valve for top mounted clamp lock filter



2" Multiport valve for top mounted filter



1.5" Multiport valve for side mounted filter



2" Multiport valve for side mounted filter

4-WAY MULTIPOINT VALVE



1.5" Multiport valve for top mount filter

BUTTERFLY VALVE FOR COMMERCIAL FILTERS



4-Way Valve Manifold

Size: 3"- 8"



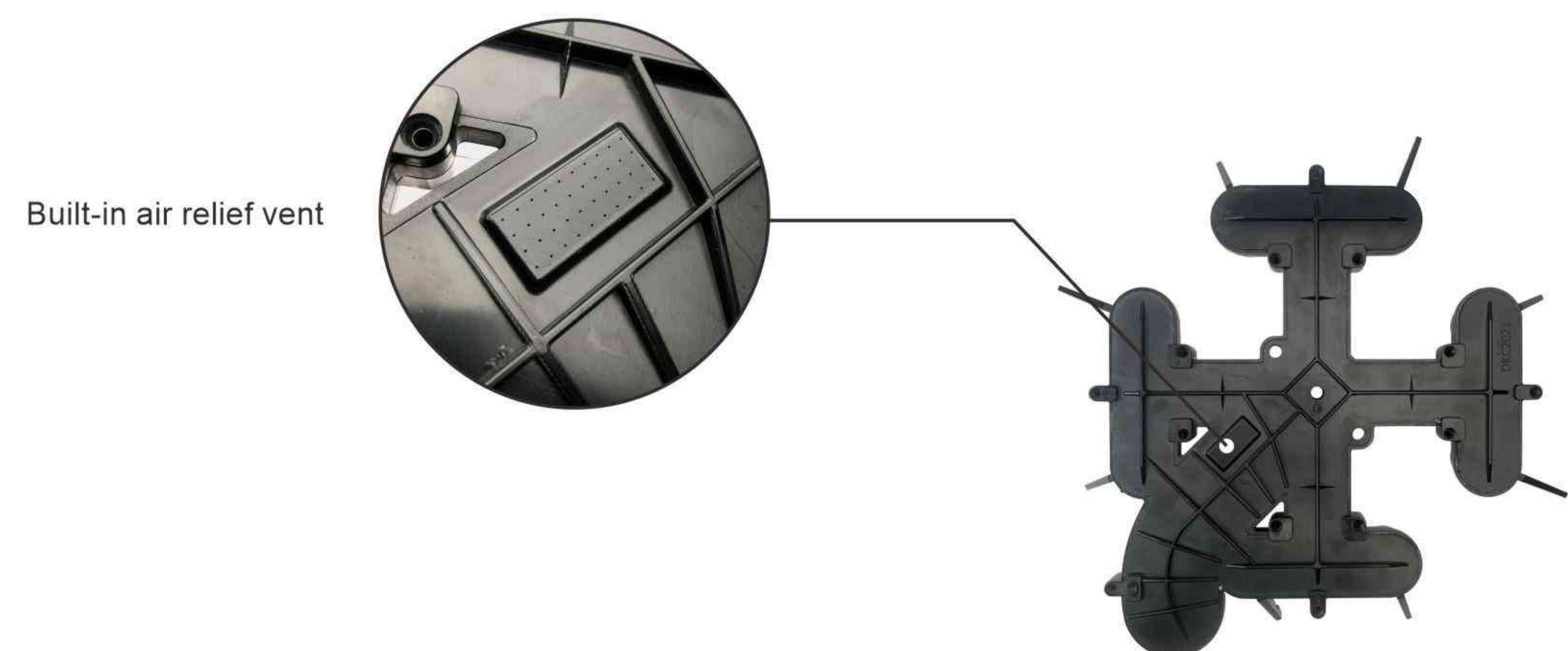
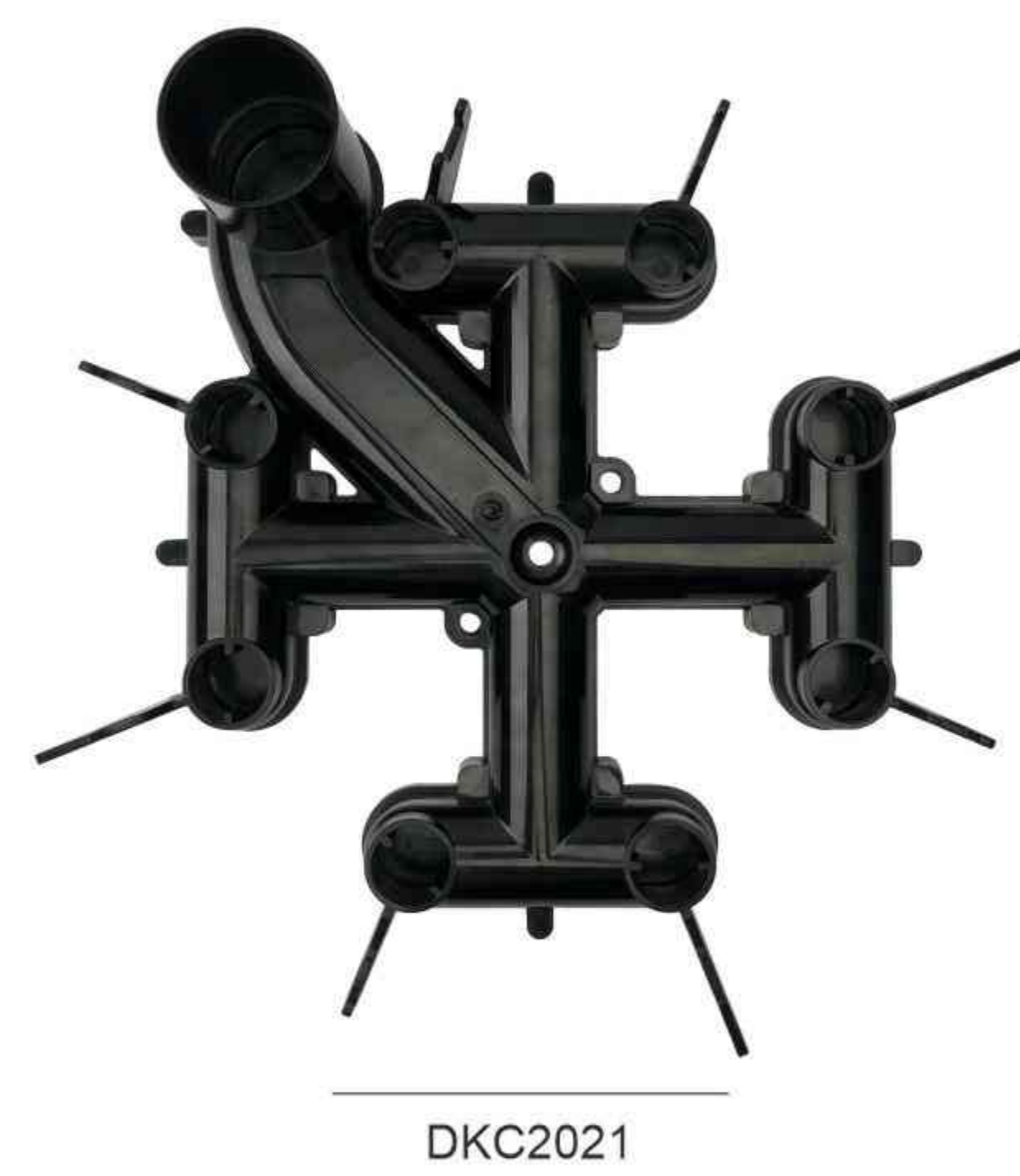
5-Way Valve Manifold

Size: 3"- 8"

MANIFOLD

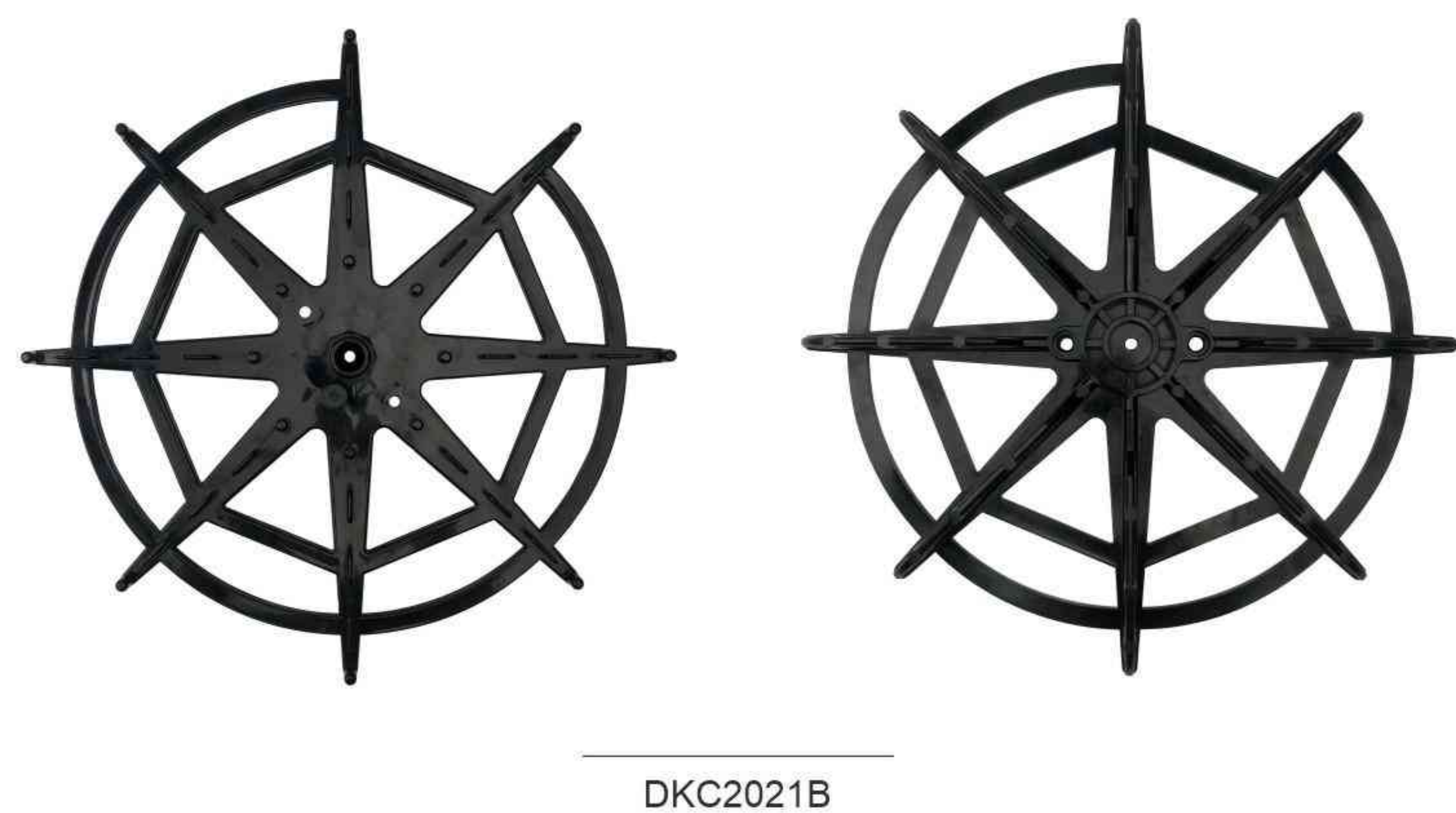
DE FILTER TOP MANIFOLD WITH BUILT IN AIR RELIEF VENT

- Heavy-duty materials
- Top manifold with built in air relief vent
- Manufactured to the highest standards to provide you with a quality product
- Suitable to use with only one rod



DE FILTER SPIDER BOTTOM MANIFOLD

- Heavy-duty materials
- Manufactured to the highest standards to provide you with a quality product



CRYSTAL GLASS FILTER MEDIA

Crystal Glass Filter Media, made from virgin material, its advantage over Silica Sand as filter media application are;

Prevents bacterial growth

The aseptic properties Crystal Glass Filter Media avoid the formation of biofilm. This important characteristic is accredited by accreditation laboratories (see attached lab report). Biofilm is responsible for chloramines, clogging and channeling in the filter mass.

Long-lasting

Sand media needs to be changed out every 3-5 years depending on the water and debris load that is going through the filter. Crystal Glass Filter Media lasts about 2-3 times as long as sand filter media, it is often referred to as "Permanent Medium".

Improves water clarity

Sand will filter to about 30 microns. Crystal Glass Filter Media will filter down to roughly 5-10 microns. Even finer particles than cartridge filters.

Sustainable

Glass media, normally can last for over 10 years plus, subject to use and application; without need for replacement.

Reduces backwashing

Sand will require longer backwashing to clean the dirt out of the system. As there is more volume of media to go through. Glass media will backwash quicker as the material is lighter and less dense, so it floats better, resulting in faster cleaning. Faster cleaning also means less water usage. Usage of Crystal Glass Media will result in less HEAD loss (see Fig 3).

Economical

Sand filter media, generally speaking, to fill the filter more cost effective.

Glass media since it is finer will only require roughly 50-70% fill capacity at a higher cost but with more value.



Fig 1



Fig 2

Head Loss

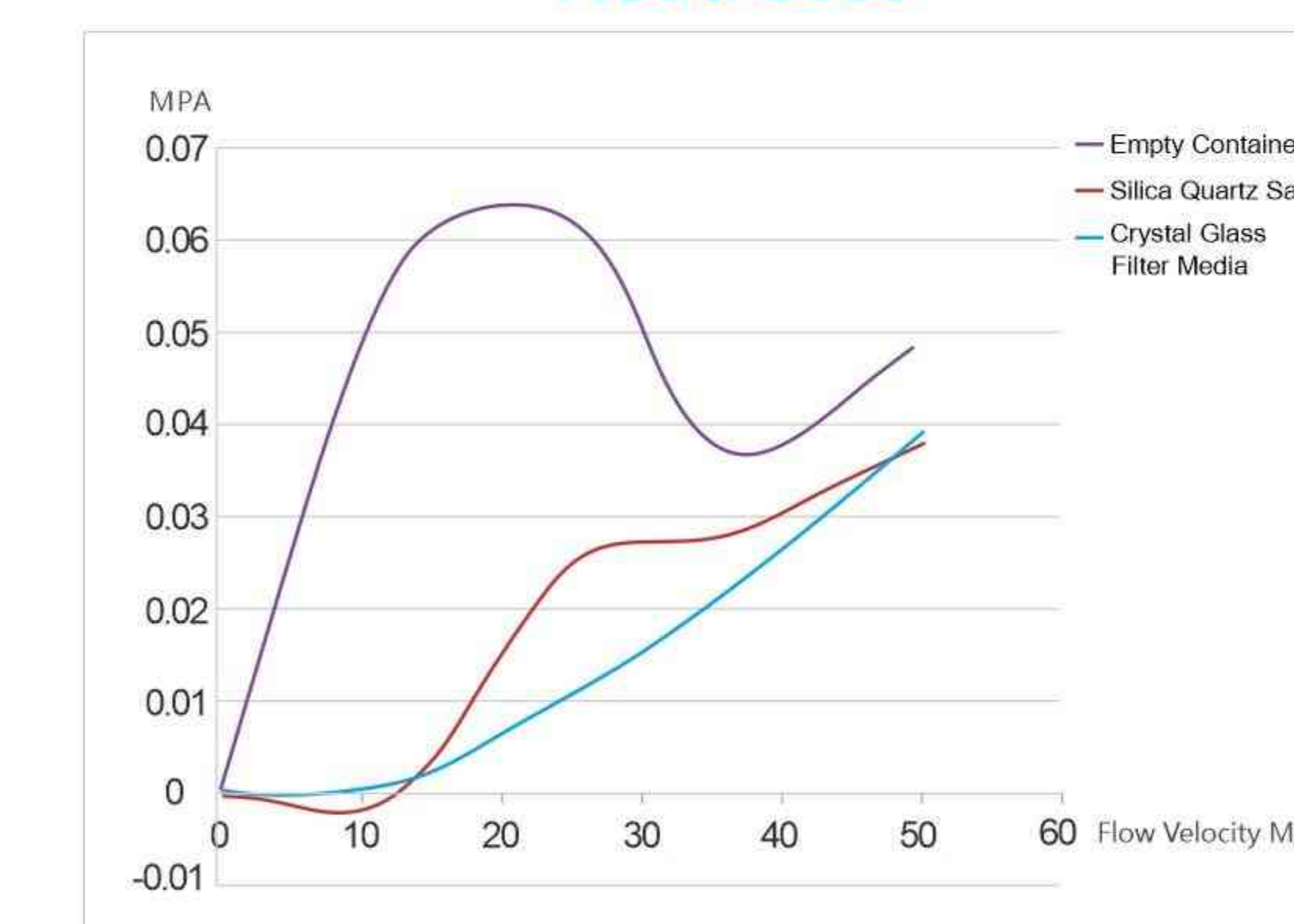


Fig 3

Test Results Summary (GMICRO report)

Turbidity Test

Type	Water Volume (litre)	Diatomaceous Earth Added (gram)	Turbidity										
			Start	@4 minutes		@8 minutes		@12 minutes		@16 minutes		@20 minutes	
				1#	2#	1#	2#	1#	2#	1#	2#	1#	2#
Silica Sand	350	15.75	45	12.0	10.15	4.05	5.5	6.31	5.87	6.29	4.42	2.74	3.27
Crystal Glass Filter Media	350	15.75	45	4.5	4.19	3.84	3.72	2.91	3.6	3.6	3.56	1.65	1.86

- 1# and 2# are batch nbr of water sample
- Test performed at 25m/hour velocity, flow at 3.14m³/hour
- Crystal Glass Filter Media performs at 70% reduction in turbidity and reach below 2NUT after 20 minutes

Back Wash Test

Media	Layer Thickness (cm)	Backwash depth (cm)
Silica Sand	10	13
Crystal Glass Filter Media	10	14

- Crystal Glass Filter Media bed expansion rate is 25% higher than Silica Sand.
- High expansion ratio = less backwash resistance, therefore less time and water usage.
- Within the same container, high expansion rate = less filter media is required.

Water Quality Test using Crystal Glass Filter Media

Nbr	Test Performed	Data Before Filtration	Results After 10 minutes of filtration	Units
1	Aerobic Bacterial Count	5 x 10 ²	/	CFU/mL
2	Total Coliforms	Absence	Absence	/
3	Vanadium	0.05	≤0.01	mg/L
4	pH value	8.42	7.82	/
5	Turbidity	19.4	≤1	NTU

Test performed by Guangdong Detection Center of Microbiology, report dated 2020-6-11



03



UNDERWATER LIGHTS

WL-MAG



WL-MAG

LASWIM's WL-MAG series of mixed-type (wall-mounted/embedded) underwater lights prioritize engineering convenience, product safety, and reliability. This underwater light demonstrates excellent engineering adaptability, allowing wall-mounted, embedded, or assembled installation through the conversion of the base. This greatly enhances the universality of underwater light installation, reducing the difficulty for owners to choose. Simultaneously, this underwater light employs a fully sealed process and integrated structural design, isolating electrical components from water and the light body. This significantly improves the waterproof, heat dissipation, and insulation performance of the underwater light, resulting in better safety and a longer lifespan.



Colour Change



Main features:

- Fully resin enclosing the light cable connection, to achieve complete waterproof and moisture proof.
- High efficient, supper bright, big lumen.
- Waterproof standard: IP68.
- Color: cool white, warm white, RGB and single color.
- RGB mode features 19 pre-programmed patterns.
- Installation mode: compatible to housing type with niche and wall-mounted with bracket plate.
- Color temperature: cool white 6000K, warm white: 3000K.

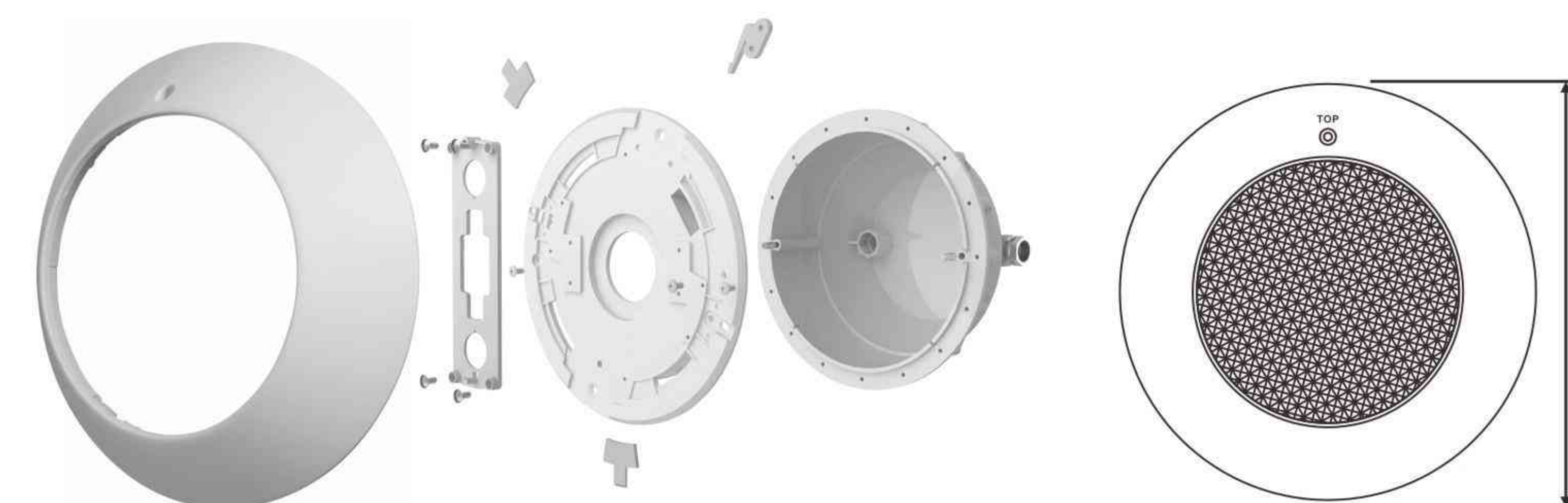
TECHNICAL DATA

Model	Power (W)	Voltage (V)	LED QTY	Light source	Color	Lumination flux	Installation type
WL-MAG-LED072TB	6W	12V	72	Resin filled	White color	255	Housing type & wall-mounted type
WL-MAG-LED072TC	6W	12V	72	Resin filled	RGB	90	Housing type & wall-mounted type
WL-MAG-LED252TB	18W	12V	252	Resin filled	White color	731	Housing type & wall-mounted type
WL-MAG-LED252TC	18W	12V	252	Resin filled	RGB	255	Housing type & wall-mounted type
WL-MAG-LED324TB	24W	12V	324	Resin filled	White color	1075	Housing type & wall-mounted type
WL-MAG-LED324TC	24W	12V	324	Resin filled	RGB	355	Housing type & wall-mounted type
WL-MAG-LED126JTB	18W	12-20V	126	Resin filled	White color	1250	Housing type & wall-mounted type
WL-MAG-LED126JTC	18W	12-20V	126	Resin filled	RGB	780	Housing type & wall-mounted type
WL-MAG-LED162JTB	18W	12-20V	162	Resin filled	White color	1370	Housing type & wall-mounted type
WL-MAG-LED162JTC	18W	12-20V	162	Resin filled	RGB	880	Housing type & wall-mounted type
WL-MAG-LED216JTB	24W	12-20V	216	Resin filled	White color	1950	Housing type & wall-mounted type
WL-MAG-LED216JTC	24W	12-20V	216	Resin filled	RGB	1300	Housing type & wall-mounted type

WL-MD



LASWIM MD series flat light is elegant in design, ultra-thin lamp againsts to the pool wall much more closely. It not only provides super brightness and high efficiency, but also very convenient installation to mount to the pool with bracket plate directly.



- Code 3040930059 bracket for concrete pool (non-niche).
- Code 3040930061 Mounting set for panel pool.
- Code 1219800009 retrofit plate for light with European or American Niche.



3040930059

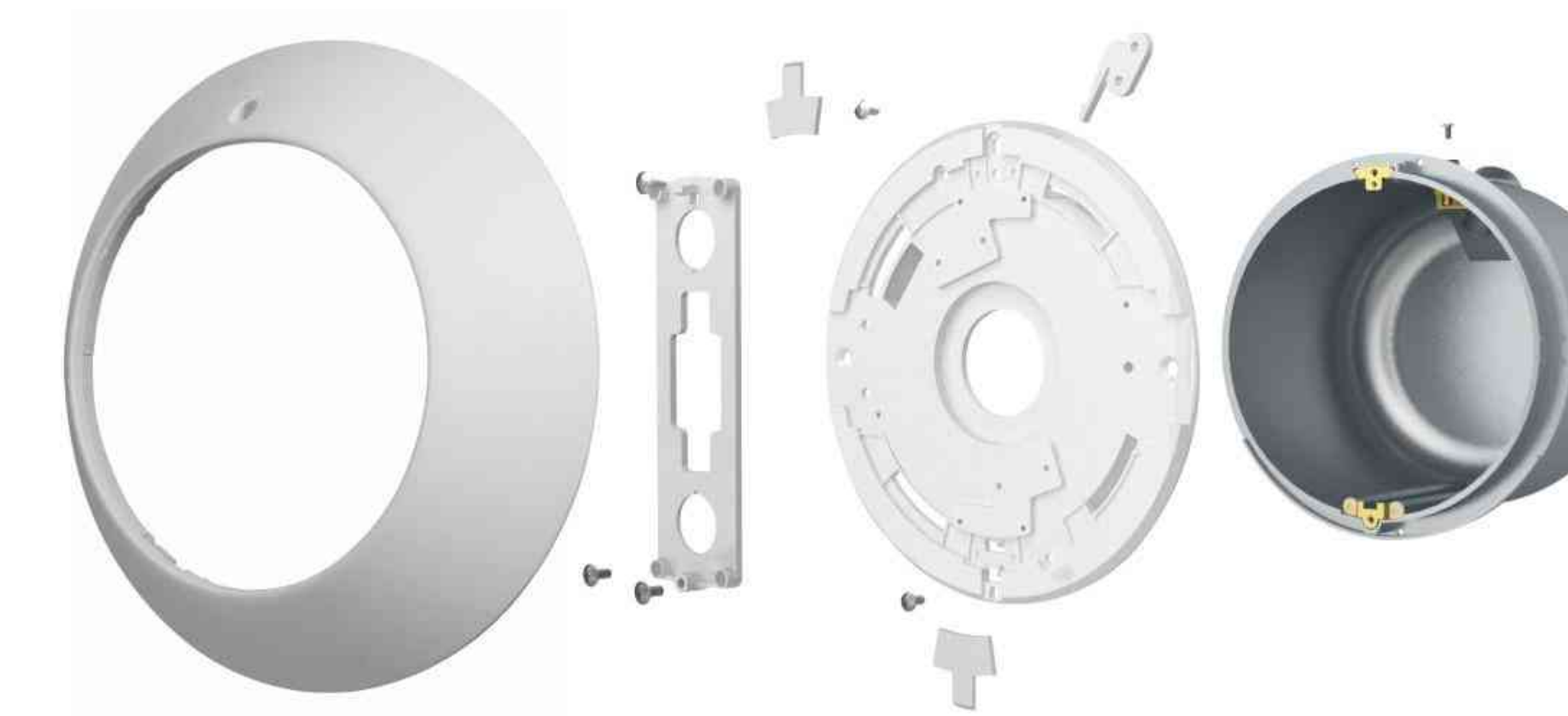


3040930061



1219800009

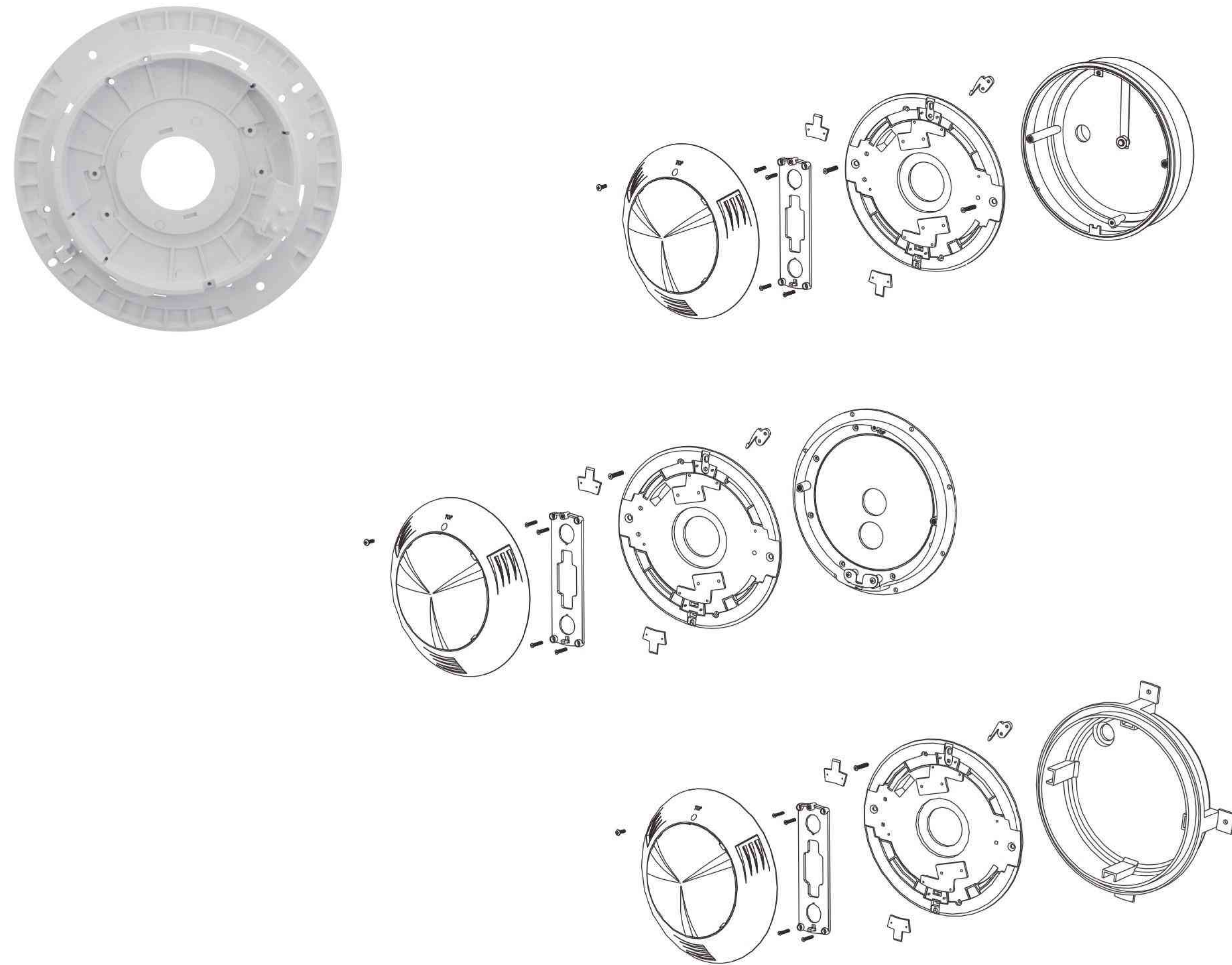
INSTALLATION DRAWING



WL-MD

RETROFIT PLATE

Universal Retrofit Bracker for Niche Lights, fit for most type of niches all over the world.



TECHNICAL DATA

Model	Power (W)	Voltage (V)	LED QTY	Light source	Color	Lumination flux	Installation type
WL-MD-LED162JTB	18W	AC 12-20V	162	Wide voltage	White color	1500	Wall mounted type
WL-MD-LED162JTC	18W	AC 12-20V	162	Wide voltage	RGB	970	Wall mounted type
WL-MD-LED216JTB	24W	AC 12-20V	216	Wide voltage	White color	2150	Wall mounted type
WL-MD-LED216JTC	24W	AC 12-20V	216	Wide voltage	RGB	1500	Wall mounted type
WL-MD-LED018JTB	18W	AC 12V	54	SMD LED	White color	1185	Wall mounted type
WL-MD-LED018JTC	18W	AC 12V	54	SMD LED	RGB	245	Wall mounted type
WL-MD-LED16PC	18W	DC12V	16	SMD LED	RGB+cool white+warm white	1380	Wall mounted type
WL-MD-LED24PC	24W	DC12V	16	SMD LED	RGB+cool white+warm white	1650	Wall mounted type
WL-MD-LED024JTB	24W	AC12V	72	SMD LED	White color	----	Wall mounted type
WL-MD-LED024JTC	24W	AC12V	72	SMD LED	RGB	----	Wall mounted type

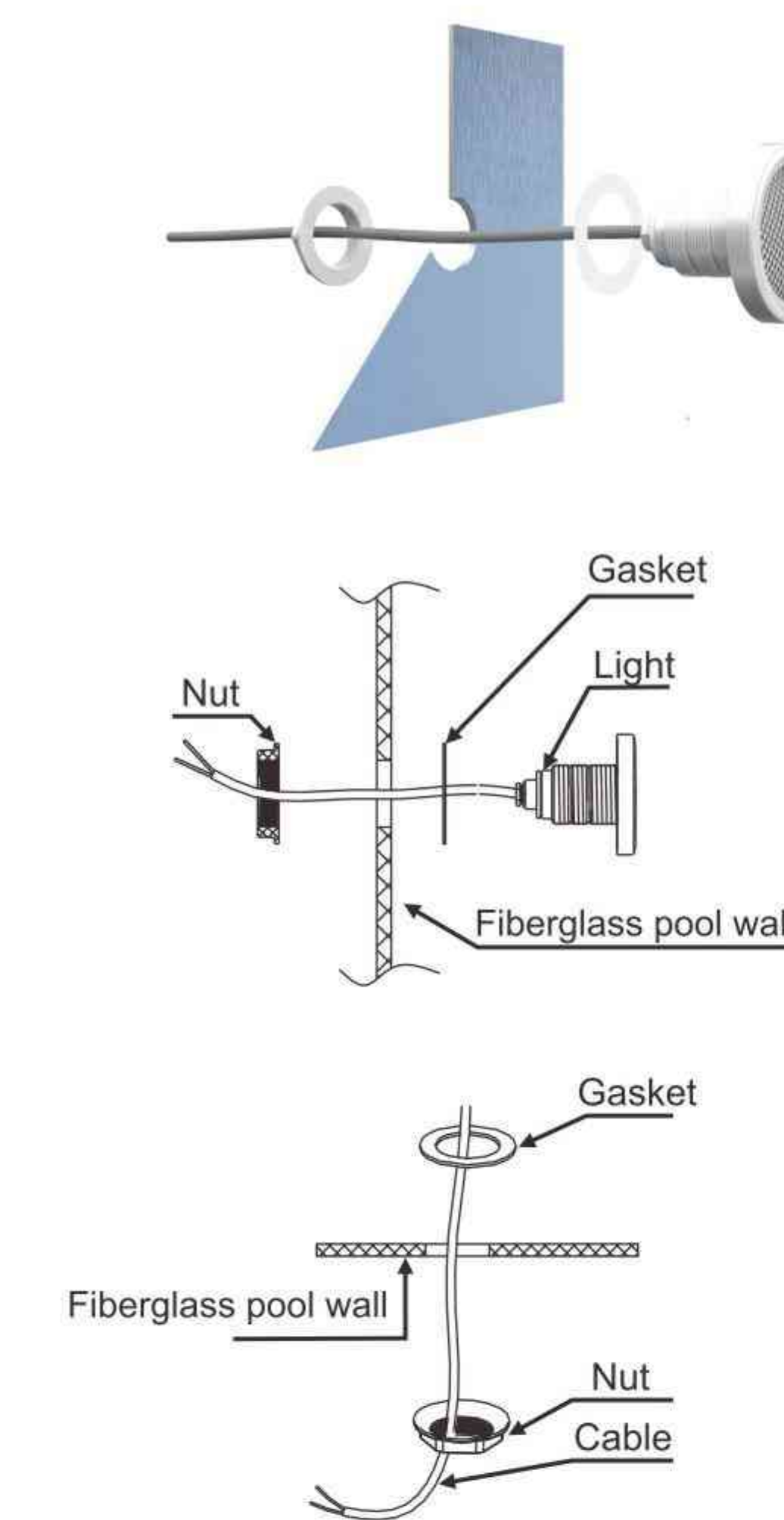
WL-ME

LASWIM ME light with 2" thread coupling is compatible to 2" int.thread wall conduit and pvc pipe. This series light is widely used in different kind pool, spa and water features. Its crystal PC lens improves its corrosion resistance and transparency to a new level.

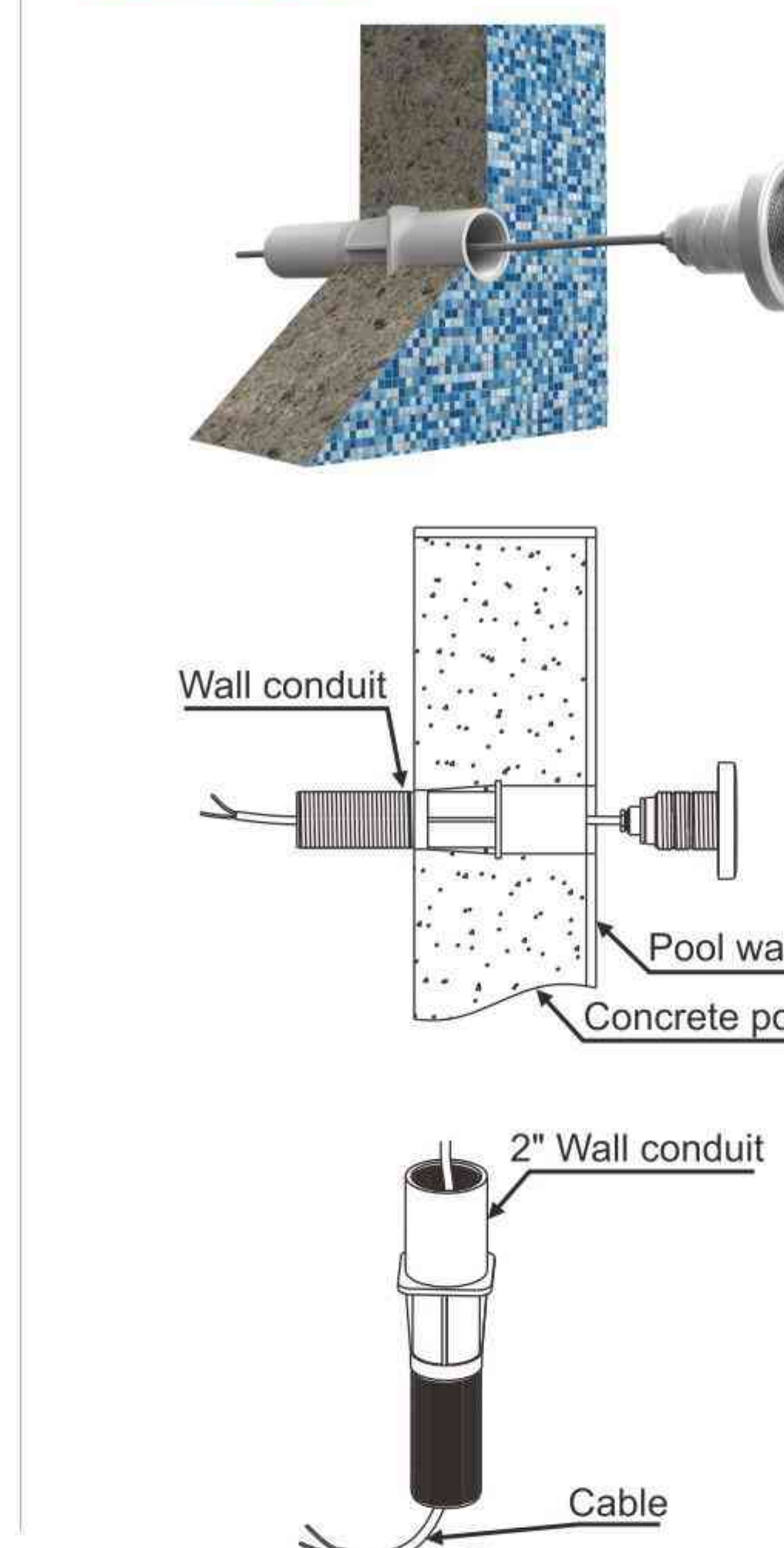
- Code 3040930063 kits for panel pool installation.
- ME light is able to connect to 2" wall conduit directly.
- Code 3040930062 kits for concrete pool with 2" or 63mm pvc pipe.



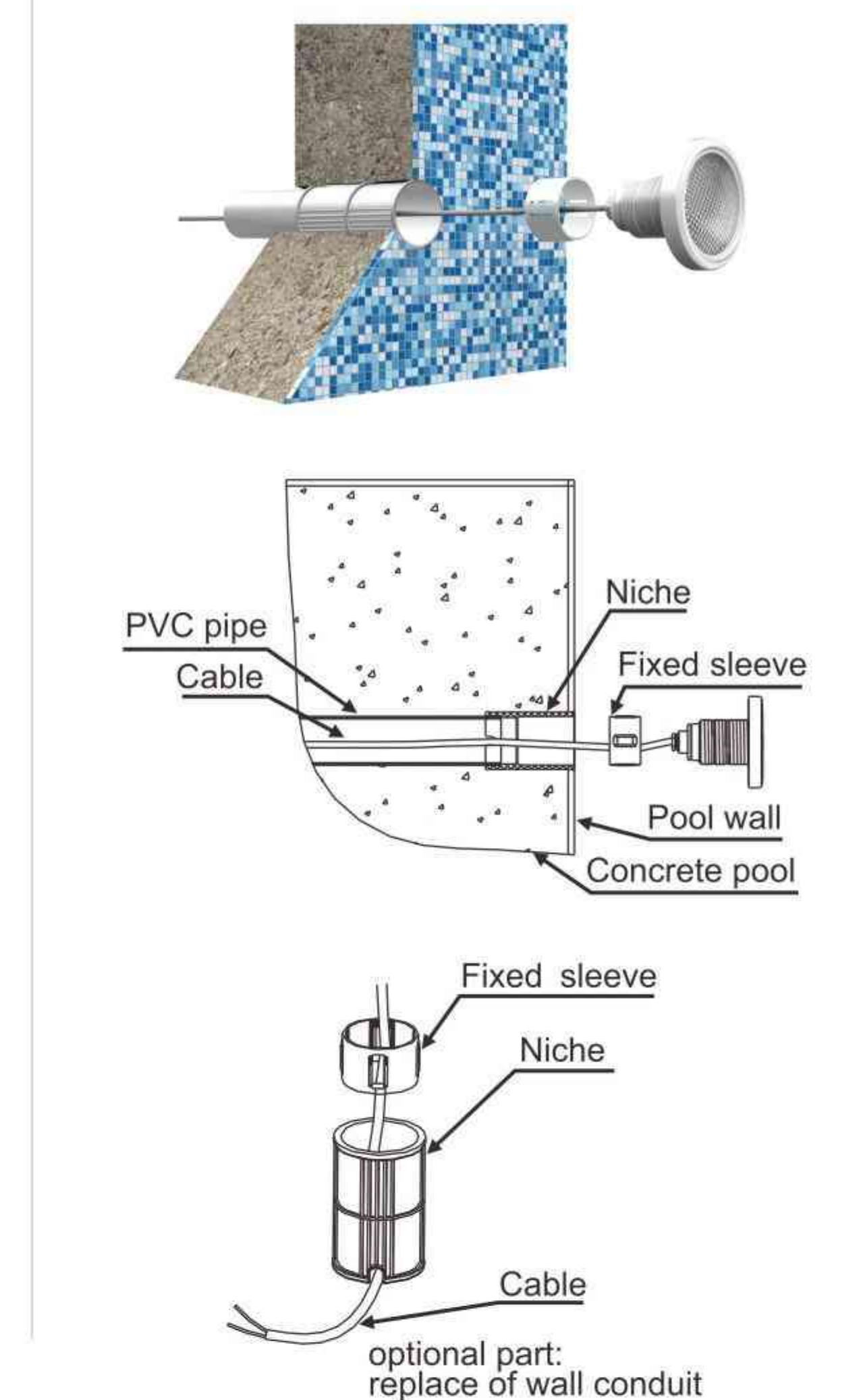
Panel pool installation



Concrete pool installation with wall conduit:



Concrete pool installation to 2"/63mm pipe



TECHNICAL DATA

Model	Power(W)	Voltage(V)	LED QTY	Light source	Color	Lumination flux	Installation type
WL-ME-LED054JTB	6W	12-20V	54	Wide voltage	White color	485	<input type="checkbox"/> for fiberglass pool <input type="checkbox"/> for panel pool <input checked="" type="checkbox"/> for concrete pool
WL-ME-LED054JTC	6W	12-20V	54	Wide voltage	RGB	120	
WL-ME-LED081JTB	9W	12-20V	81	Wide voltage	White color	760	
WL-ME-LED081JTC	9W	12-20V	81	Wide voltage	RGB	200	
WL-ME-LED108JTB	12W	12-20V	108	Wide voltage	White color	1000	
WL-ME-LED108JTC	12W	12-20V	108	Wide voltage	RGB	300	

WL-MF

LASWIM TORCH LED LIGHT

MF series torch led light is with an unique designed and new technology, featuring an innovation, energy efficient and fast cooling. Just need to slip into a standard 1.5" pvc pipe or return fitting, easy and simple operation.

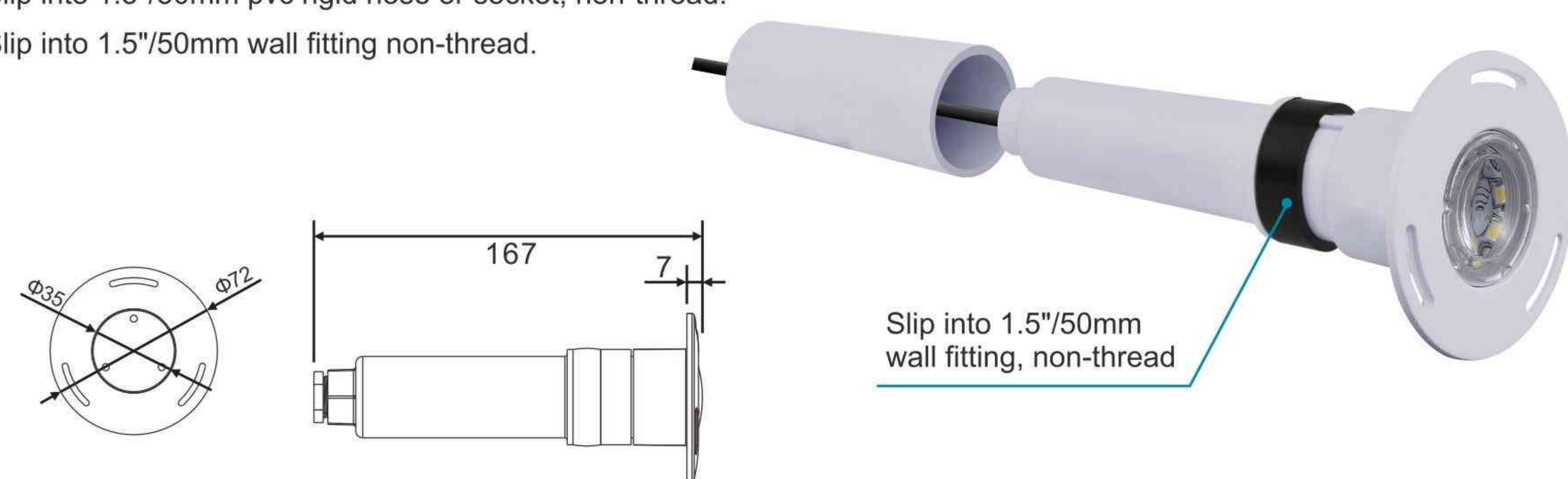


Main features:

- Low wattages but brilliant illumination.
- Low energy consumption.
- Variable voltage range AC12-20V.
- No flicker, high purity, soft light, no glare.
- Multi-color and white color available.
- High brightness (high lumen), strong light transmission.
- IP68 waterproof standard.
- Suitable to small space installation, such as pool step, spa, etc.
- Installation mode: Housing type, slip into 1.5"/50mm wall fitting or pvc pipe.
- Color: cool white, warm white, RGB and single color.

INSTALLATION GUIDANCE

- Slip into 1.5"/50mm pvc rigid hose or socket, non-thread.
- Slip into 1.5"/50mm wall fitting non-thread.

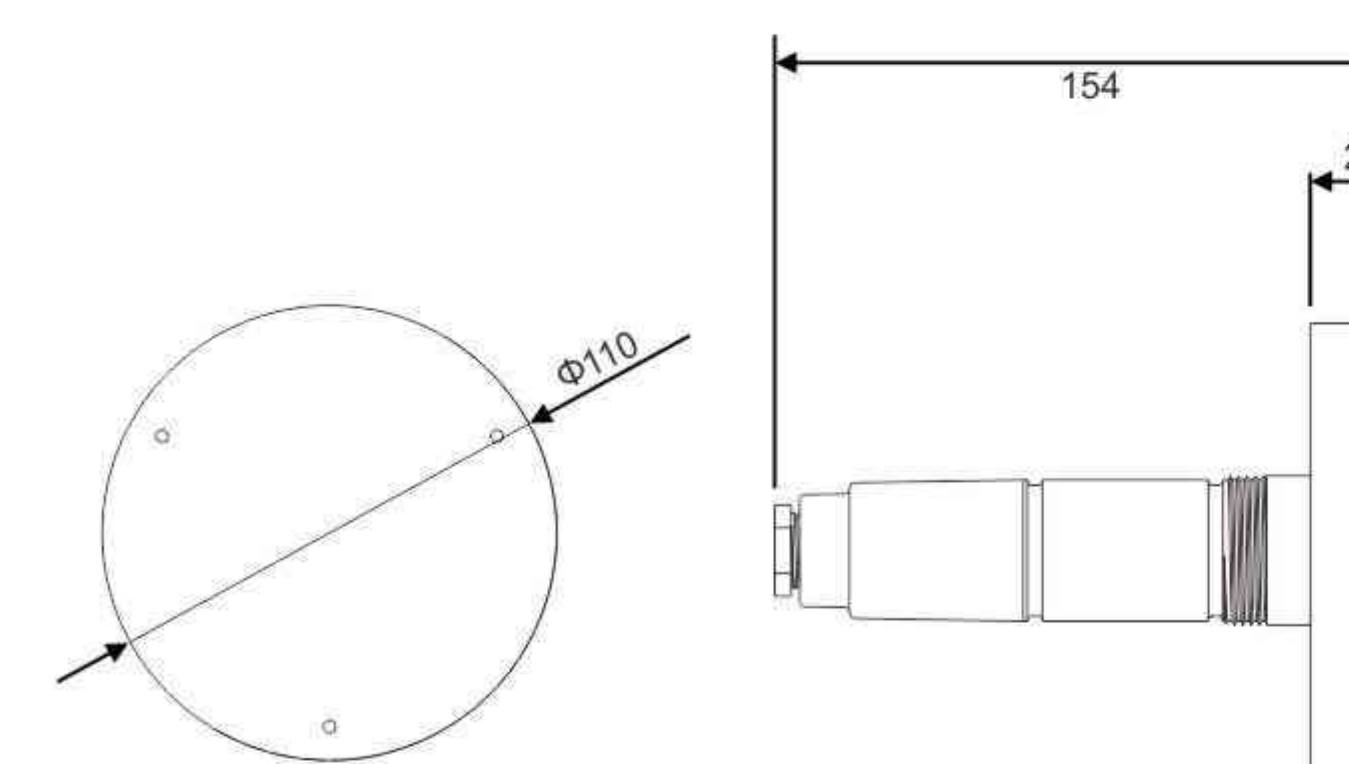


TECHNICAL DATA

Model	Power(W)	Voltage(V)	LED QTY	Light source	Color	Lumination flux	Installation type
WL-MF-LED003PB-C	3W	12-20V	1	Wide voltage	Cool white	180	Directly slip into 1.5" PVC pipe
WL-MF-LED003PB-W	3W	12-20V	1	Wide voltage	Warm white	180	
WL-MF-LED003PC	3W	12-20V	1	Wide voltage	RGB	150	

WL-MG

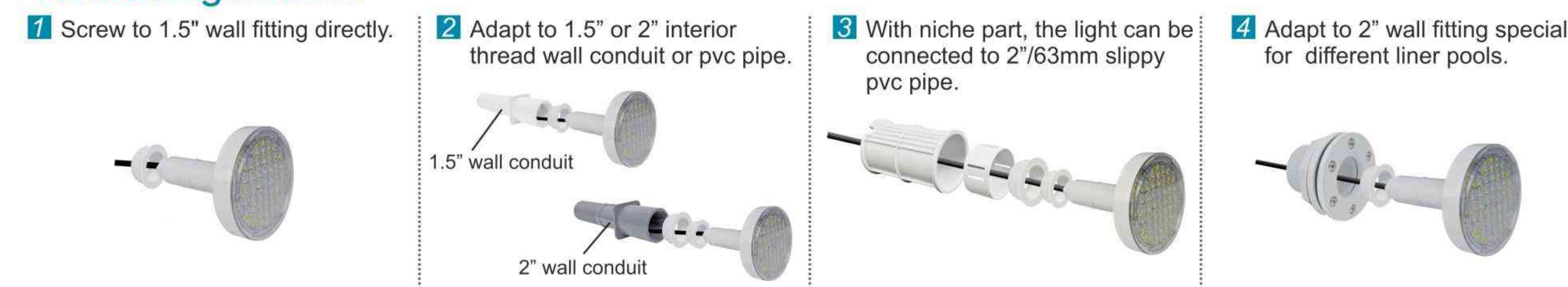
With distinctive design lens, MG light performances extraordinary and gorgeous lighting effect. Its thread is compatible to connect to 1.5" and 2" int. thread wall fitting or wall conduit, very convenient and widely used in all kinds of pools and spas, especial different liner pools.



Main features:

- High quality silicon gasket, it's not easy to age, seepage and leak.
- Variable voltage range AC 12-20V.
- No flicker, high purity, soft light, no glare.
- High brightness (high lumen), strong light transmission.
- Low power consumption, low heat while working.
- IP68 waterproof standard.
- Color: cool white, warm white, RGB & single blue.

Selection guidance



Suitable for all kinds of pools



TECHNICAL DATA

Model	Power (W)	Voltage (V)	LED QTY	Light source	Color	Lumination flux	Installation type
WL-MG-LED054JTB	6W	12-20V	54	Wide voltage	White color	485	<input type="checkbox"/> For fiberglass pool <input type="checkbox"/> For panel pool+liner <input type="checkbox"/> For concrete pool+tile <input type="checkbox"/> For concrete pool+liner
WL-MG-LED054JTC	6W	12-20V	54	Wide voltage	RGB	120	
WL-MG-LED108JTB	12W	12-20V	108	Wide voltage	White color	1000	
WL-MG-LED108JTC	12W	12-20V	108	Wide voltage	RGB	300	

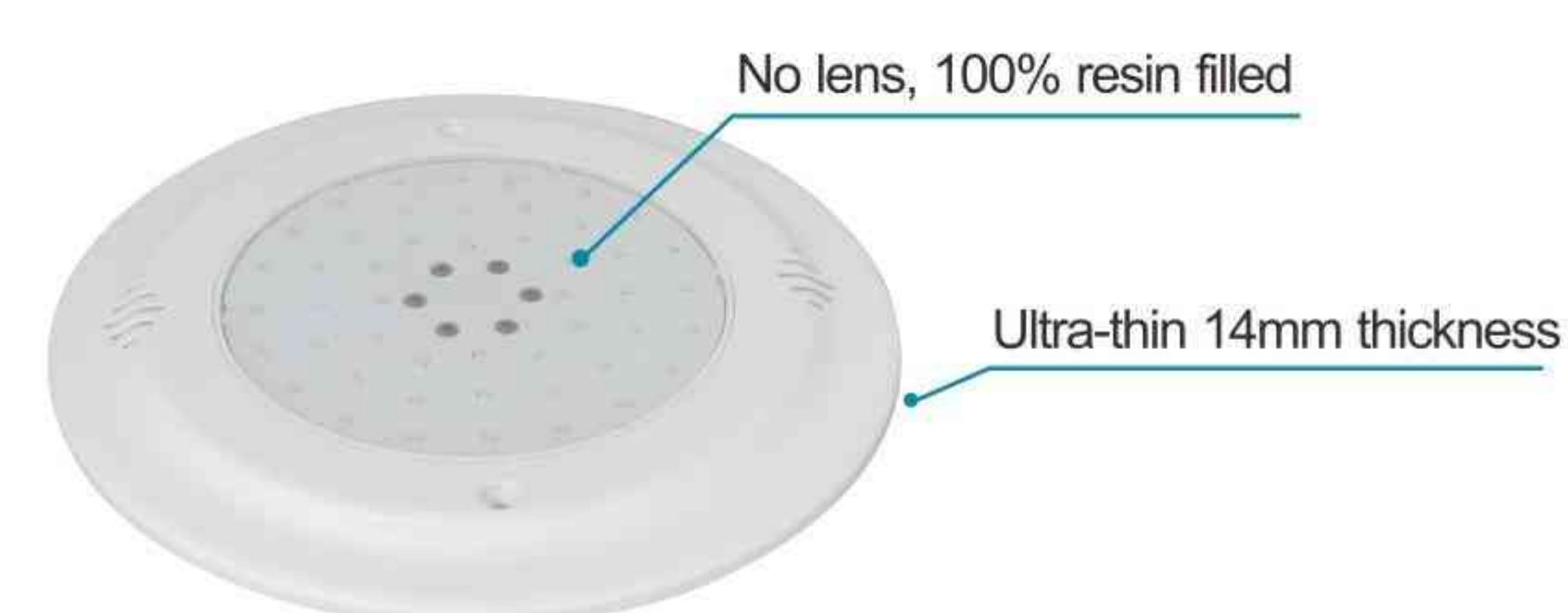
WL-PT

PT Underwater Light – a smart, thin wonder designed to bring intelligence and elegance to your underwater space. With a thin profile of just 14mm, this smart lighting solution exudes elegance. Thanks to the epoxy resin filling process, the internal light not only guarantees high water resistance and efficient heat dissipation, but is also compatible with all types of swimming pool installations.



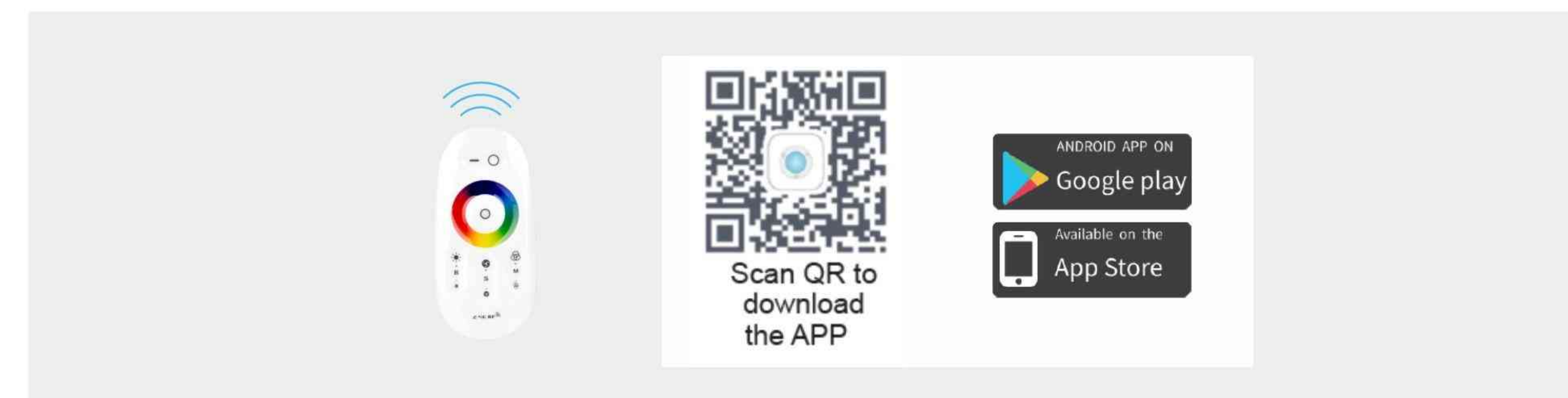
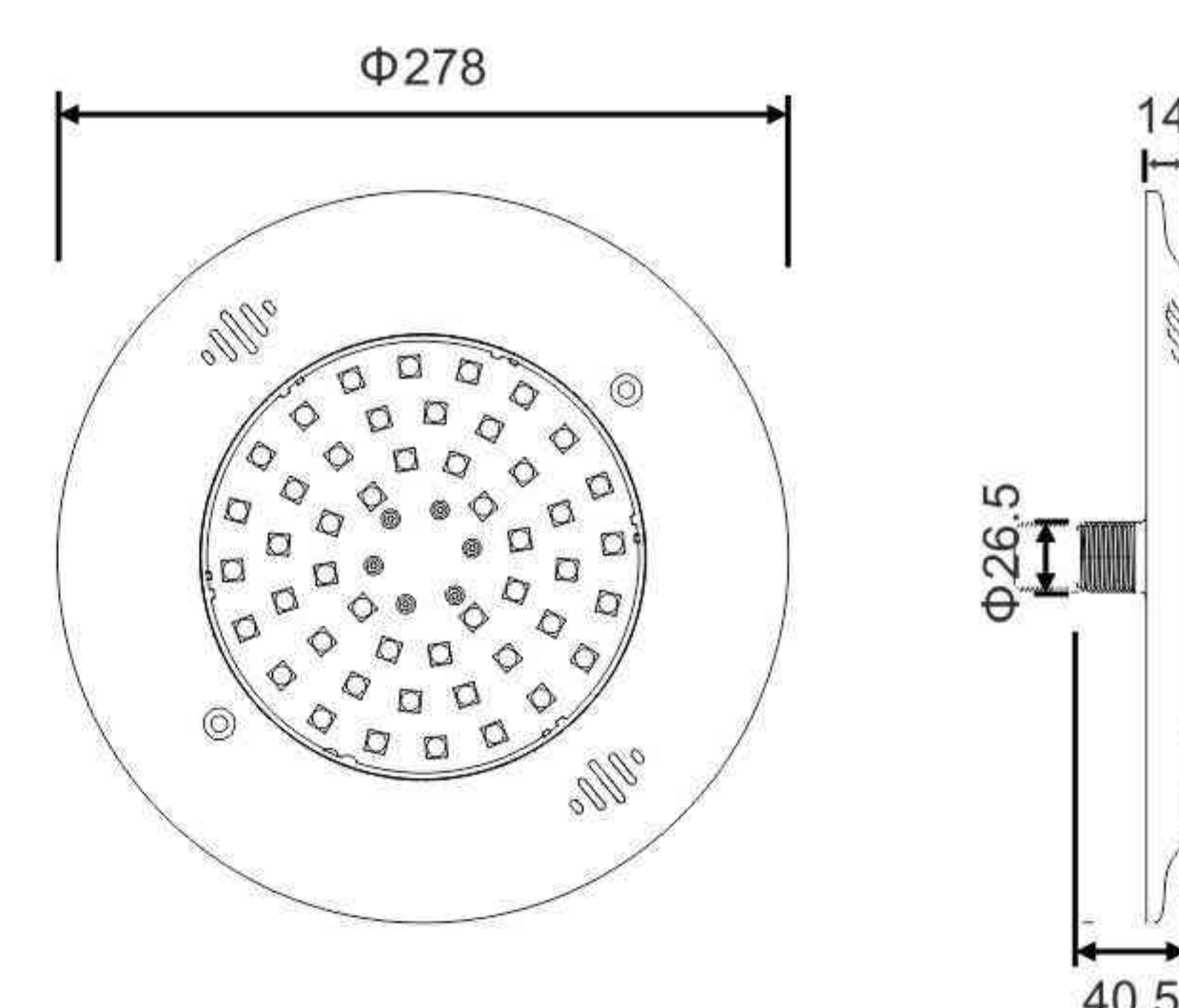
Main features:

- Wide beam angle up to 130° to avoid glare.
- Constant current driving mode.
- Supports AC12V/DC12-24V safe low-voltage power supply, providing you with stronger selectivity and wider adaptability.
- Lifespan: 50,000 hours.
- Operating temperature: 0-45°C.
- Color rendering index: 80.
- Face ring: ABS/Stainless steel 304.



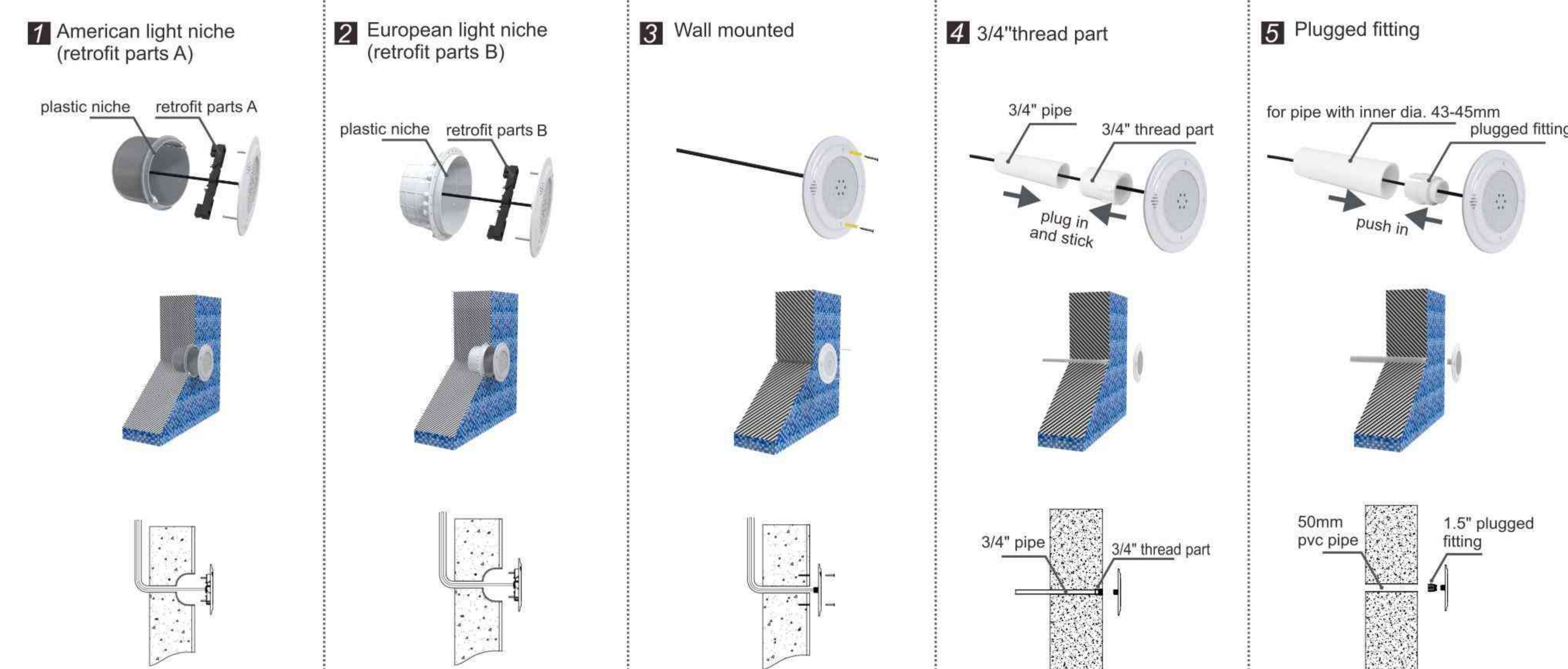
RGB control method

- WL-APLU-DW control system: control panel+remote controller, Wifi 2.4G, 433 MHZ (12V/AC or 12-24V/DC power input).
- WL-APLU-DW-PRO control system: Wifi+App control, you can adjust the brightness, working mode, timing setting, color change through the mobile phone, and the light color changes with the rhythm of the music. (Compatible with Android and iOS systems).
- ON/OFF control: (12V/AC power input).
- WL-YAQ control: with remote controller(12V/AC power input).



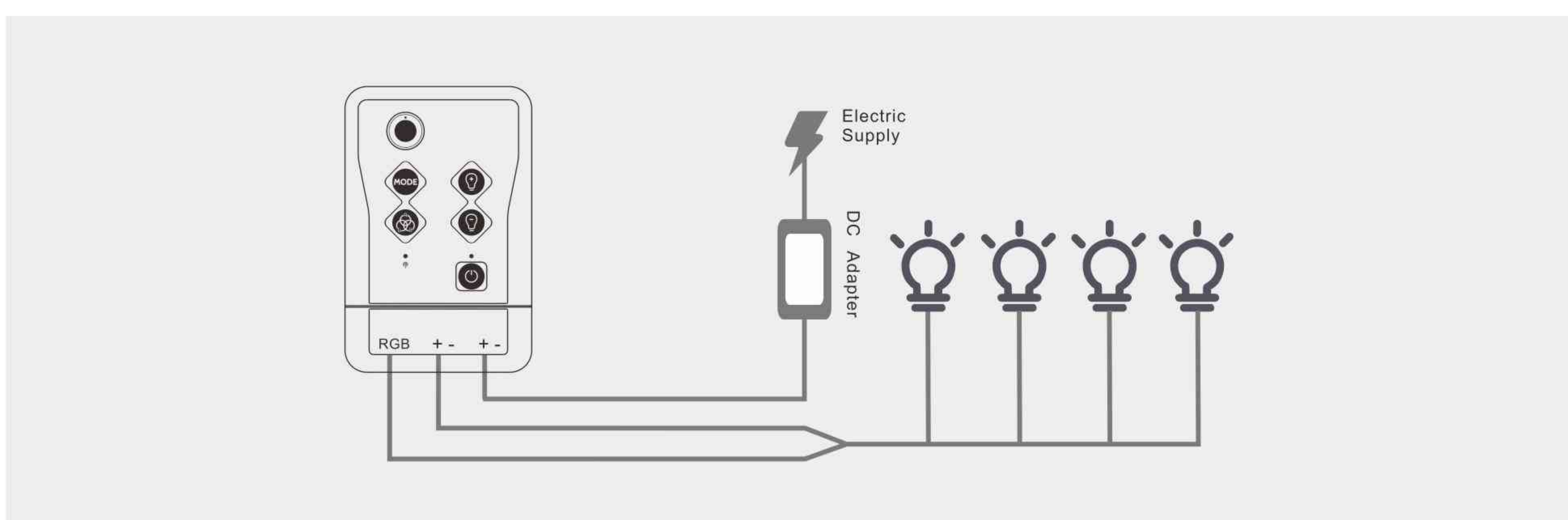
Installation method

- Wall-mounted with kit.
- Retrofit parts for niche light, fit for European or American niche.



TECHNICAL DATA

Model	Power(W)	Voltage(V)	LED QTY	Light source	Colour	Lumination flux	Installation type
WL-PT-024JTB	24W	AC12V/DC12-24V	48	SMD LED	Cool/Warm white	1750	<input type="checkbox"/> Wall mounted with kit. <input type="checkbox"/> With retrofit for niche. <input type="checkbox"/> Recessed with kit.
WL-PTS-024JTB (SS face ring)	24W	AC12V/DC12-24V	48	SMD LED	Cool/Warm white	1750	
WL-PT-024JTC	24W	AC12V/DC12-24V	48	SMD LED	RGB	980	
WL-PTS-024JTC (SS face ring)	24W	AC12V/DC12-24V	48	SMD LED	RGB	980	



WL-LA



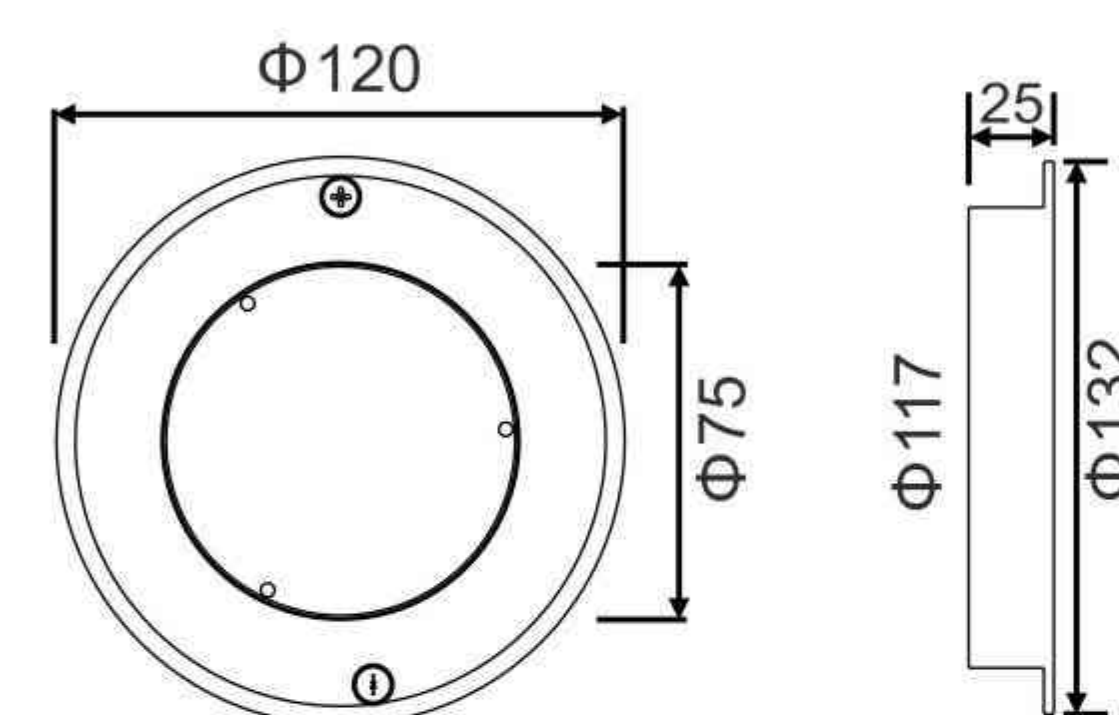
Main features:

- Ultra-thin design, perfectly integrated with the pool wall.
- Very convenient installation, directly insert into 3/4" pipe or 1.5" water inlet.
- Four-core wire stepless dimming remote control technology can achieve hundreds of color changes.
- Suitable for all kinds of pools using.



TECHNICAL DATA

Model	Power (W)	Voltage (V)	LED QTY	Light source	Color	Lumination flux	Installation type
WL-LA-LED063JTB	6W	AC/DC 12V	63	SMD LED	Cool white	483	Wall mounted & Wall Recessed
WL-LA-LED063JTW	6W	AC/DC 12V	63	SMD LED	Warm white	483	
WL-LA-LED063JTC	6W	AC/DC 12V	63	SMD LED	RGB	155	



WL-LAS

Features:

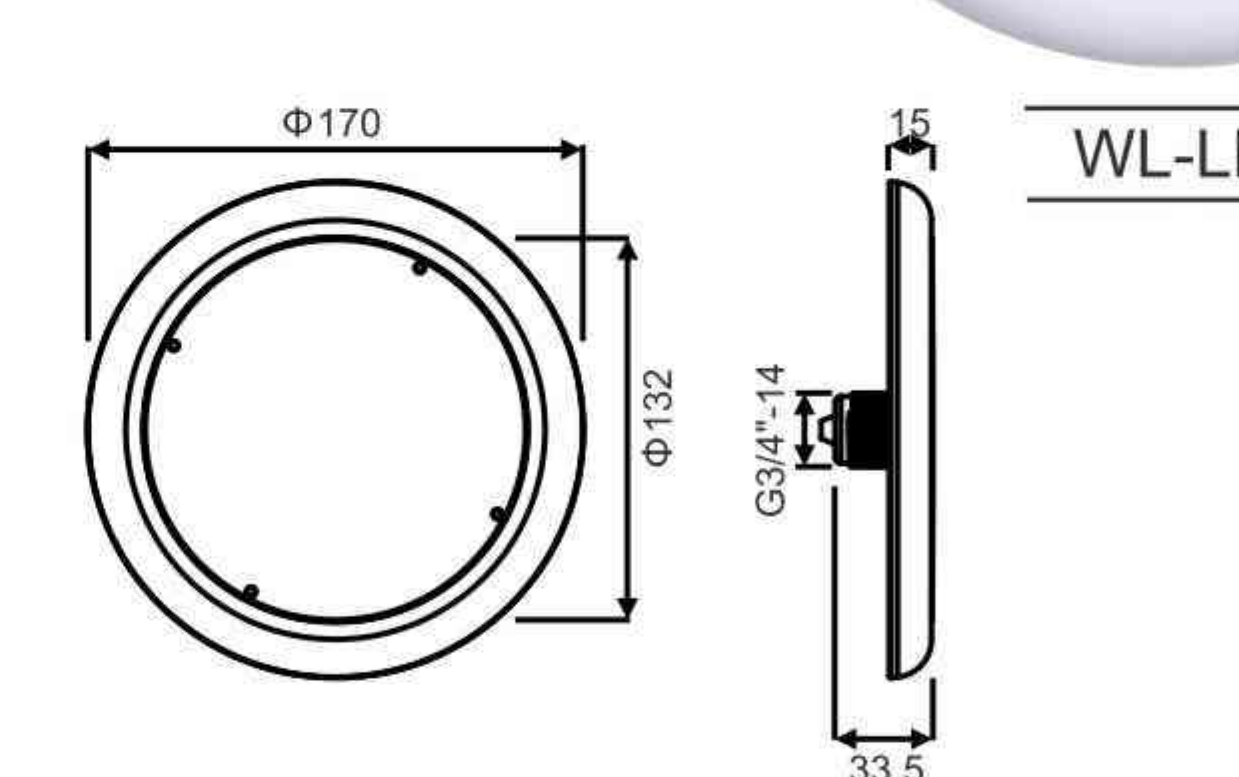
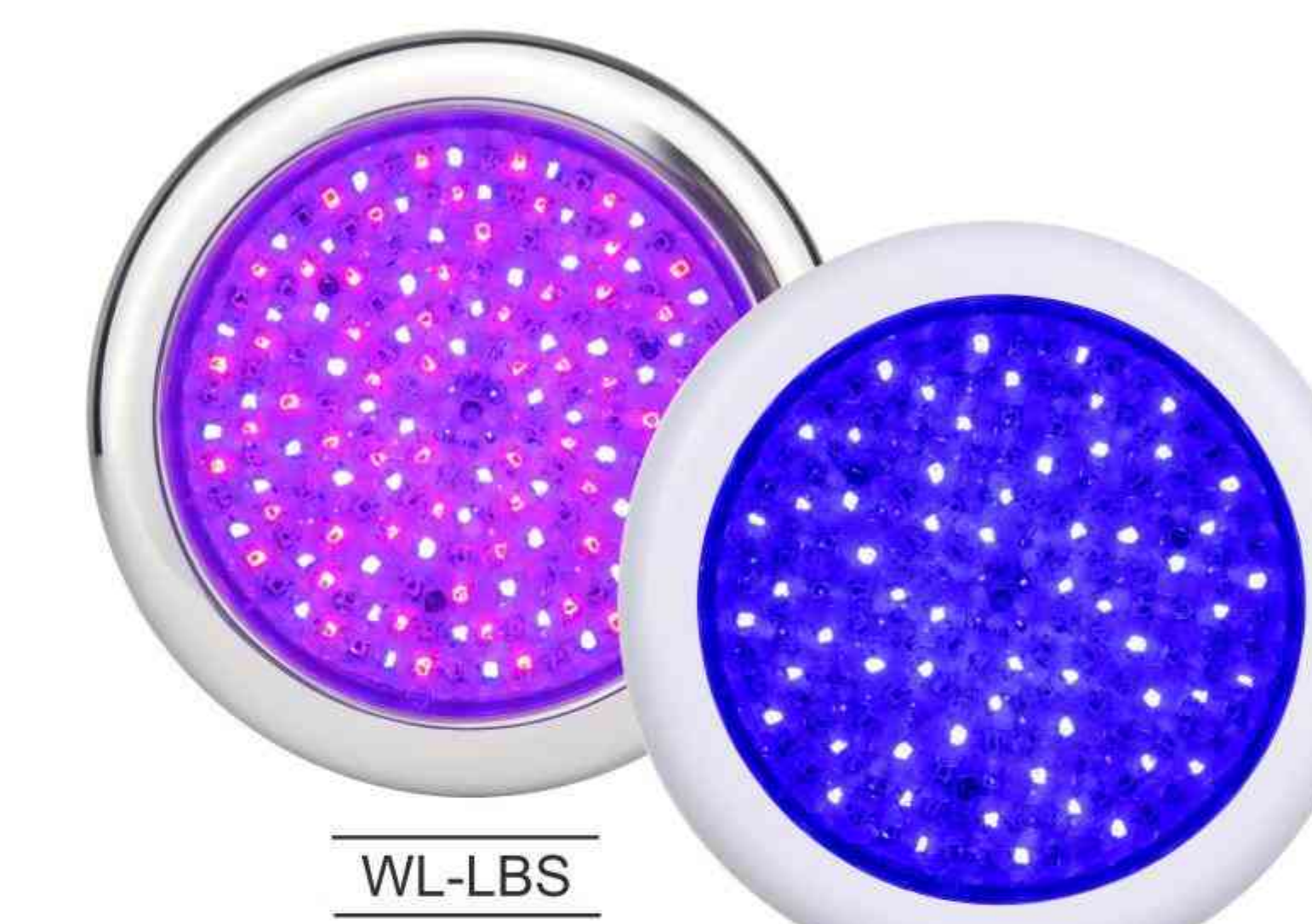
- Ultra-thin design, perfectly integrated with the pool wall, only 3mm away from pool wall.
- The recessed light housing can be directly embedded into the decorative layer of the pool wall, 25mm only.
- Default 9-color mode: It's available to work with normal switch AC12V, Laswim YAQ control system and Applume APLU-DW control system with wifi 2.4G, 433MHz wireless high frequency technology.
- Stainless steel 304 light, corrosion resistant, plastic niche.
- Safety low voltage: AC12V, or DC12V for customized.
- Waterproof standard: IP68.
- 2 meters cable.



TECHNICAL DATA

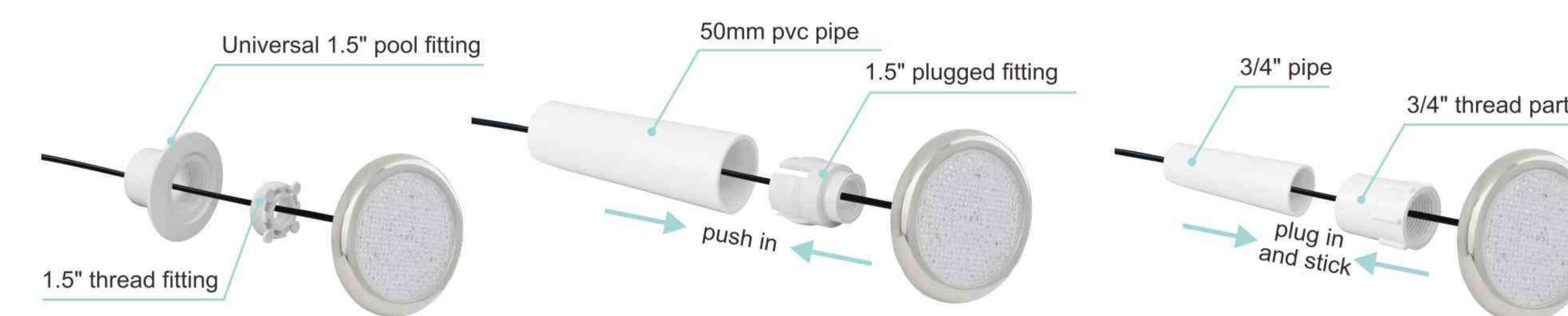
Model	Power (W)	Voltage (V)	LED QTY	Color	Lumination flux
WL-LAS-LED009JTBS	9	AC12V	63	White	980
WL-LAS-LED009JTCS	9	AC12V	63	RGB	270
WL-LAS-LED012JTBS	12	AC12V	63	White	1200
WL-LAS-LED012JTCS	12	AC12V	63	RGB	360
WL-LAS-LED015JTBS	15	AC12V or DC12V	3	White	1300
WL-LAS-LED015JTCS	15	AC12V or DC12V	3	RGB	390

WL-LB/LBS



Features:

- Ultra-thin design, perfectly integrated with the pool wall.
- The 3/4" thread allows you to easily install it into different types of pools.
- Safety low voltage: 12VAC, DC12-24V.
- Color rendering index up to 84, high light efficiency and high light color consistency.
- Default 9-color mode: It's available to work with normal switch 12Vac, Laswim YAQ control system and Applume APLU-DW control system with wifi 2.4G, 433MHz wireless high frequency technology.
- Plastic face ring and stainless steel face ring are available.
- Light beam: 120°.
- The average LED life span exceeds 50,000 hours.
- Protection rating: IP68.
- 3 meters cable.
- Operating Temperature: Up to 45°C.

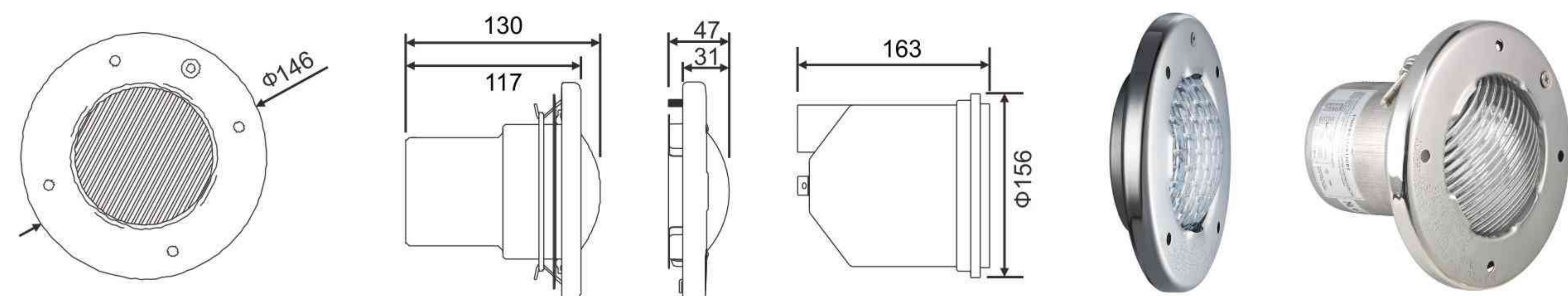


TECHNICAL DATA

Model	Power (W)	Voltage (V)	LED QTY	Light source	Color	Luminous flux	Installation type
WL-LB-LED009JTB	9W	AC12V / DC12-24V	117	SMD LED	WHITE	973	<input type="checkbox"/> Wall mounted <input checked="" type="checkbox"/> wall recessed
WL-LB-LED009JTC	9W	AC12V	117	SMD LED	RGB	500	
WL-LB-LED012JTB	12W	AC12V / DC12-24V	117	SMD LED	WHITE	1182	
WL-LB-LED012JTC	12W	AC12V	117	SMD LED	RGB	600	
WL-LB-LED018JTB	18W	AC12V / DC12-24V	171	SMD LED	WHITE	1729	
WL-LB-LED018JTC	18W	AC12V	171	SMD LED	RGB	900	
WL-LBS-LED009JTB	9W	AC12V / DC12-24V	117	SMD LED	WHITE	973	
WL-LBS-LED009JTC	9W	AC12V	117	SMD LED	RGB	500	
WL-LBS-LED012JTB	12W	AC12V / DC12-24V	117	SMD LED	WHITE	1182	
WL-LBS-LED012JTC	12W	AC12V	117	SMD LED	RGB	600	
WL-LBS-LED018JTB	18W	AC12V / DC12-24V	171	SMD LED	WHITE	1729	
WL-LBS-LED018JTC	18W	AC12V	171	SMD LED	RGB	900	

WL-QB

QB series features stainless steel material, non-corrosive and well cooling operation, tempered glass lens increase transparency and compatible to American and European niches. It's very simple to install in concrete pool.



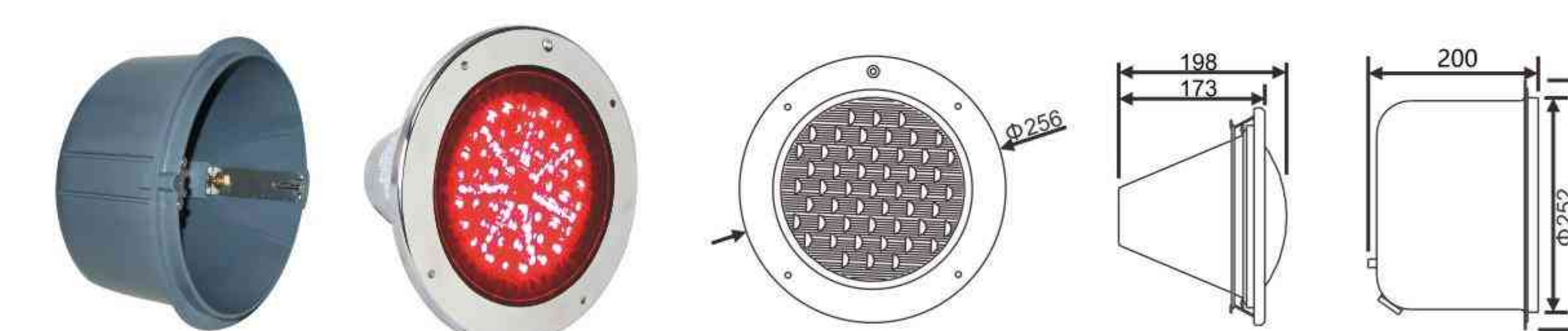
TECHNICAL DATA

Model	Power (W)	Voltage (V)	LED QTY	Light source	Color	Lumination flux	Installation type
WL-QB-LED108JTB	12W	12-20V	108	Wide voltage	White color	2150	Housing type
WL-QB-LED108JTC	12W	12-20V	108	Wide voltage	RGB	1500	Housing type
WL-QBG-LED012PB	12W	12V	12	Resin filled	White color	885	Housing type
WL-QBG-LED012PC	12W	12V	12	Resin filled	RGB	200	Housing type
WL-QBG-LED072TB	6W	12V	72	Resin filled	White color	255	Housing type
WL-QBG-LED072TC	6W	12V	72	Resin filled	RGB	90	Housing type
WL-QBG-LED144TB	12W	12V	144	Resin filled	White color	455	Housing type
WL-QBG-LED144TC	12W	12V	144	Resin filled	RGB	110	Housing type
WL-QB-LED072BB	6W	12V	72	Standard DIP LED	White color	150	Housing type
WL-QB-LED072BC	6W	12V	72	Standard DIP LED	RGB	88	Housing type
WL-QB-LED009PB	9W	12V	9	High power	White color	580	Housing type
WL-QB-LED009PC	9W	12V	9	High power	RGB	130	Housing type
WL-QB-LED012PB	12W	12V	12	High power	White color	885	Housing type
WL-QB-LED012PC	12W	12V	12	High power	RGB	200	Housing type
WL-QBP100	100W	12V	E27 light bulb, tempered glass lens		----	----	Housing type
WL-QBC100	100W	12V	Lamp cup, tempered glass lens		----	----	Housing type

WL-QD

Main features:

- Material: stainless steel, non-corrosive.
- Tempered glass lens increases transparency.
- High efficient, low heat LED board and control board, low power consumption.
- Compatible to American and European niches.
- Different lamp available: LED lamp and E27 bulb.



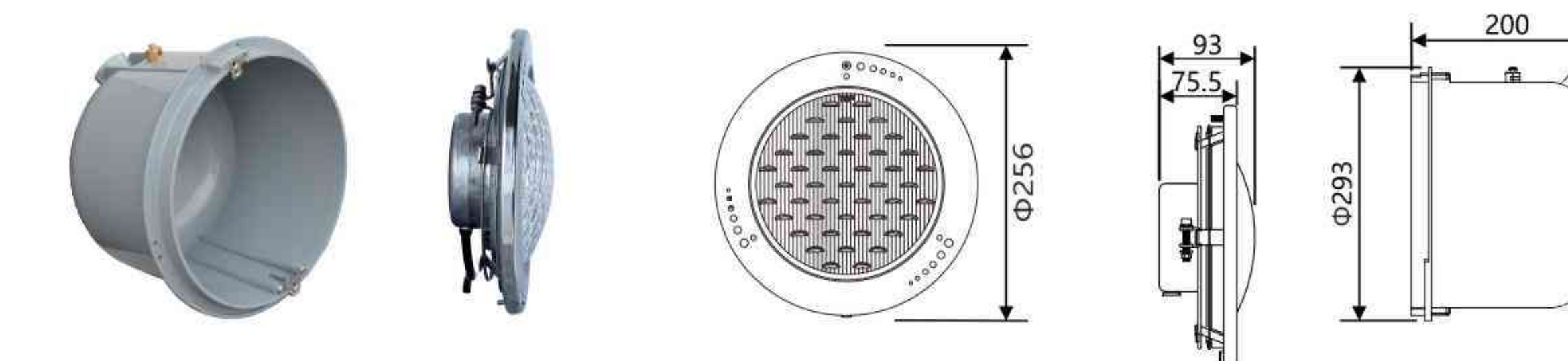
TECHNICAL DATA

Model	Power(W)	Voltage(V)	LED QTY	Light source	Color	Lumination (lux)	Installation type
WL-QD-LED144BB	12W	AC 12V	144	Standard DIP LED	White color	302	Housing type
WL-QD-LED144BC	12W	AC 12V	144	Standard DIP LED	RGB	168	Housing type
WL-QD-LED252BB	18W	AC 12V	252	Standard DIP LED	White color	530	Housing type
WL-QD-LED252BC	18W	AC 12V	252	Standard DIP LED	RGB	257	Housing type
WL-QDP300	300W	AC 12V	E27 bulb, toughened glass		----	----	Housing type

WL-QG

LASWIM QG series light is a high power series light, and features stainless steel material with good heat dissipation and tempered glass lens to increase transparency and super brightness. There are different lamp sources available: variable voltage LED lamp, DIP LED lamp and SMD led lamp.

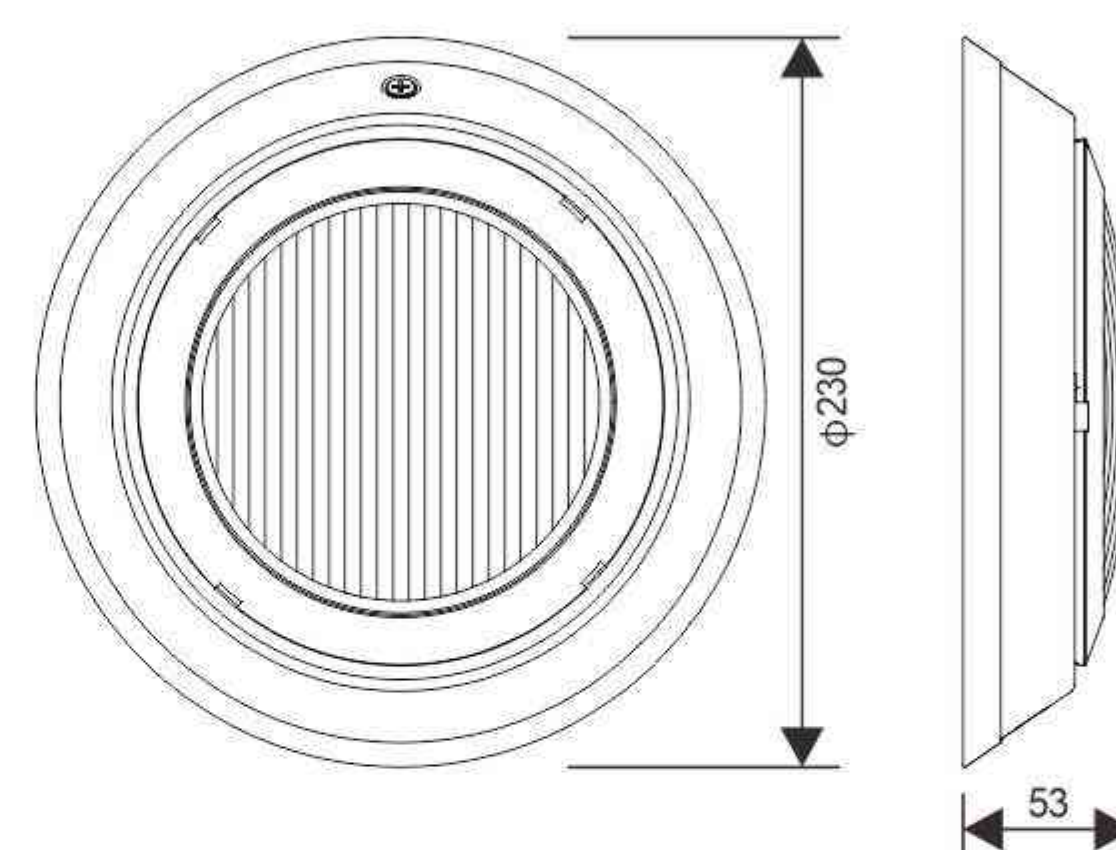
Compatible to American and European niches.



TECHNICAL DATA

Model	Power(W)	Voltage(V)	LED QTY	Light source	Color	Lumination flux	Installation type
WL-QGB-LED216JTB	24W	AC 12-20V	216	Wide voltage	White color	1420	Housing type
WL-QGB-LED216JTC	24W	AC 12-20V	216	Wide voltage	RGB	522	Housing type
WL-QGB-LED012PB	12W	AC 12V	12	High power	White color	885	Housing type
WL-QGB-LED012PC	12W	AC 12V	12	High power	RGB	200	Housing type
WL-QGB-LED024PB	24W	AC 12V	24	High power	White color	1300	Housing type
WL-QGB-LED024PC	24W	AC 12V	24	High power	RGB	352	Housing type
WL-QGB-LED036PB	36W	AC 12V	36	High power	White color	1395	Housing type
WL-QGB-LED036PC	36W	AC 12V	36	High power	RGB	410	Housing type
WL-QGB-LED024JTB	24W	AC 12V	72	SMD LED	White color	1240	Housing type
WL-QGB-LED024JTC	24W	AC 12V	72	SMD LED	RGB	375	Housing type

WL-PE-HC / WL-PE-HT



Product Features

- **Classic Wall-Mounted Design:**

Features a proven and reliable wall-mounted structure. It is easy to install without pre-embedding, offering robust construction, long-term durability, and a clean, elegant appearance.

- **Stainless Steel Body with High-Strength PC Lens:**

The light body is made of high-quality stainless steel, ensuring sturdiness and corrosion resistance. Paired with a high-strength polycarbonate (PC) lens, it delivers excellent light transmission properties.

- **Renewed Underwater Lighting Visuals:**

Equipped with new-generation RGB 3-in-1 high-efficiency LED chips for synchronized and uniform illumination. Overall brightness is significantly improved, RGB light efficiency increased by 30%, delivering vivid and saturated colors; white light efficiency increased by 60%, ensuring bright and clear underwater illumination.

- **Stable and Outstanding Light Performance:**

The new light source offers improved stability in luminescence uniformity and color rendition. Color appears purer, significantly enhancing the overall quality of underwater illumination.

- **Efficient AC/DC Power Supply for Enhanced Stability (Smart Model):**

Supports both AC and DC power input and is compatible with a wide voltage range of 12V-24V. Adopts a constant-current drive design for higher energy efficiency, lower power loss, and more stable, reliable performance.

- **Upgraded Smart Control with More Stable Signals (Smart Model):**

Compatible with the Applume Plus-D smart controller, which uses a wired signal connection between the underwater light and the controller for enhanced signal stability. The smart controller supports Wi-Fi connectivity and works with the Tuya App to enable multiple lighting modes and intelligent control experience.

- **Flexible Control Solution with Upgrade Compatibility (Standard Model):**

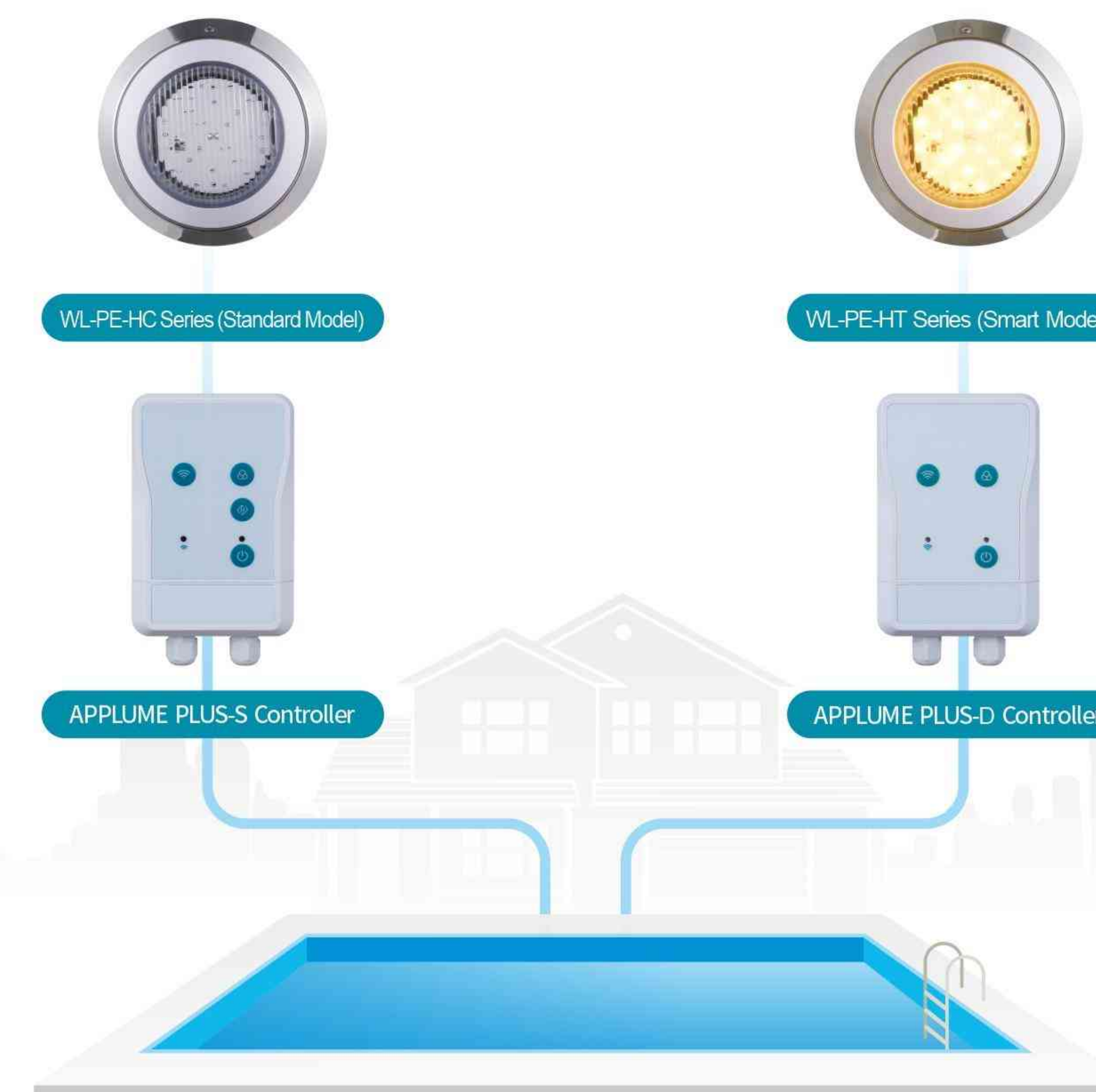
Operates on 12V AC power with constant-current drive, and is compatible with previous-generation lighting control boxes and the Applume Plus-S. Supports remote control for turning lights on/off and synchronized underwater lighting control. When paired with the Applume Plus-S, it enables Wi-Fi connectivity for app and Tuya cloud-based control, timer settings, and scene automation, offering more flexible application and more reliable operation.

- **Versatile Application:**

Suitable for both basic underwater lighting and smart control scenarios, supports synchronized lighting of multiple lamps, and allows flexible selection based on actual needs.

- **High Protection Rating and Safety Low-Voltage Design:**

Meets IP68 protection rating and Class III electrical safety standards, ensuring safe and reliable operation.

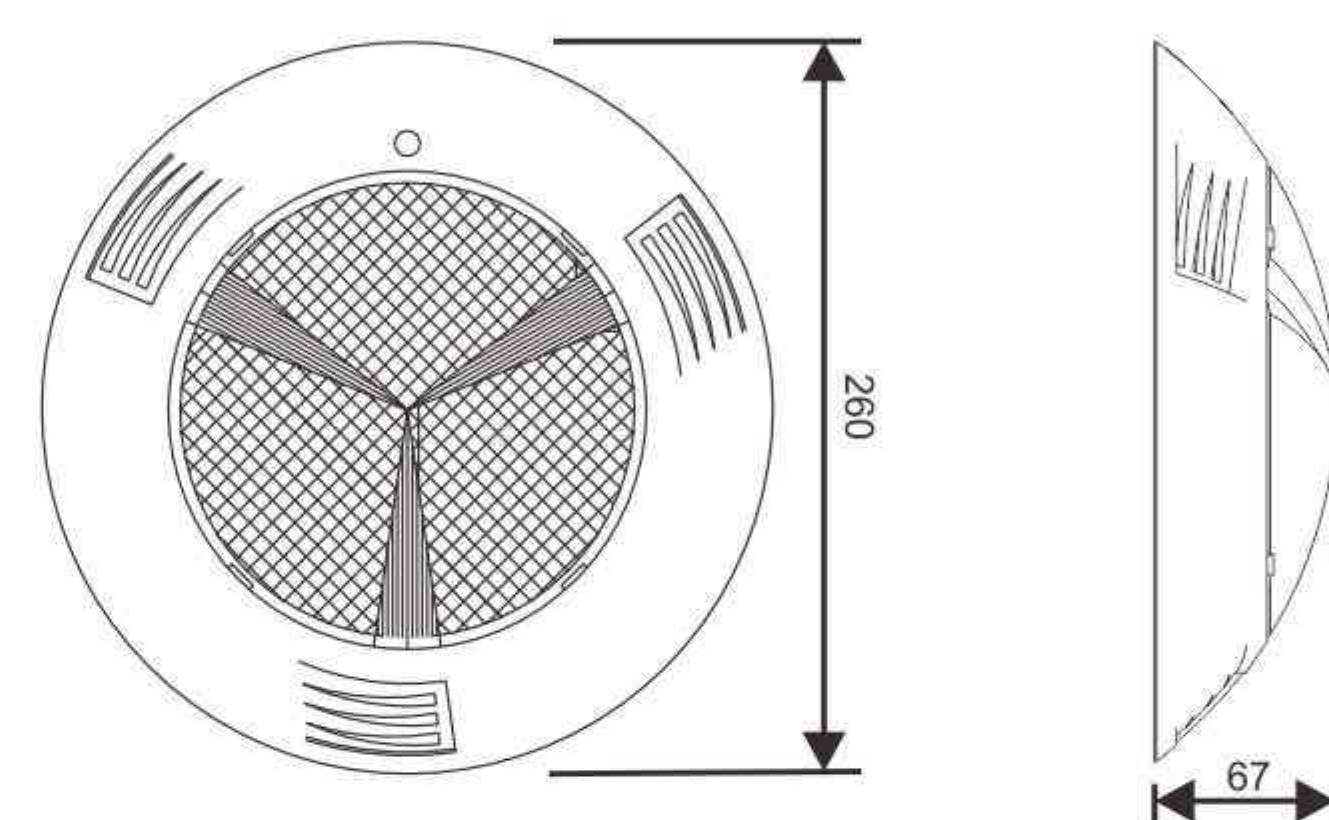


Technical Specifications

Standard Model	Power (W)	Voltage (V)	LED QTY	Color	Color Temperature	Luminous Flux (lm)
WL-PE-HC-0630T	6	AC12V	12	RGB	—	250
WL-PE-HC-0630B6	6		12	Cool White	6500K	700
WL-PE-HC-1230T	12		18	RGB	—	500
WL-PE-HC-1230B6	12		18	Cool White	6500K	1400
WL-PE-HC-1830T	18		24	RGB	—	750
WL-PE-HC-1830B6	18		24	Cool White	6500K	2100

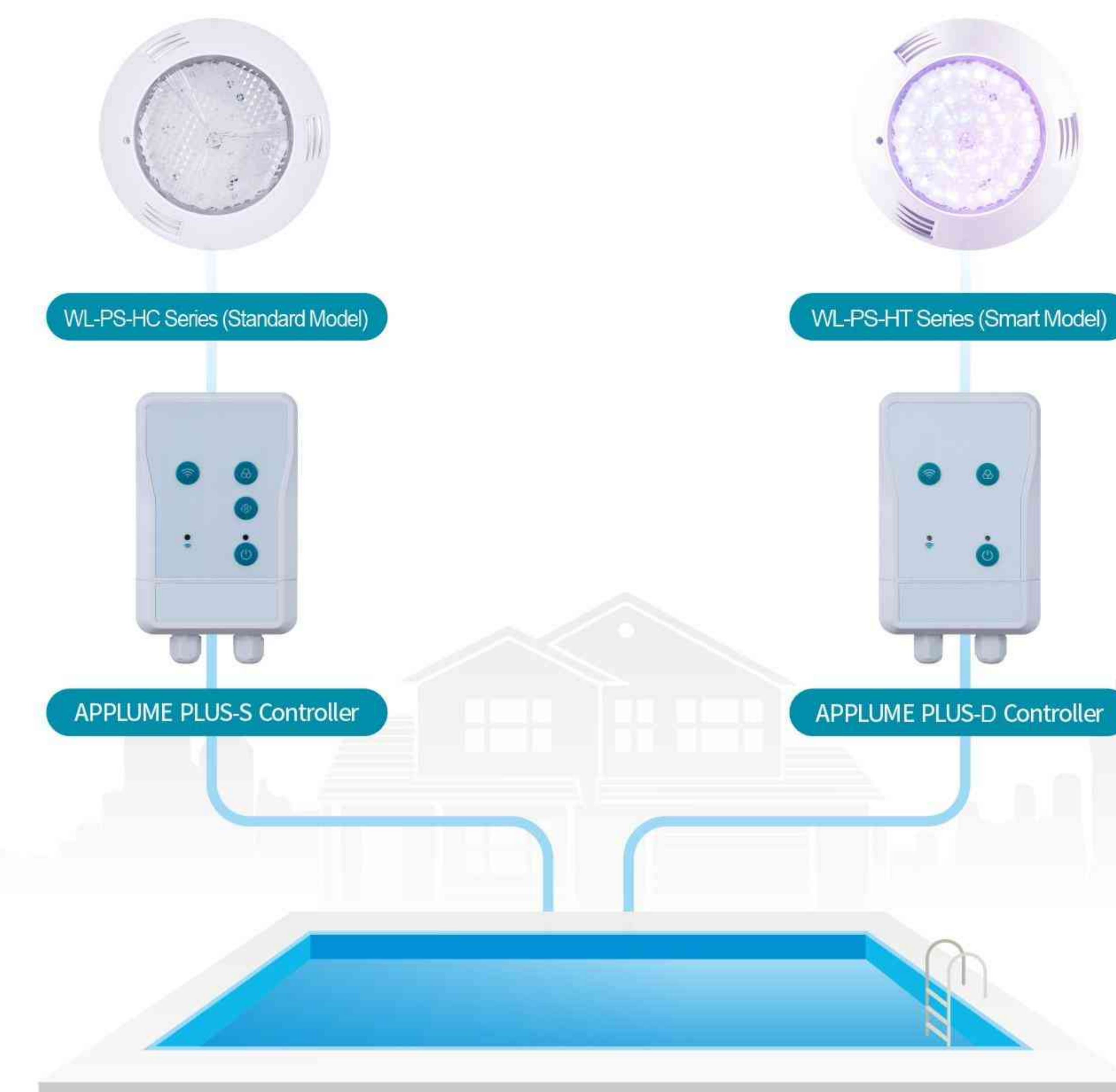
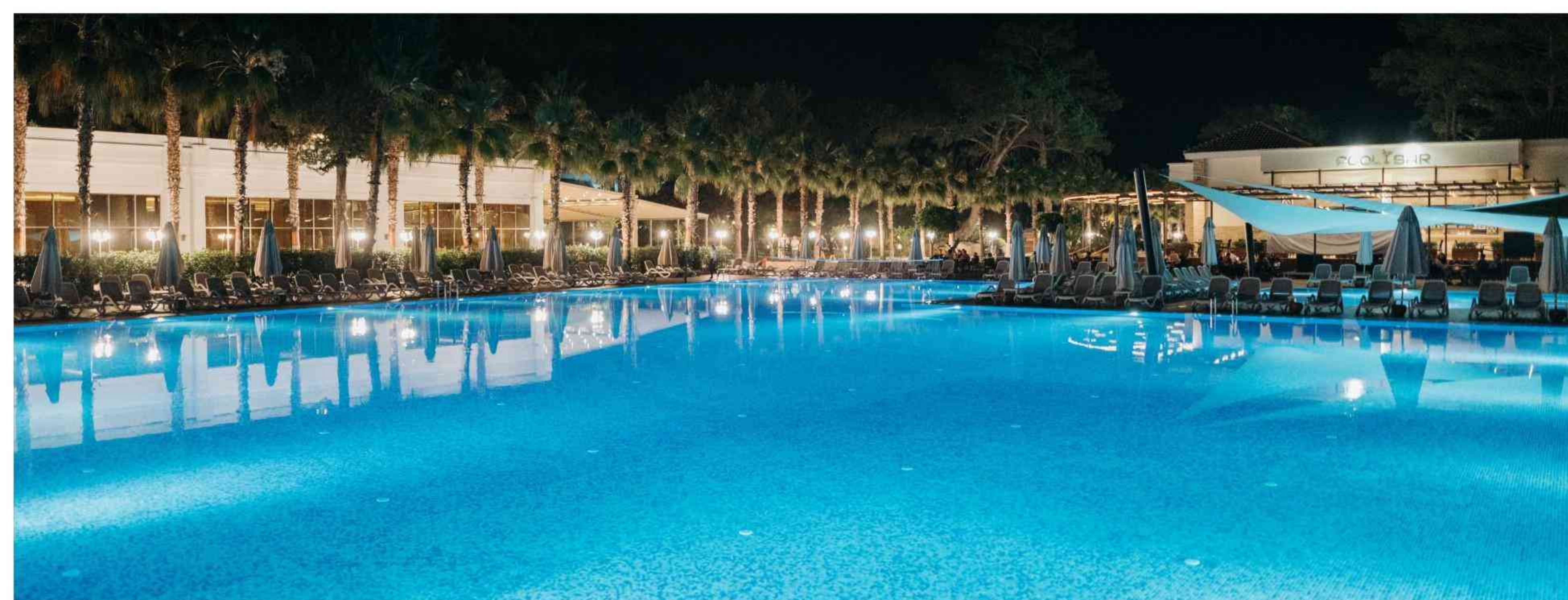
Smart Model	Power (W)	Voltage (V)	LED QTY	Color	Color Temperature	Luminous Flux (lm)
WL-PE-HT-0630T	6	DC12-24V	12	RGB	—	250
WL-PE-HT-0630B6	6		12	Cool White	6500K	700
WL-PE-HT-1230T	12		18	RGB	—	500
WL-PE-HT-1230B6	12		18	Cool White	6500K	1400
WL-PE-HT-1830T	18		24	RGB	—	750
WL-PE-HT-1830B6	18		24	Cool White	6500K	2100

WL-PS-HC / WL-PS-HT



Product Features

- Plastic Wall-Mounted:**
easy to install, suitable for various pool applications.
- Enhanced Underwater Lighting Experience:**
new-generation RGB 3-in-1 high-efficiency LEDs with uniform light output. Overall brightness greatly improved—RGB effect +30%, white light +60%, delivering vivid colors and clear, bright illumination.
- Flexible control options, upgrade-friendly (standard version):**
powered by 12V AC with constant-current drive, compatible with previous-generation lighting control boxes and the Applume Plus-S. Supports remote on/off and synchronized underwater lighting control. When paired with the Applume Plus-S, Wi-Fi connectivity and Tuya Cloud control are available, including timer settings and scene automation for flexible and reliable operation.
- Efficient AC/DC Power Supply (functional version):**
supports AC/DC input with a wide 12V–24V range.
- High-Level Production and Safety Low-Voltage:**
Complies with IP68 protection rating and Class III electrical safety standards, ensuring safe and reliable operation.
- Unique Bottom Structure:**
ample space for wiring, easy for maintenance.
- Stable and Outstanding Light Performance:**
the new light source delivers more consistent output and better color rendering, with purer colors and enhanced underwater lighting quality.
- Upgraded Smart Control with Stable Signals (functional version):**
compatible with the Applume Plus-D smart controller, which uses a wired signal connection between the underwater light and the controller for stable signal transmission. The controller supports Wi-Fi and works with the Tuya App for multiple lighting modes and smart control.
- Adaptability to Multiple Scenarios:**
suitable for both basic underwater lighting and smart control applications, supporting multi-light synchronization and flexible model selection.



Technical Specifications

Standard Model	Power (W)	Voltage (V)	LED QTY	Color	Color Temperature	Luminous Flux (lm)
WL-PS-HC-1230T	12	AC12V	24	RGB	—	500
WL-PS-HC-1230B6	12		24	Cool White	6500K	1400
WL-PS-HC-1830T	18		36	RGB	—	750
WL-PS-HC-1830B6	18		36	Cool White	6500K	2100
WL-PS-HC-2430T	24		48	RGB	—	1000
WL-PS-HC-2430B6	24		48	Cool White	6500K	2800

Smart Model	Power (W)	Voltage (V)	LED QTY	Color	Color Temperature	Luminous Flux (lm)
WL-PS-HT-1230T	12	DC12-24V	24	RGB	—	500
WL-PS-HT-1230B6	12		24	Cool White	6500K	1400
WL-PS-HT-1830T	18		36	RGB	—	750
WL-PS-HT-1830B6	18		36	Cool White	6500K	2100
WL-PS-HT-2430T	24		48	RGB	—	1000
WL-PS-HT-2430B6	24		48	Cool White	6500K	2800

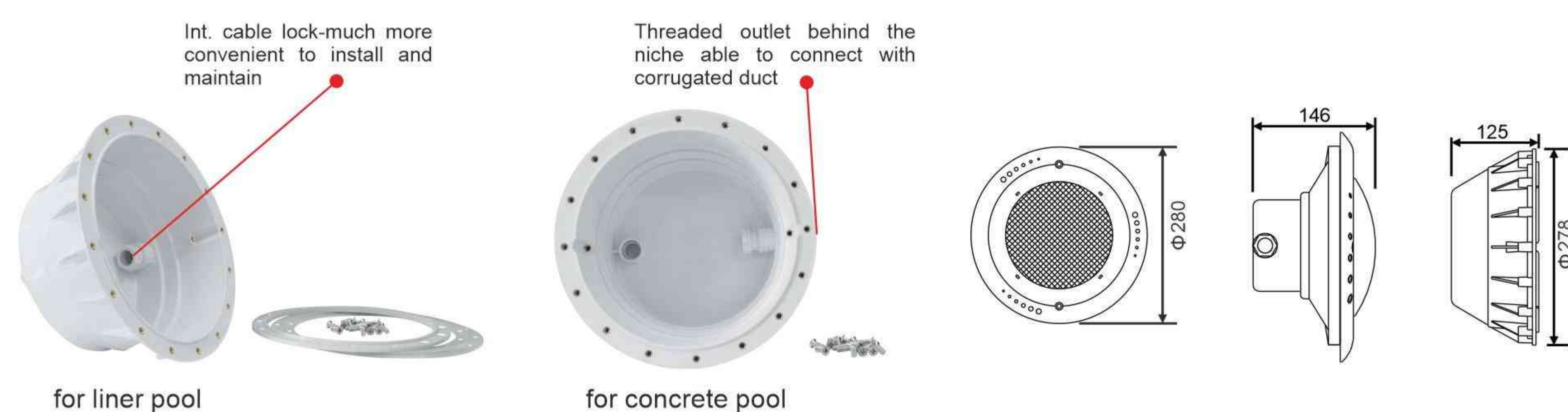
WL-QJ



Built-in remote control system let you to manage your pool more convenient and easily.
(Optional)

Main features:

- Standard PAR56 lamp install into standard PAR56 niche of QJ series underwater light, with high brightness and strong luminosity.
- Curved PC lens expands the light refraction, and the crystal lens brings high brightness.
- Different LED lamps in option.
- Compatible with all pools



TECHNICAL DATA

Model	Power (W)	Voltage (V)	LED QTY	Light source	Color	Lumination flux	Installation type	Optional remote control
WL-QJ-LED018JTB	18W	AC12V	54	SMD LED	White color	1185		×
WL-QJ-LED018JTC	18W	AC12V	54	SMD LED	RGB	245		√
WL-QJ-LED024JTB	24W	AC12V	72	SMD LED	White color	1240		×
WL-QJ-LED024JTC	24W	AC12V	72	SMD LED	RGB	375		√
WL-QJ-LED162JTB	18W	AC12-20V	162	Wide voltage	White color	1500		×
WL-QJ-LED162JTC	18W	AC12-20V	162	Wide voltage	RGB	970	<input checked="" type="checkbox"/> Housing type for concrete pool with niche	×
WL-QJ-LED216JTB	24W	AC12-20V	216	Wide voltage	White color	2150	<input checked="" type="checkbox"/> For fiberglass pool installation	×
WL-QJ-LED216JTC	24W	AC12-20V	216	Wide voltage	RGB	1500	<input checked="" type="checkbox"/> For different liner pool installation	×
WL-QJ-LED216HTB	35W	AC12-20V	216	Wide voltage	White color	2580		×
WL-QJ-LED216HTC	35W	AC12-20V	216	Wide voltage	RGB	1800		×
WL-QJ-LED16PC	18W	DC12V	16	SMD LED	RGBW	1380		×
WL-QJP300	300W	AC12V	----	PAR56 halogen lamp	----	----		×

WL-QJS

Wall Mounted Led Pool Light

Optional abs or stainless steel face plate

corrosion resistance

operating voltage:AC12V

working temperature:-20°C~+45°C

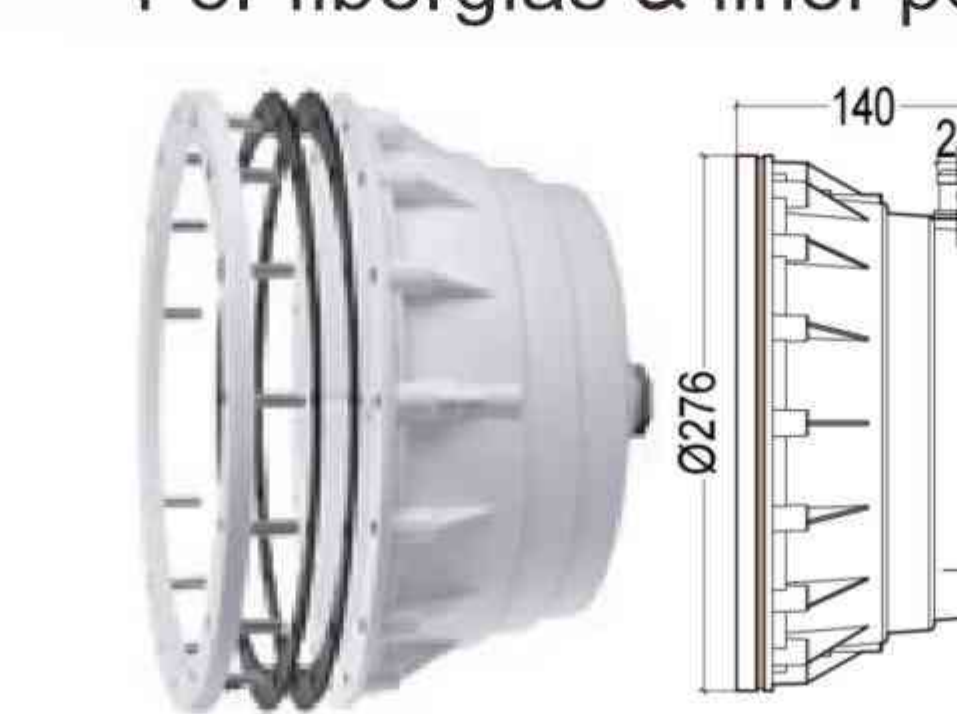
lifespan:50000 hours



For concrete pool



For fiberglass & liner pool



Technical Parameters:

Model	LED chips	Power	Voltage	Color	Installation Type
WL-QJS-LED252JTB	SMD2835 252pcs	18W	AC12V	White	<input checked="" type="checkbox"/> Housing type for concrete pool with niche <input checked="" type="checkbox"/> for concrete pool <input checked="" type="checkbox"/> for fiberglass&liner pool
WL-QJS-LED252JTC	SMD2835 252pcs	18W	AC12V	RGB	
WL-QJS-LED324JTB	SMD2835 324pcs	25W	AC12V	White	
WL-QJS-LED324JTC	SMD2835 324pcs	25W	AC12V	RGB	
WL-QJS-LED432JTB	SMD2835 432pcs	35W	AC12V	White	
WL-QJS-LED432JTC	SMD2835 432pcs	35W	AC12V	RGB	
WL-QJS-LED468JTB	SMD2835 468pcs	42W	AC12V	White	
WL-QJS-LED468JTC	SMD2835 468pcs	42W	AC12V	RGB	
WL-QJ-LED252JTB	SMD2835 252pcs	18W	AC12V	White	
WL-QJ-LED252JTC	SMD2835 252pcs	18W	AC12V	RGB	
WL-QJ-LED324JTB	SMD2835 324pcs	25W	AC12V	White	
WL-QJ-LED324JTC	SMD2835 324pcs	25W	AC12V	RGB	
WL-QJ-LED432JTB	SMD2835 432pcs	35W	AC12V	White	
WL-QJ-LED432JTC	SMD2835 432pcs	35W	AC12V	RGB	
WL-QJ-LED468JTB	SMD2835 468pcs	42W	AC12V	White	
WL-QJ-LED468JTC	SMD2835 468pcs	42W	AC12V	RGB	

WL-QQC

QQC mode light is an ultra-thin series light with niche for concrete pool installation. Its smooth front plate provides simplicity yet elegant.

Main features:

- Material: ABS body+stainless steel base.
- Standard cable: 2.0meters.
- Waterproof: IP68.
- Installation mode: Housing type for concrete pool.
- Color: cool white, warm white, RGB and single blue.
- RGB mode features 19 pre-programmed lighting patterns.
- Color temperature: cool white 6000K, warm white 3000K.



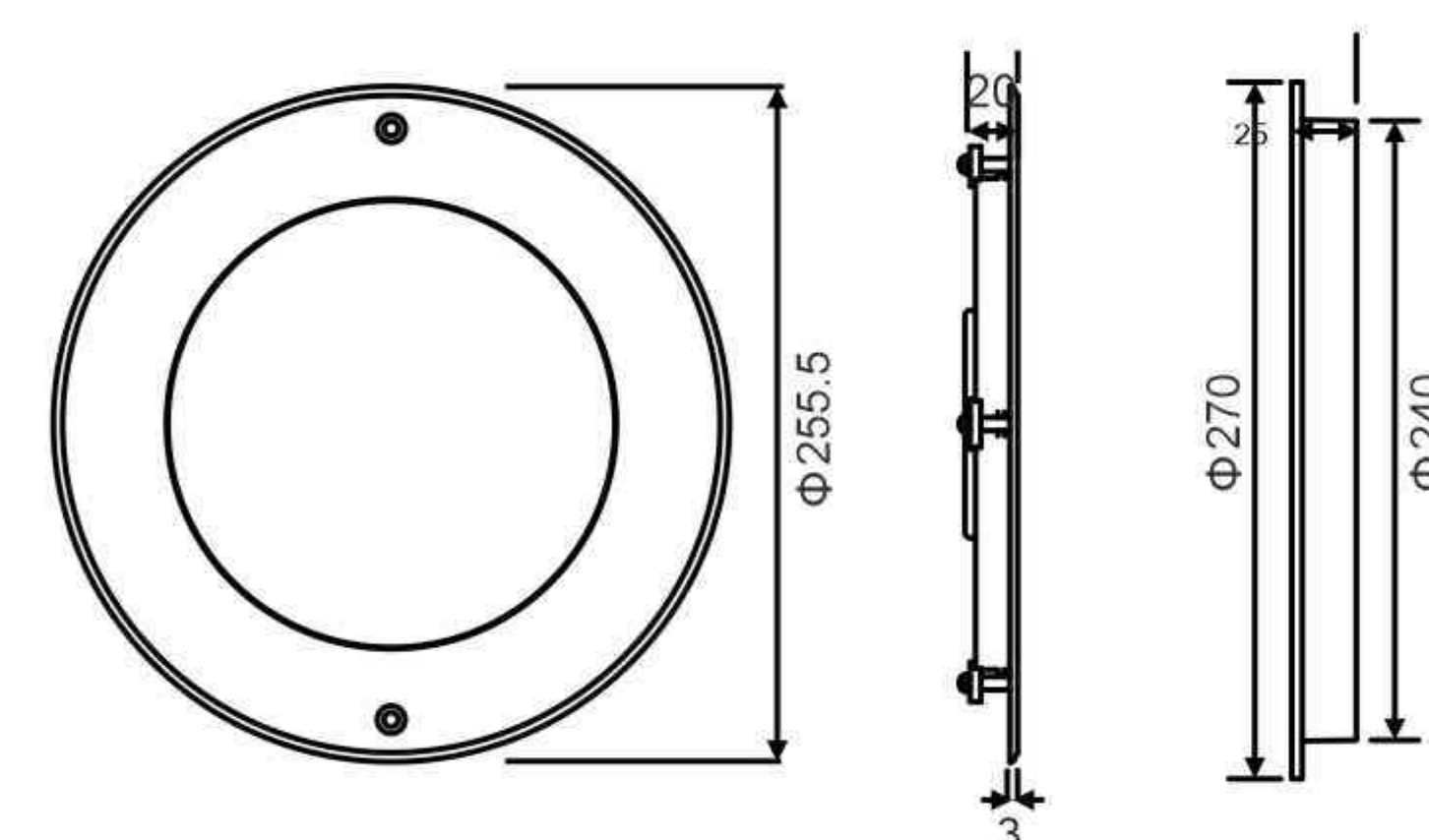
TECHNICAL DATA

Model	Power(W)	Voltage(V)	LED QTY	Light source	Color	Lumination flux	Installation type
WL-QQC-LED012PB	12W	AC 12V	12	High power	White color	885	Housing type
WL-QQC-LED012PC	12W	AC 12V	12	High power	RGB	200	Housing type
WL-QQC-LED024PB	24W	AC 12V	24	High power	White color	1300	Housing type
WL-QQC-LED024PC	24W	AC 12V	24	High power	RGB	352	Housing type
WL-QQC-LED036PB	36W	AC 12V	36	High power	White color	1395	Housing type
WL-QQC-LED036PC	36W	AC 12V	36	High power	RGB	410	Housing type

WL-QTS

Features:

- Ultra-thin design, perfectly integrated with the pool wall, only 3mm away from pool wall.
- The recessed light housing can be directly embedded into the pool wall, 25mm only.
- Default 9-color mode: It's available to work with normal switch AC12V, Laswim YAQ control system and Applume APLU-DW control system with wifi 2.4G, 433MHz wireless high frequency technology.
- Stainless steel 304 light, cooling fast, corrosion resistant, plastic niche.
- Safety low voltage: AC12V
- Waterproof standard: IP68.
- 2 meters cable.



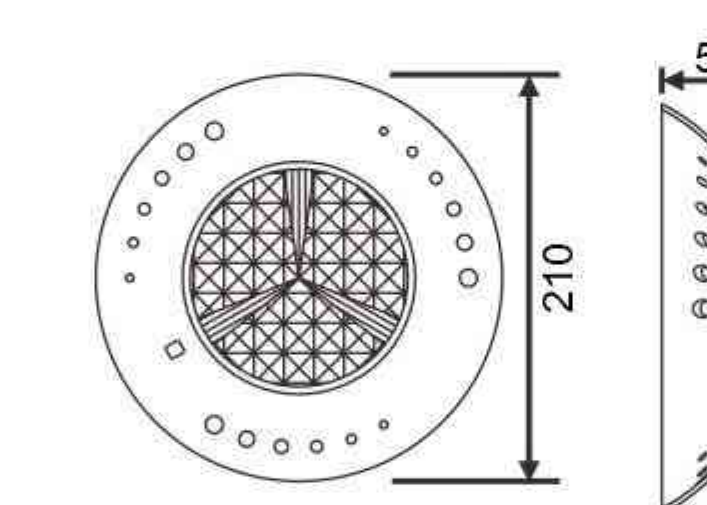
TECHNICAL DATA

Model	Power (W)	Voltage (V)	Number of LEDs	Color	Lumination flux
WL-QTS-LED162JTB	55W	AC 12V	162	White	3900
WL-QTS-LED162JTC	55W	AC 12V	162	RGB	860

WL-BPB

Main features:

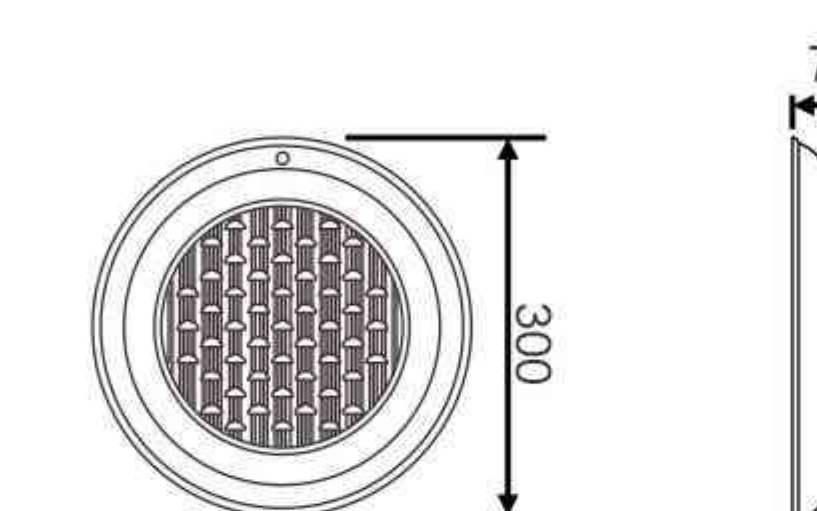
- Material: anti-UV ABS.
- Safety low voltage: AC12V.
- Installation mode: wall-mounted type.
- Color: cool white, warm white, RGB and single blue.
- Color temperature: cool white 6000K, warm white: 3000K.



TECHNICAL DATA

Model	Power(W)	Voltage(V)	LED QTY	Light source	Color	Lumination flux	Installation type
WL-BPB-LED072BB	6W	AC 12V	72	Standard DIP LED	White color	150	Wall mounted type
WL-BPB-LED072BC	6W	AC 12V	72	Standard DIP LED	RGB	88	Wall mounted type
WL-BPB-LED006JTB	6W	AC 12V	18	SMD LED	White color	485	Wall mounted type
WL-BPB-LED006JTC	6W	AC 12V	18	SMD LED	RGB	85	Wall mounted type
WL-BPB-LED012JTB	12W	AC 12V	36	SMD LED	White color	903	Wall mounted type
WL-BPB-LED012JTC	12W	AC 12V	36	SMD LED	RGB	215	Wall mounted type

Laswim PA series lights features stainless steel material with gliding and elegant design and good heat radiation. Nicheless flat light directly to mount to pool wall with bracket plate, simple and convenient. PC and tempered glass lens are available to select in this series lights.



WL-PA

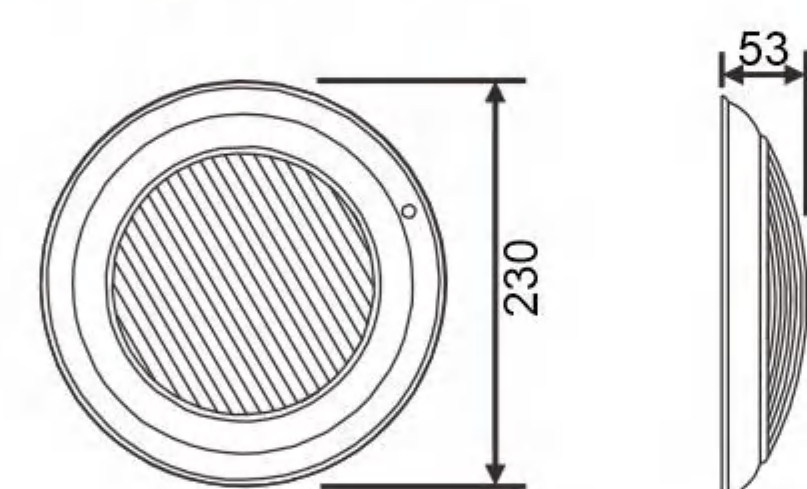
TECHNICAL DATA

Model	Power(W)	Voltage(V)	LED QTY	Light source	Color	Lumination flux	Installation type
WL-PA-LED252BB	18W	AC 12V	252	Standard DIP LED	White color	530	Wall mounted type
WL-PA-LED252BC	18W	AC 12V	252	Standard DIP LED	RGB	257	Wall mounted type
WL-PA-LED012PB	12W	AC 12V	12	High power	White color	885	Wall mounted type
WL-PA-LED012PC	12W	AC 12V	12	High power	RGB	200	Wall mounted type
WL-PA-LED024PB	24W	AC 12V	24	High power	White color	1300	Wall mounted type
WL-PA-LED024PC	24W	AC 12V	24	High power	RGB	352	Wall mounted type
WL-PA-LED036PB	36W	AC 12V	36	High power	White color	1395	Wall mounted type
WL-PA-LED036PC	36W	AC 12V	36	High power	RGB	410	Wall mounted type
WL-BPA100	100W	AC 12V	Lamp bead and toughened glass lens	---	---	---	Wall mounted type
WL-BPA150	150W	AC 12V	Lamp bead and toughened glass lens	---	---	---	Wall mounted type
WL-BPC150	150W	AC 12V	Lamp bead and pc lens	---	---	---	Wall mounted type

WL-PE

Main features:

- Material: Stainless steel.
- Lens: PC.
- Safety low voltage: AC12V.
- Installation mode: wall-mounted type.
- Color: cool white, warm white, RGB and single blue.
- Cable: 2.0meters.



TECHNICAL DATA

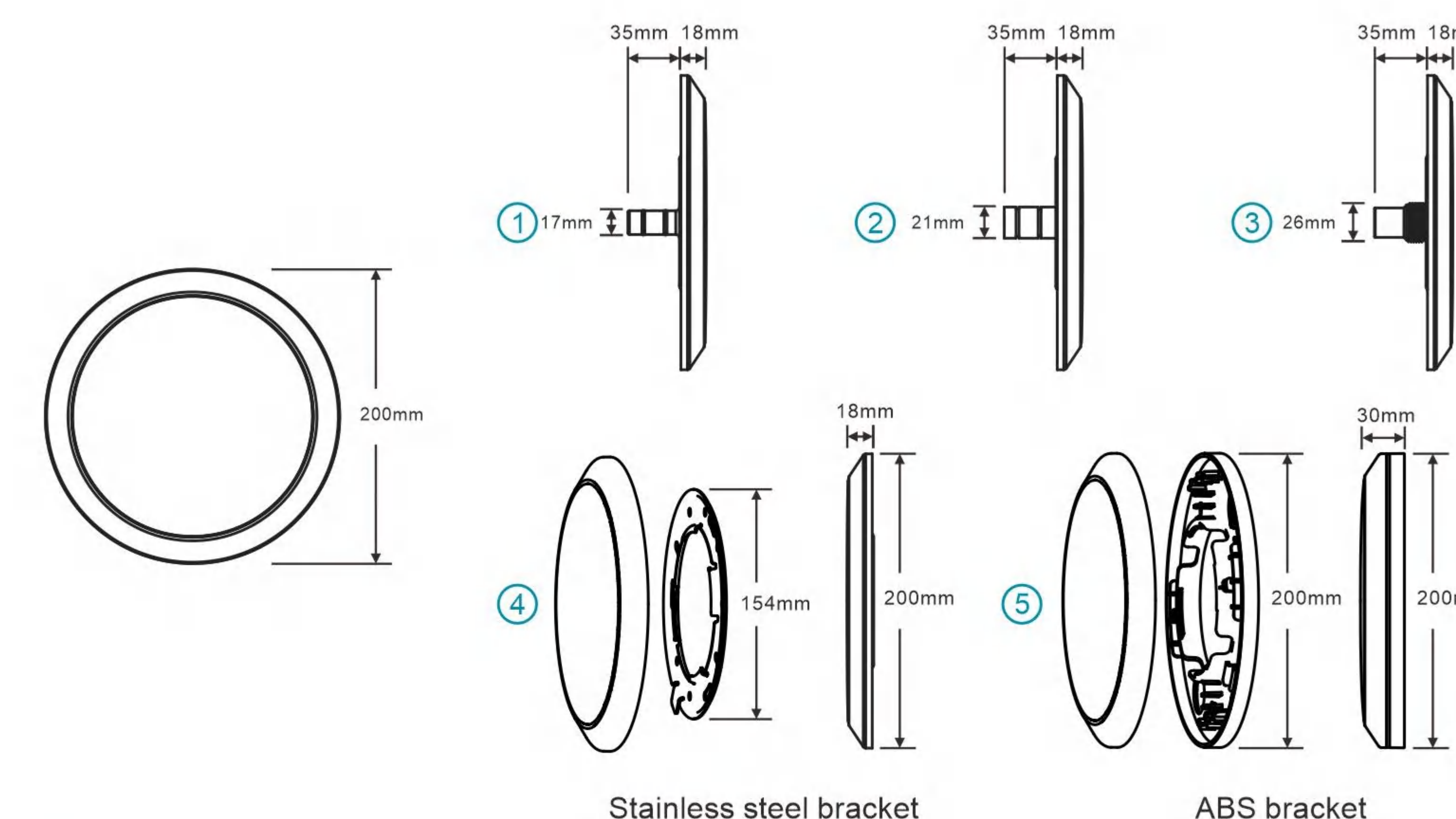
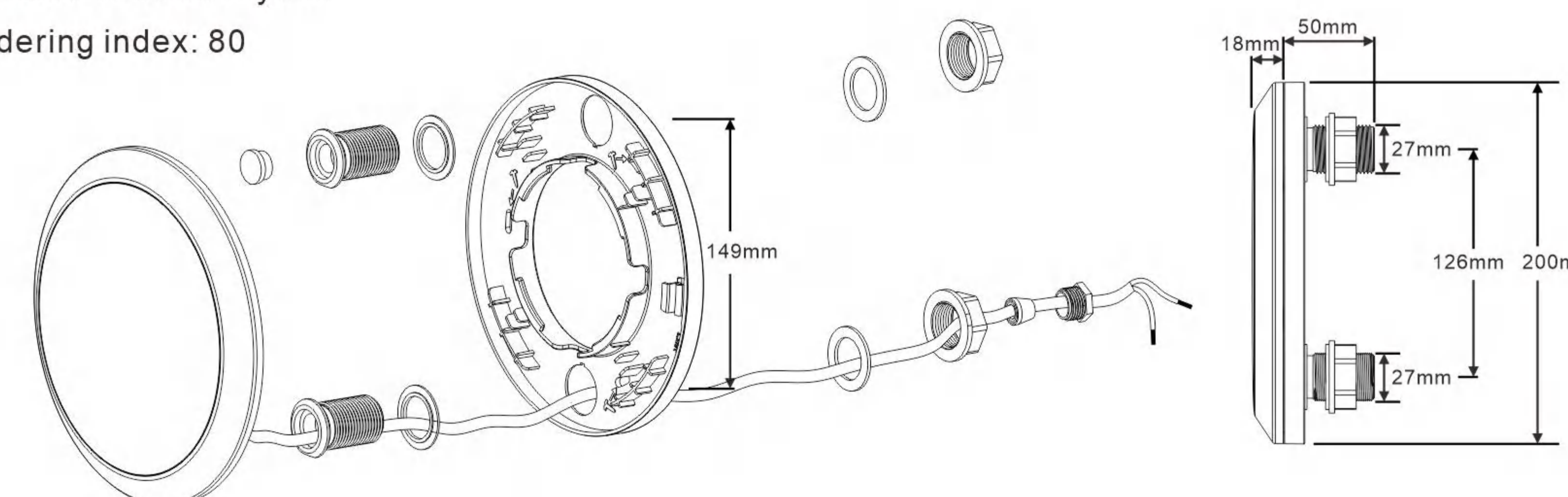
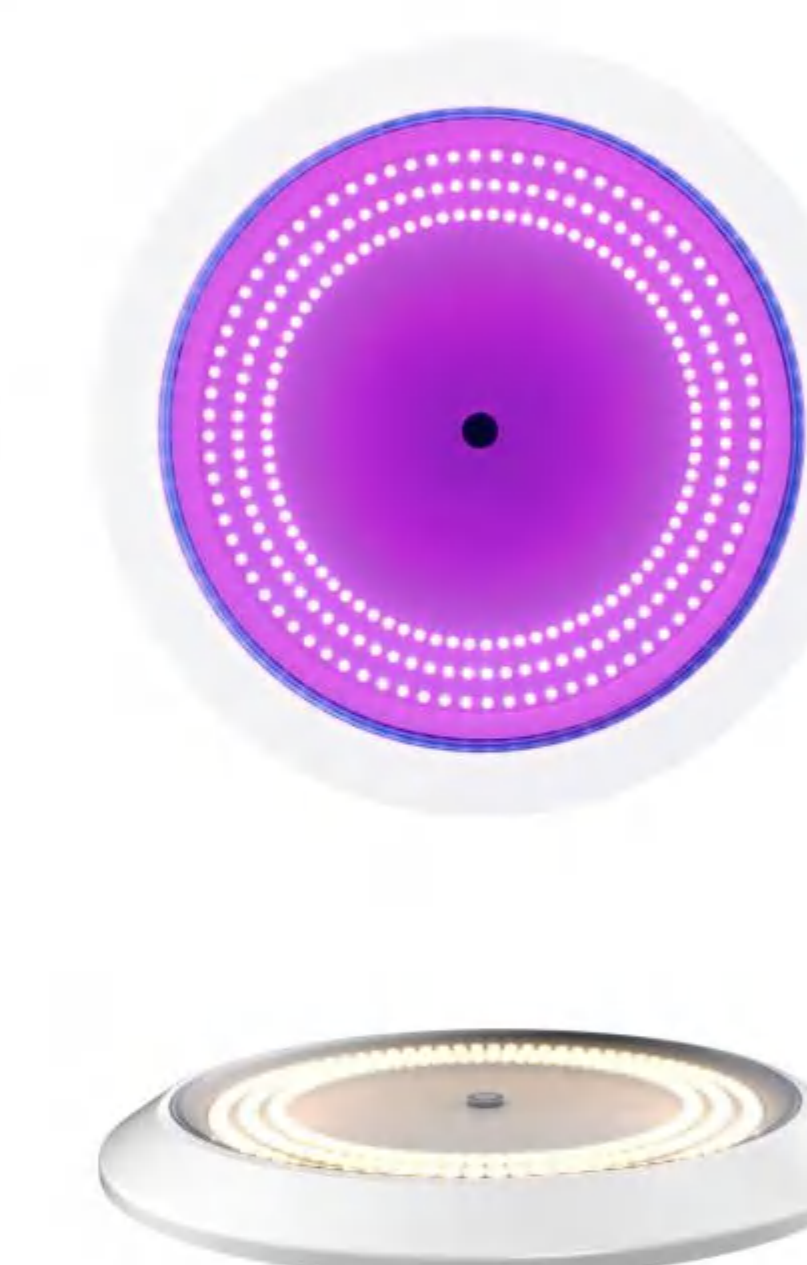
Model	Power(W)	Voltage(V)	LED QTY	Light source	Color	Lumination flux	Installation type
WL-PE-LED072BB	6W	AC 12V	72	Standard DIP LED	White color	150	Wall mounted type
WL-PE-LED072BC	6W	AC12V	72	Standard DIP LED	RGB	88	Wall mounted type
WL-PE-LED144BB	12W	AC12V	144	Standard DIP LED	White color	302	Wall mounted type
WL-PE-LED144BC	12W	AC12V	144	Standard DIP LED	RGB	168	Wall mounted type
WL-PE-LED252BB	18W	AC12V	252	Standard DIP LED	White color	500	Wall mounted type
WL-PE-LED252BC	18W	AC 12V	252	Standard DIP LED	RGB	245	Wall mounted type
WL-PE-LED006JTB	6W	AC12V	18	SMD LED	White color	485	Wall mounted type
WL-PE-LED006JTC	6W	AC12V	18	SMD LED	RGB	85	Wall mounted type
WL-PE-LED012JTB	12W	AC12V	36	SMD LED	White color	903	Wall mounted type
WL-PE-LED012JTC	12W	AC12V	36	SMD LED	RGB	215	Wall mounted type
WL-BPE075	75W	AC12V	Lamp bead and PC lens	---	---	---	Wall mounted type
WL-BPE100	100W	AC12V	Lamp bead and PC lens	---	---	---	Wall mounted type



WL-PE20

Features:

- Wide beam angle 115°-ultra-wide beam angle eliminates shadows for flawless, uniform pool lighting.
- Elegant design - the narrow face plate and 240-leds ring-shaped light source are perfectly integrated.
- Advanced cooling technology - Keeping the PCB cooler improves efficiency and extends life.
- Smart safety – Overvoltage protection + thermal dimming prevents damage from power surges and overheating.
- Plastic and stainless steel 2-face plate available to give users more freedom to choose.
- RGB lights, free choice of colour, one-click synchronization.
- A variety of white color choice: cold white 6500K, daylight white 4000K, warm white 2700K.
- Easy installation-12VAC with 2-wire cabling, 12-24VDC with 3-wire cabling, unique communication protocol over the power cable.
- With a variety of accessories, it can be used in a variety of different swimming pools
- Easy control-YAQ controller and APPLUME controller are compatible, you can also remotely control your lights through APP, freely control control your pool lights.
- Fixed programs
- Dimming mode & music rhythm
- Color rendering index: 80



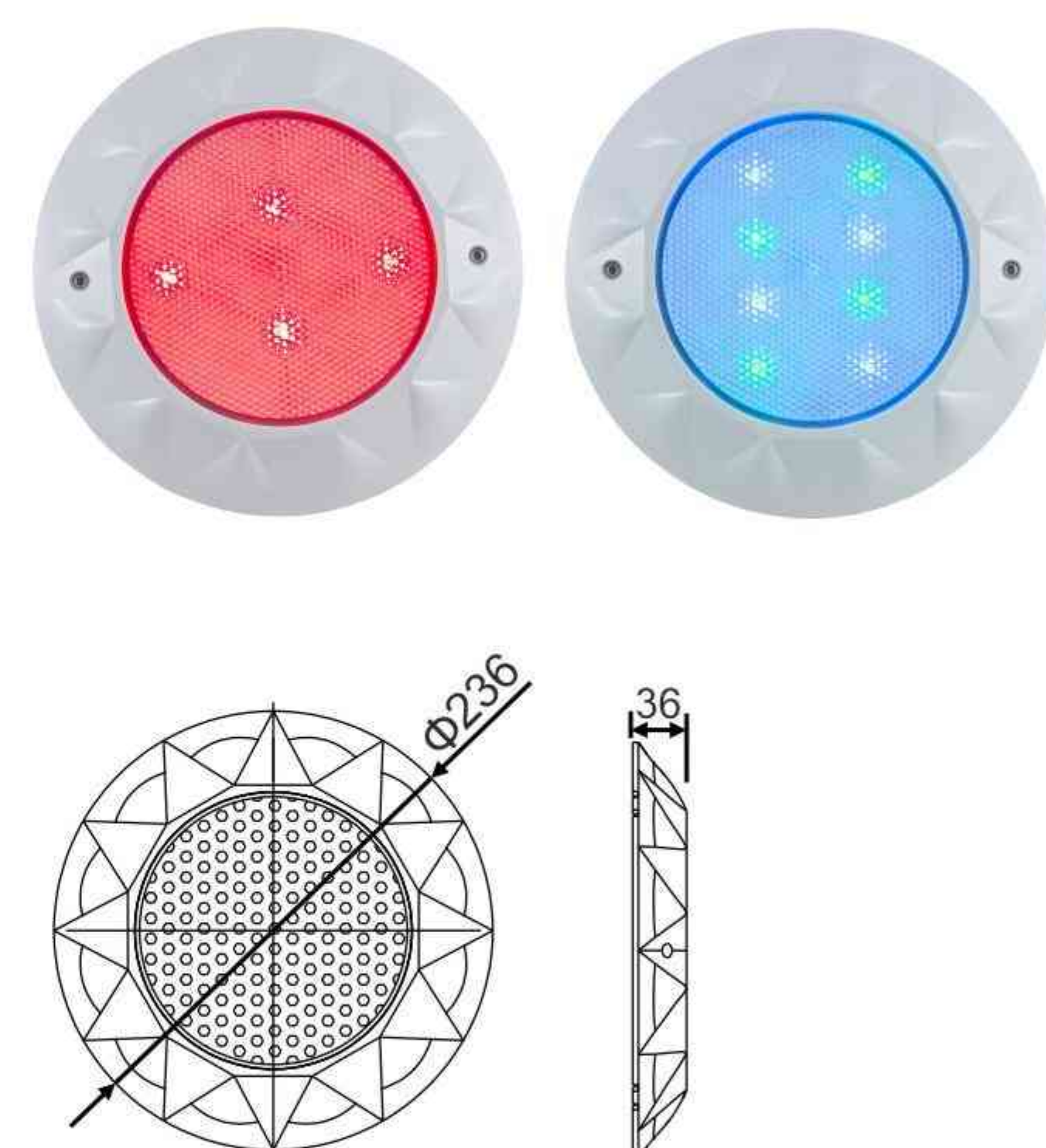
TECHNICAL DATA

Model	Power(W)	Voltage(V)	LED QTY	Light source	Color	Lumination flux	Installation type
WL-PE20-024JTC	24W	AC12V/DC12-24	240	SMD LED	RGB	1125	<input type="checkbox"/> Wall-mounted <input checked="" type="checkbox"/> Wall recessed
WL-PE20-024JTB2	24W	AC12V/DC12-24	240	SMD LED	Warm white	2688	
WL-PE20-024JTB4	24W	AC12V/DC12-24	240	SMD LED	Day white	3192	
WL-PE20-024JTB4	24W	AC12V/DC12-24	240	SMD LED	Cool white	2712	

WL-PQ

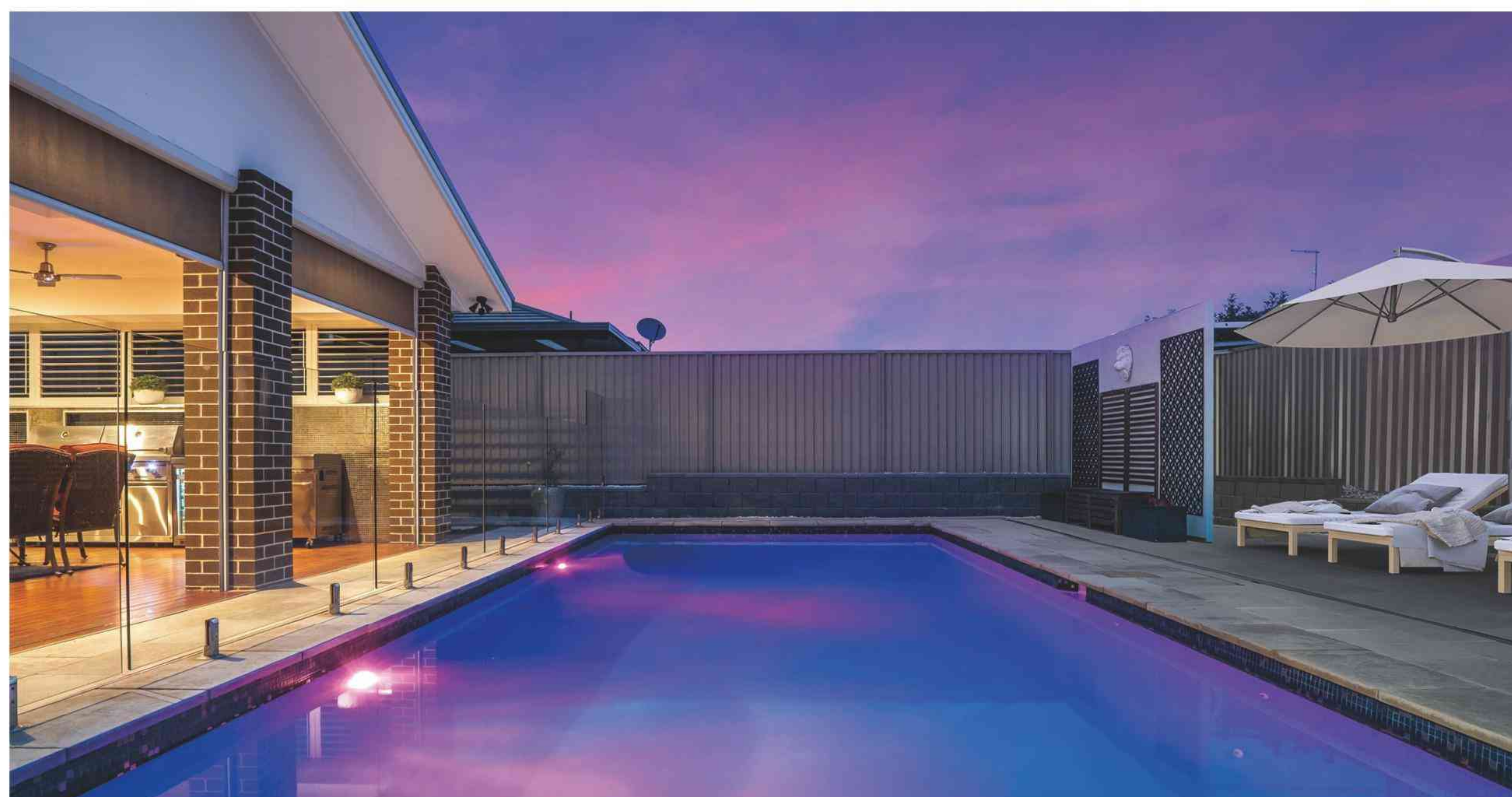
Main features:

- Material: ABS face ring+stainless steel base.(It's special made of stainless steel base much better heat radiation for high power lamp than other models.)
- Lamp source: big power led lamp.
- Installation mode: wall-mounted type .
- Color: cool white, warm white, RGB and single blue.
- RGB mode features 19 pre-programmed lighting patterns.
- Color temperature: cool white 6000K, warm white: 3000K.



“PQ” SERIES LED FLAT UNDERWATER LIGHTS

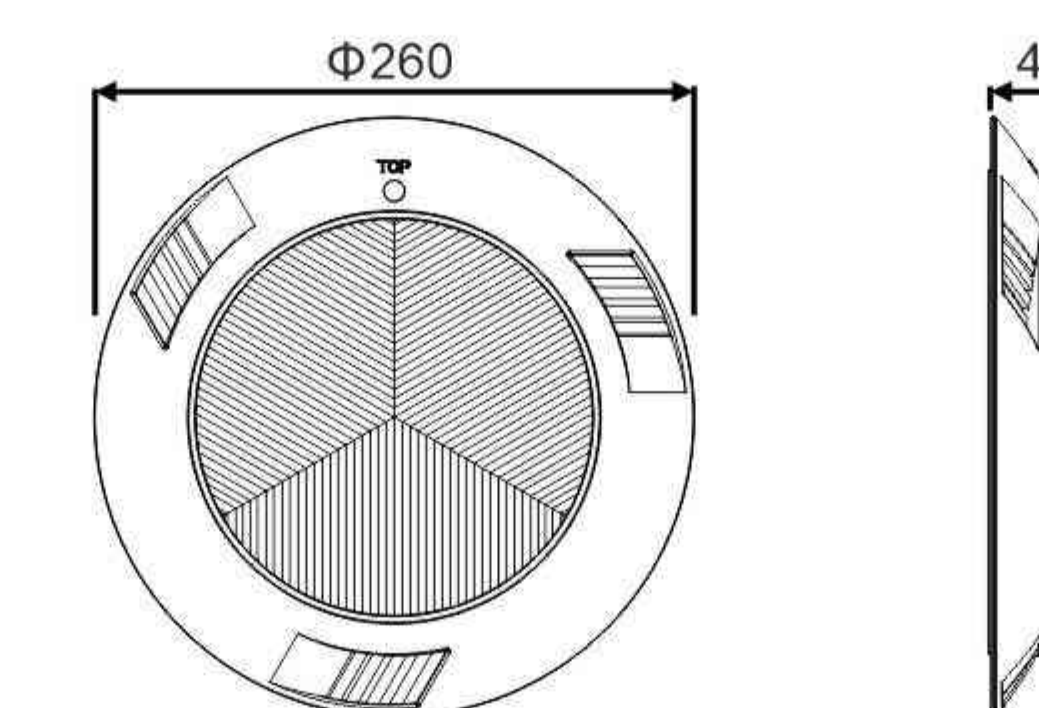
Model	Power(W)	Voltage(V)	LED QTY	Light source	Color	Lumination lux	Installation type
WL-PQ-LED012PB	12W	AC12V	12	High power	White color	885	Wall mounted type
WL-PQ-LED012PC	12W	AC12V	12	High power	RGB	200	Wall mounted type
WL-PQ-LED024PB	24W	AC12V	24	High power	White color	1300	Wall mounted type
WL-PQ-LED024PC	24W	AC12V	24	High power	RGB	352	Wall mounted type
WL-PQ-LED036PB	36W	AC12V	36	High power	White color	1395	Wall mounted type
WL-PQ-LED036PC	36W	AC12V	36	High power	RGB	410	Wall mounted type



WL-PSE

Features:

- Wall-mounted, easy to install.
- High brightness, large lumen, strong light transmission.
- Safety low voltage: 12VAC, DC12-24V.
- White LED light color rendering index of up to 84, high light efficiency and high light color consistency.
- Intelligent control: Equipped with Bluetooth wireless connection function, which can be easily used through mobile APP and wireless remote control.
- Light beam: 120°.
- The average LED life span exceeds 50,000 hours.
- Protection rating: Ip68.
- Operating Temperature: Up to 45°C.



TECHNICAL DATA

Model	Power(W)	Voltage(V)	LED QTY	Light source	Color	Luminous flux	Installation type
WL-PSE-LED018JTB	18W	AC12V / DC12-24V	171	SMD LED	WHITE	1890	Wall mounted type
WL-PSE-LED018JTC	18W	AC12V	171	SMD LED	RGB	1040	
WL-PSE-LED018JTCD	18W	AC12V / DC12-24V	171	SMD LED	RGB-Dimming mode	1040	
WL-PSE-LED024JTB	24W	AC12V / DC12-24V	234	SMD LED	WHITE	2760	
WL-PSE-LED024JTC	24W	AC12V	234	SMD LED	RGB	1250	
WL-PSE-LED024JTCD	24W	AC12V / DC12-24V	234	SMD LED	RGB-Dimming mode	1250	

Note:

- Default 9-color mode: It's available to work with normal switch 12Vac, Laswim YAQ control system and Applume APLU-DW control system with wifi 2.4G, 433MHz wireless high frequency technology.
- Dimming mode: People can use control LED though remote controller or mobile App to switch LED color, brightness, dimming mode and automatic color synchronization.

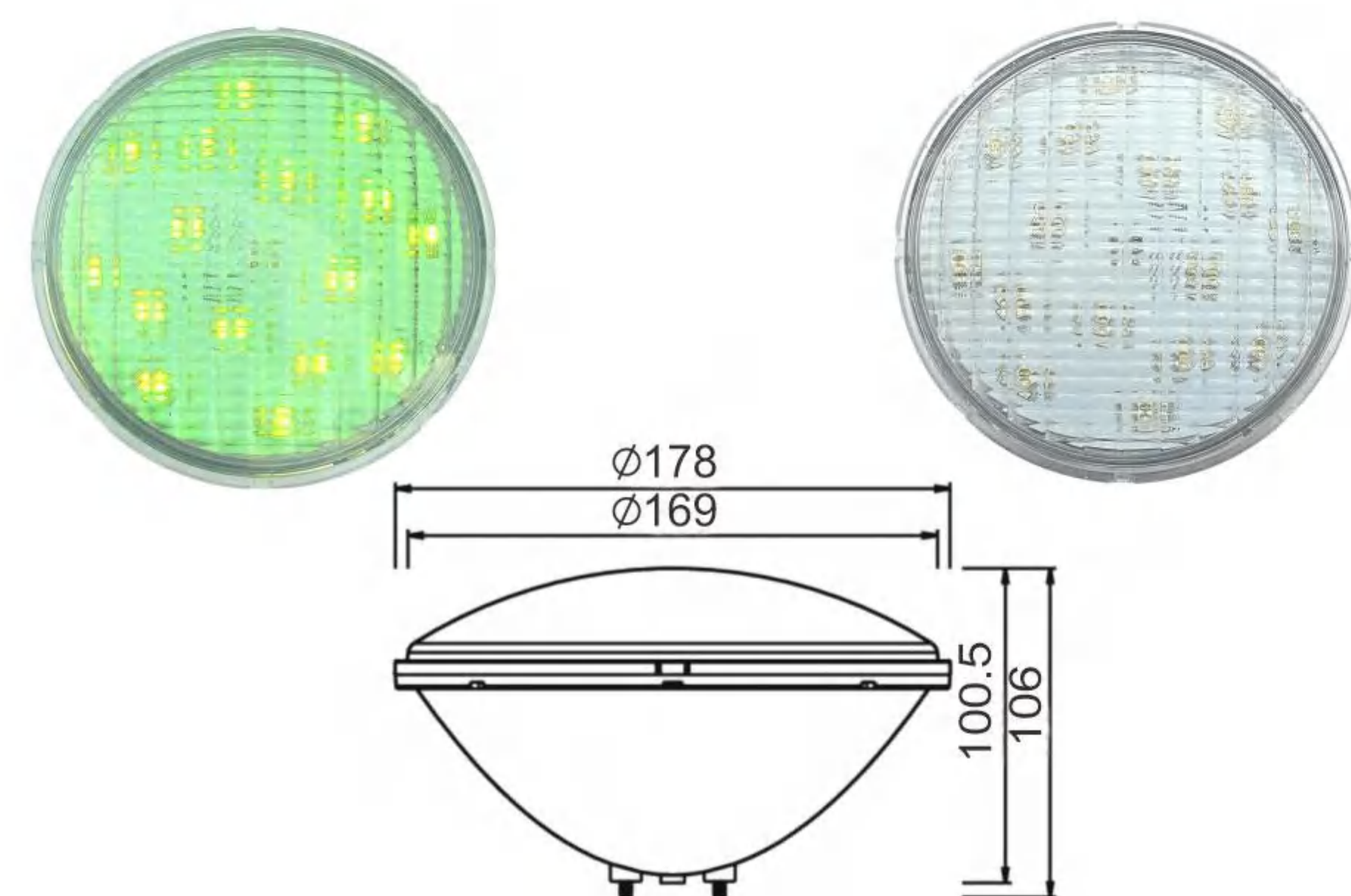
WL-PAR56

Main features:

- Standard PAR56 lamp install into standard PAR56 niche.
- Curved PC lens expands the light refraction, and the crystal lens brings high brightness.
- Different LED lamps in option.
- Monochrome and multicolor are available.



Remote control (optional)



RGB and RGBW

- Common RGB LED bulbs are made by three colours of red, green and blue and create gradients, blinks and blending modes.
- RGBW contains four colors of red, green, blue and white, and expands to millions colours and changing modes to create natural cool white, warm white and infinity other colours

LED PAR56 BULBS

Model	Power (W)	Voltage (V)	LED QTY	Light source	Color	Lumination lux	Optional: remote control
WL-PAR-LED252BB	18W	AC12V	252	Standard DIP LED	White color	530	×
WL-PAR-LED252BC	18W	AC12V	252	Standard DIP LED	RGB	257	✓
WL-PAR-LED012PB	12W	AC12V	12	High power LED	White color	885	×
WL-PAR-LED012PC	12W	AC12V	12	High power LED	RGB	200	×
WL-PAR-LED024PB	24W	AC12V	24	High power LED	White color	1300	×
WL-PAR-LED024PC	24W	AC12V	24	High power LED	RGB	352	×
WL-PAR-LED018JTB	18W	AC12V	54	SMD LED	White color	1185	×
WL-PAR-LED018JTC	18W	AC12V	54	SMD LED	RGB	245	✓
WL-PAR-LED024JTB	24W	AC12V	72	SMD LED	White color	1240	×
WL-PAR-LED024JTC	24W	AC12V	72	SMD LED	RGB	375	✓
WL-PAR-LED162JTB	18W	AC12V-20V	162	Wide voltage	White color	1500	×
WL-PAR-LED162JTC	18W	AC12V-20V	162	Wide voltage	RGB	970	×
WL-PAR-LED216JTB	24W	AC12V-20V	216	Wide voltage	White color	2150	×
WL-PAR-LED216JTC	24W	AC12V-20V	216	Wide voltage	RGB	1500	×
WL-PAR-LED216HTB	35W	AC12V-20V	216	Wide voltage	White color	2580	×
WL-PAR-LED216HTC	35W	AC12V-20V	216	Wide voltage	RGB	1800	×
WL-PAR-LED16PC	18W	DC12V	16	SMD LED	RGBW	1380	×

E27 LED LIGHT BULBS



E27 LED LIGHT BULBS

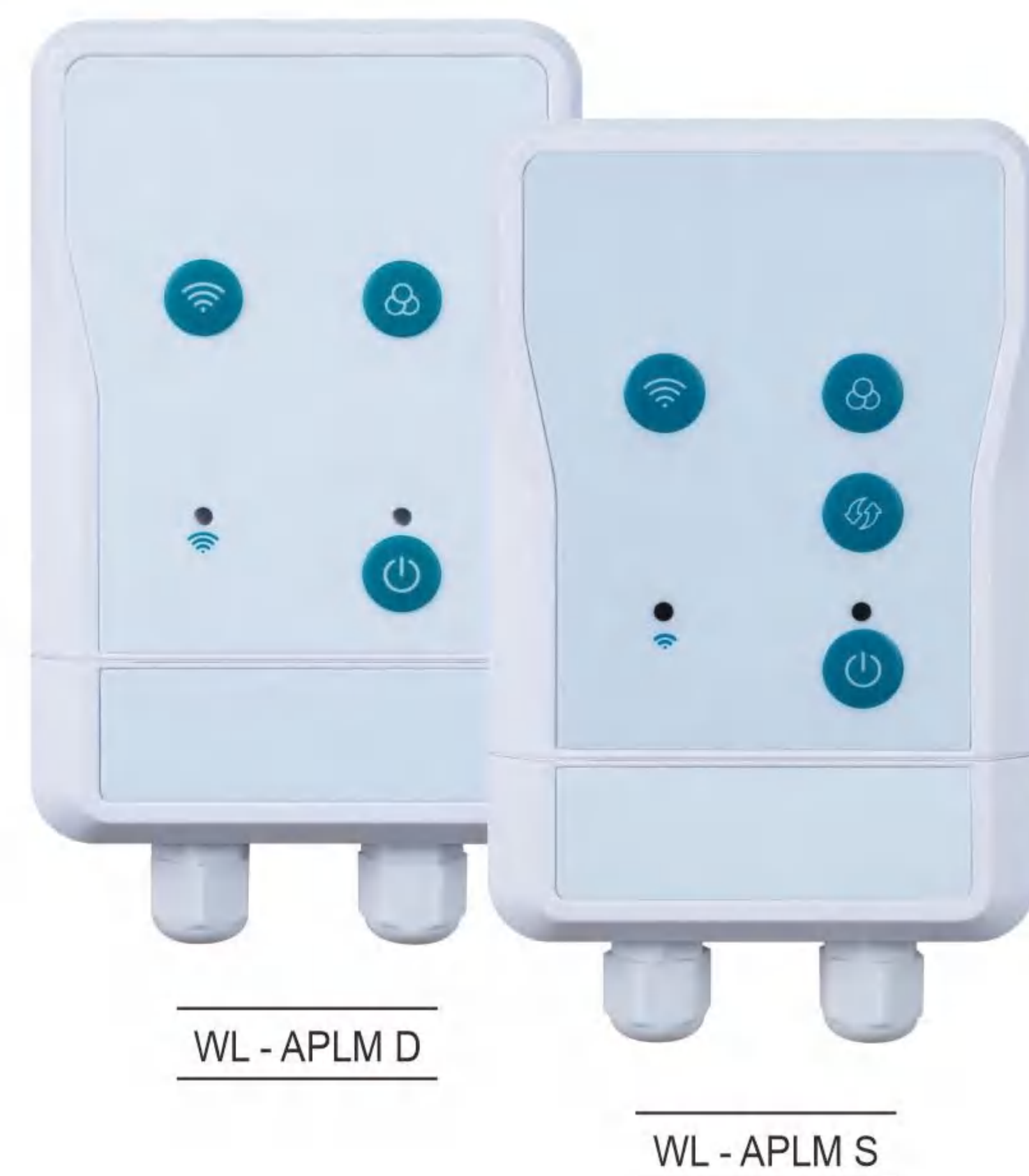
Model	Description	Power (W)	Voltage (V)	Lumination lux	Installation type
WL-LED072	Standard size E27 lamp with 72 leds, able to replace traditional 100W/300W incandescent lamp of light with niche	6W	AC12V	150 (Cool/warm white) 88 (RGB)	Housing type
WL-LED144	Standard size E27 lamp with 144 leds, able to replace traditional 100W/300W incandescent lamp of light with niche	12W	AC12V	302 (Cool/warm white) 168 (RGB)	Housing type
WL-LED252	Standard size E27 lamp with 252 leds, able to replace traditional 100W/300W incandescent lamp of light with niche	18W	AC12V	530 (Cool/warm white) 257 (RGB)	Housing type



APPLUME PLUS UNDERWATER LIGHTING CONTROLLER

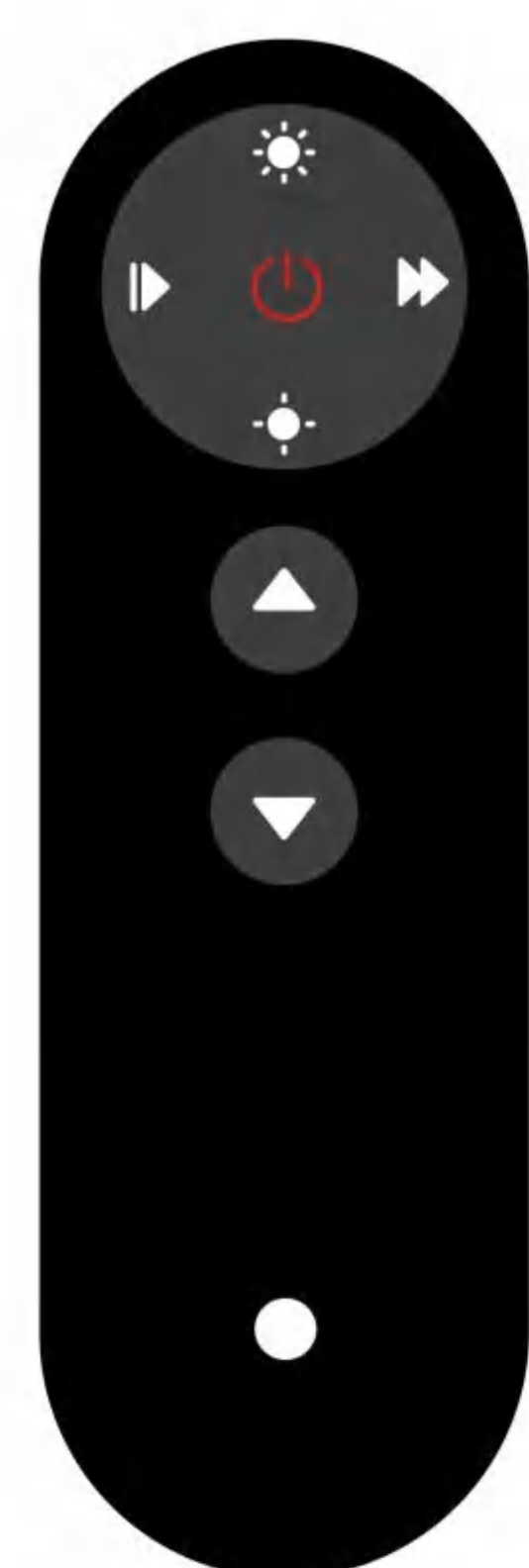
The Laswim Applume Plus Underwater Lighting Controller is a fully intelligent control hub meticulously crafted for high-end aquatic landscapes. With precise signal transmission at its core, it breaks through the limitations of traditional controllers that merely switch power on/off, delivering a truly personalized and remote lighting control experience.

Whether you are creating a private courtyard landscape, upgrading a premium pool, or constructing a commercial-grade water feature project, this controller seamlessly adapts. It not only supports remote control via a mobile APP, allowing you to manage lighting states with one tap whether at home or away, but also enables comprehensive and precise dimming. From warm ambient light to dynamic colorful displays, from romantic gradients to vibrant flashes, customize your exclusive lighting effects at will.



WL - APLM D

WL - APLM S



- Brightness +
- Brightness -
- Contrast +
- Contrast -
- Mode Switch
- On/Off

- Network Pairing
- Mode
- Sync
- Power
- Network Pairing Indicator
- Power Indicator

WL-APLM D

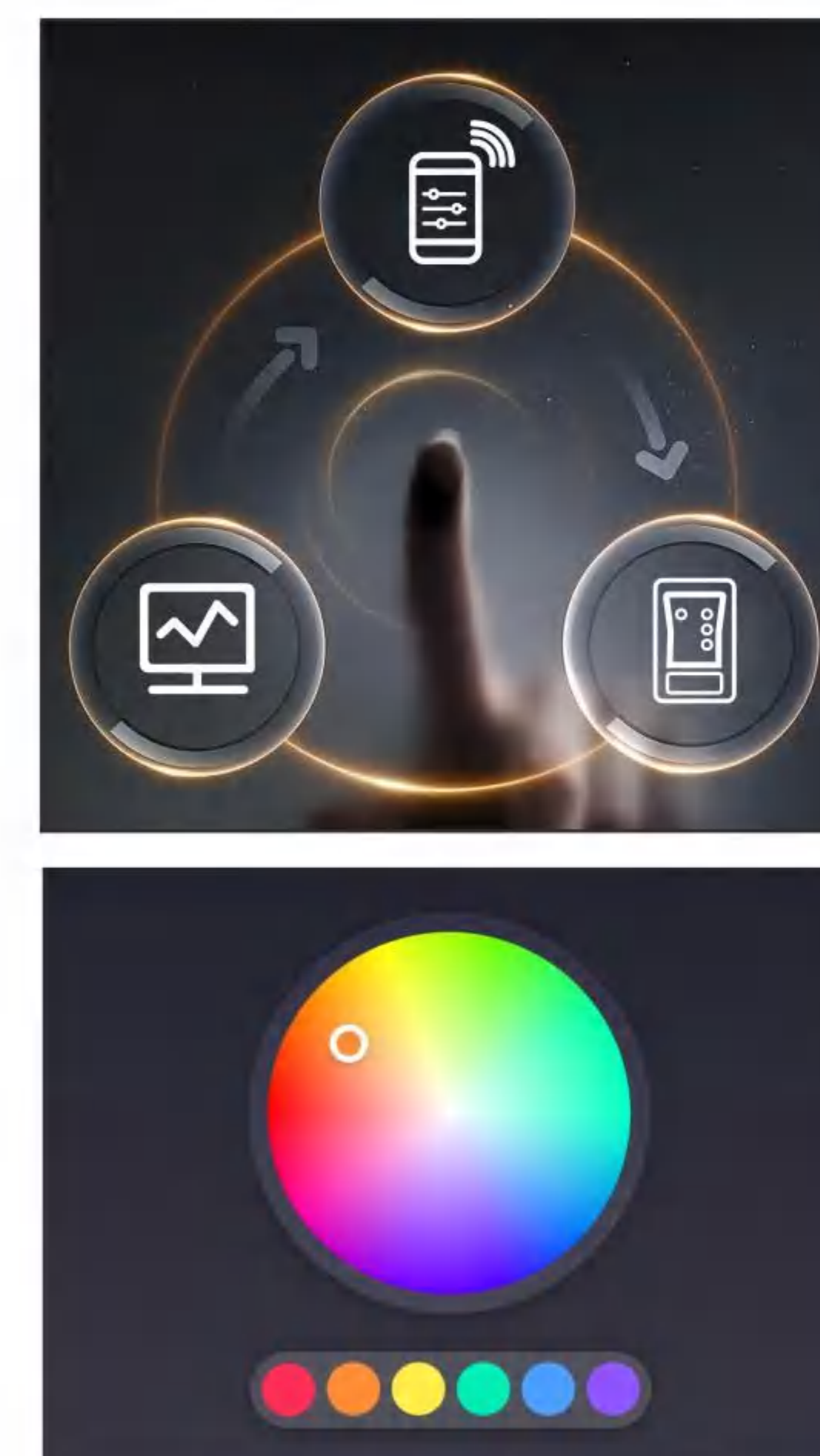
Product Features

- **Multi-Mode Smart Control for Full-Scenario Coverage:**

Supports three control methods: local control, remote control, and mobile APP (Tuya Smart). Suitable for centralized management in equipment rooms, on-the-spot adjustment by the poolside, and remote smart control, meeting diverse needs from daily use to intelligent scenarios.

- **Remote Intelligent Control for On-Demand Lighting Management:**

Enables remote on/off switching, linkage control, and status management via the APP, eliminating the need for manual operation beside the device. Paired with independent control signals for precise light driver, it offers faster response and more stable control, ideal for daily management of both residential and commercial pools.



- **Full-Range Dimming Capability to Unleash Smart Underwater Light Value:**

When paired with LASWIM's latest smart underwater light series, the APP supports multi-dimensional adjustments including color and brightness. Custom lighting modes can be created, allowing flexible switching from basic illumination to personalized ambiance.

- **Pre-Set Lighting Modes for Efficient One-Tap Activation:**

Features multiple built-in, ready-to-use lighting modes that take effect immediately upon selection without complex debugging. Enables quick switching between different lighting effects for daily use, enhancing convenience and consistent experience to easily set the atmosphere.

- **AC/DC Wide Voltage Input for Flexible Project Adaptation:**

Supports both AC and DC power supply, compatible with a wide voltage input range of 12V~24V. Employs a constant-current drive design to improve system stability and project adaptability.

- **Reliable Protection Design for Pool Application Environments:**

Rated IPX4 for splash resistance, capable of handling moisture and splashing conditions in pool equipment rooms and outdoor environments with basic shelter, ensuring long-term stable system operation.

WL-APLM S

Product Features

- **Three Control Methods Integrated into One for Versatile Scenarios:**

The Applume Plus-S supports three control method: the local control panel, remote control, and the smart APP(Tuya Smart). It can be flexibly applied to various usage scenarios: centralized control in the equipment room, on-the-spot adjustment by the poolside, and remote management via smartphone. This meets multi-level needs from basic to intelligent control, offering intuitive and user-friendly operation.

- **Multi-Light Synchronization for Unified Lighting Effects:**

Supports synchronized on/off switching and lighting effect control for multiple underwater lights with a single tap, eliminating the complexity of operating lights individually. This ensures consistent lighting presentation across the entire pool, allowing for quick creation of complete illumination and ambiance.

- **Linked Switch Control for Automatic Operation with Equipment:**

Upon integration with the Tuya APP, the WL-APLM S supports linked control between underwater lights and other Tuya-compatible devices (such as pumps). This enables synchronized operation where the lights turn on automatically when the linked device starts and turn off when the device stops, providing an intuitive and reliable automated lighting control solution.

- **System-Compatible Design Supporting Smooth Upgrades:**

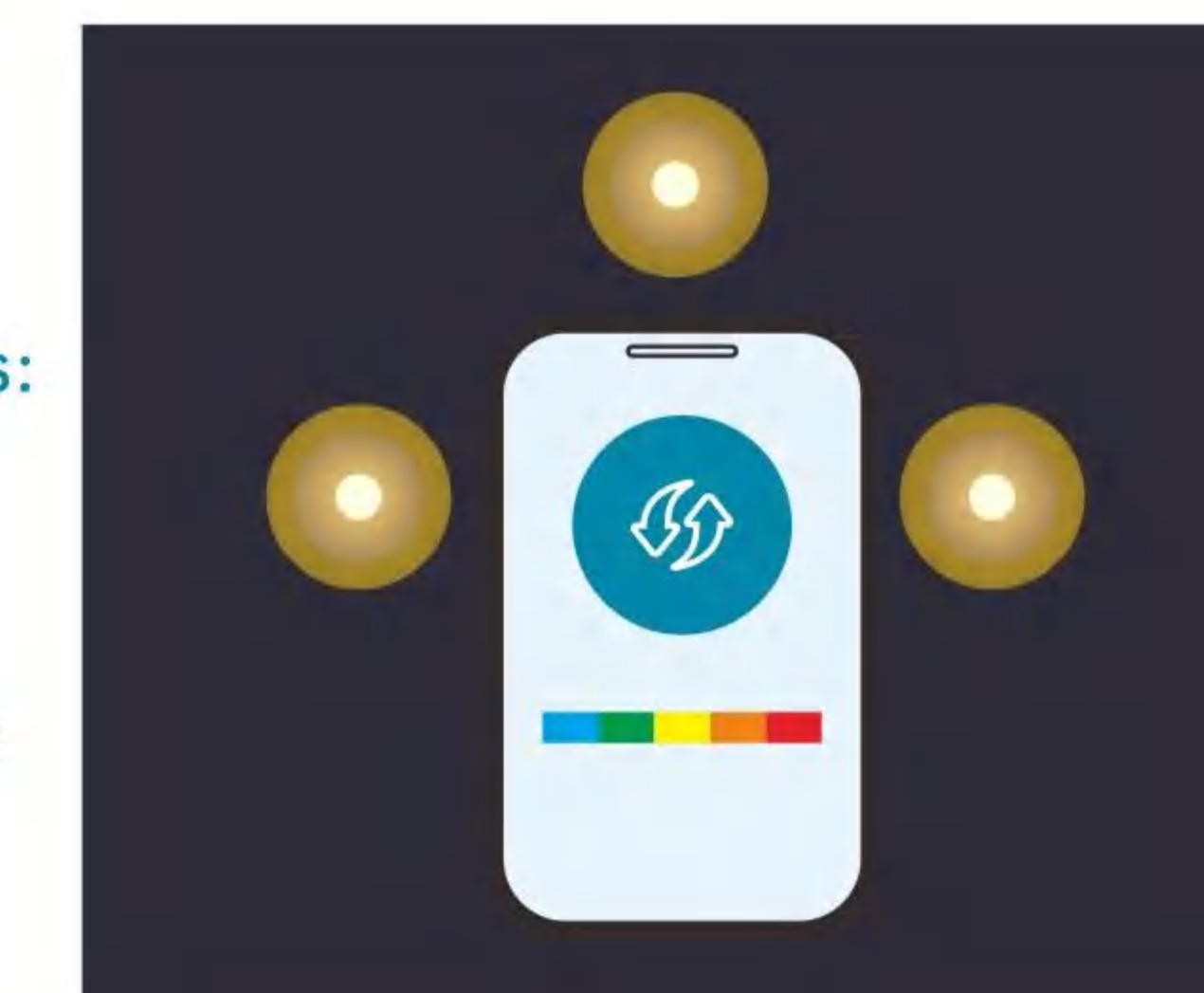
As the core lighting control unit, the Applume Plus-S is compatible with standard underwater lights. It allows for integration into existing systems without the need to replace fixtures or modify the original power supply and wiring structure, enabling a smooth upgrade from basic control to centralized, intelligent control.

- **Simple and Quick Installation, Suitable for New and Retrofit Projects:**

Utilizes a 12V AC or DC 12-24V power supply and a constant-current drive control scheme, eliminating the need for complex circuit modifications. With clear wiring logic, deployment can be completed simply by following the installation instructions. It is suitable for both new pool construction projects and upgrades to existing pool control systems.

- **Stable Protection Design Adapted to Pool Environments:**

Features an IPX4 splash resistance rating, capable of handling common moisture and splashing conditions found in pool equipment rooms and sheltered outdoor environments, ensuring long-term stable system operation.



LIGHT CONTROL BOX

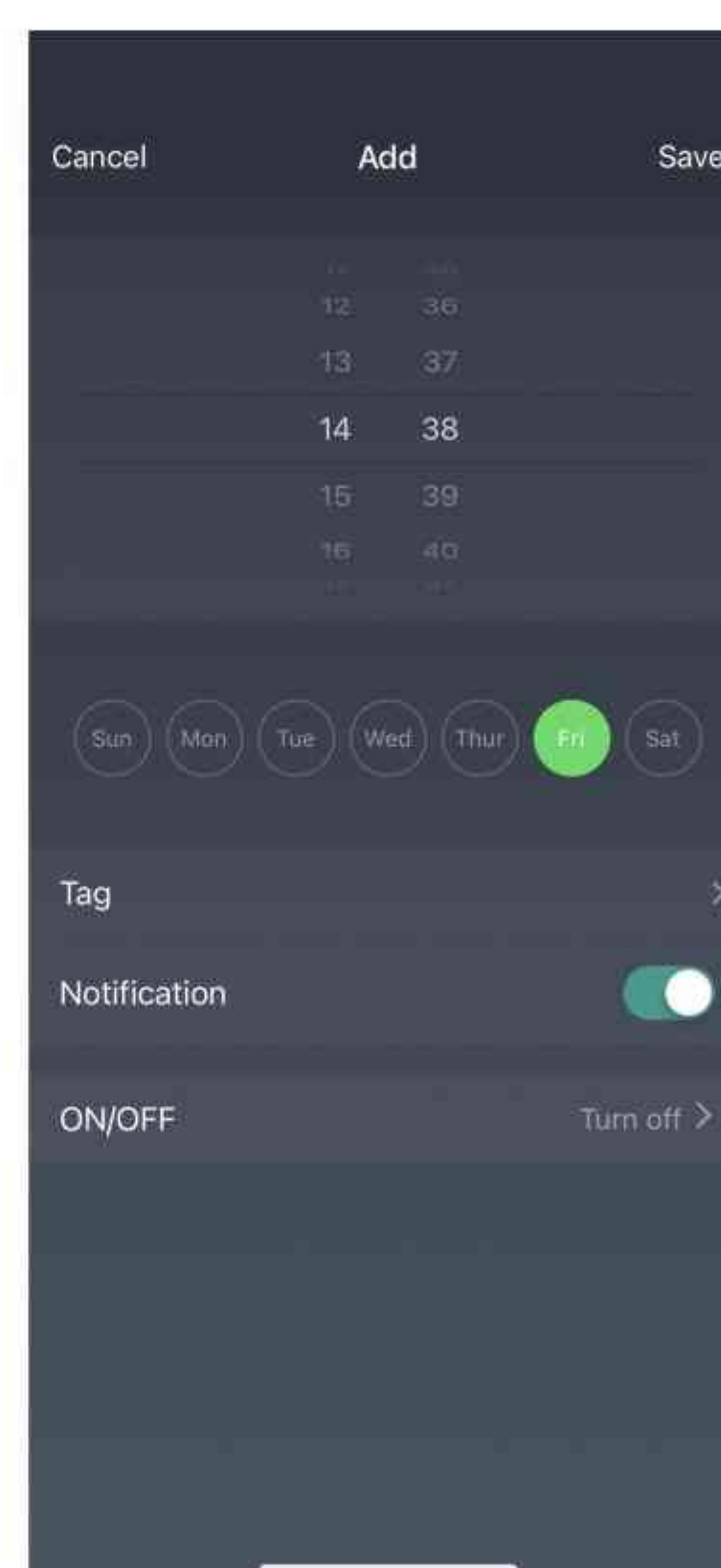
App Control Functions

You can also control your underwater lighting through the app for more convenient operation. Please search for "Tuya" on Google Play or the App Store to download the app and enable smart remote control of your underwater lighting.



Lighting Mode Switching/ Brightness Adjustment

You can use the app to achieve stepless adjustment of the light brightness according to your actual needs. Various rich lighting effects, including Color Mode and White Mode, can be easily adjusted via the app.



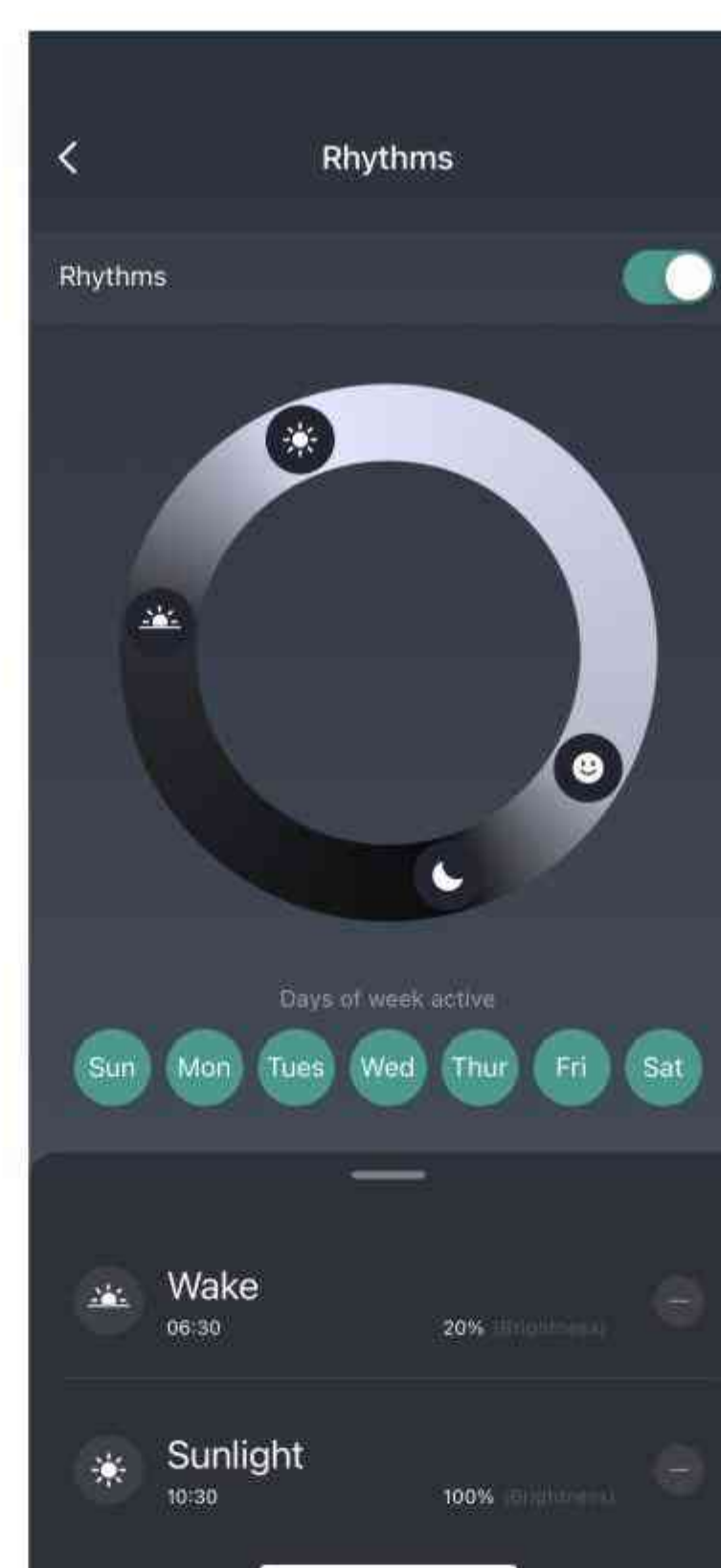
Timer Settings

You can set the switch-on/off times and duration for the pool lights. Once the set daily schedule is reached, the pool lights will automatically turn on and off.



Dual-Mode Scenes

Custom Scene: Set the light color, brightness, and pulse/breathing rate according to your personal preference to create dynamic underwater lighting effects tailored to you. Recommended Scene: Directly select from system-preconfigured scene modes. Optimized lighting effects can be activated quickly without manual parameter configuration.



Circadian Rhythm

You can fully configure and control the Circadian Rhythm mode of the underwater lights through the app, simulating the dynamic patterns of natural light changes.

Features:

- All of the AC12V and AC12-20V input LED lights can be controlled by this system.
- If the system is installed out-of-doors, a housing must be provided to prevent rain and sunlight.
- It is also better to keep the system away from electromagnetism radicalization.
- One system can control the LED lights with total power not more than 100W.
- Electrical overload & leakage protection.
- Easy and simple operation with 4 keys.



LIGHT CONTROL BOX

Model	Description	Remote controller	Remote control area
WL-LED-YAQ01	Control box with transformer 100W, input 110-220V, output AC12V	With	100 meters
WL-LED-YAQ02	Control box without transformer, input AC12V, output AC12V	With	100 meters

Product Parameters

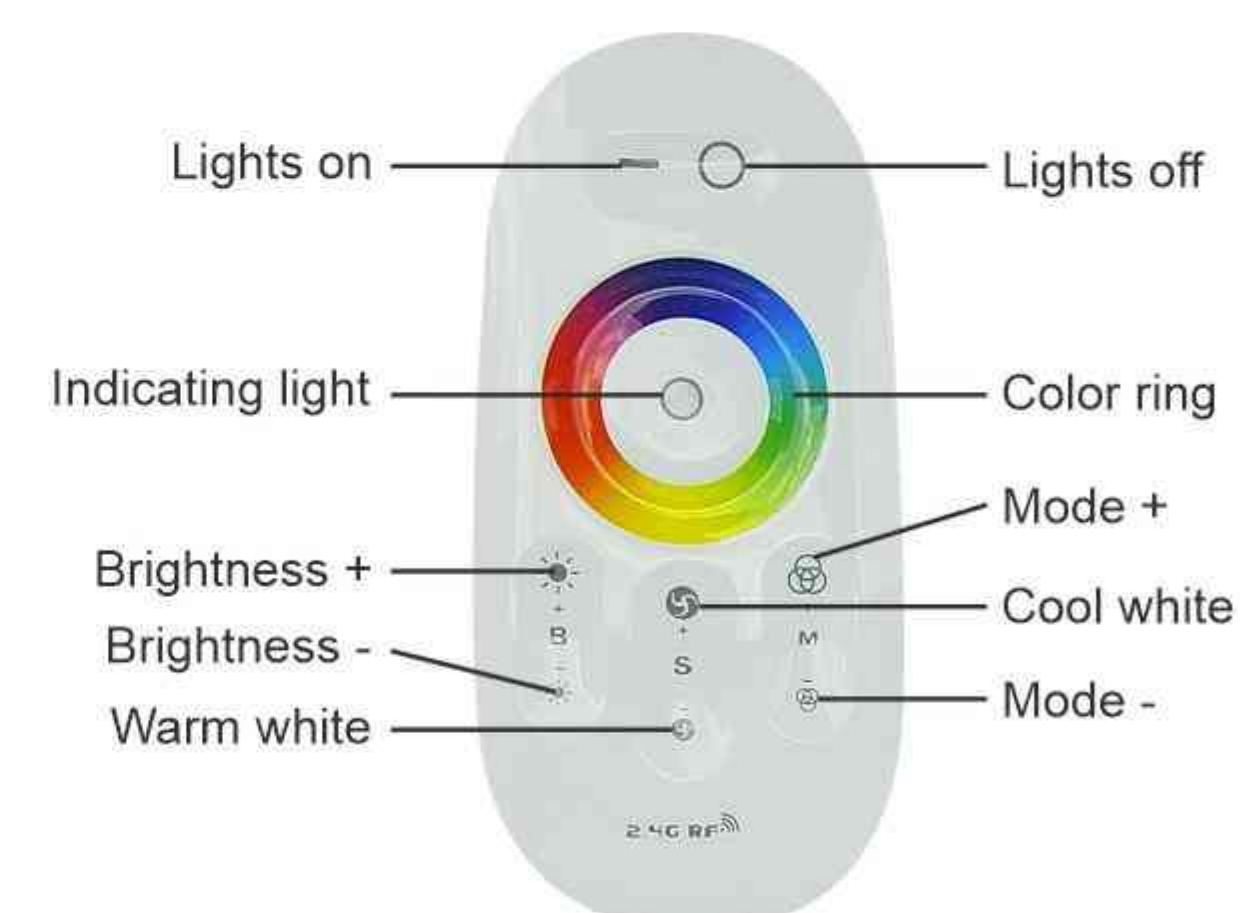
Controller Type for Underwater Lights	Compatible Underwater Light Types	
WL-APLM D	PE20/PE20C/PE Y25T/PS Y25T	
WL-APLM S	Traditional Pre-Set Mode Underwater Lights	
Parameter Name	WL-APLM D	WL-APLM S
Power Input	12V-24V	12/12-24V
Current Output	Not Limited	10A MAX
Communication Method	UART Signal	Relay Control for Power Switching
Product Dimensions	153x85x29mm	
Remote Control Distance	30 meters (line-of-sight, unobstructed)	
Operating Environment	Temperature: 0°C - 45°C	



RGBW TOUCH CONTROLLER

This control system uses the advanced microcomputer technology to easily control the LED underwater lights, with thousands colors and 12 automatic change modes to choose from. With 2.4G wireless high frequency remote control technology, it has the characteristics of lower power consumption, long distance transmission, and strong anti-interference capability, high speed telecommunication, etc. All buttons are with sensitive touch function to achieve color changing and brightness dimming.

- Model: WL-LED-YAQ06.
- Input power: AC100-230V/47-63Hz/1200mA.
- Output power: DC12V/5A/60W.
- Effective control of distance : 30 meters.
- Programs: 12 modes.



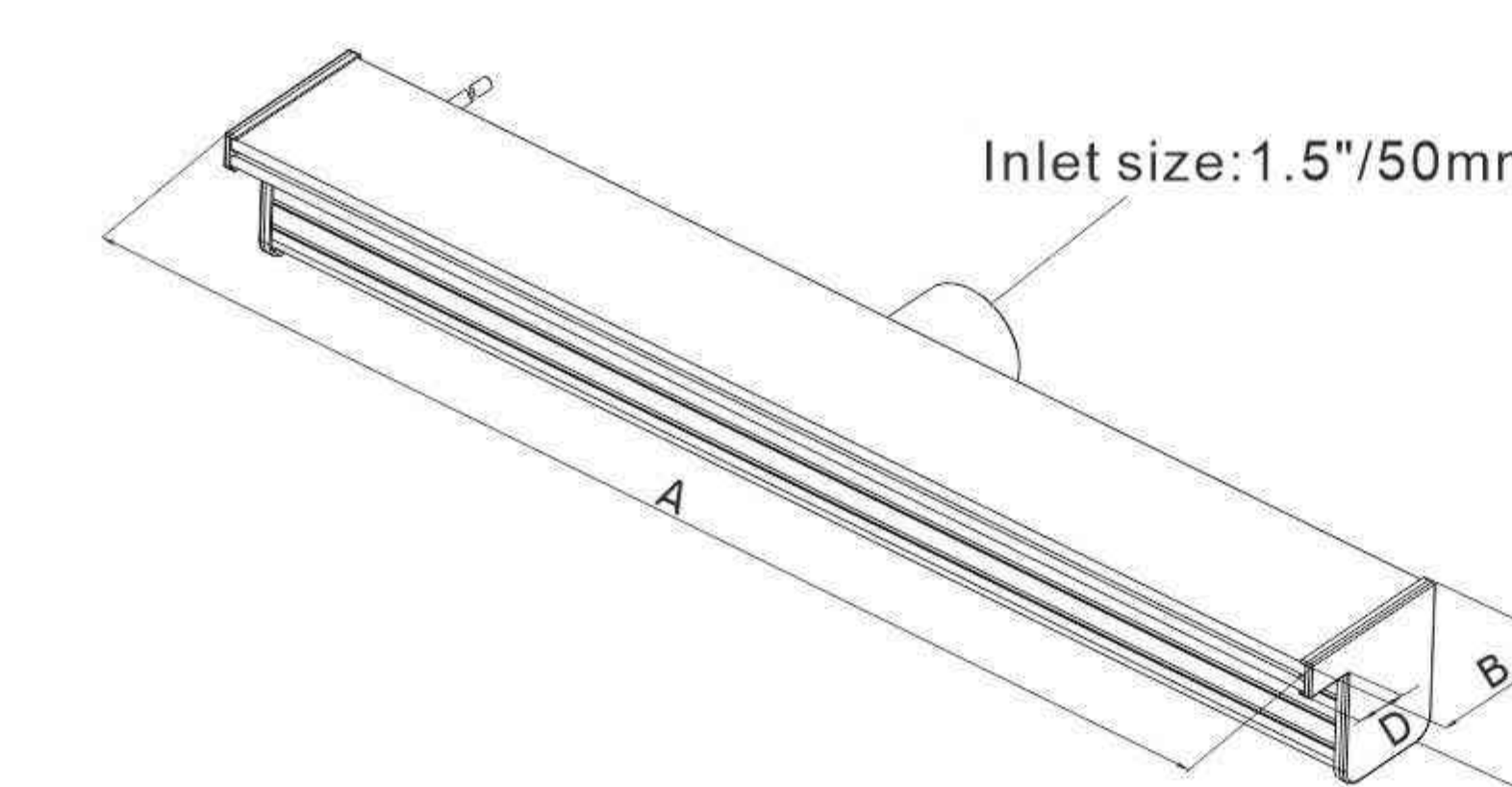
WATER DESCENT WL-WDA

The water descent are suitable for installation on finished walls and new construction walls.

Product design unique, novel, beautiful; with the optional RGB LED strip, the unit provides you colourful waterfall, which will bring elegance and visual interest to your life; Efficient to hide outlet, to a beautiful linear effect the water.

Features:

- The water descent can be widely used in swimming pool, parks or gardens.
- Different lengths available: 300mm, 600mm, 900mm, 1200mm, 1500mm.
- Free choice: with or without led strip.
- Safety power DC12V output is more reliable and security.
- Multiple color is available to switch by remote controller.
- The LED lights can be operated through remote control, 18 light modes are available.
- Lip: 25mm.



TRANSFORMER



Water-proof Transformer For Pool Lights

Model	Description	Power (W)	Waterproof standard
WL-FSBY50	Transformer 50W, input AC110V/220V, output AC12V	50W	IP44/IP68
WL-FSBY100	Transformer 100W, input AC110V/220V, output AC12V	100W	IP44/IP68
WL-FSBY150	Transformer 150W, input AC110V/220V, output AC12V	150W	IP44/IP68
WL-FSBY200	Transformer 200W, input AC110V/220V, output AC12V	200W	IP44/IP68
WL-FSBY250	Transformer 250W, input AC110V/220V, output AC12V	250W	IP44/IP68
WL-FSBY300	Transformer 300W, input AC110V/220V, output AC12V	300W	IP44/IP68
WL-FSBY400	Transformer 400W, input AC110V/220V, output AC12V	400W	IP44/IP68
WL-FSBY600	Transformer 600W, input AC110V/220V, output AC12V	600W	IP44/IP68

Technical Data

Model	A (mm)	B (mm)	C (mm)	D (mm)	LED	Type Of Wall Installation
WDA300-25	300	138	79	25	----	Existing wall
WDA600-25	600	138	79	25	----	Existing wall
WDA900-25	900	138	79	25	----	Existing wall
WDA1200-25	1200	138	79	25	----	Existing wall
WDA1500-25	1500	138	79	25	----	Existing wall
WDA300-25L	300	138	79	25	DC 12V/4W	Existing wall
WDA600-25L	600	138	79	25	DC 12V/8W	Existing wall
WDA900-25L	900	138	79	25	DC 12V/12W	Existing wall
WDA1200-25L	1200	138	79	25	DC 12V/17W	Existing wall
WDA1500-25L	1500	138	79	25	DC 12V/22W	Existing wall



Control system with transformer



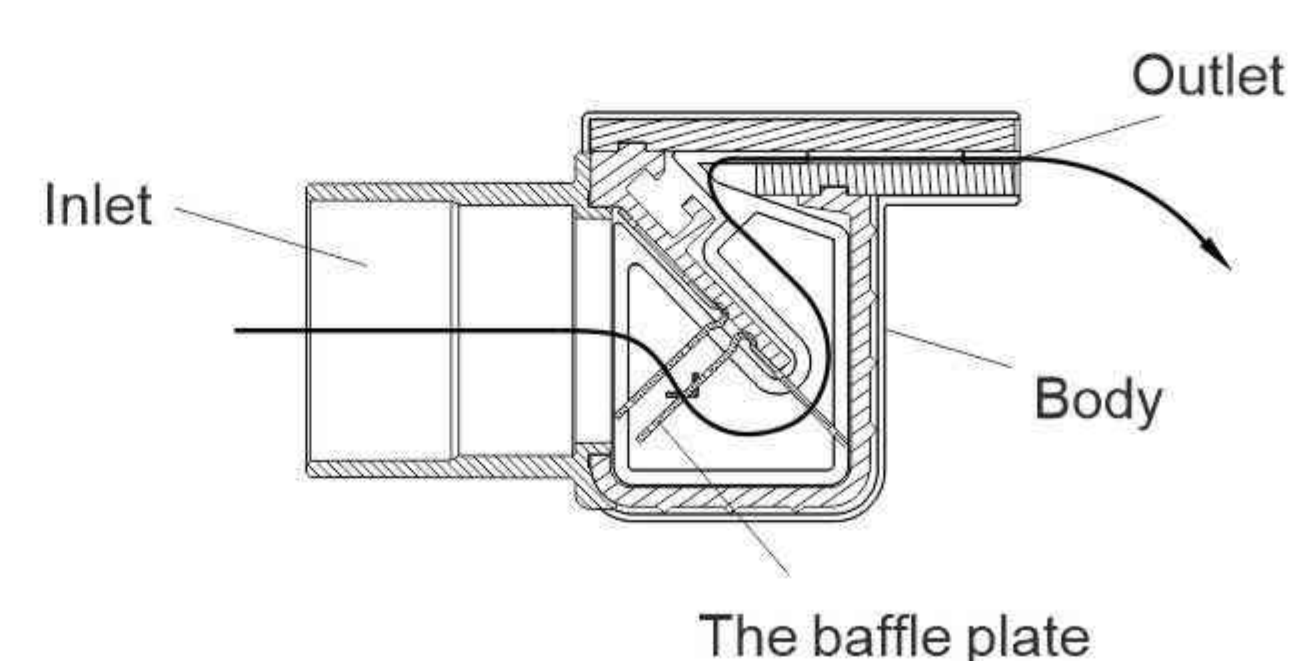
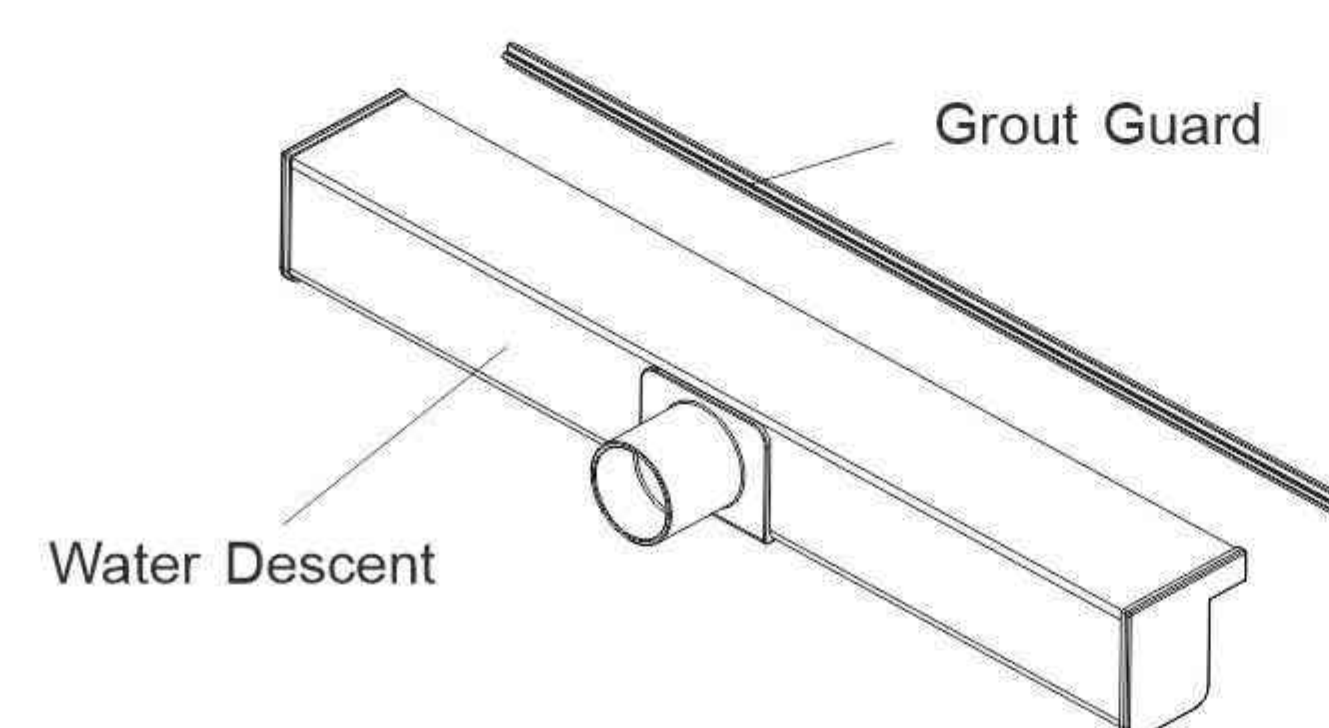
Transformer



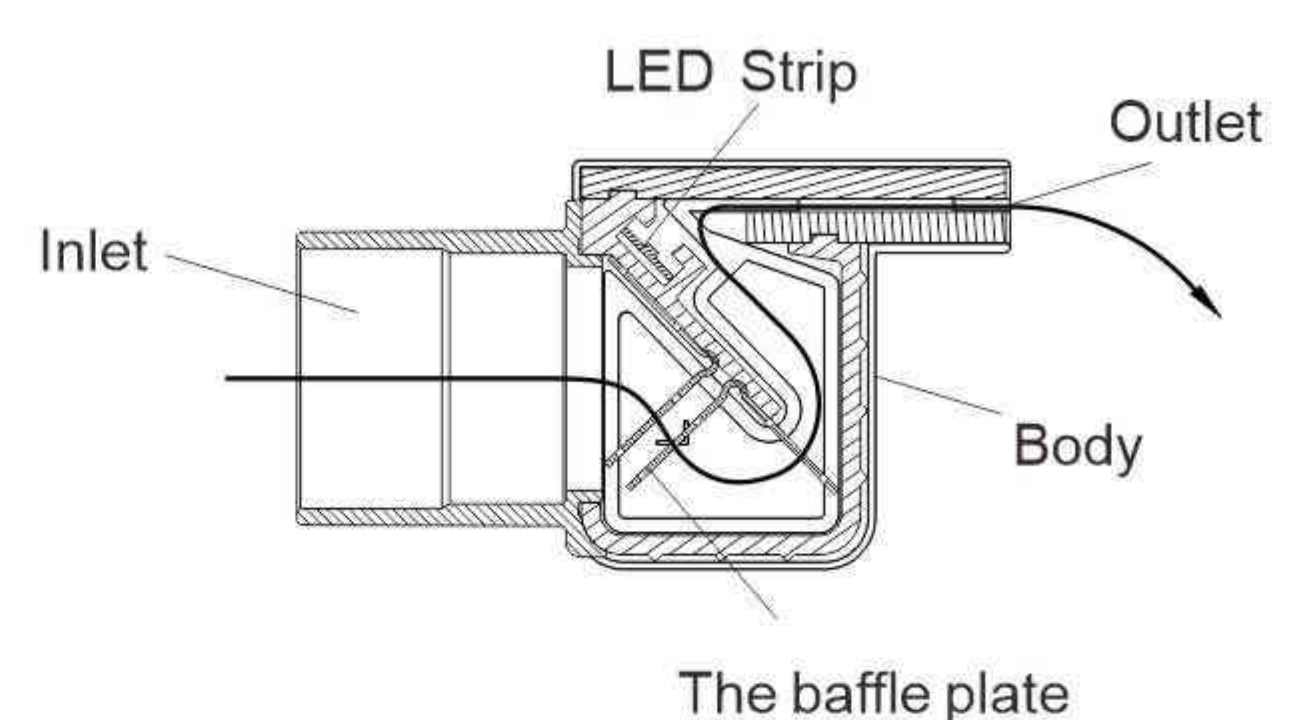
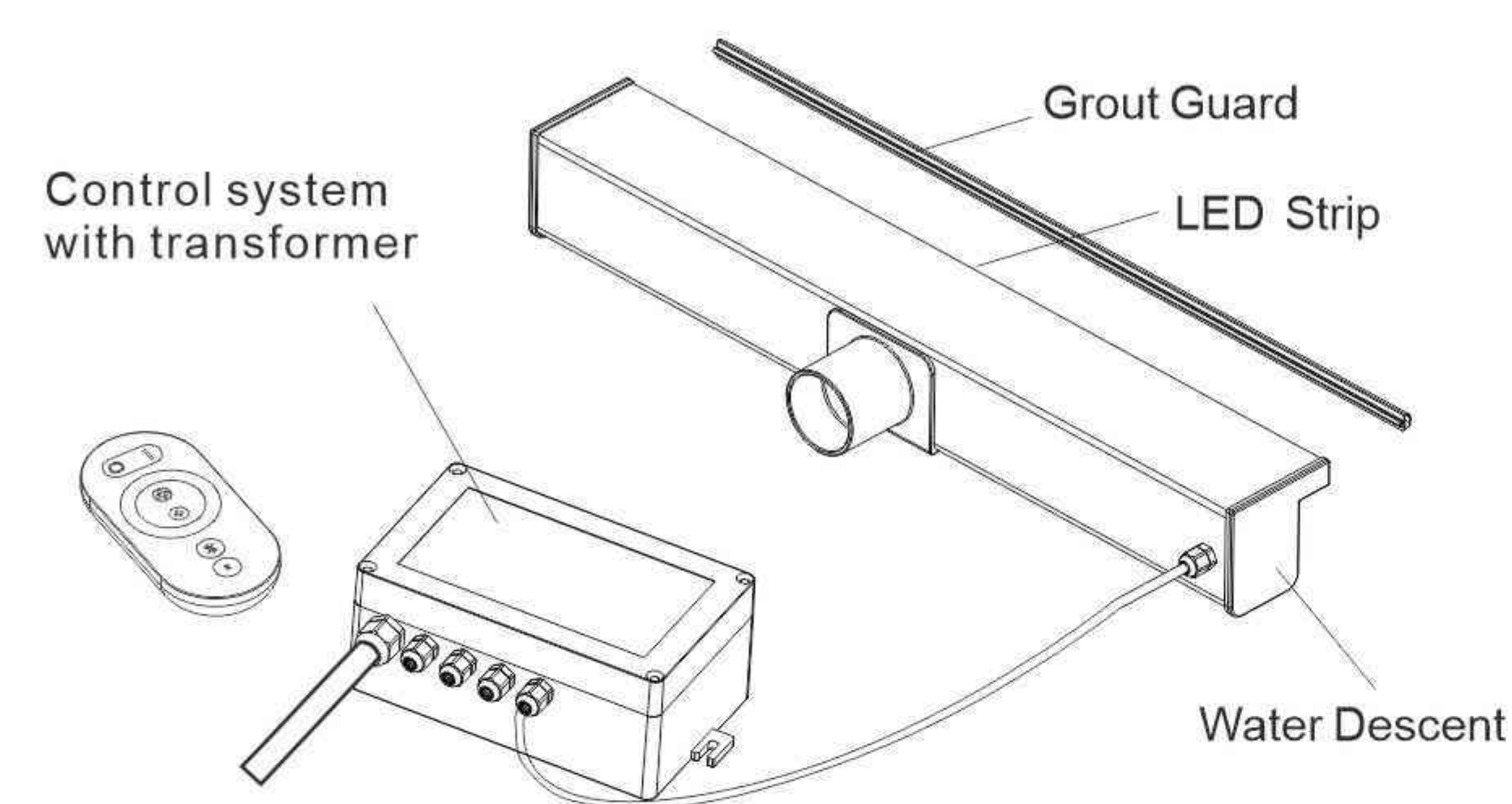
Control board+controller

Specification:

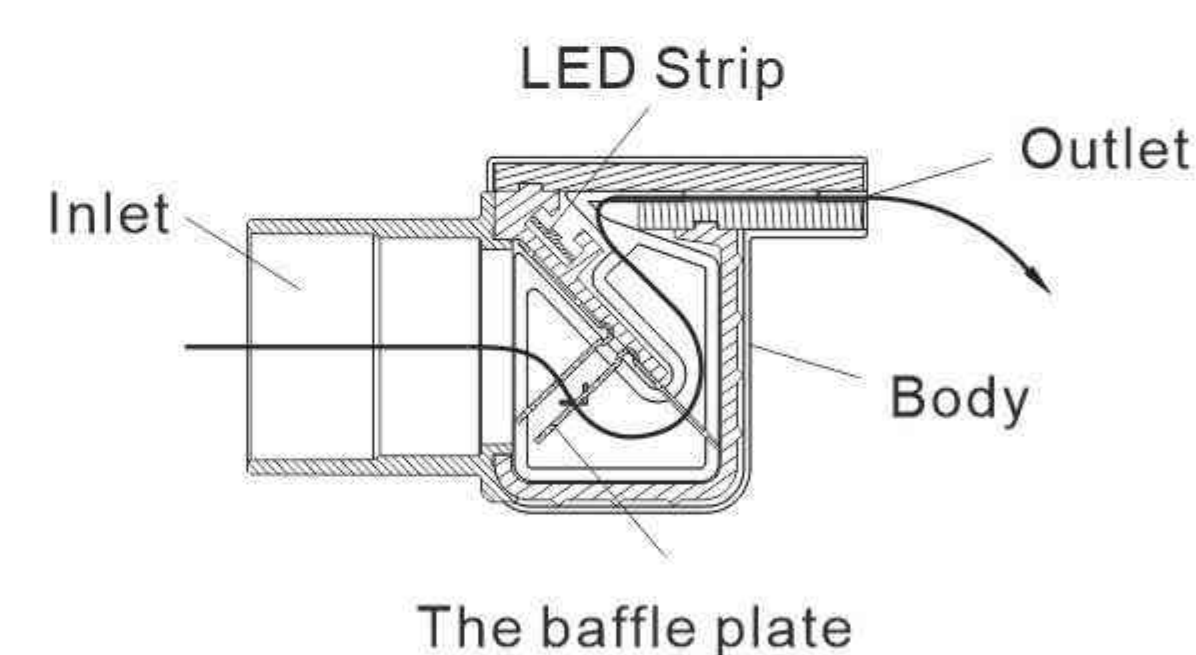
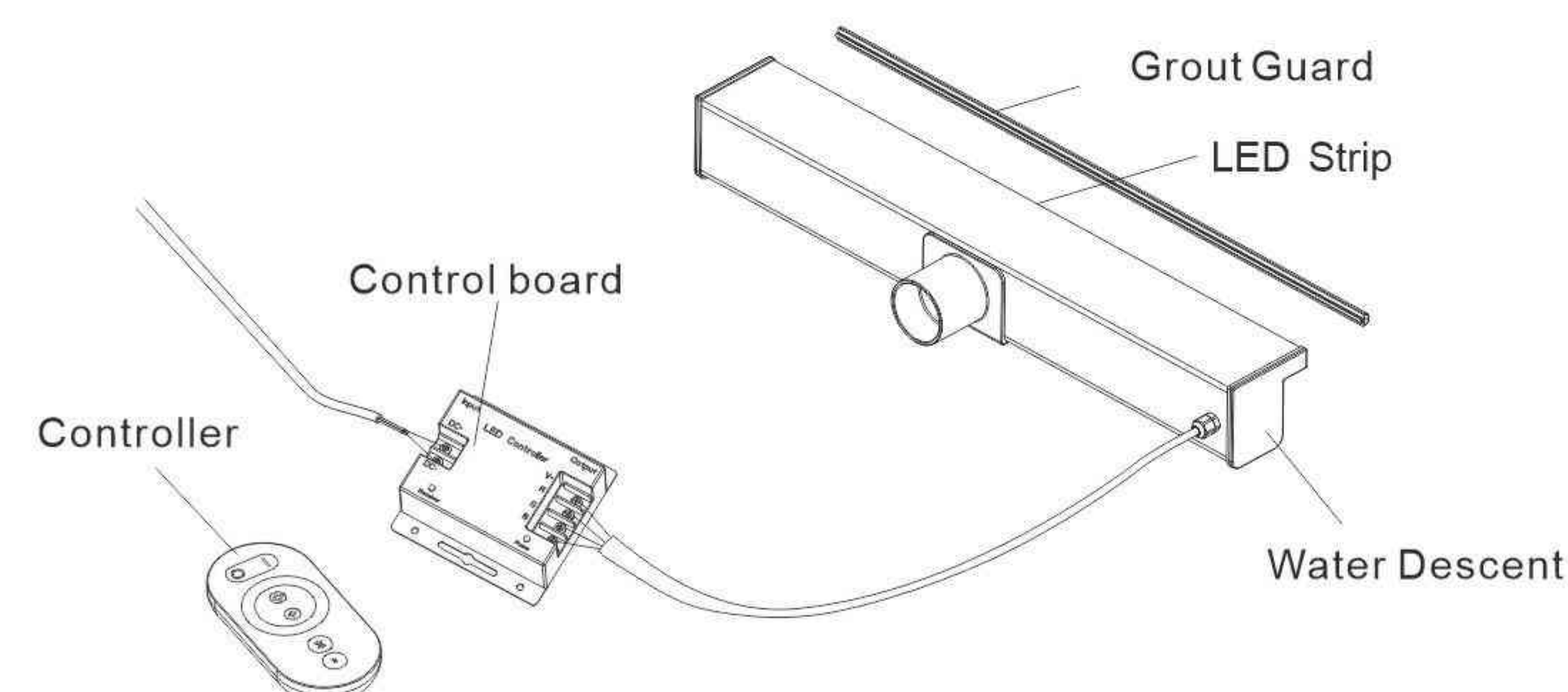
- Water descent



- Water descent with control system & transformer

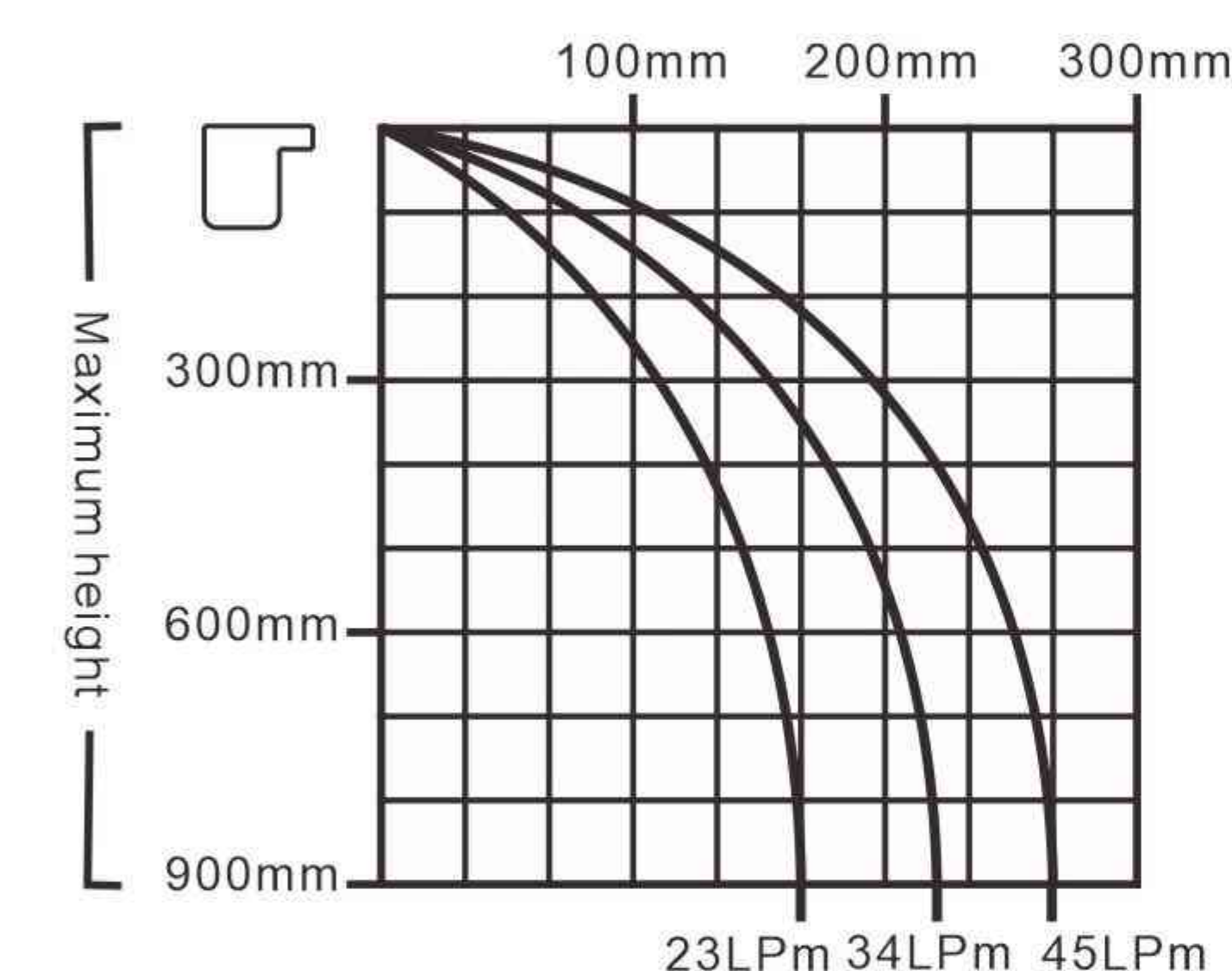


- Water descent with control board+controller

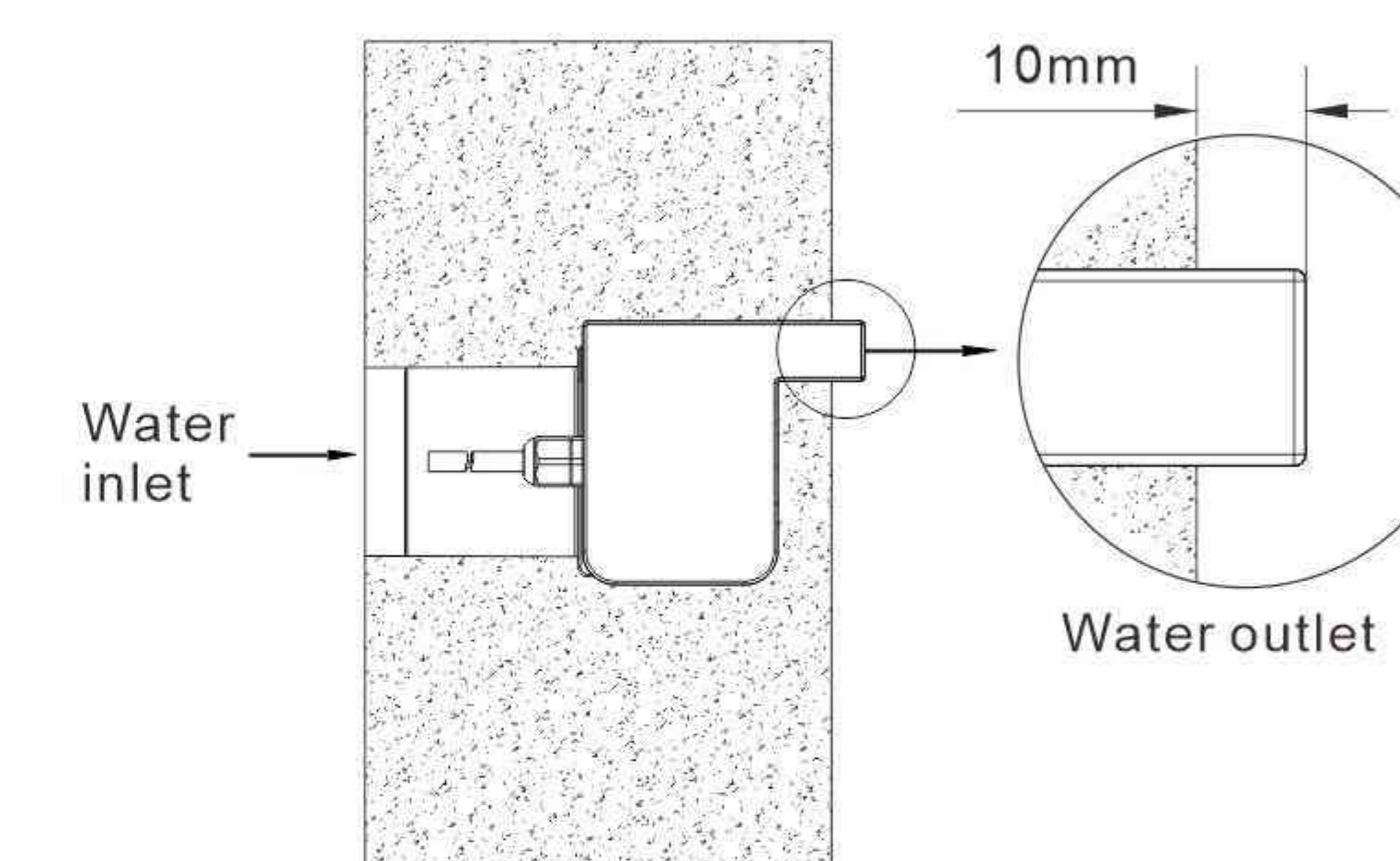


Note: Must be mounted in a waterproof enclosure.

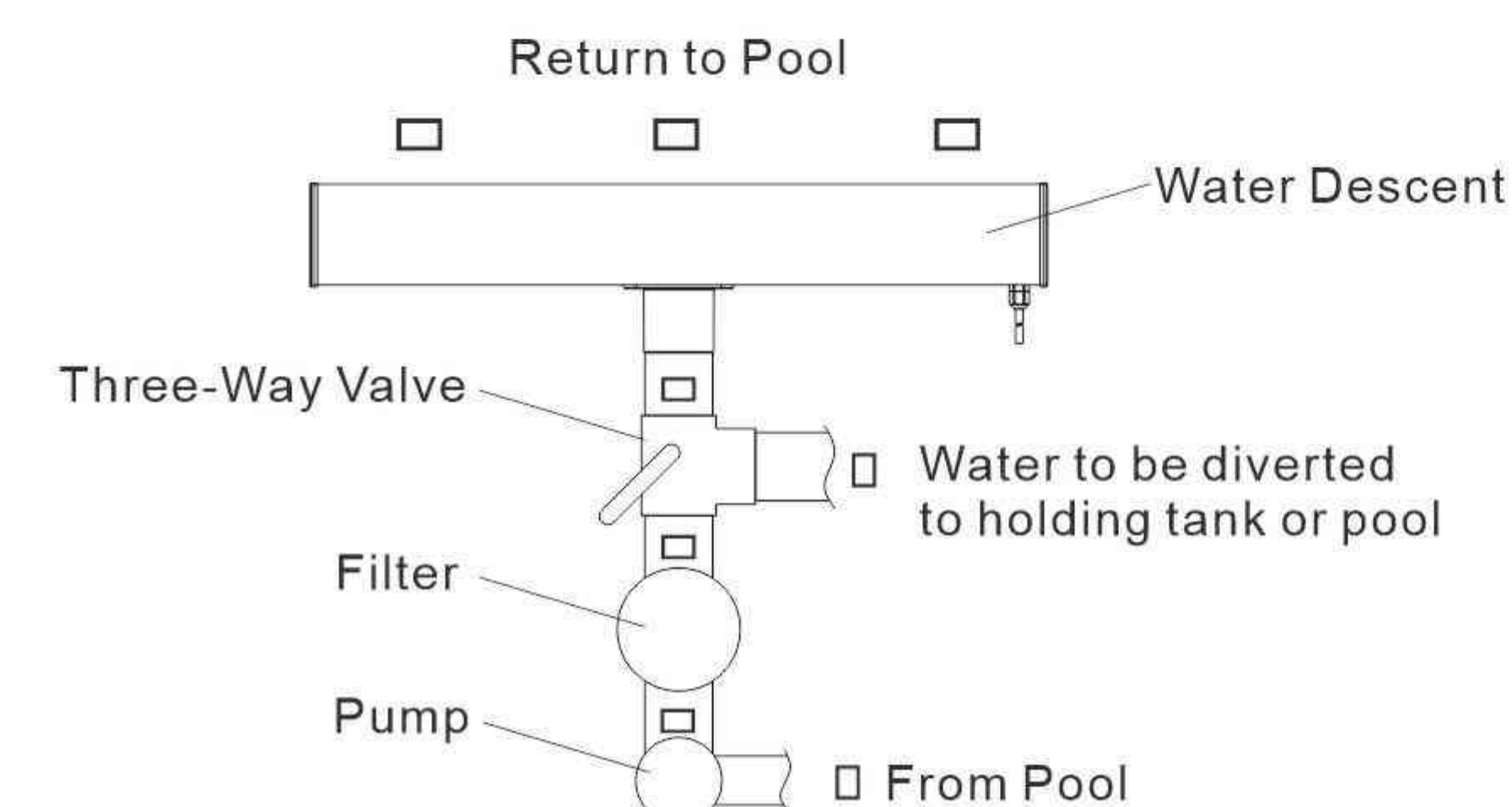
Approximate projection of sheet of water per 300mm of waterfall length



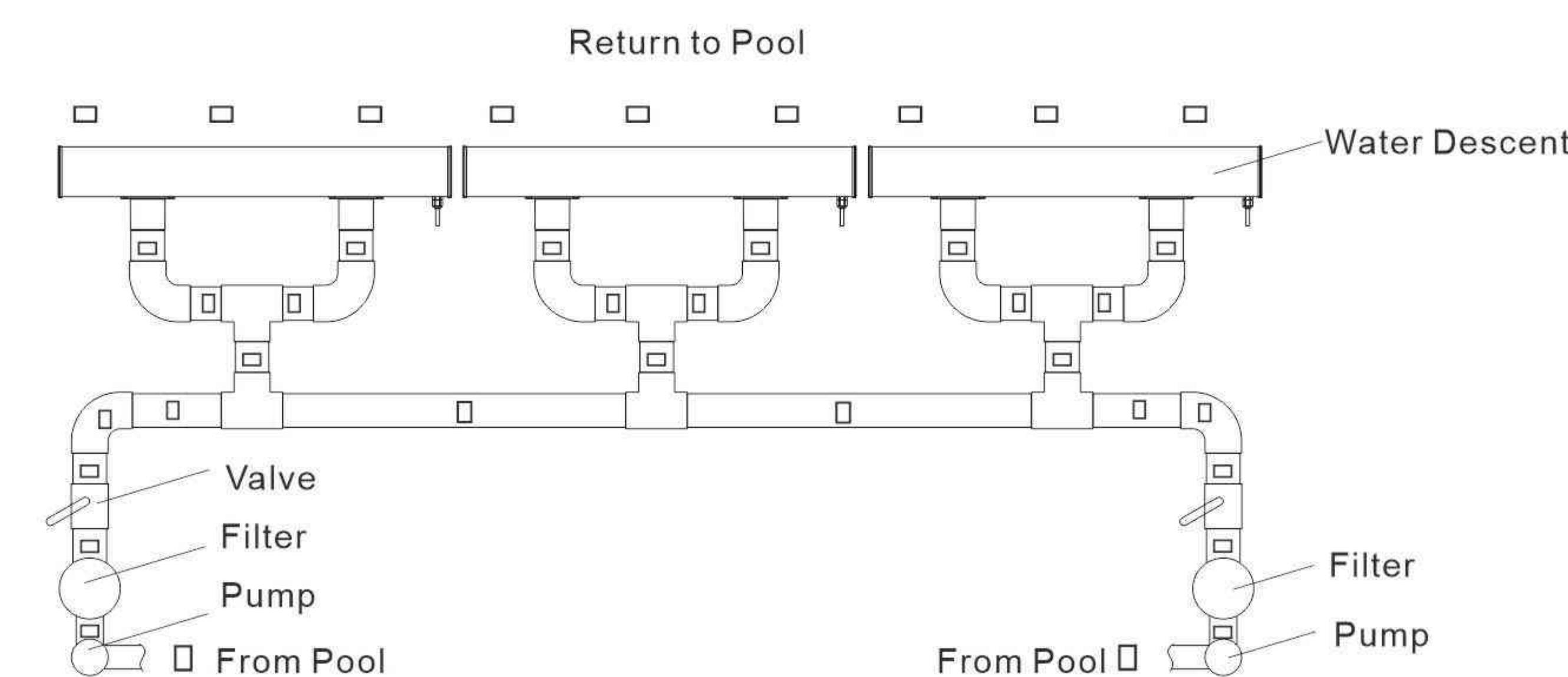
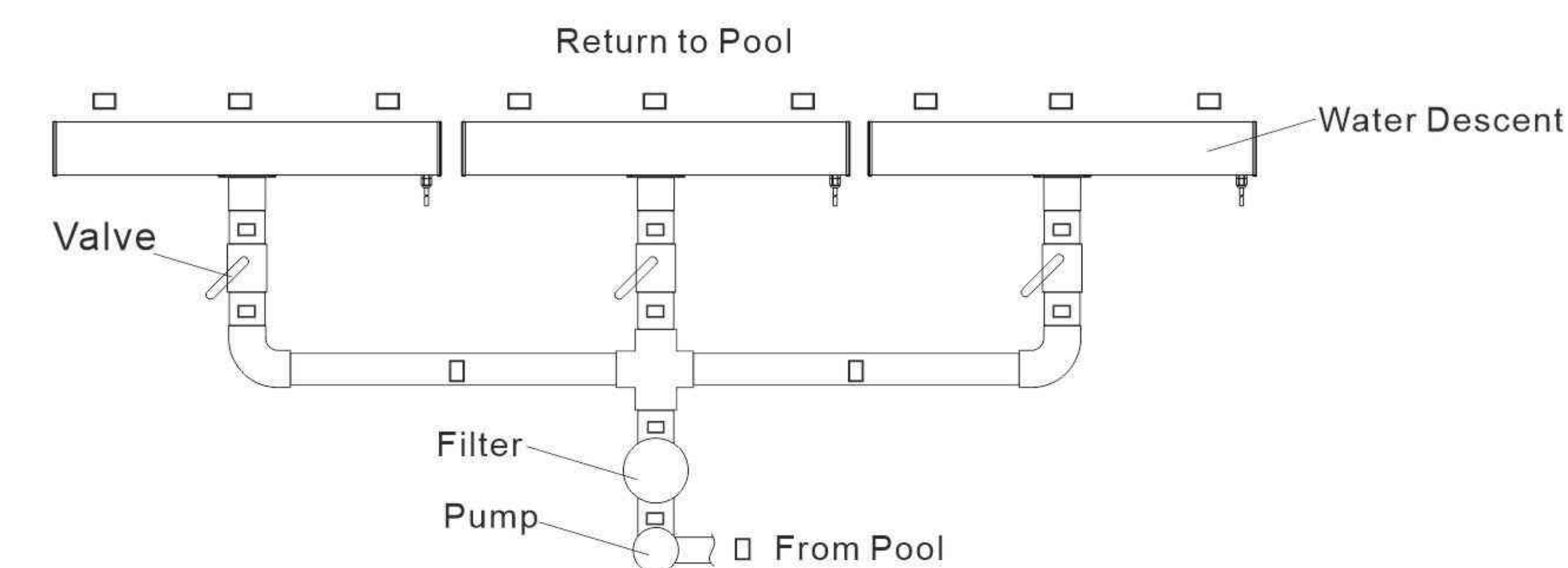
Waterfall installation icon applies to existing wall styles



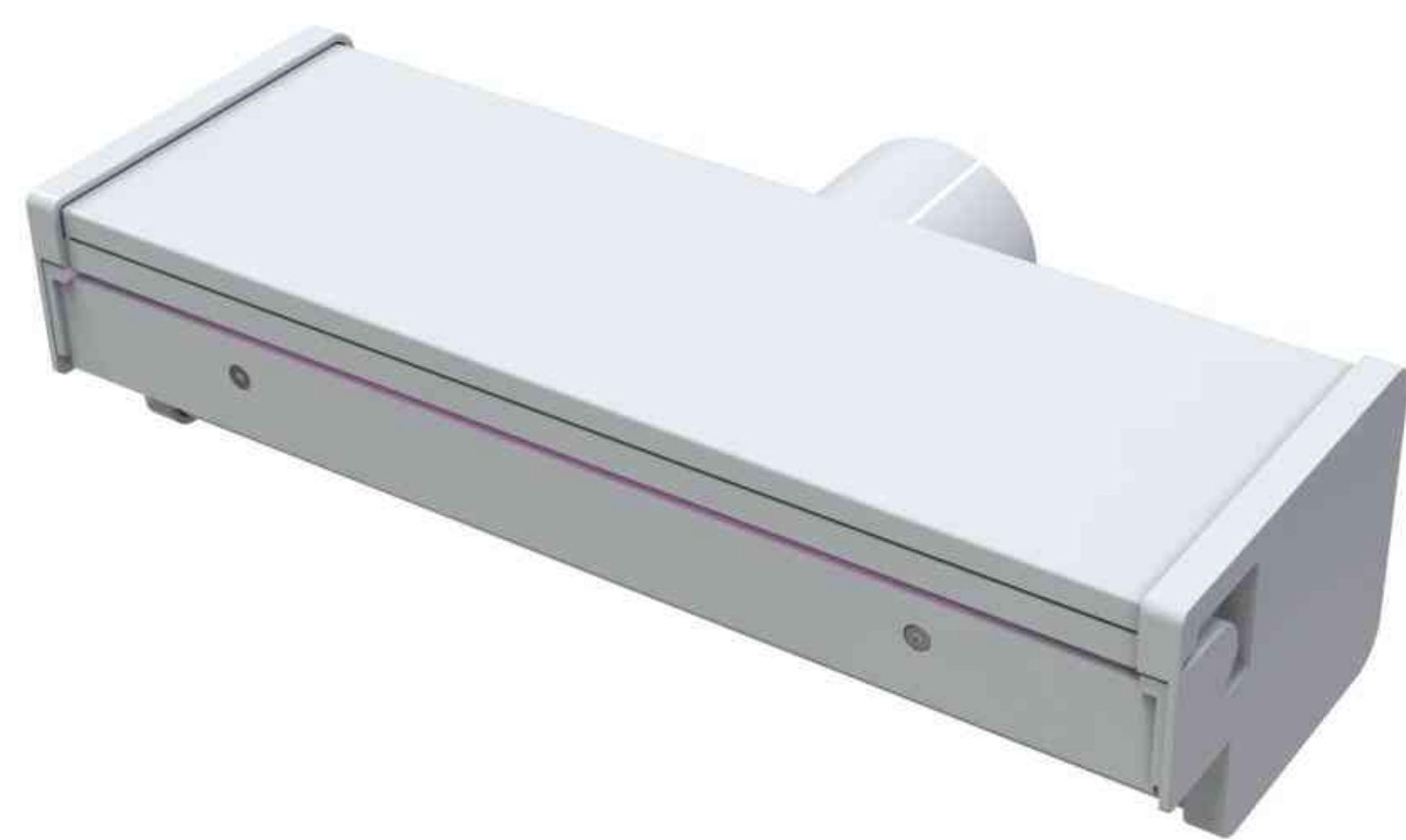
Installation for piping single unit with ball valve



Multiple units ball valve. (It is best to valve each unit)



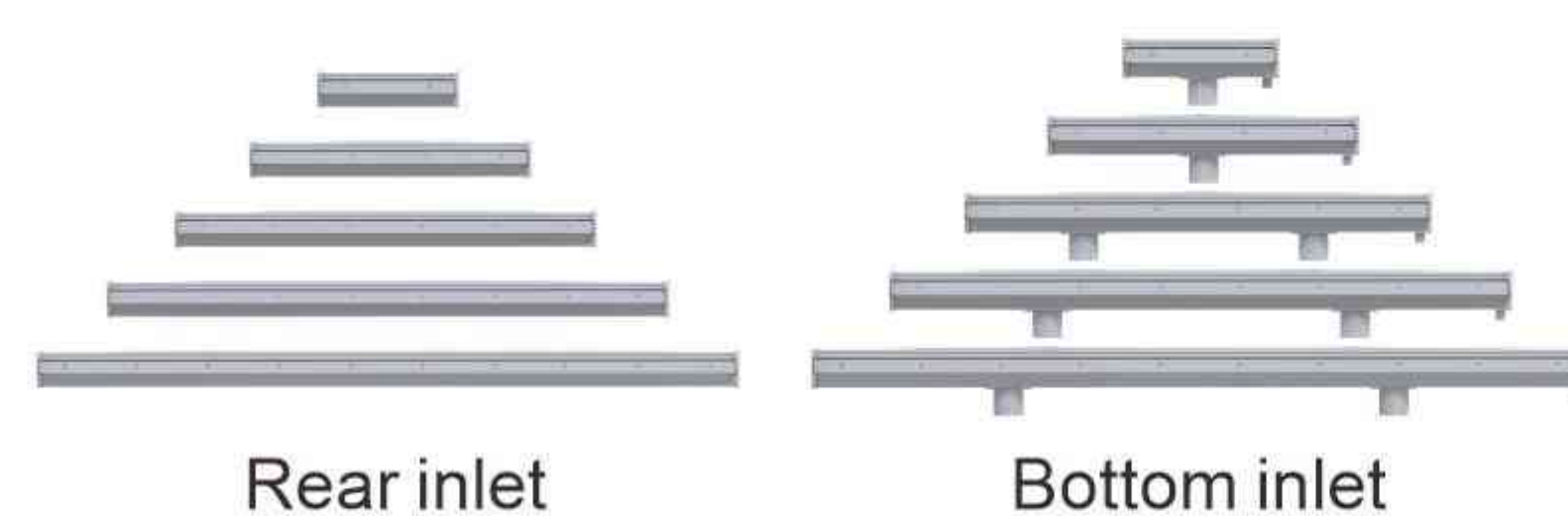
WGL WATER DESCENT



Waterfall Glow, Defining Luxury Water Aesthetics
WaveGlow provides you colourful waterfall, which will bring elegance and visual interest to your life, efficient to hide outlet, creating a beautiful linear effect the water.

Main features:

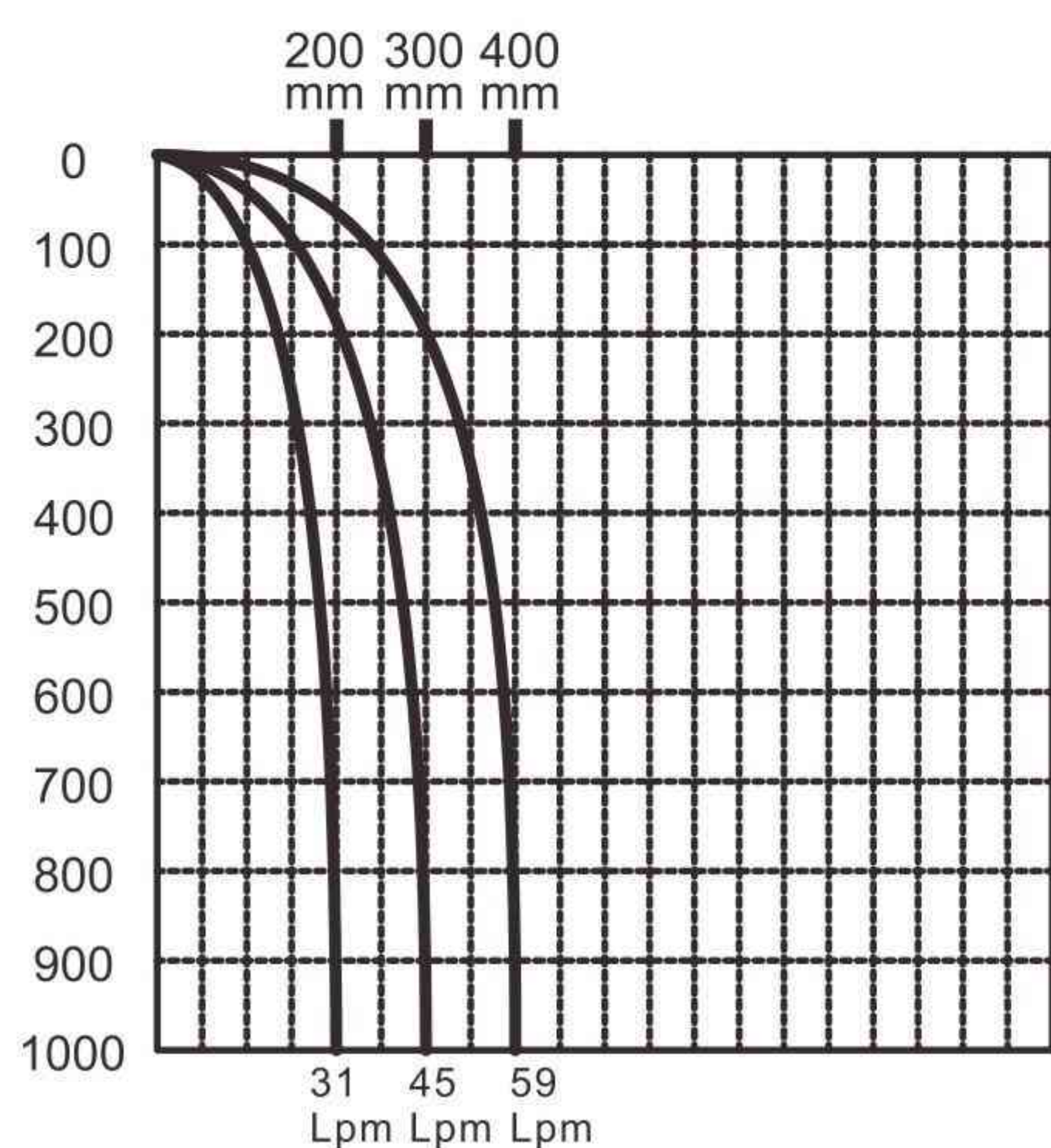
- With 13 preset light modes, the waterfall descent can be controlled via a 2.4G remote, and you can also customize the colors to suit your preference.
- Light strip detachable design, easy maintenance.
- It can self-network to achieve synchronized lighting effects throughout the entire pool.
- Available with bottom or rear inlet, meet different installation requirement.
- Different lengths are available : 300mm, 600mm, 900mm, 1200mm, 1500mm.



Products parameters

Model	Power (W)	Voltage	Material	Length (mm)	LED QTY. (pcs)	Cable Length (m)	Colour	Remark
WGL300-25D	3	DC24V	UPVC	300	28	3	RGB	Bottom inlet
WGL300-25B	3	DC24V	UPVC	300	28	3	RGB	Rear inlet
WGL600-25D	6	DC24V	UPVC	600	56	3	RGB	Bottom inlet
WGL600-25B	6	DC24V	UPVC	600	56	3	RGB	Rear inlet
WGL900-25D	9	DC24V	UPVC	900	84	3	RGB	Bottom inlet
WGL900-25B	9	DC24V	UPVC	900	84	3	RGB	Rear inlet
WGL1200-25D	12	DC24V	UPVC	1200	112	3	RGB	Bottom inlet
WGL1200-25B	12	DC24V	UPVC	1200	112	3	RGB	Rear inlet
WGL1500-25D	15	DC24V	UPVC	1500	140	3	RGB	Bottom inlet
WGL1500-25B	15	DC24V	UPVC	1500	140	3	RGB	Rear inlet

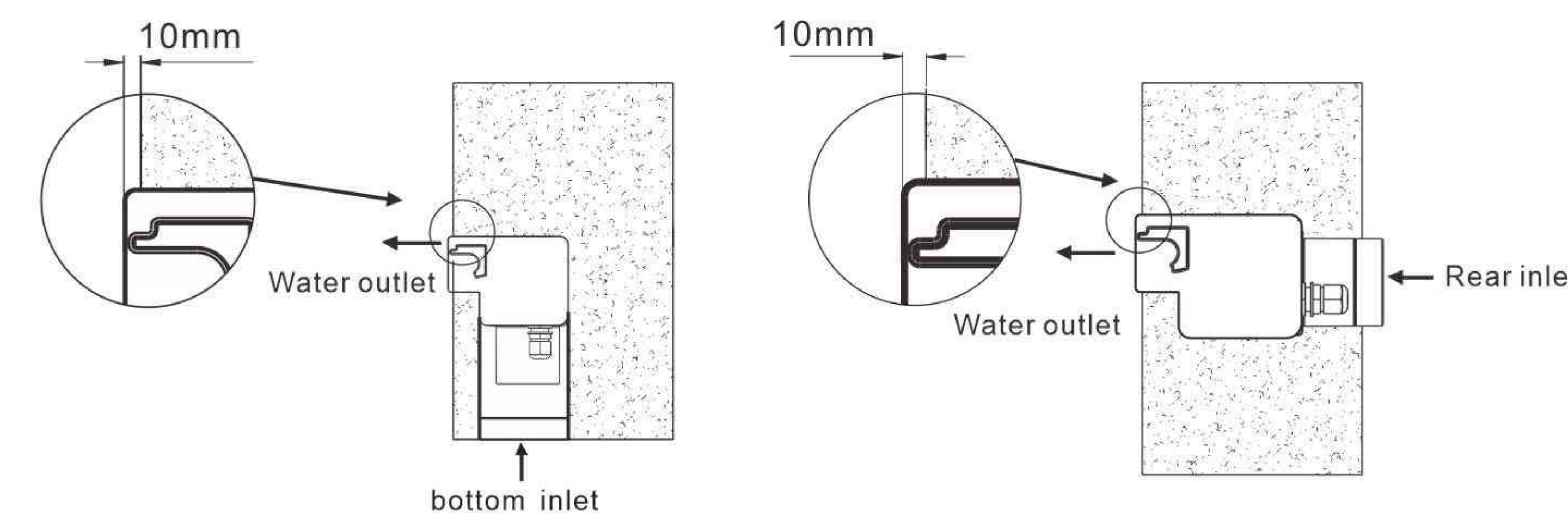
Flow rate chart & parameter table



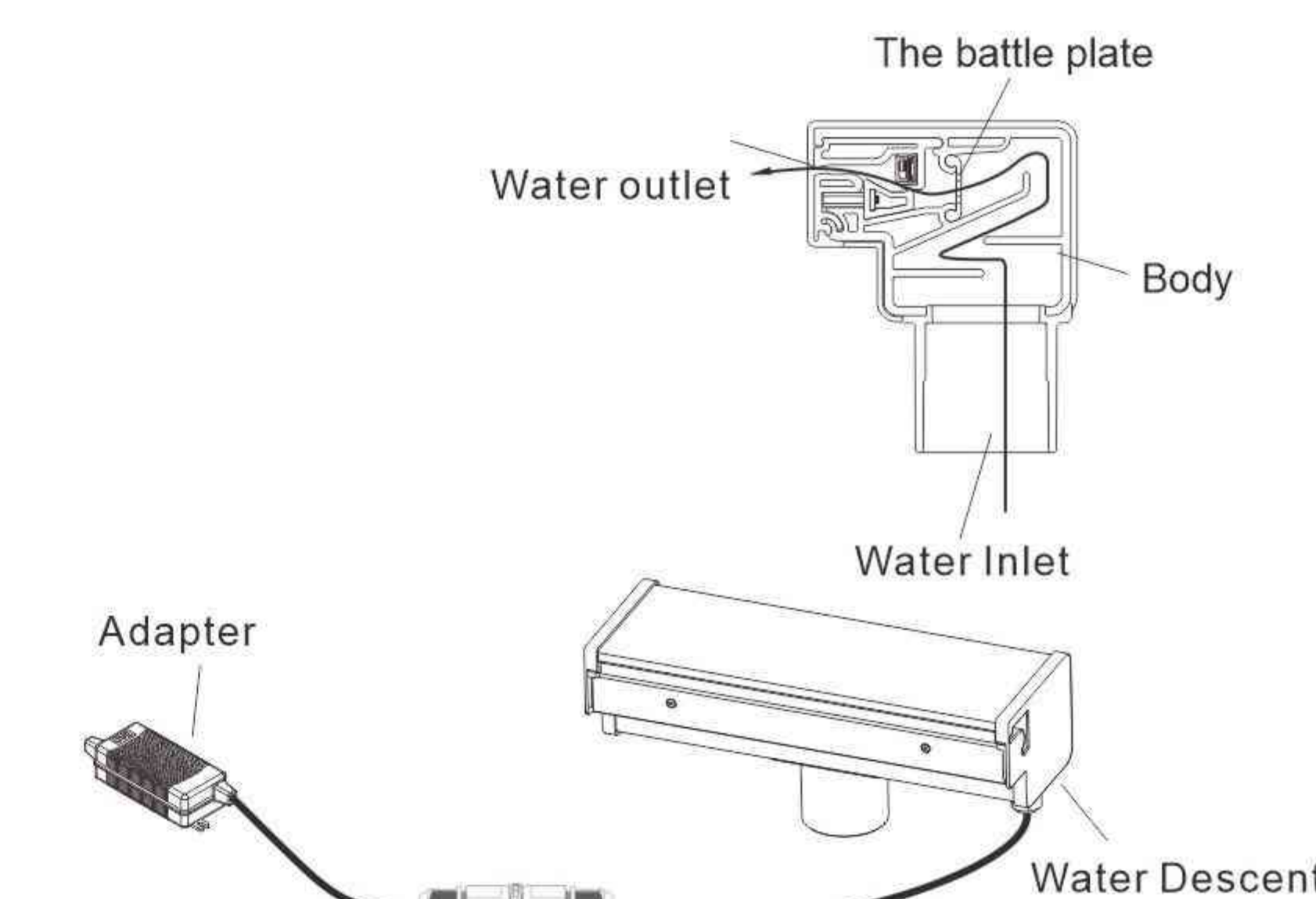
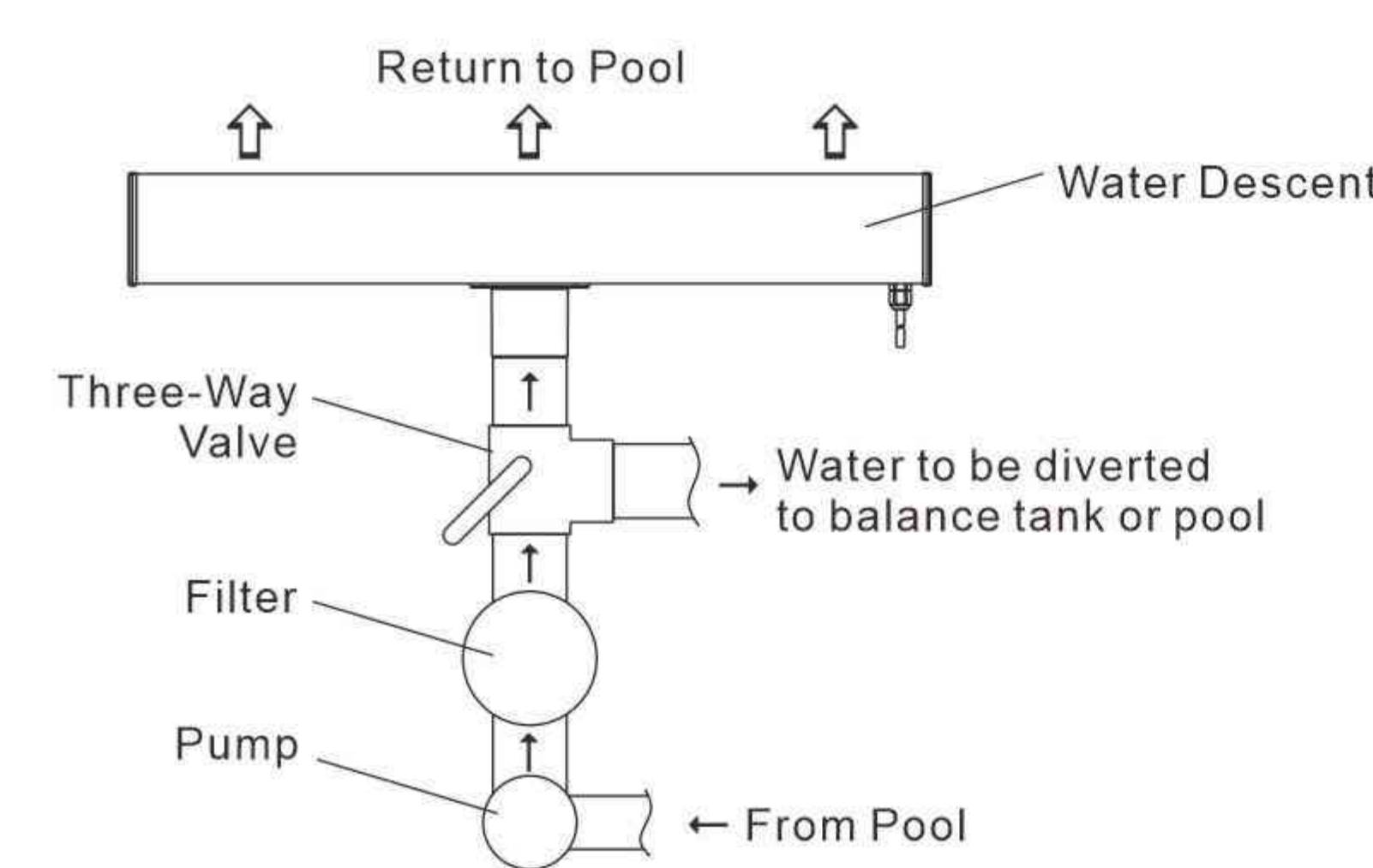
Model	200mm	300mm	400mm
WGL300-25D/25B	31Lpm	45Lpm	59Lpm
WGL600-25D/25B	73Lpm	100Lpm	133Lpm
WGL900-25D/25B	95Lpm	127Lpm	168Lpm
WGL1200-25D/25B	118Lpm	153Lpm	202Lpm
WGL1500-25D/25B	140Lpm	179Lpm	236Lpm

Installation diagram

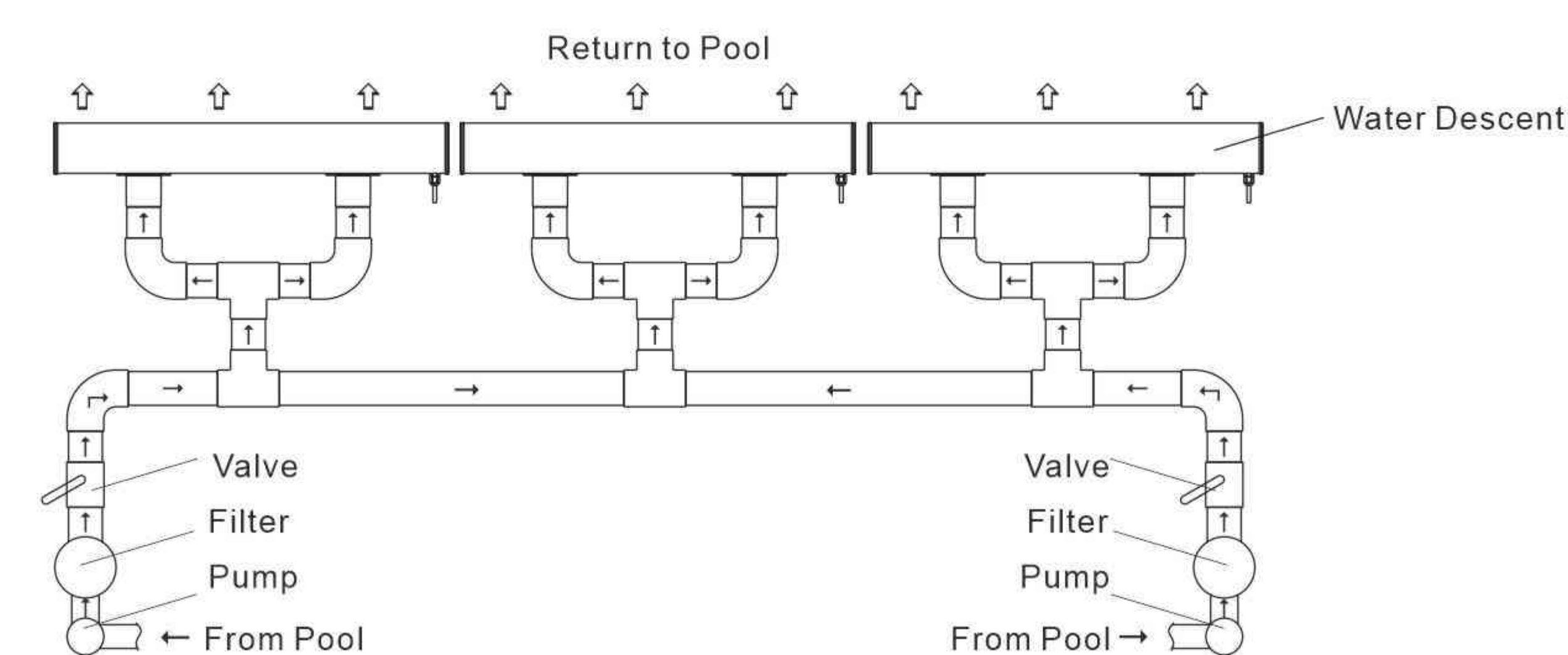
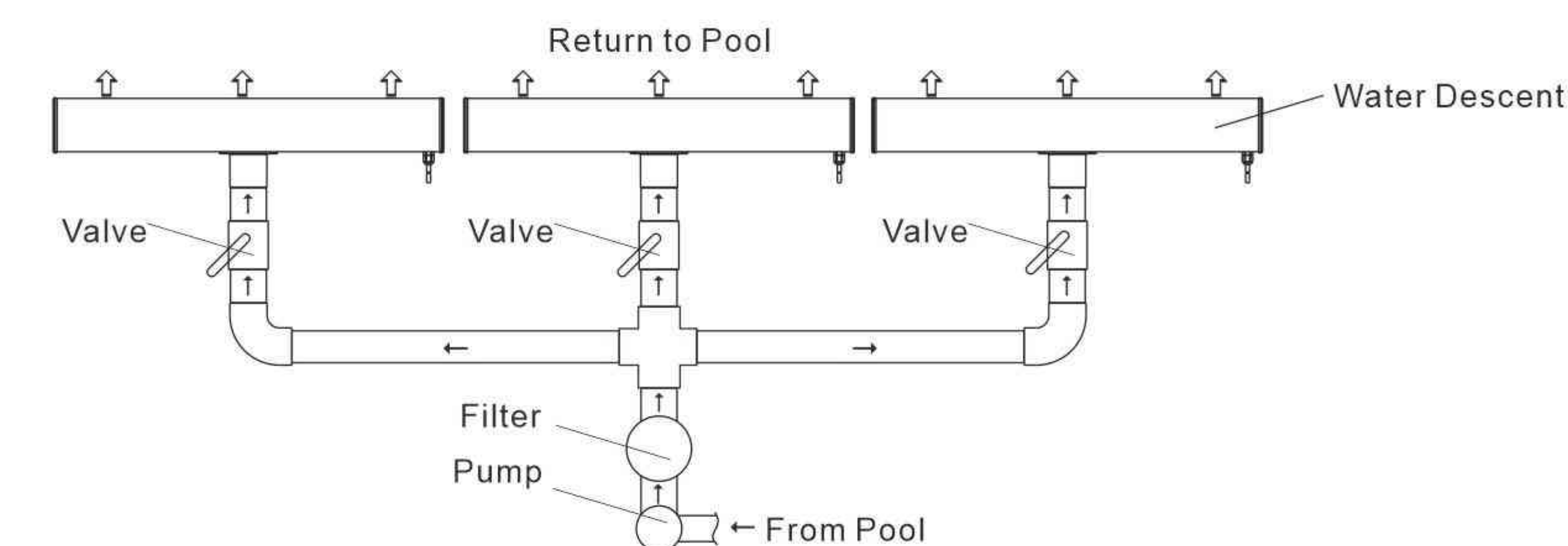
- Waterfall installation icon applies to existing wall styles
Bottom inlet : WGL300-25D/WGL600-25D/WGL900-25D/WGL1200-25D/WGL1500-25D
Rear inlet : WGL300-25B/WGL600-25B/WGL900-25B/WGL1200-25B/WGL1500-25B



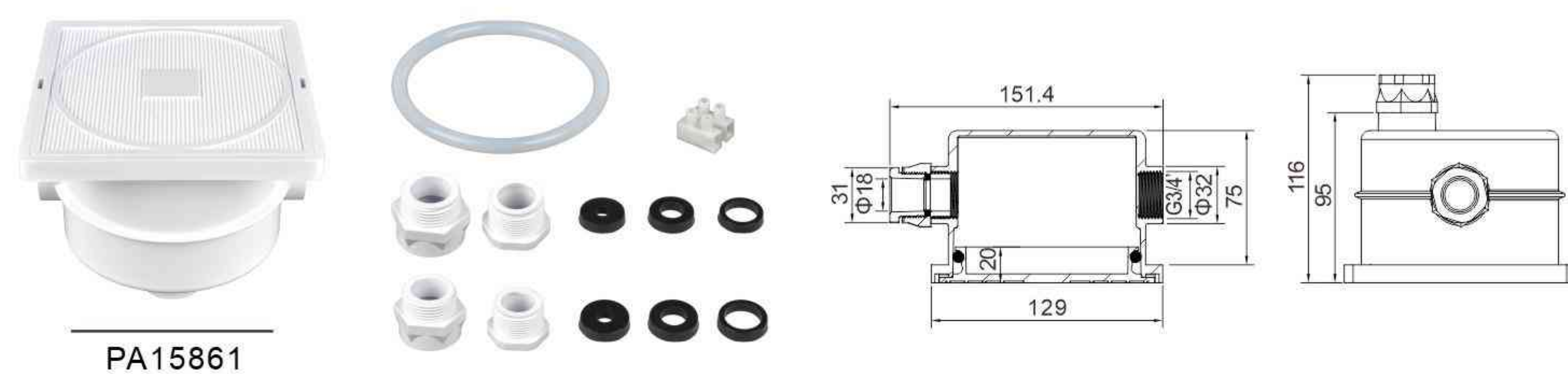
- Installation for piping single unit with ball valve



- Multiple units ball valve. (It is best to valve each unit)

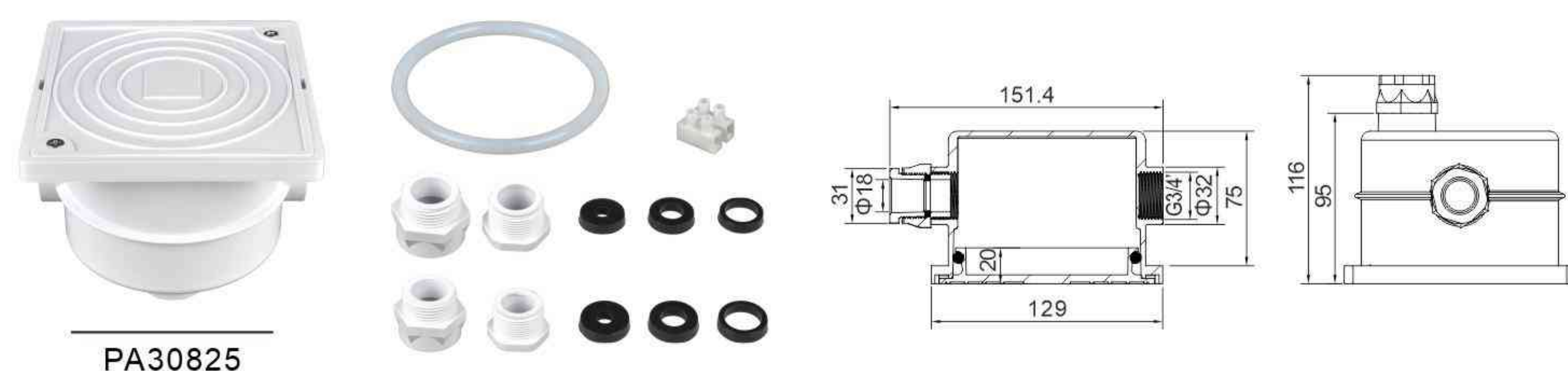


JUNCTION BOX & FLEXIBLE HOSE



PA15861

Products	Junction Box
Model	PA15861
Colour	White color
Material	ABS



PA30825

Products	Junction Box
Model	PA30825
Colour	White color
Material	ABS



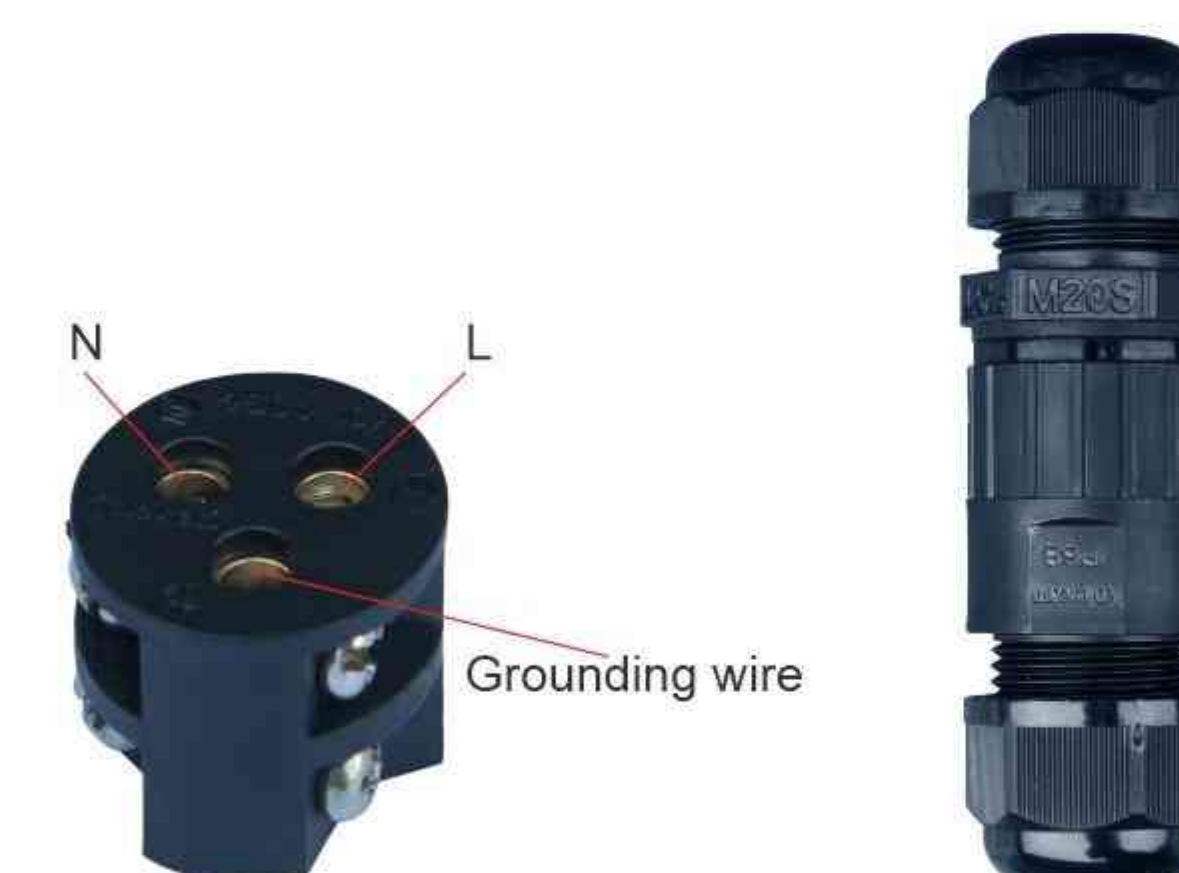
Niche light installation



Flat light installation

Products	Flexible hose
Model	PA00394
Colour	Gray
Material	ABS
Length	1meter
Connection	3/4" ext. thread

WATERPROOF WIRE CONNECTORS



- Model: LS-M20S-11
- Description: 2-ways 3-pole wire connector, Screw type.
- Cable size: $\varnothing 7-10.5\text{mm}$, including live wire, neutral wire and earth wire.
- Rated voltage: 400V.
- Rated current: 10A.
- Overvoltage category: III.
- Insulation resistance: $\geq 100\text{M}\Omega$.
- Operating temperature: $-40^{\circ}\text{C}-125^{\circ}\text{C}$.
- IP degree protection: IP67/IP68.

Wide Usability: Suitable for fast connection to the outdoor lighting, underwater lighting, underfloor heating, etc. Can be used to repair and extend power cables.



WATERPROOF WIRE CONNECTORS

- Model: LS-M20-10
- Description: 2-ways 3-pole wire connector, Cage spring type.
- Cable size: $\varnothing 6-10\text{mm}$, including live wire, neutral wire and earth wire.
- Rated voltage: 300V.
- Rated current: 10A.
- Overvoltage category: III.
- Insulation resistance: $\geq 100\text{M}\Omega$.
- Operating temperature: $-40^{\circ}\text{C}-125^{\circ}\text{C}$.
- IP degree protection: IP67/IP68.

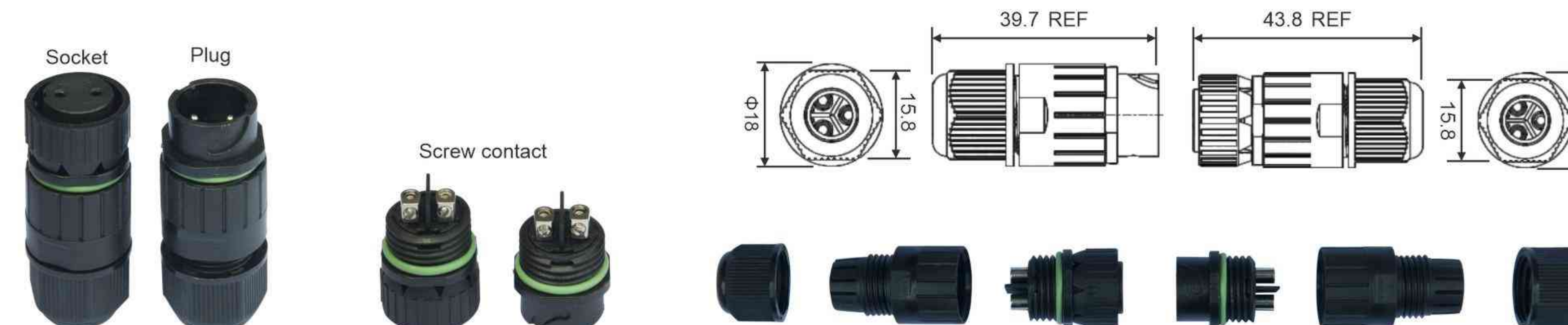
Wide Usability: Suitable for fast connection to the outdoor lighting, underwater lighting, underfloor heating, etc. Can be used to repair and extend power cables.



WATERPROOF WIRE CONNECTORS

- Model: LS-YN1200WN-P.
- Description: 2-ways 2-pin wire connector, plug and play.
- Cable size: $\varnothing 3.5-5.5\text{mm}$, including live wire, neutral wire and earth wire.
- Rated voltage: 230V/AC/DC.
- Rated current: 13A.
- IP degree protection: IP67.

Wide Usability: Suitable for fast connection to the outdoor lighting, underwater lighting, underfloor heating, etc. Can be used to repair and extend power cables.



SMARTER WATER FOR A
SMARTER HOME

04

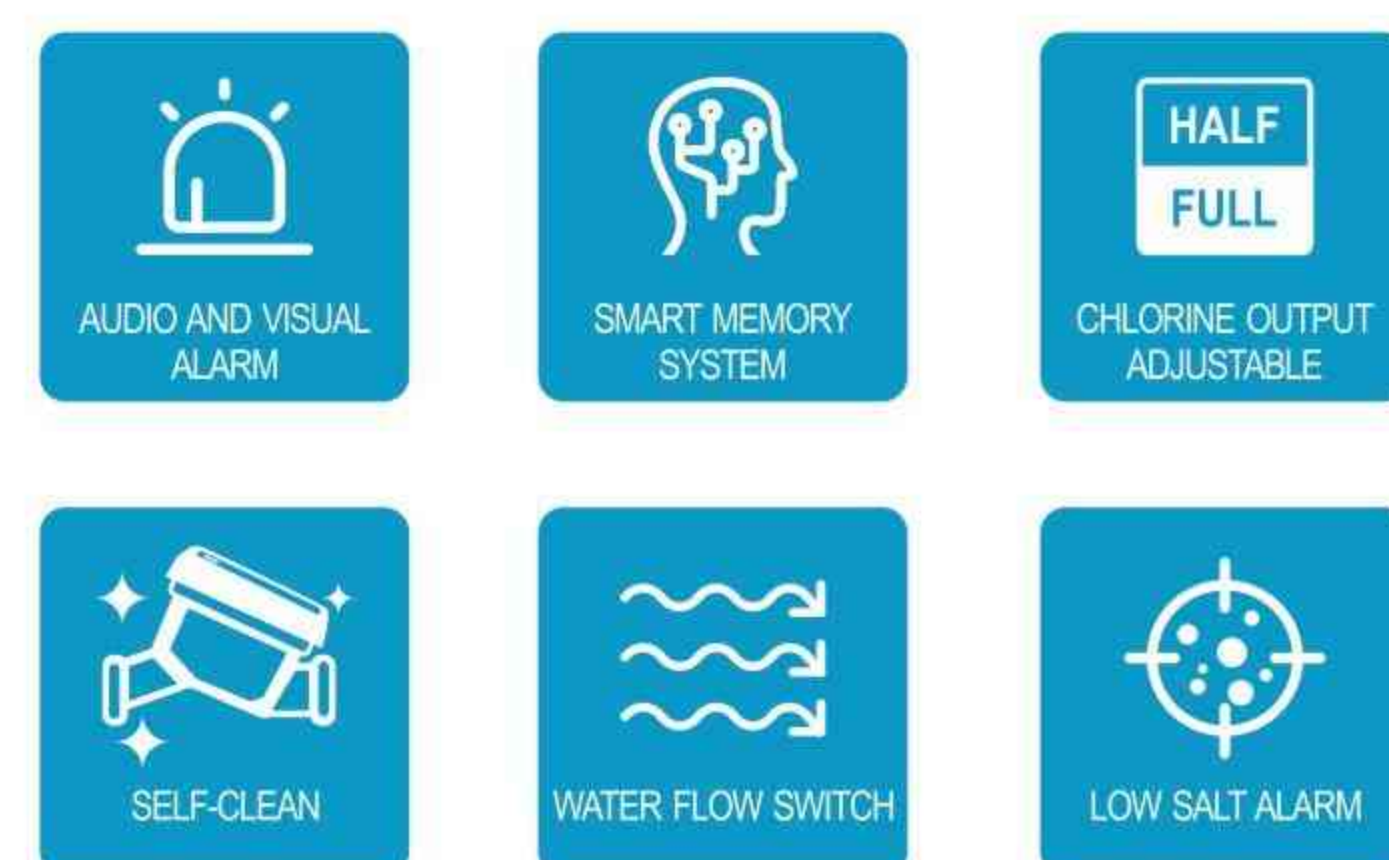
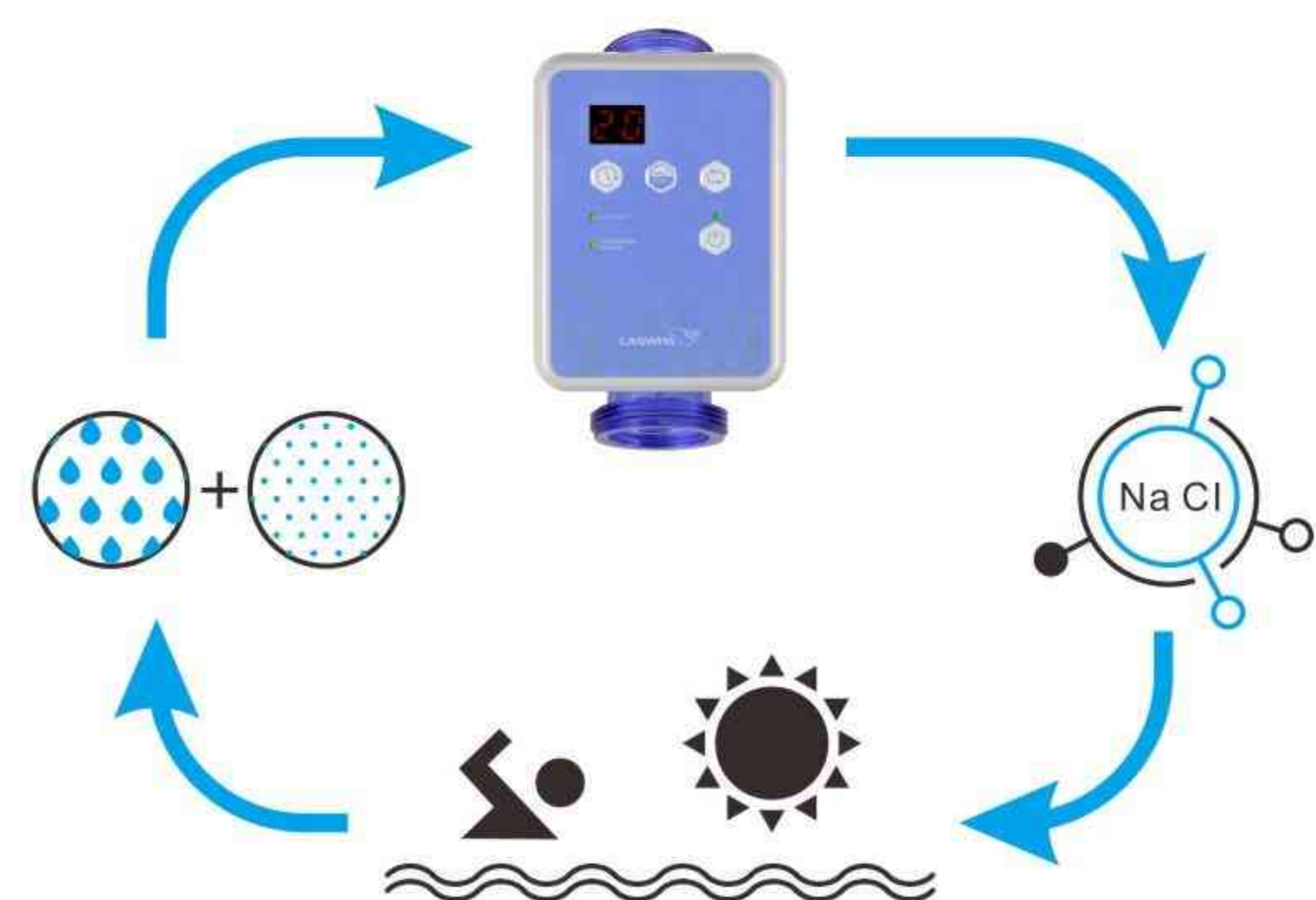


DISINFECTING EQUIPMENT



SR SALT CHLORINATOR DISINFECTING EQUIPMENT

Introducing the SR Series Salt Chlorinator, crafted with small pools in mind. Simplify your pool's disinfection process effortlessly – just add salt, and let it convert into active chlorine and active oxygen. Enjoy the convenience of low-maintenance with self-cleaning titanium cells and a user-friendly control panel. With the SR Series Salt Chlorinator, maintaining a safe and pristine pool is a walk in the park. Say farewell to the challenges of traditional chlorine disinfection! Find out more in our product catalog.



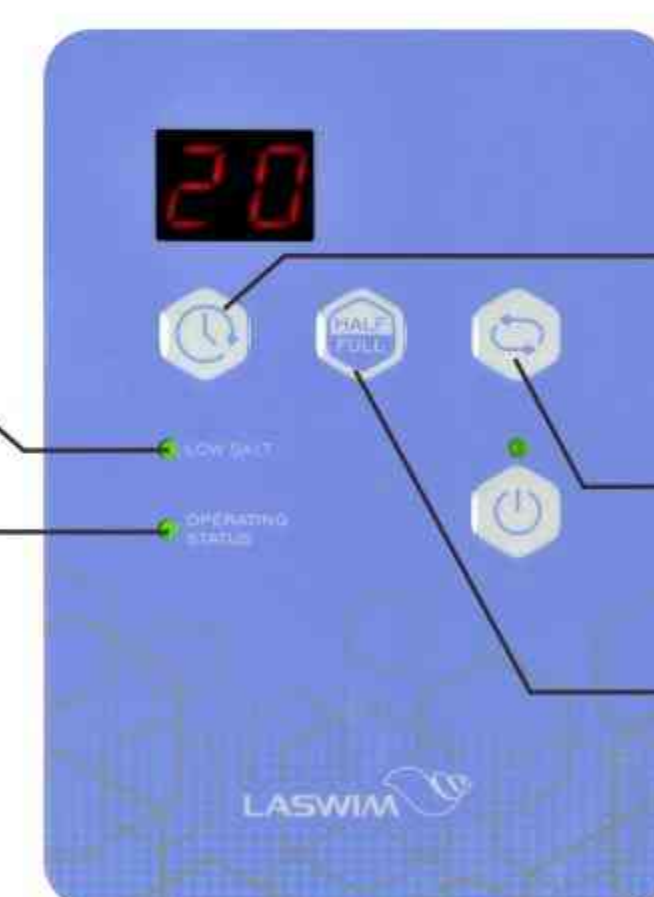
Feature:

- 2 types connections available: 50mm/1.5" unions must be sealed with PVC cement or 32/38mm flexible hose locked with stainless steel collars. (stainless steel collar is optional)
- Integrated water flow switch, water temperature sensor and salinity monitor, which is easy to monitor the water quality.
- Preset multiple intelligent operation modes, one-button switching, simple operation, time and worry saving.
- It is easy to maintain and alerts abnormalities with the built-in warning function.
- The unique housing design with transparent material is easy to observe the operation.



Low salt alarm, when the salinity is too low, the chlorinator will alarm with error code.

Operating status
Red: stop/standby
Green: working



Working time selection.

Self-cleaning reverse polarity, to reduce the scaling forming and prolong the electrode lifetime.

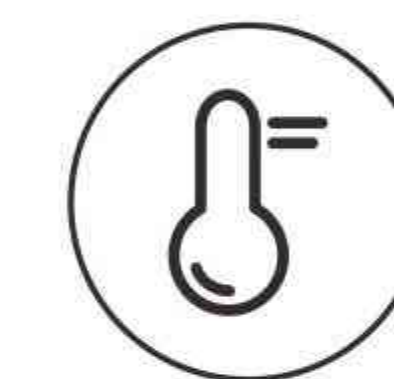
HALF/FULL chlorine output selection.

Advantages:



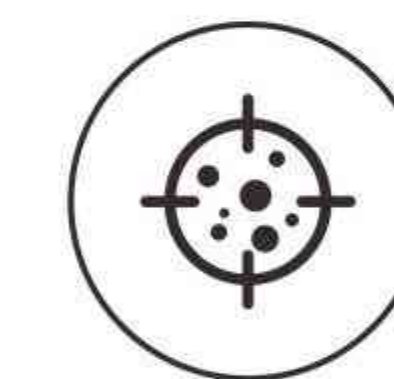
Self-cleaning

Self-cleaning can prevent calcium from accumulating and can be set to reverse polarity every 4, 8, or 12 hours, which can extend the life of the titanium plates.



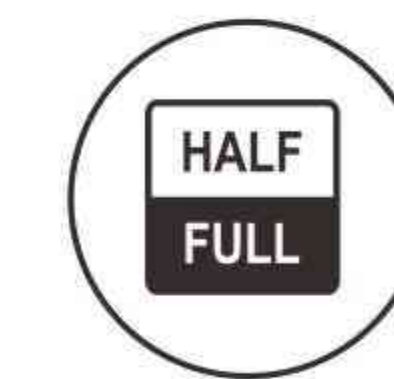
Water Temperature Monitoring

It warns if the water temperature is more than 45°C(113°F) or lower than 10°C(50°F). It will shut down while more than 45°C.



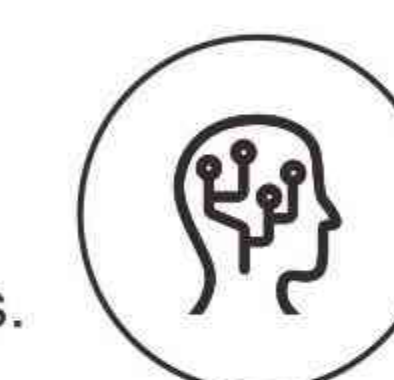
Salinity Monitoring

It warns if the salinity is too low to maintain effective disinfection.



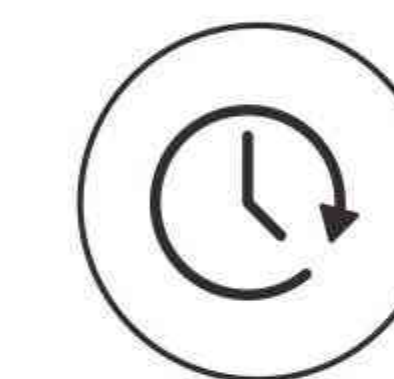
Chlorine Production

One key to chose HALF/FULL chlorine output.



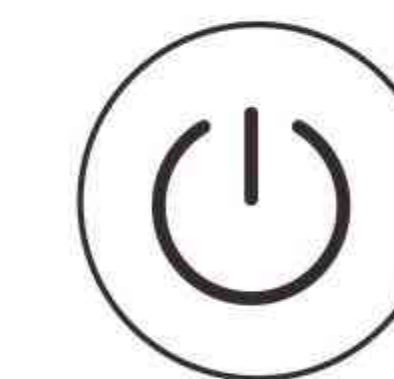
Memory

The salt chlorinator turns on automatically and reverses the polarity after powering on. At the same time, it can revert to the settings of the last operation.



Operation Time Setting

You can set the operation time according to different pools to save energy. Working time can be set by manual.



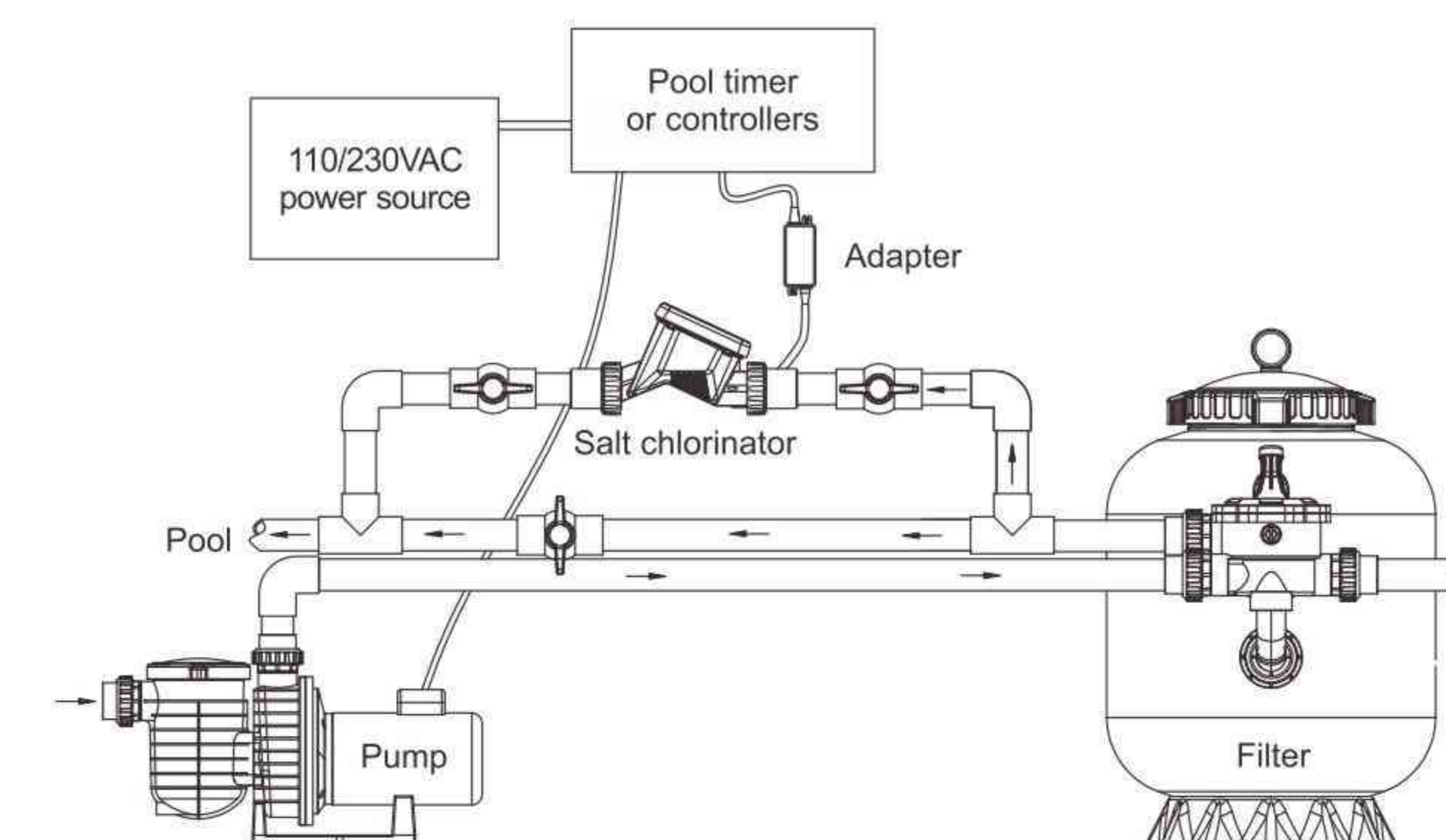
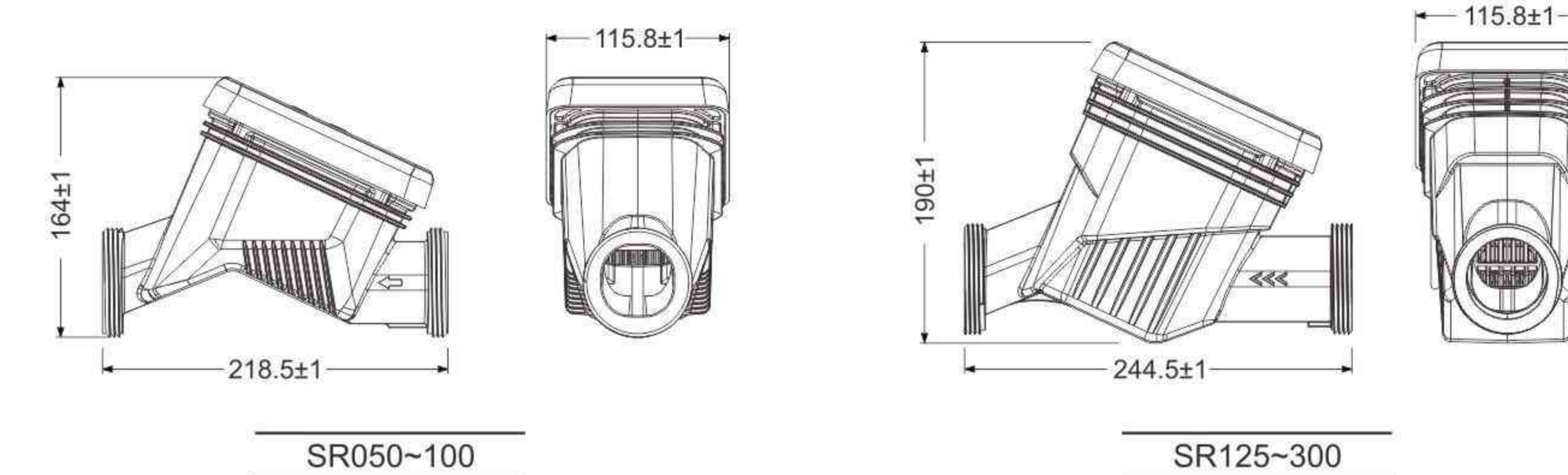
Restore Default Settings

Back to default setting by pressing the restore button.



Error Alarm For Troubleshooting

The salt chlorinator automatically shuts down in case of abnormalities due to the protection function of voltage, current and water flow. It extends the life of the salt chlorinators.



Model	Power input	Power output	Chlorine production	Ideal salinity	Recommended pool volume(m ³)	Size (mm)
SR050	AC100-240V 50Hz/60Hz	DC24V	5g/h	2700-4500PPM	≤22m ³	218.5×115.8×164
SR075	AC100-240V 50Hz/60Hz	DC24V	7.5g/h	2700-4500PPM	≤34m ³	218.5×115.8×164
SR100	AC100-240V 50Hz/60Hz	DC24V	10g/h	2700-4500PPM	≤45m ³	218.5×115.8×164
SR125	AC100-240V 50Hz/60Hz	DC24V	12.5g/h	2700-4500PPM	≤56m ³	244.5×115.8×190
SR150	AC100-240V 50Hz/60Hz	DC24V	15g/h	2700-4500PPM	≤68m ³	244.5×115.8×190
SR200	AC100-240V 50Hz/60Hz	DC24V	20g/h	2700-4500PPM	≤90m ³	244.5×115.8×190
SR250	AC100-240V 50Hz/60Hz	DC24V	25g/h	2700-4500PPM	≤110m ³	244.5×115.8×190
SR300	AC100-240V 50Hz/60Hz	DC29V	30g/h	2700-4500PPM	≤135m ³	244.5×115.8×190

Note: • In practice, the local pool standards and professional habits should be considered, and the adjusting allowance of 20-30% should be reserved.
• For outdoor pool, cyanuric acid(stabilizer) should be added to pool water, the ideal range for cyanuric acid is 25-50ppm when used.

HQ/SQ SALT CHLORINATOR DISINFECTING EQUIPMENT

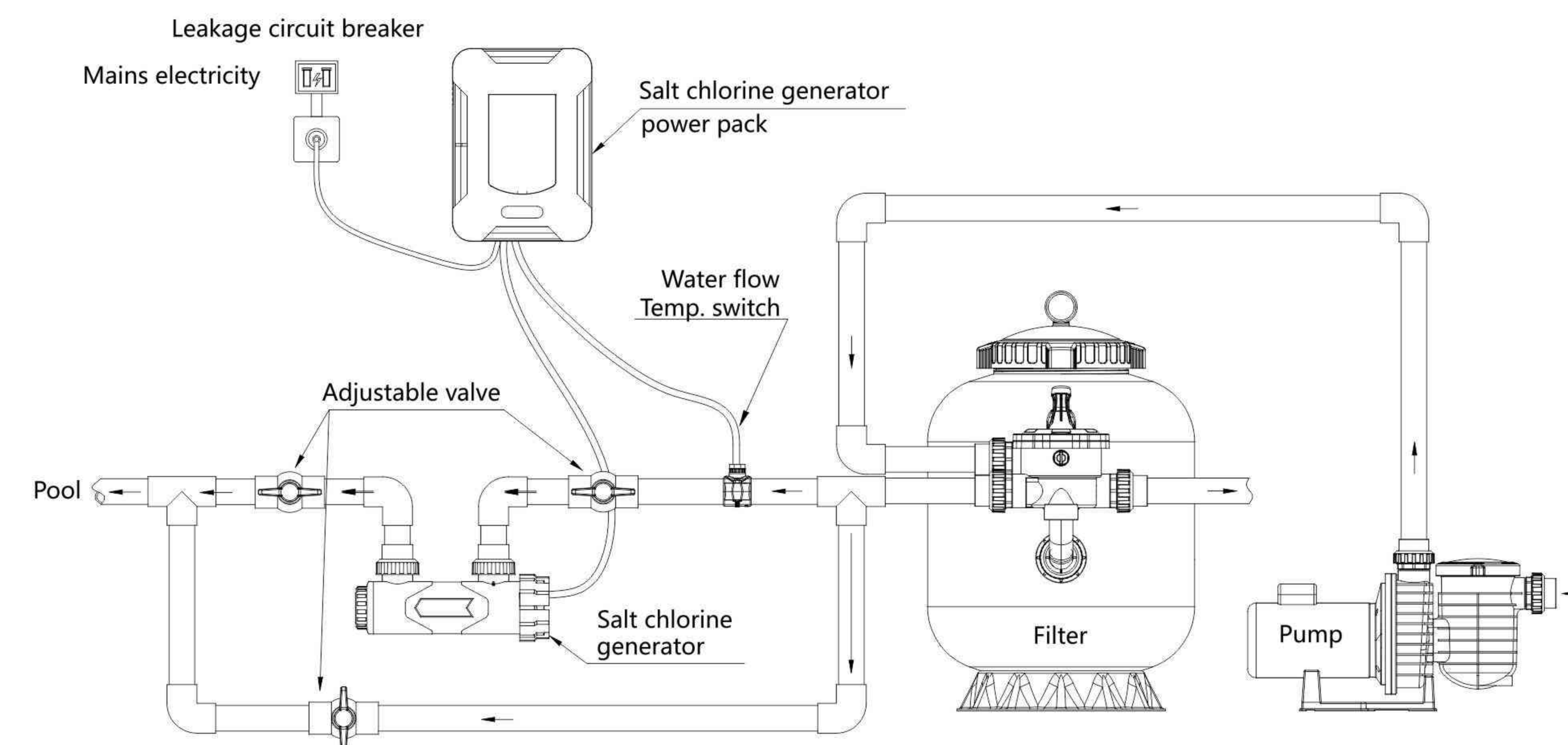
Discover the HQ/SQ Salt Chlorinator – an exceptional solution for elevating your pool water quality without the use of harsh chemicals. This reliable and low-maintenance system prioritizes safety and health, utilizing harmless table salt to create a refreshing swimming environment.

Enjoy the ease of programming and fully automatic operation, allowing you to unwind during your swim without worry. Our salt chlorinator offers an alternative, electrolysis-based approach to pool sanitation, transforming sodium chloride in the water into chlorine for effective disinfection. Dive into the future of pool care with HQ/SQ Salt Chlorinator – where simplicity meets superior water quality.



Titanium panels with fast, efficient and stable chlorine output

- Titanium panels with coating enable to generate chlorine fast, efficiently and stably.
- Cell housing is made of high strength and Corrosion-resistant PC, which prolong the life time.
- Detachable titanium panels are easy to install, clean and daily maintain.
- Two optional outlets make installation more convenient.



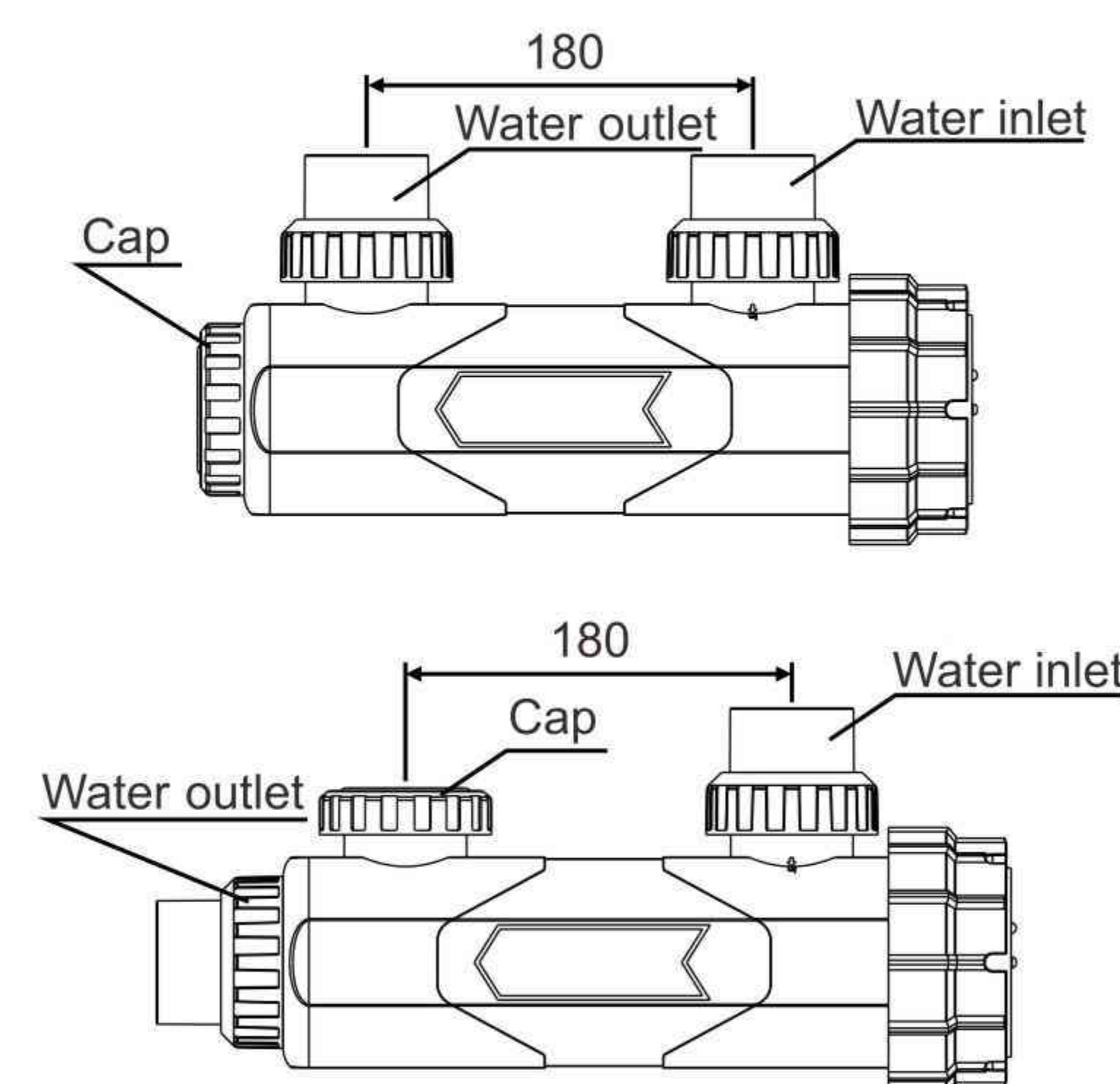
Features:

- Self clean function: by reverse the polarity automatically, which prevents calcium from accumulating and therefore prolong the cell's lifetime.
- Six different chlorine output control: easy adjustment of chlorine level, to meet demand of different time, this will save energy and environment friendly.
- HQ salt chlorinators are equipped with timer for pump and timer for underwater light.
- Smart cooling: the cooling intensity can be adjustment according to the temperature inside the control box.
- Protect from no adequate water causing the generator or cell destroyed.
- Overheat protection: prolong the control system life span.
- Alarm system: automatic protection for your system and pool if salt level is too low.
- Temperature sensor could be changed separately, reduce the maintenance cost.



HQ salt chlorinator control panel

Humanized design of two outlets



HQ salt chlorinators are equipped with timers for pump and underwater light.

Model	Control Box dimension (mm)	Max Chlorine production	Power input (V)	Total power (W)	Pump power (Max)	Light power (Max)	Max Pool Volume (m³)
HQ-Y25-20	365x260x140	16g/h	AC220~240V	1.70kW	1.5kW/6.8A	AC12V/100W	68
HQ-Y25-30	365x260x140	25g/h	AC220~240V	1.75kW	1.5kW/6.8A	AC12V/100W	105
HQ-Y25-40	365x260x140	33g/h	AC220~240V	1.80kW	1.5kW/6.8A	AC12V/100W	140
HQ-Y25-50	365x260x140	42g/h	AC220~240V	1.85kW	1.5kW/6.8A	AC12V/100W	175
SQ-Y25-20	365x260x140	16g/h	AC220~240V	0.25kW	----	----	68
SQ-Y25-30	365x260x140	25g/h	AC220~240V	0.25kW	----	----	105
SQ-Y25-40	365x260x140	33g/h	AC220~240V	0.25kW	----	----	140
SQ-Y25-50	365x260x140	42g/h	AC220~240V	0.25kW	----	----	175

Note:

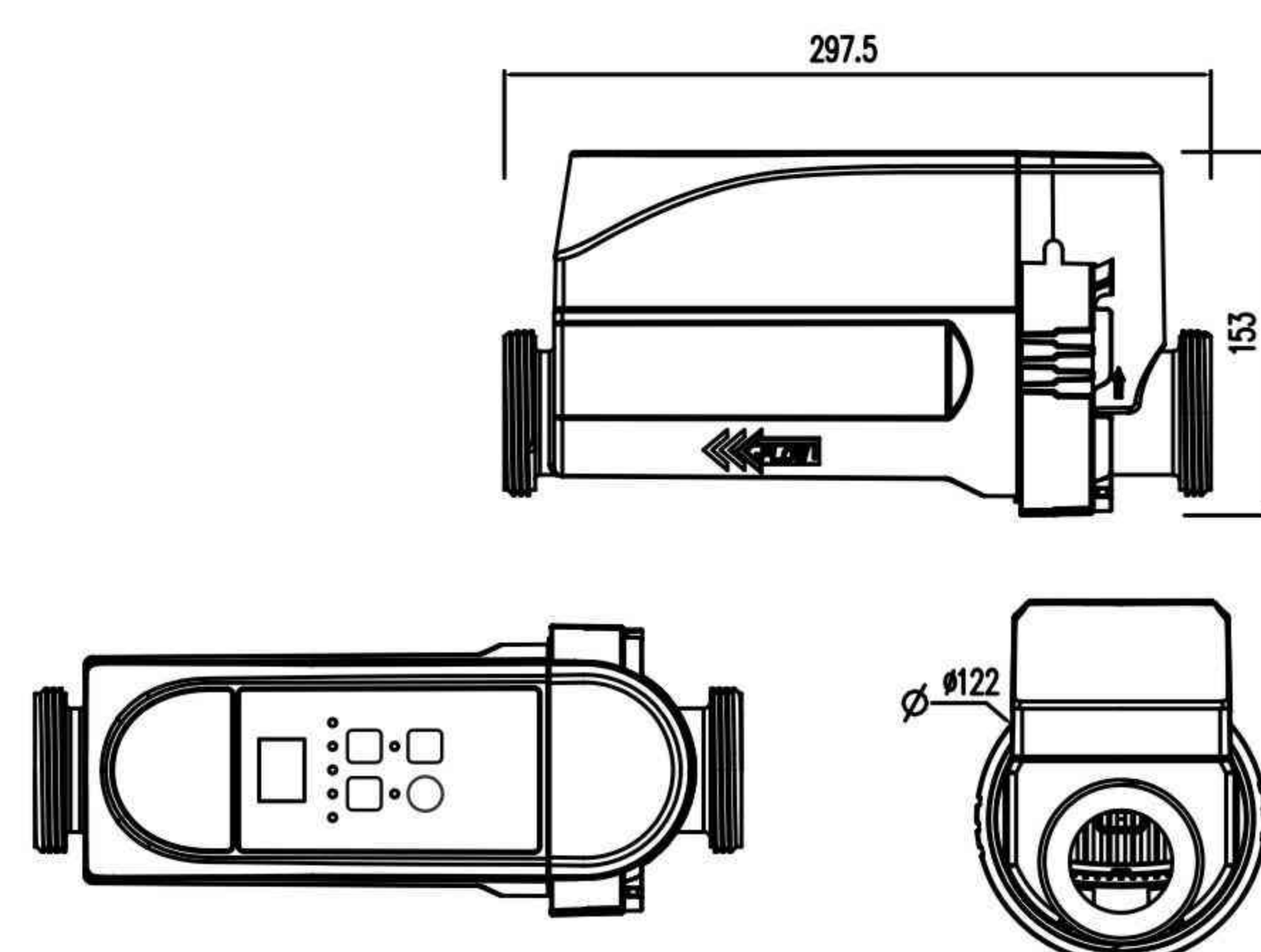
- In practice, the local pool standards and professional habits should be considered, and the adjusting allowance of 20-30% should be reserved.
- For outdoor pool, cyanuric acid(stabilizer) should be added to pool water, the ideal range for cyanuric acid is 25-50ppm when used.

EC PLUS SERIES SALT CHLORINATOR DISINFECTING EQUIPMENT



Using salt electrolysis method to create chlorine has been proven an economical, advanced, practical and reliable way to ensure the sanitization of pool water for small and medium pools. This method has been adapted and used all over the world.

The LASWIM EC Plus Series Salt Chlorinator applied advanced micro-computer technology and customer oriented design, to provide the most energy saving and environmental friendly method to sanitize small and medium pools. To achieve this simple, smart and safe chlorine production, all the chlorinator require is only salt.



TECHNICAL DATA

Model	Size (mm)	Max Chlorine production(g/h)	Power Input (V)	Power Output (V)	Working Current(A)	Dia. of Water Inlet and Outlet	Max Pool Volume(m ³)
WL-EC Plus 8	297.5x122x153	8g/h	AC100-240V	DC 24V	4	1.5"/50mm	35
WL-EC Plus 12	297.5x122x153	12g/h	AC100-240V	DC 24V	4	1.5"/50mm	50
WL-EC Plus 16	297.5x122x153	16g/h	AC100-240V	DC 24V	4	1.5"/50mm	68
WL-EC Plus 20	297.5x122x153	20g/h	AC100-240V	DC 24V	4	1.5"/50mm	85
WL-EC Plus 30	297.5x122x153	30g/h	AC100-240V	DC 29V	6	1.5"/50mm	127

Note:

- In practice, the local pool standards and professional habits should be considered, and the adjusting allowance of 20-30% should be reserved.
- For outdoor pool, cyanuric acid(stabilizer) should be added to pool water, the ideal range for cyanuric acid is 25-50ppm when used.

SIMPLE

Simple to use

Simply put a corresponding amount of salt into the pool, the EC Plus series salt chlorinator will produce chlorine needed for disinfection automatically.

Simple to operate

The Push-button operation and the easy-to-view display guarantee its fast operation.

Simple to install

The smart structure of combined with control panel and cell, making the installation simple and easy.

Simple to maintain

The titanium in the cell is removable, which makes it easy to clean and maintain.

SMART

Smart adjustment

Chlorine output is adjustable from 20% to 100% by simply pressing two button, satisfying different needs for different pools.

Smart cleaning

Self-cleaning function by reversing the polarity automatically, which prevents calcium from accumulating and therefore prolong the cell's lifetime.

Smart alarm

Fault auto alarm with error code, which is easy to find corresponding solutions.

Smart protection

When the water temperature is too high or too low, the chlorinator will have warning, in order to protect the unit and prolong the cell's life. The integrated sensors in the cell also ensure that water flow is adequate for safe chlorine generation.

Smart memory system

Each time the chlorinator restarts, it can automatically initiate the last work status, with this smart memory function.

SAFE

Safe disinfection

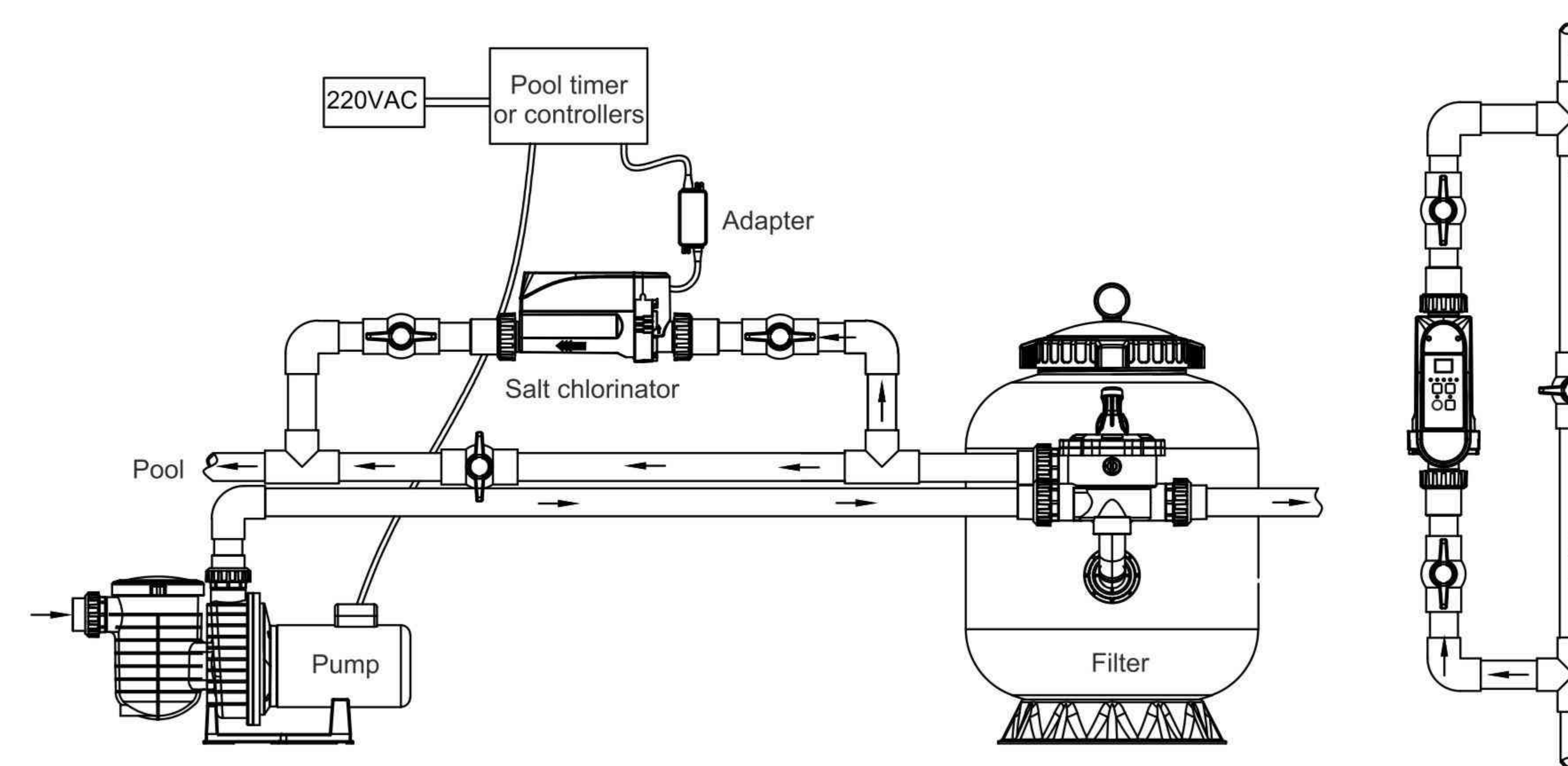
Different from those traditional disinfecting equipments, this salt chlorinator doesn't produce any disgusting smells. Discomfort like pinkeye or skin itch can be avoided as well.

Safe water quality

The salt concentration in the pool matches that of the human body, which does not irritates the skin and improves the swimming experience.

Safe voltage

Working voltage is 24V/29V, which keeps people safe from the danger of electrocution.



Installation diagram of the EC Plus Series Salt Chlorinator

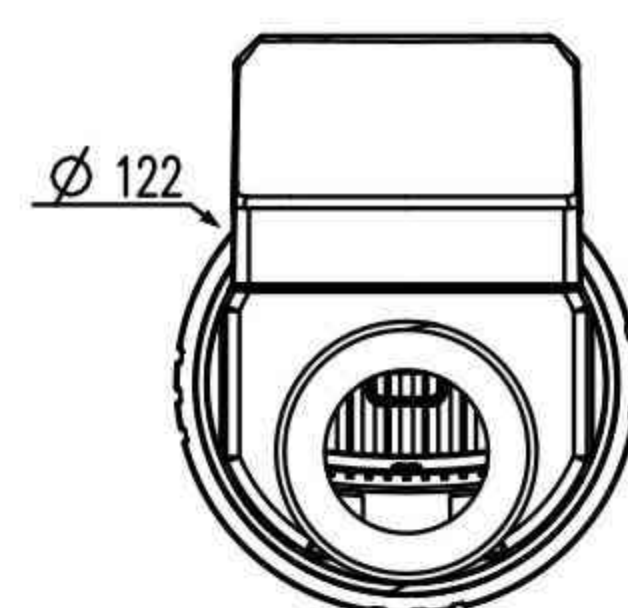
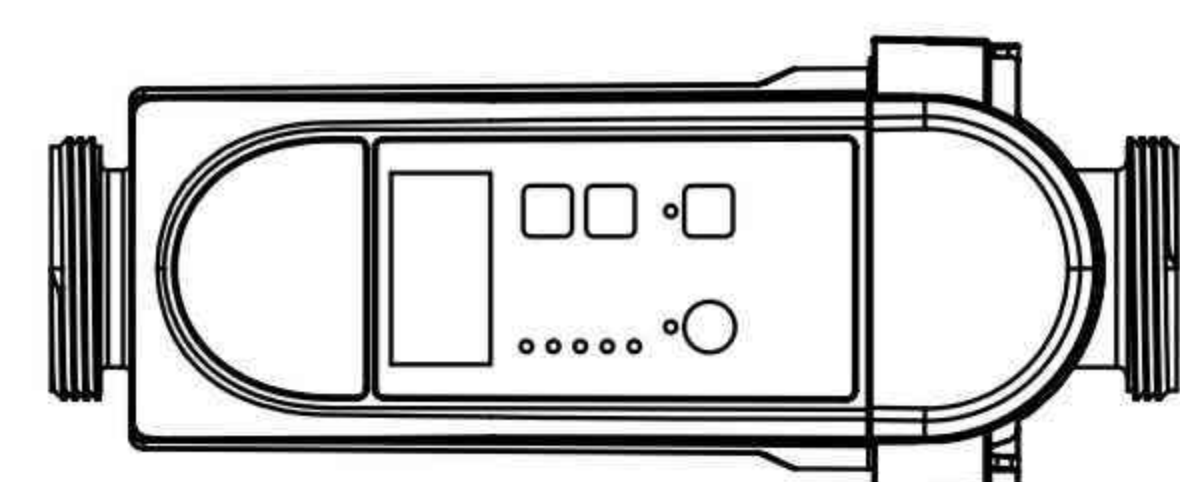
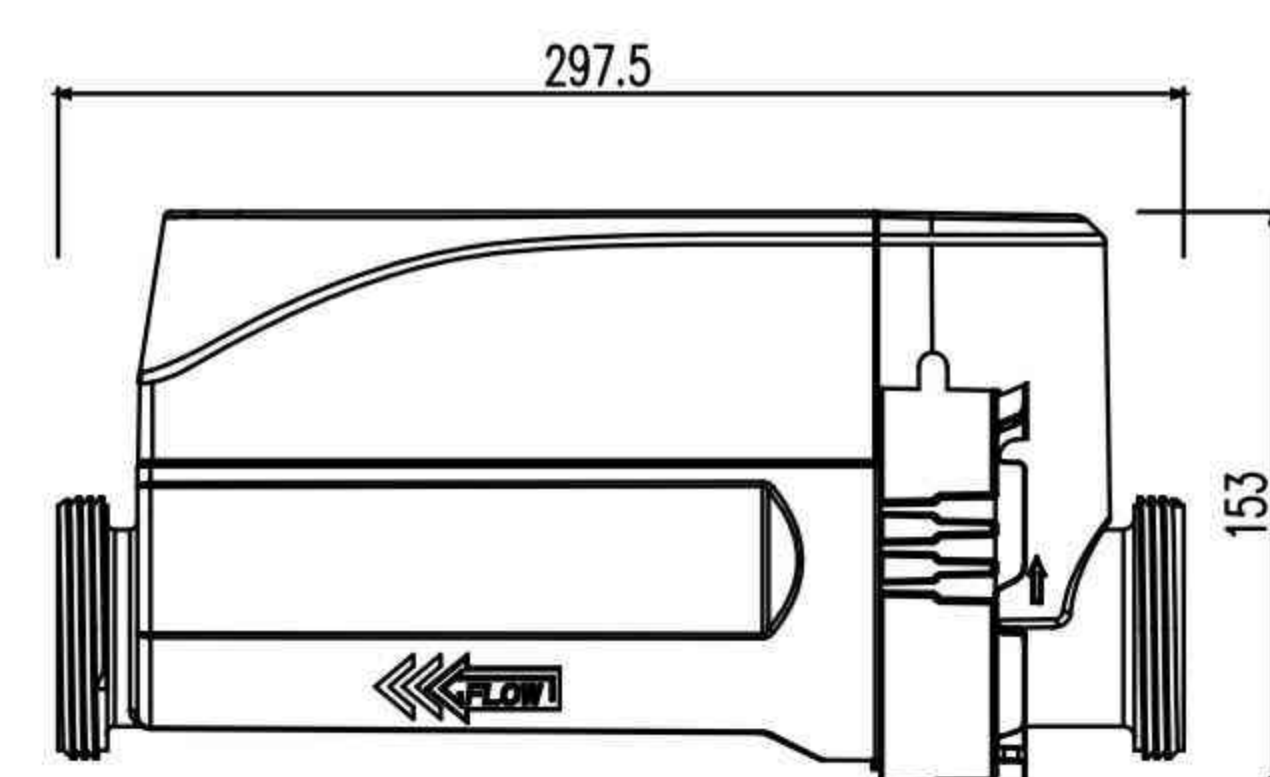
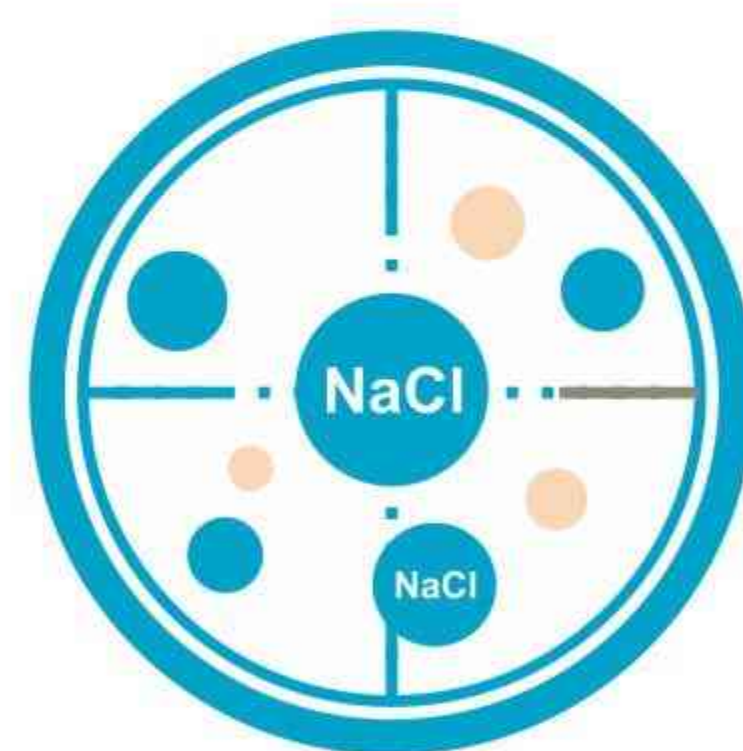
INTELLIGENT IoT SALT CHLORINATOR DISINFECTING EQUIPMENT



EC PRO Smart Salt Chlorinator:

Control pool disinfection easily with your phone or tablet, ensuring clear, healthy water for family fun, anytime, anywhere.

Control Method: Control panel+display/smart life or tuya smart.



TECHNICAL DATA

Model	Size(mm)	Max Chlorine Output(g/h)	Power Input(V)	Power Output(V)	Working Current(A)	Pipe connection	Max Pool Volume (m³)
WL-EC Pro 4	297.5×122×153	4g/h	AC100-240V	DC12V	2	1.5"/50mm	18
WL-EC Pro 8	297.5×122×153	8g/h	AC100-240V	DC24V	4	1.5"/50mm	35
WL-EC Pro 12	297.5×122×153	12g/h				1.5"/50mm	50
WL-EC Pro 16	297.5×122×153	16g/h				1.5"/50mm	68
WL-EC Pro 20	297.5×122×153	20g/h				1.5"/50mm	85
WL-EC Pro 24	297.5×122×153	24g/h	AC100-240V	DC29V	6	1.5"/50mm	102
WL-EC Pro 30	297.5×122×153	30g/h				1.5"/50mm	127

Note:

- In practice, the local pool standards and professional habits should be considered, and the adjusting allowance of 20-30% should be reserved.
- For outdoor pool, cyanuric acid(stabilizer) should be added to pool water, the ideal range for cyanuric acid is 25-50ppm when used.

EC PRO Salt chlorinator, intelligent, self-adapting operation, operates adaptively at low salt levels (1000ppm)

Smart low salt reminder, for easy operation, Set your pool size and receive smart reminders for adding salt to the ideal level (3500ppm) during extremely low salt conditions.

A smart, IoT-enabled salt chlorinator for an easier and worry-free experience.

Through the Smart Life app, users can remotely control and network manage the salt chlorinator.

Intelligent control

You can manage your EC PRO salt chlorinator by smart life or tuya smart.

Self-adapting operation

The salt chlorinator adapts to reduce chlorine output when running on low salt.

Self-cleaning function

By reversing the polarity automatically, which prevent calcium from accumulating on the titanium plates. Reversal time 2/4/6/8 hours.

Salt shortage reminder

It indicates the required amount of salt when there is a shortage.

Chlorine output adjustment

Easily adjust chlorine production based on your needs with a simple button press.

One-click BOOST

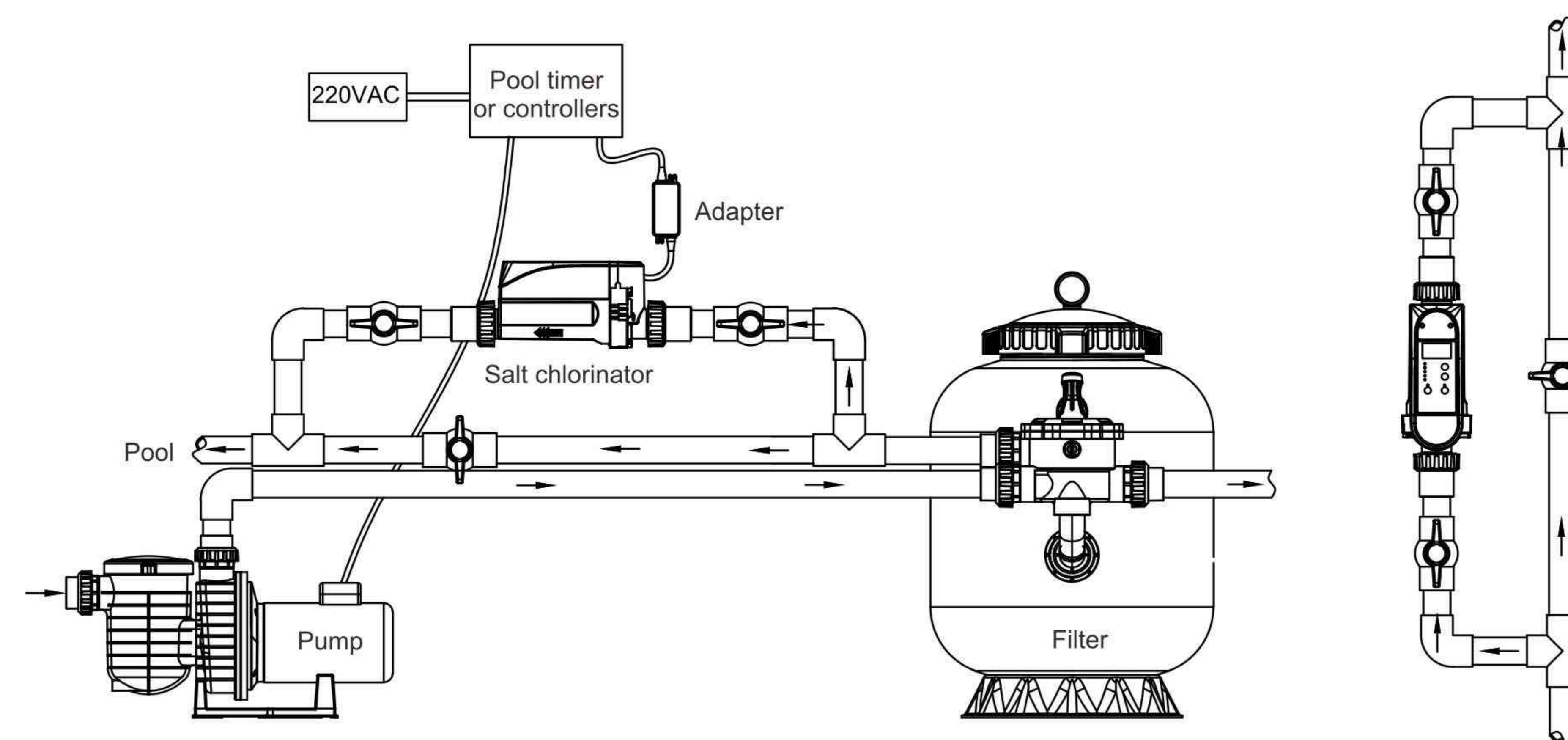
Accelerate chlorine production to effectively eliminate microorganisms and break down ammonia, suitable for various situations.

Power failure memory

Automatically resumes the previous working state when power is restored.

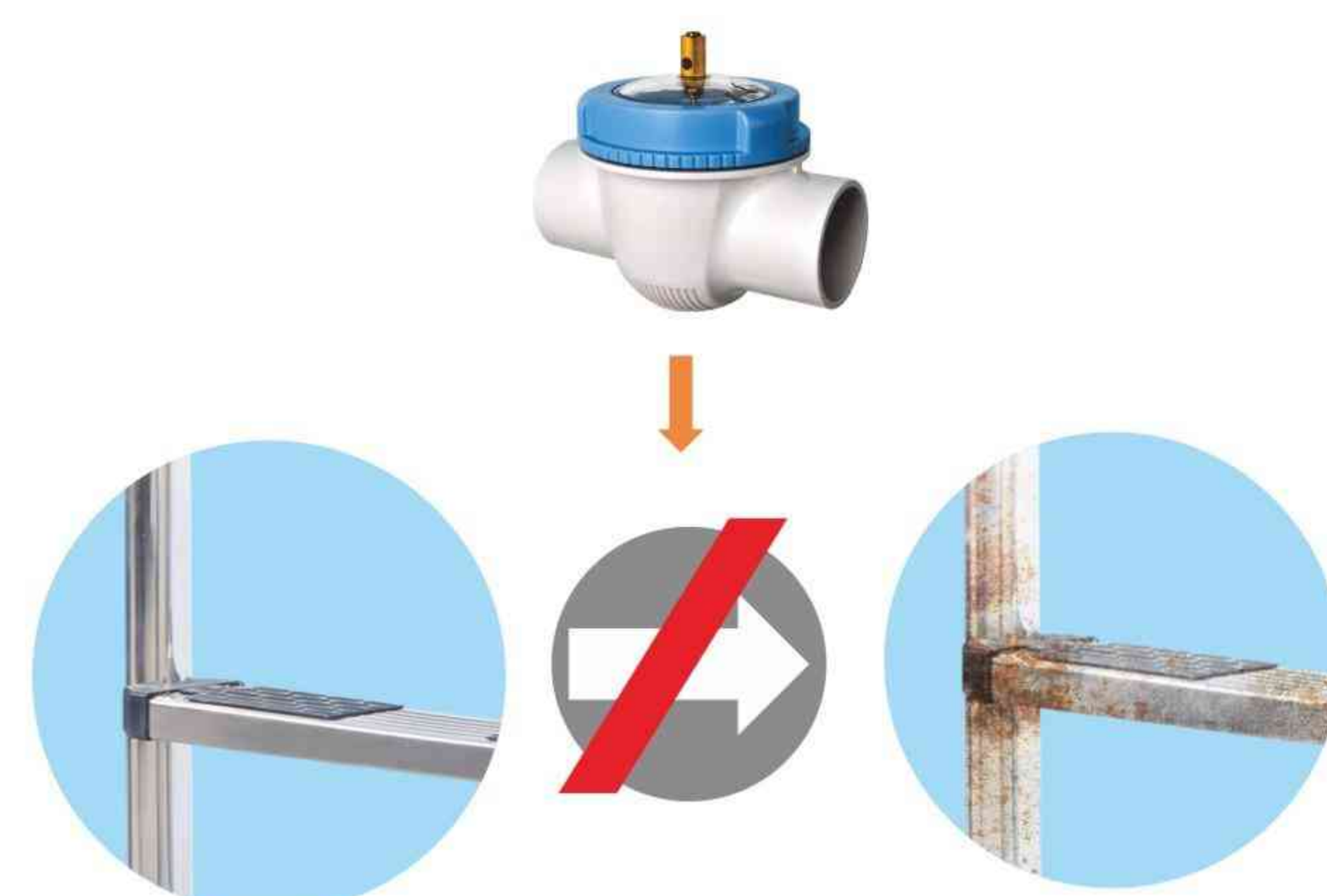
Smart protection

When the water temperature is too high or too low, the chlorinator will have warning, in order to protect the unit and prolong the cell's life. The integrated sensors in the cell also ensure that water flow is adequate for safe chlorine generation.



ZINC SACRIFICIAL ANODE

When the pool uses the salt chlorine disinfection system, the pool water is similar to the salt water, the metal equipment in the pool will be electrolytic corrosion, but the use of the pool metal anticorrosion device can avoid the corrosion of the metal equipment in the pool, so that your pool equipment will have a longer service life and be safer.



The Zinc sacrificial anode device will break down over time and sacrifice itself so that other equipment that are composed of metal in your pool will not be affected by electrical corrosion. This product is simple, easy to implement, economical and effective, causes little pollution to the environment, and has low subsequent maintenance costs.

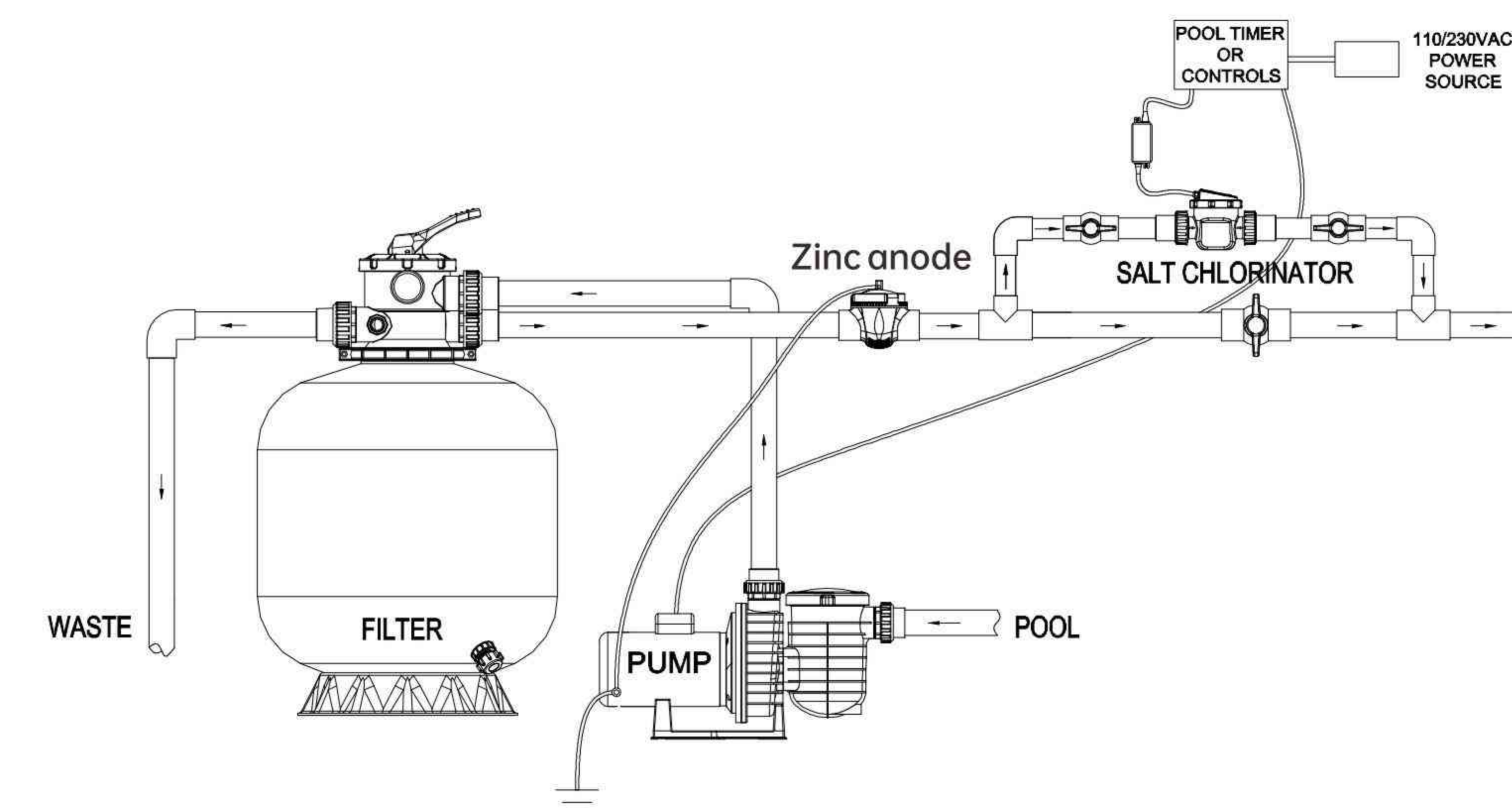


Corroded swimming pool facilities



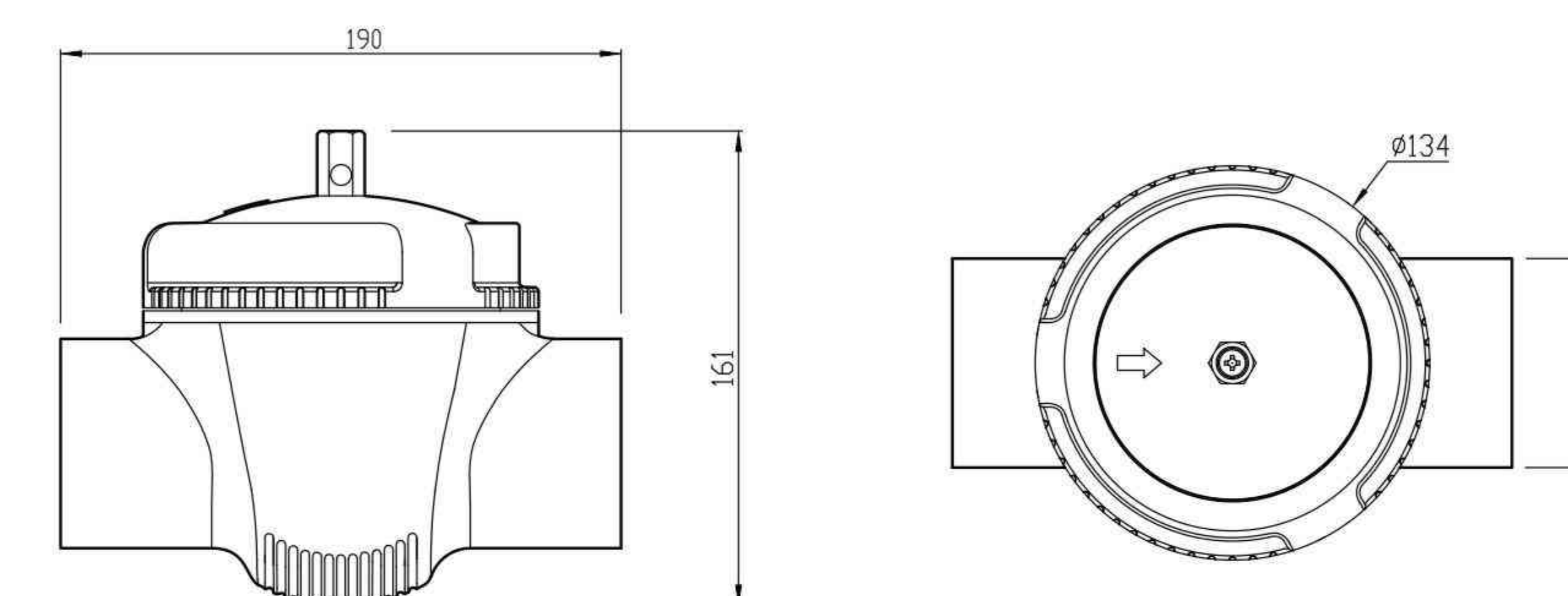
Product Features:

- The visual transparent cover makes it easy to observe the built-in zinc rod and reduces maintenance work;
- The external set of brass terminals is easy to connect with pool equipment and other metal equipment, can also be grounded to provide protection against electric shock function.
- Maximum working pressure: 4.0Bar.
- Easy to install and maintain: The metal anti-corrosion device is easy to install, without tedious steps and tools.
- Reduce the daily maintenance of swimming pool metal facilities.



Product Size And Parameters

Model	A
SAP5001-A	Φ2"
SAP5001-B	Φ63mm



Model	L(mm)	W(mm)	H(mm)
WL-SAP5001-A	190	134	161
WL-SAP5001-B	190	134	161

ADVANCED OXIDATION PROCESS DISINFECTING EQUIPMENT

Unique hydroxyl radical technology, Sterilization rate 99.99% for high-end swimming pool disinfection process.

Overview:

LASWIM AOP advanced oxidation and disinfection machine is an advanced oxidation and disinfection equipment, which combines ozone and ultraviolet disinfection organically, so that ozone is catalyzed by ultraviolet light to form various free radicals, including hydroxyl radicals, so that most organic matter generates CO₂ and water to solve the toxic and non-biodegradable substances in the water body.

Advanced technology and excellent disinfection ability make the AOP advanced oxidation disinfection machine become the current advanced pool water disinfection and purification system, it is also an ideal choice for high-end swimming pool disinfection.

Features:

- Integrated structure, easy to install, saves space in the equipment room.
- Ozone safely generated and injected under a vacuum negative pressure operation mode.
- Significantly disinfects chlorine-resistant microorganisms, effectively reduces the free chlorine content in pool water, reduces irritation of human skin and respiratory tract.
- Segregated ozone and UV reactors.
- Built-in independent exhaust gas treatment module and exhaust pipe, can decompose excess ozone gas, to ensure the safety of the server room.
- High-intensity low-pressure UV lamp with a service life of up to 8,000hours.
- The air-cooling system has a remarkable heat dissipation effect, protecting the normal operation of ozone components and extending its service life.
- Manual and automatic mode control.

Material:

- House: mild steel coated with epoxy resin
- Ozone module: quartz tube + 316 stainless steel electrode assembly

Extensive sterilization:

Microbacteria, Clostridium botulinum, Bacillus, Enterobacteriaceae, Escherichia coli, Erysipelas, Bacillus spores, Staphylococcus, Filtration Virus and Poliovirus.

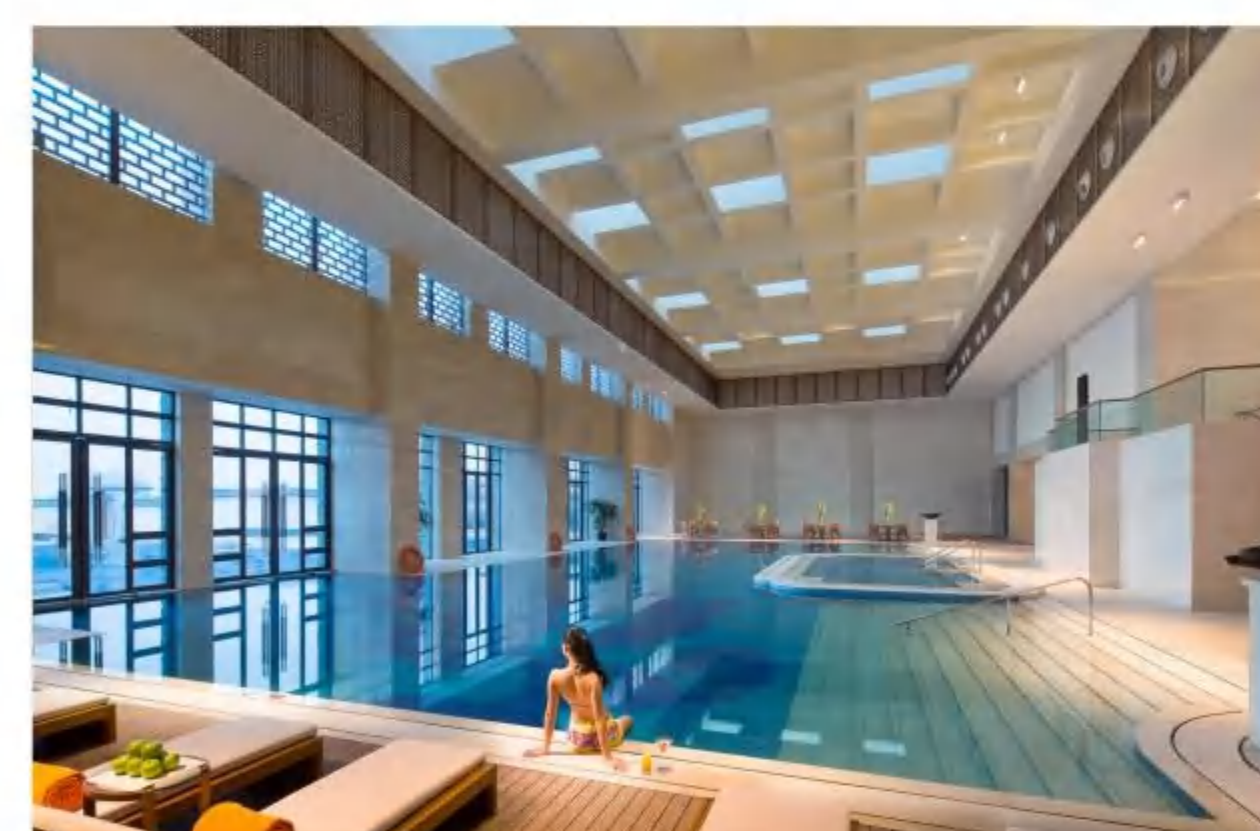
Other functions:

Algae removal, removal of inorganic matter, removal of suspended matter, rich in dissolved oxygen, activation of minerals.

Applications Of AOP:



High-end public swimming pools



High-end Hotel/Club house Pools



Villa Pool



QUALITY STANDARDS:
ISO 9001:2015

AOP products technical advantages:

Super sterilization: AOP (Advanced oxidation process) is the organic combination of ozone gas and ultraviolet, with ozone, ultraviolet high efficiency, broad spectrum sterilization characteristics, is stubborn bacteria viruses and a variety of pathogens, through the rapid destruction of bacteria, virus DNA or RNA molecular structure, resulting in growth or regenerative cell death, to achieve sterilization, disinfection effect. The killing rate is 99.99%, which completely ensures the water quality and health, and avoids cross infection.

Powerful water purification

Inactivation of chlorine-resistant microorganisms such as viruses, amoebas, cysts and other chlorine-resistant microorganisms and pathogens, AOP provides excellent inactivation of pathogens and reduces free chlorine residues.

Comfortable environment

The UV rays of AOP photochemically destroy residual ozone in water, eliminating the need for additional ozonation equipment. Ozone effectively reduces the content of trihalomethanes (THM) and rapidly eliminates organic matter. It also improves water clarity and ambient air quality.

Safe and harmless

Free of harmful residues. Less Harsh Chemicals. Eliminates strong chlorine odors. With destroying the chloramines, AOP reduces the irritation to swimmers eyes, skin and respiratory system. Providing the swimmer a more safe and secure swimming environment.

Degradation ability

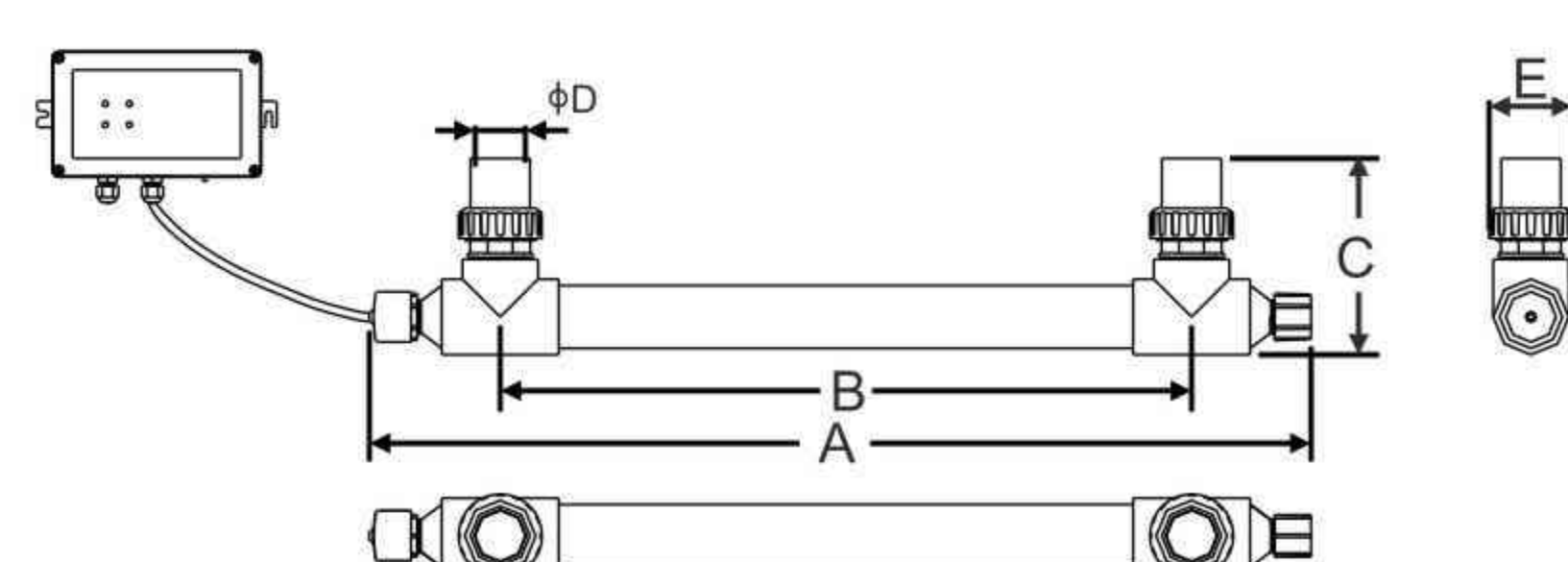
AOP (Advanced Oxidation Process) can form hydroxyl radicals, oxidize and decompose most microorganisms and organic matter into CO₂ and water, and can completely decompose and degrade microorganisms and organic matter in water.

Product parameters:

Model	AOP100	AOP200	AOP300	AOP400	AOP300PRO	AOP400PRO
Pool volume	100m ³	200m ³	300m ³	400m ³	300m ³	400m ³
Oxidezer production	5g/h	8g/h	12.5g/h	16.5g/h	12.5g/h	16.5g/h
Feed Gas	3L/min	3L/min	5L/min	5L/min	5L/min	5L/min
UV dose	30mj/cm ² (8h)	30mj/cm ² (8h)	30mj/cm ² (8h)	30mj/cm ² (8h)	30mj/cm ² (8h)	30mj/cm ² (8h)
Power supply	220V/1P/50Hz	220V/1P/50Hz	220V/1P/50Hz	220V/1P/50Hz	220V/1P/50Hz	220V/1P/50Hz
Power consumption	1.1 kW	1.2 kW	1.5 kW	1.6 kW	1.5 kW	1.6 kW
Dimensions (Lx Wx H)	700*620*1775mm	700*620*1775mm	850*800*1800mm	850*800*1800mm	850*800*1800mm	850*800*1800mm
Net weight	184 kg	189 kg	245 kg	255 kg	245 kg	255 kg
Bypass flow rate	5m ³ /h	8m ³ /h	12.5m ³ /h	16.5m ³ /h	12.5m ³ /h	16.5m ³ /h
Inlet size	1.25 inch	1.25 inch	2 inch	2 inch	2 inch	2 inch
Outlet size	1.25 inch	1.25 inch	2 inch	2 inch	2 inch	2 inch
Method	Air cooling	Air cooling	Air cooling	Air cooling	Water cooling	Water cooling
Gas feeding	Oxygen source					
Material	Epoxy coated mild steel					

UV STERILIZER DISINFECTING EQUIPMENT

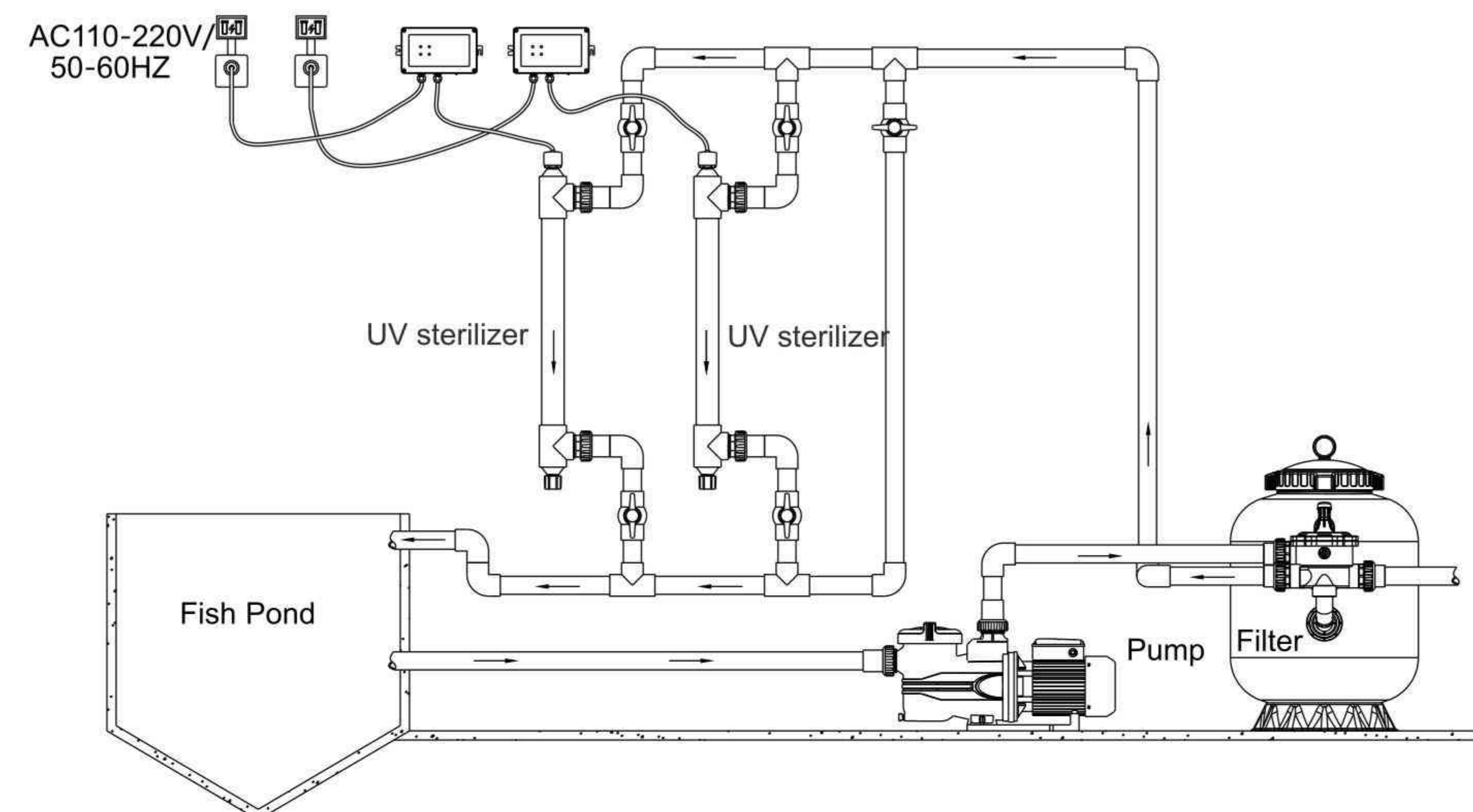
UV sterilizer is an effective product to destroy the genetic structure of bacterial and viruses, and inhibits their ability to multiply, rendering them harmless.



A(mm)	900	900	1055	1200
B(mm)	662	662	817	962
C(mm)	235	235	235	235
E(mm)	101	101	101	101

Features:

- High quality UV-C lamp that achieve 98% sterilization rate
- Durable UV-C lamp more than 8,000 hours life time
- High quality quartz Sleeve has more than 90% transmittance rate
- Available in 50Hz or 60Hz when request.
- Application in swimming pool and fish pond



Model	Power (W)	Flow rate (m³/h)	Voltage (V)	Lamp quantity	Pipe size (inch/mm)	Fish pond volume (m³)	Pool volume (m³)
WL-UVD40	40	5	220	1	1.5" 50mm	15	30
WL-UVD80	80	8	220	1	1.5" 50mm	24	48
WL-UVD100	100	10	220	1	1.5" 50mm	30	60
WL-UVD120	120	12	220	1	1.5" 50mm	36	72

UV STERILIZER DISINFECTING EQUIPMENT

Features:

- Special safe design for public swimming pool and private pool. No risk to swimmer because of safety voltage of 12V.
- Different from the normal revolving design, it adopts particular buckle for UV tube to avoid its damage during installation.
- It uses purely physical method to sterilize the pool water, no chemical residue, non-corrosive, non-toxic side effect after sterilizing by UV sterilizer. No health hazards to human skin and body.
- Compared with CH and ozone generator, UV sterilizer is easy to install, economical and low maintenance too.
- A humanistic design to caution the working situation of UV sterilizer by LED light, and this make the repair and maintenance so easy.
- The sterilization rate of bacteria and virus could reach 99% to 99.9% within 2s, includes flu, hepatitis virus, coli, staphylococci, bacillus subtilis, etc.



WL-UV14×2



WL-UV14×18

Model	Size (mm)	Power (W)	Design Flow (m³/h)	Voltage (V)	Lamp Quantity	Inlet /Outlet (Inch)	Life	Ballast
WL-UV14×2	460×125×320	28	1.5~2	12	14W×2	1.5"	8000~10000	Inductance / Electron
WL-UV14×4	L700×Φ170	56	3~4	12	14W×4	1.5"	8000~10000	Inductance / Electron
WL-UV14×6	L700×Φ170	84	5~6	12	14W×6	1.5"	8000~10000	Inductance / Electron
WL-UV14×8	L700×Φ170	112	7~8	12	14W×8	1.5"	8000~10000	Inductance / Electron
WL-UV14×10	L700×Φ170	140	9~10	12	14W×10	1.5"	8000~10000	Inductance / Electron
WL-UV14×12	L700×Φ170	168	11~12	12	14W×12	2.0"	8000~10000	Inductance / Electron
WL-UV14×14	L700×Φ170	196	13~14	12	14W×14	2.0"	8000~10000	Inductance / Electron
WL-UV14×16	L700×Φ170	224	15~16	12	14W×16	2.0"	8000~10000	Inductance / Electron
WL-UV14×18	L700×Φ170	252	17~18	12	14W×18	2.0"	8000~10000	Inductance / Electron
WL-UV14×20	L700×Φ170	280	18~20	12	14W×20	2.0"	8000~10000	Inductance / Electron

UV STERILIZER DISINFECTING EQUIPMENT



Thread connection



Flange connection



Ultraviolet is accepted all over the world as a reliable, cost-effective and above all environmentally friendly aquarium water disinfection solution.

UV-C radiation destroys the genetic structure of bacteria and viruses, and inhibits their ability to multiply, rendering them harmless.

Features:

- Physical sterilization, no side effects, no secondary pollution.
- Simple, efficient, small occupation.

WL-UVC series full flow ultraviolet disinfectant device uses a special made high power ozone free ultraviolet germicidal lamp. The device is also equipped with a micro carbon austenite stainless steel barrel with a specially processed interior, while the exterior of the barrel is also specially polished. The result of this is the water passing the barrel would be radiated and receive 253.7nm (UVC) of ultraviolet with passing through the barrel, providing an excellent disinfectant effect.

Features:

- The reactor uses 304 polished stainless steel, the smooth interior leaves no blind spot for sterilization.
- The ultraviolet light tube is equipped with a quartz sleeve, to ensure optimal working temperature.
- The electrical configuration of the device is suitable to most electrical specifications.
- Special exterior design makes the device convenient to use.
- All rounded sterilization, highly efficient, sterilization rate up to 99.9%.
- High output, physical sterilization, no side effects, no secondary pollution.
- The amount of water that can be sterilized ranges from 5.5-250T/H. The device adapts to swimming pools, spa and water parks of various sizes.

UV STERILIZER DISINFECTING EQUIPMENT

Model	Power (W)	Rated flow (m ³ /h)	Working voltage (V)	Cabinet	Cabinet size L×D×H (mm)	Control box		Lamp power W x Qty	Inlet & outlet diameter DN
						With/without	Material		
WL-UVCn-78	78	5.5	220V/50Hz	304SS	930×108×720	With	Painted carbon steel	39W×2	Dn32 screw
WL-UVCn-160	160	12	220V/50Hz	304SS	930×108×720	With	Painted carbon steel	80W×2	Dn50 screw
WL-UVC-240	240	20	220V/50Hz	304SS	930×159×780	With	Painted carbon steel	80W×3	Dn65
WL-UVC-320	320	25	220V/50Hz	304SS	930×159×780	With	Painted carbon steel	80W×4	Dn80
WL-UVC-465	465	35	220V/50Hz	304SS	1630×219×830	With	Painted carbon steel	155W×3	Dn100
WL-UVC-620	620	45	220V/50Hz	304SS	1630×219×830	With	Painted carbon steel	155W×4	Dn80 or 100
WL-UVC-775	775	60	220V/50Hz	304SS	1630×219×1080	With	Painted carbon steel	155W×5	Dn150
WL-UVC-930	930	80	220V/50Hz	304SS	1630×325×1180	With	Painted carbon steel	155W×6	Dn150
WL-UVC-1280	1280	90	220V/50Hz	304SS	1630×325×1180	With	Painted carbon steel	320W×4	Dn150
WL-UVCP-1085	1085	100	220V/50Hz	304SS	1630×325×1180	With	Painted carbon steel	155W×7	Dn150
WL-UVCP-1395	1395	125	220V/50Hz	304SS	1630×325×1200	With	Painted carbon steel	155W×9	Dn150
WL-UVCP-1600	1600	110	220V/50Hz	304SS	1630×325×1400	With	Painted carbon steel	320W×5	Dn150
WL-UVCP-1705	1705	150	220V/50Hz	304SS	1630×325×1500	With	Painted carbon steel	155W×11	Dn200
WL-UVCP-1920	1920	130	220V/50Hz	304SS	1630×325×1500	With	Painted carbon steel	320W×6	Dn150
WL-UVCP-2240	2240	150	220V/50Hz	304SS	1630×377×1500	With	Painted carbon steel	320W×7	Dn200
WL-UVCP-2560	2560	180	220V/50Hz	304SS	1630×377×1500	With	Painted carbon steel	320W×8	Dn200
WL-UVCP-2880	2880	200	220V/50Hz	304SS	1630×377×1500	With	Painted carbon steel	320W×9	Dn200
WL-UVCP-3840	3840	250	220V/50Hz	304SS	1630×426×1500	With	Painted carbon steel	320W×12	Dn250

Note: • Lamp service life ≥9000H

- UVCn: thread connection; UVC: flange connection; UVCP: flange connection; all the control boxes are painted carbon steel.
- Can be equipped with manual cleaning device, automatic flushing device, or advanced online monitoring instrument and remote control system.



UVX SERIES UV STERILIZER FOR SEAWATER DISINFECTING EQUIPMENT

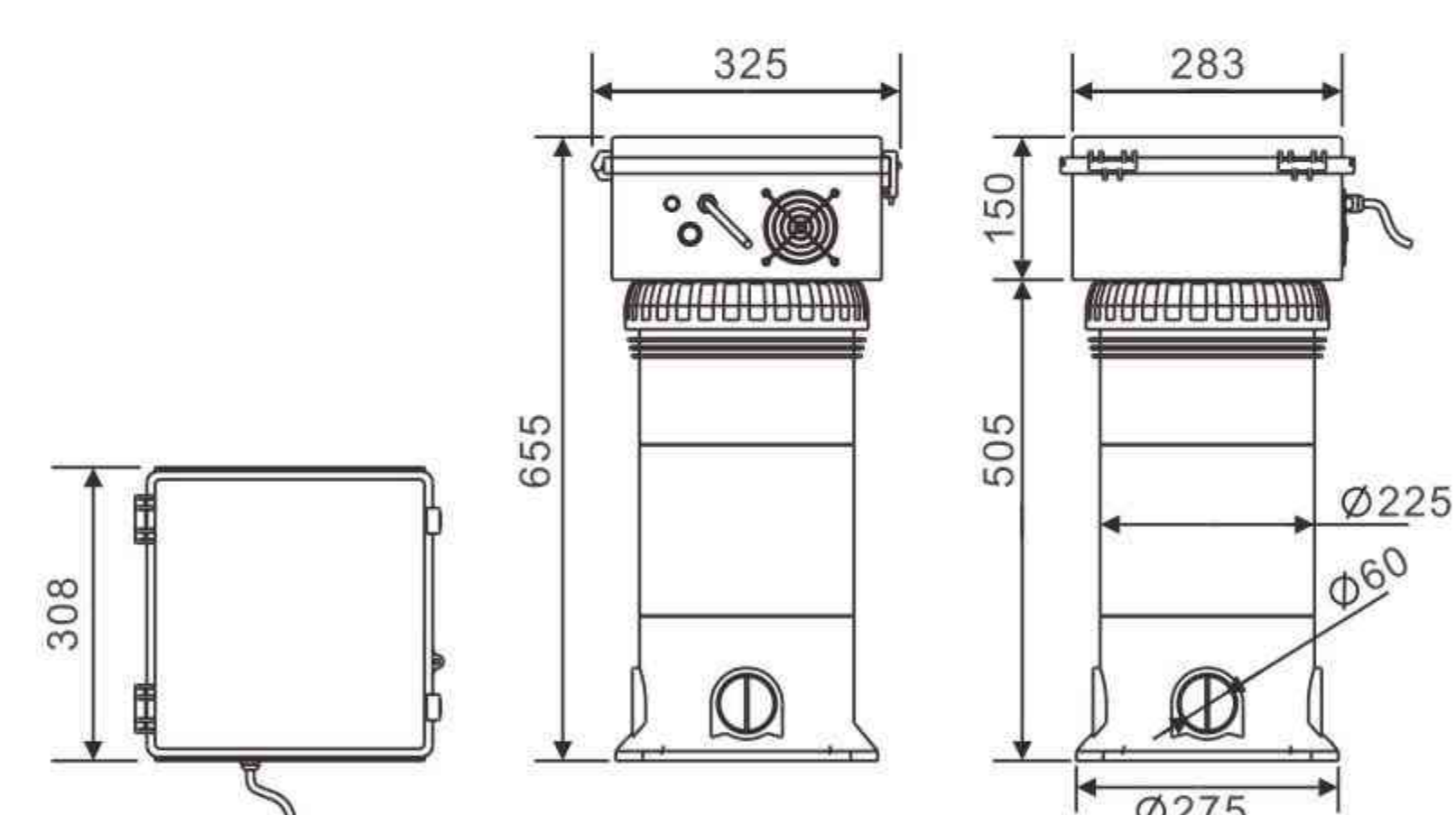


Specially designed for sea water environment. The housing is made of high quality PVC, which is anti-corrosion and durable. Equipped with UV-C lamp and high purity quartz sleeves for high efficient and long term sterilization. The disinfection process is fully closed, with sound and light alarm device, no chemical reaction and by-products.

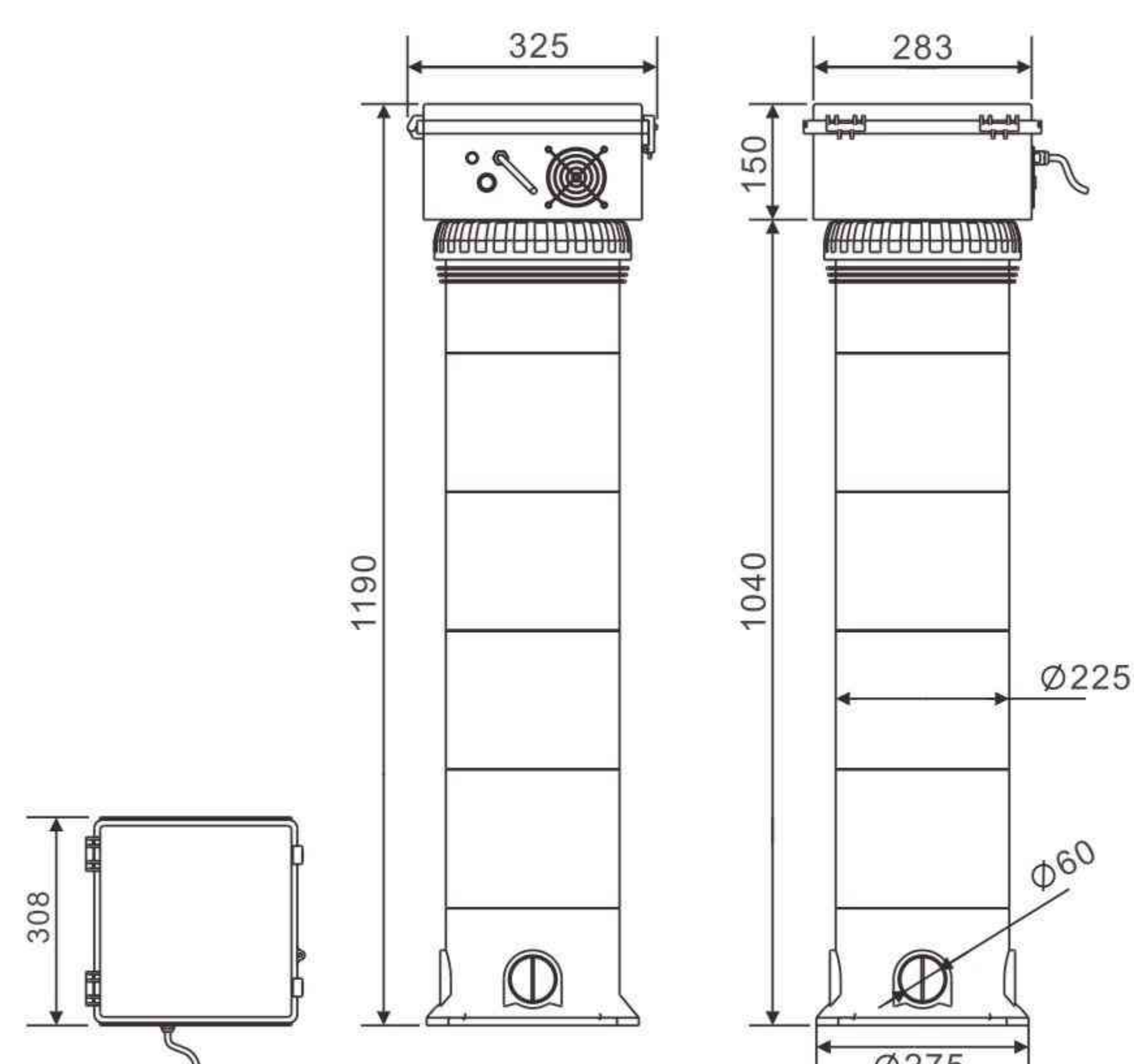
Advantages:

- High quality UV-C lamp which can achieve 99% sterilization rate.
- Stable and accurate dosage, service life of lamp is more than 10,000 hours.
- Excellent quartz tube provides transmittance over 99%.
- Safe and reliable operation, simplified operation and reduced maintenance.

Model	Flow rate (m ³ /h)	Total power (W)	Voltage (V)	Connection size (mm)
WL-UVX46	5	46	220/50Hz	DN63
WL-UVX92	8	92	220/50Hz	DN63
WL-UVX160	15	160	220/50Hz	DN63
WL-UVX320	25	320	220/50Hz	DN63



WL-UVX46, WL-UVX92



WL-UVX160, WL-UVX320

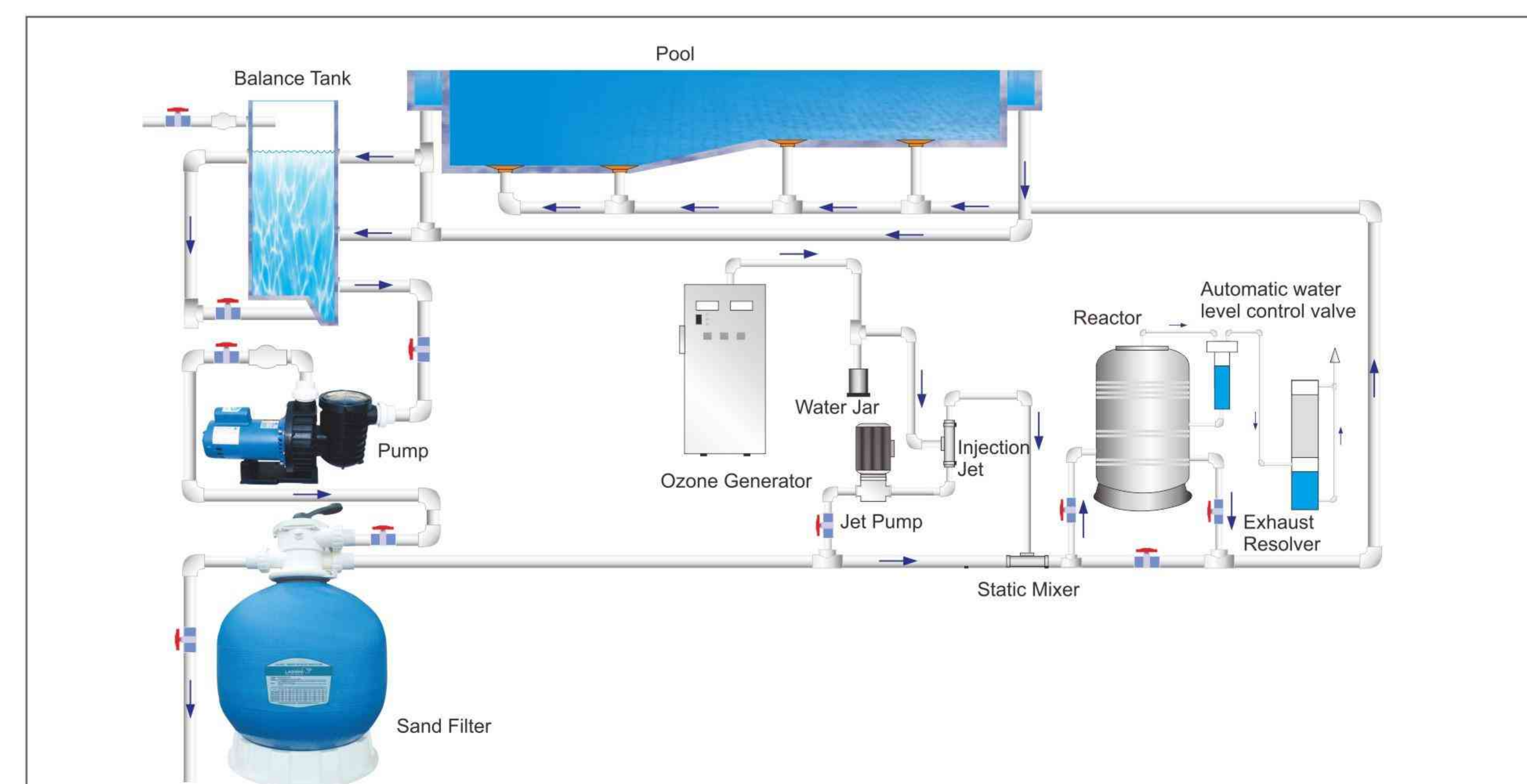
WALL-MOUNTED OZONE GENERATOR DISINFECTING EQUIPMENT



The wall-mounted ozone generator is suitable for disinfection and sterilization of individual space. Wall mount design is easier for ozone gas to reach anywhere for disinfection. It can be widely used in swimming pool and pond.

Advantages:

- Air cooling design.
- Microcomputer timer, the working time can be preset according to needs.
- The shell is designed with stainless steel, which is durable.
- The ozone generating tube has high conversion efficiency, low energy consumption, can work continuously, and has a long service life.
- Built-in anti-backwater solenoid valve.



Model	DNA-3G	DNA-5G	DNA-7G	DNA-10G	DNA-15G	DNA-20G
Ozone Output	3g/h	5g/h	7g/h	10g/h	15g/h	20g/h
Power	60 W	80 W	120 W	140 W	250 W	270 W
Cooling Method	Air Cooled	Air Cooled	Air Cooled	Air Cooled	Air Cooled	Air Cooled
Outlet Diameter	4mm	4mm	4mm	4mm	10mm	10mm
Unit Weight	4kg	4.2kg	7.8kg	8.4kg	13.2kg	14.6kg
Disinfection Area	0-30m ²	0-50m ²	0-70m ²	0-100m ²	0-150m ²	0-200m ²
Dimension(L*W*H)	23*18*46cm	23*18*46cm	32*25*52.5cm	32*25*52.5cm	40*30*62cm	40*30*62cm
Feed gas	Clean And Dry Air(inner air pump)					
Voltage	110V/60Hz;220-240V/50Hz;220V/60Hz					

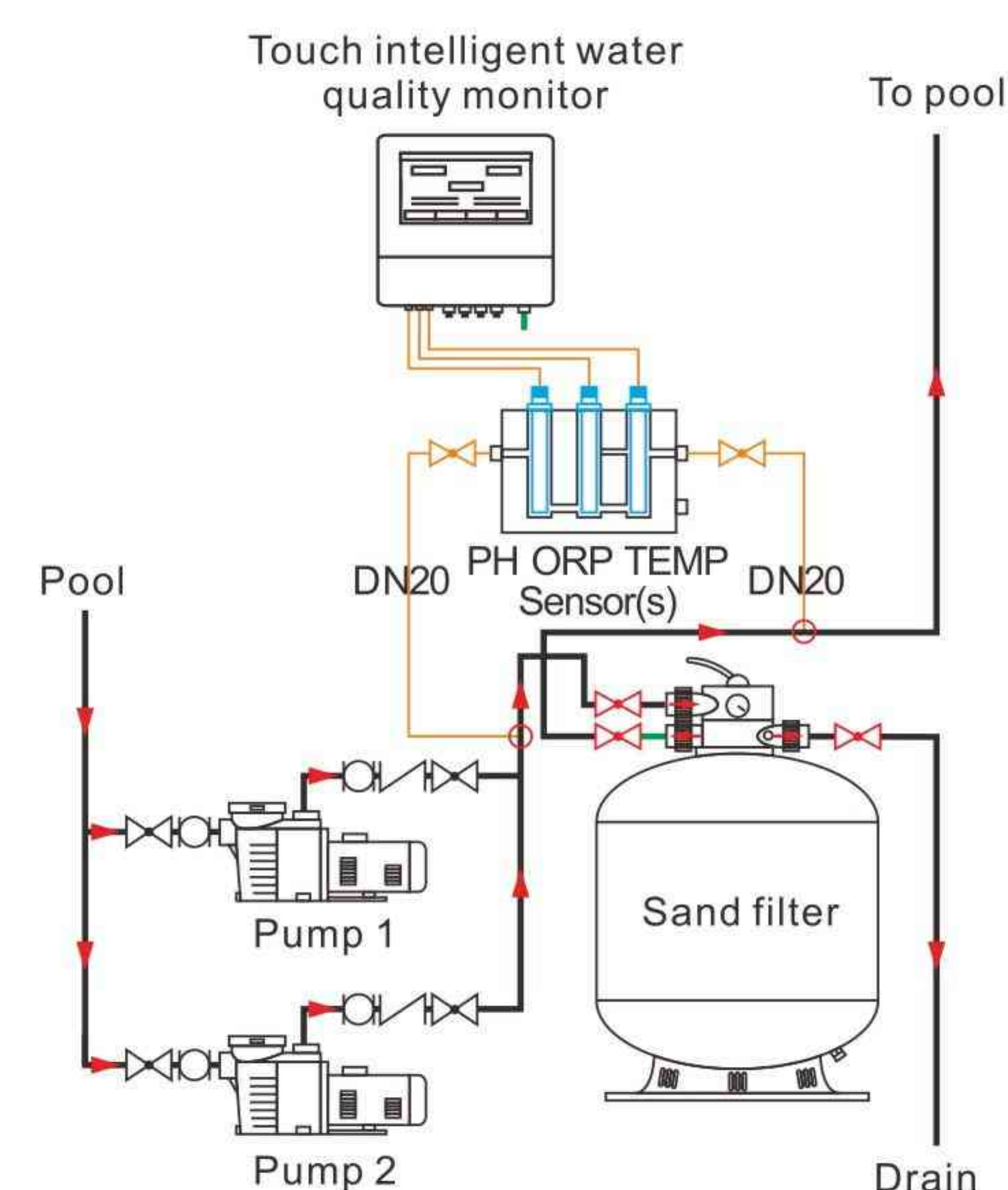
TOUCH INTELLIGENT WATER QUALITY MONITOR DISINFECTING EQUIPMENT

- Electrode plug and play, no conversion module is needed, three-point probe calibration, more precise data. Water quality parameter standards include European, Chinese and other national standards;
- Switch free between Chinese and English interfaces, more convenient to operate by full touch screen;
- Less failure, high accuracy, low maintenance.
- Can control 3 sets of dosing pump;



Installation Guide:

- Close the water valves at the front and back of the installation site to keep the installation section free of water, so as to avoid accidents.
- The water intake point shall be located behind the water pump and in front of the filter in the return water pipeline of the swimming pool. There is a certain pressure difference between the water inlet and the outlet to make the water flow through the flow trough. Use tools to drill a DN15 hole at this main pipeline or change it to DN15 through tee, and fix the DN15 ball valve at the water intake;
- Install the acrylic flow trough and the water quality monitor. Use the wall mounting method to connect the flow trough with the DN15 ball valve of the water intake through 6x4mm hose;
- The water outlet of the flow trough is directly discharged by pressure relief through 6x4mm hose (discharged to the water collecting well or returned to the equalization tank);
- Open the water valve to confirm whether there is water flow through the flow trough and the water flow is enough.



Technical Parameter

Product Model	WL-SZ1202
PH measurement	Electrode method , measurement range : 0 -14PH , measurement accuracy : <0.01PH , suitable temperature : 0-80 °C
ORP measurement	Electrode method, measurement range : 0--+1200mv , measurement accuracy : <2mv , suitable temperature : 0-80 °C
Input power	220-250V , 50/60Hz
Output	3 sets of dosing pump output (5A , 220V-240V)
Display	4.3-inch LCD screen
Operation	Touch
Dimensions	200(height) x 235(width) x70 (depth) mm
Weight	1.7kg
Installation method	Wall-mounted
Housing material	Plastic
Protection grade	IP65
Working environment	Normal temperature and keep dry
Others	Built-in water quality standards. Support Chinese and English bilingual

Notes: Each machine corresponds to a pair of probes, not to be mixed up. Clean and calibrate the probe every 3 months.

METERING PUMP DISINFECTING EQUIPMENT



The metering pump is designed to inject chemicals into piping systems. All models are equipped with a side mounted mechanical flow rate adjustment knob. Optional on/off cycling timers are available.

Model	Strokes Per Minute	Max. Flow Rate (L/h)	Max. Pressure (Bar)	Power source
WL-AYB660P	60	14	2	220V/50Hz-45W

CHEMICAL FEEDER

Features:

- No special venting required.
- Completely sealed, no escape of gas.
- Positive external, no-clog control valve.
- Feeder is designed to automatically lower the water level so tablets are not soaking during off period of pump. This allows more efficient use of tablets.
- No equipment damage. Feeds sanitizer directly to pool or spa.
- To prevent over feeding during use, completely close the control valve and the built in check valve will prevent chemical from being fed into pool or spa.
- All parts replaceable.
- Never connect with brass pipe.



WL-AYJ01



PCF01

4.2lbs (1.9kgs) Inline Chlorine Feeder Body



CL-200

Features:

- 9lb inline chlorine feeder.
- Chlorine feeder rate is adjustable by regulating the valve setting.
- Easy-lock cover for total tightness.

SMARTER WATER FOR A
SMARTER HOME

05



HEAT PUMP

FULL INVERTER SWIMMING POOL HEAT PUMP PREMIUM SERIES

LASWIM Premium series swimming pool heat pump is powered by mature stepless DC inverter technology, which helps to greatly reduce the energy consumption while running silently, enabling the unit to reach extremely high COP up to 14. By smart conversion of compressor speed, fan motor speed and system pressure, this Premium series heat pump can provide amazing energy saving and silent performance.



Stepless DC Inverter

LASWIM full inverter series core technology is stepless DC inverter. It adopts stepless inverter compressor and DC brushless fan motor. The speed can be adjusted as low as one hertz and one round, which provides amazing energy saving and super silence performance.

Intelligent protection

Can adapt to wide voltage of 180V ~ 260V and adjusts the system in different tough condition. For example, if there is electricity fluctuation or during electricity peak period, the system can slow down intelligently for comfortable operation. Thus, it brings longer service life than normal on/off heat pump.

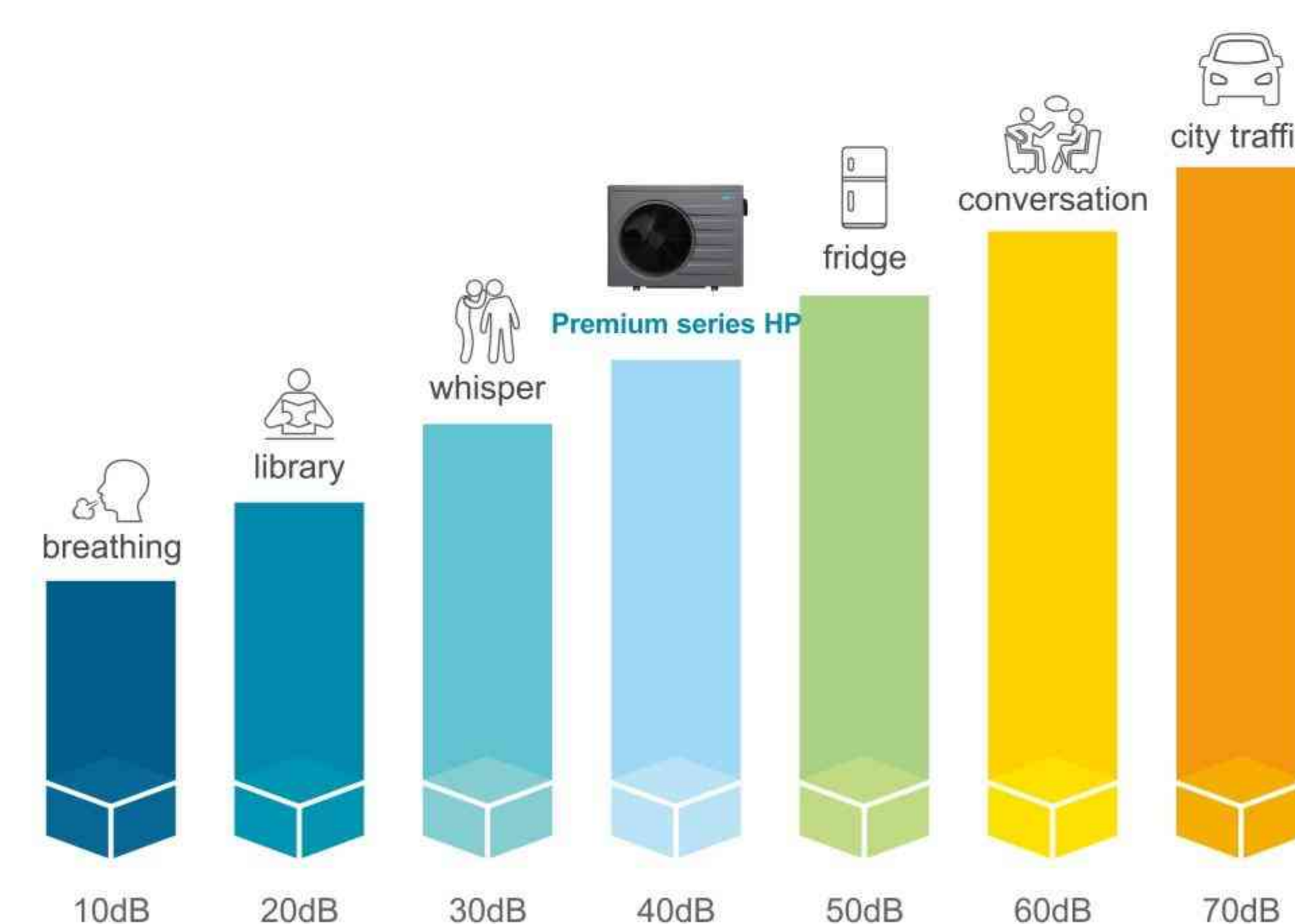
Specially designed inverter control system

The control system is specially designed for pool heating. It can adjust the heating capacity precisely according to different heating loss in the swimming season. The design philosophy is to achieve fast heating at high speed in the beginning of the season, and slow down at middle & low speed when the pool water reaches the target temperature, for better energy saving and silent performance in the rest of the season.



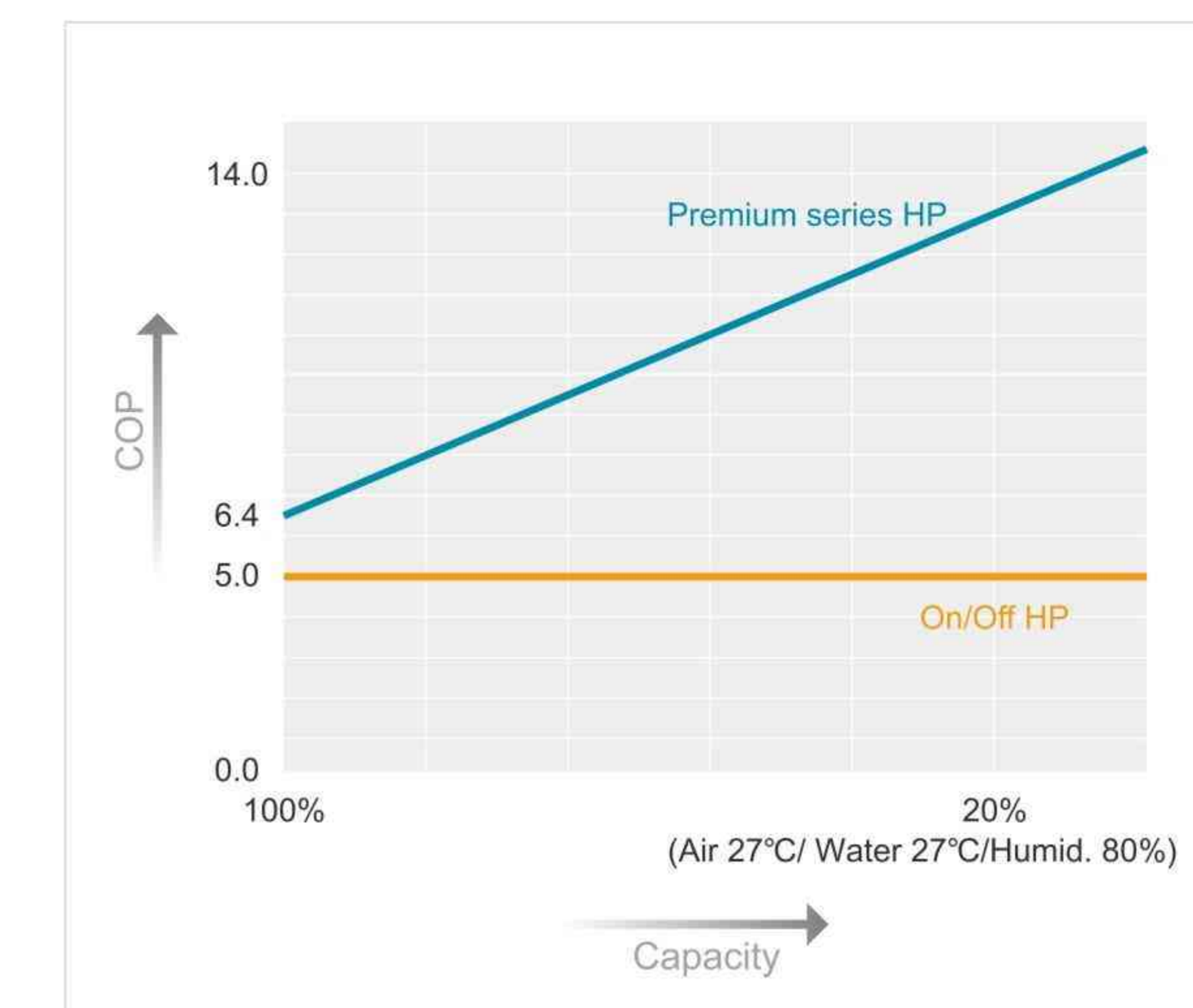
Super silent running

- Thanks to the full inverter technology, this Premium series pool heat pump can bring you much quieter swimming environment than a normal on/off pool heat pump, which is more friendly to your neighborhood.



COP up to 14

- When maintaining pool temperature at 95% of pool season, the COP of this Premium series heat pump can be up to 14 when running at middle & low speed, which leads to the best energy saving performance and most silent pool environment.



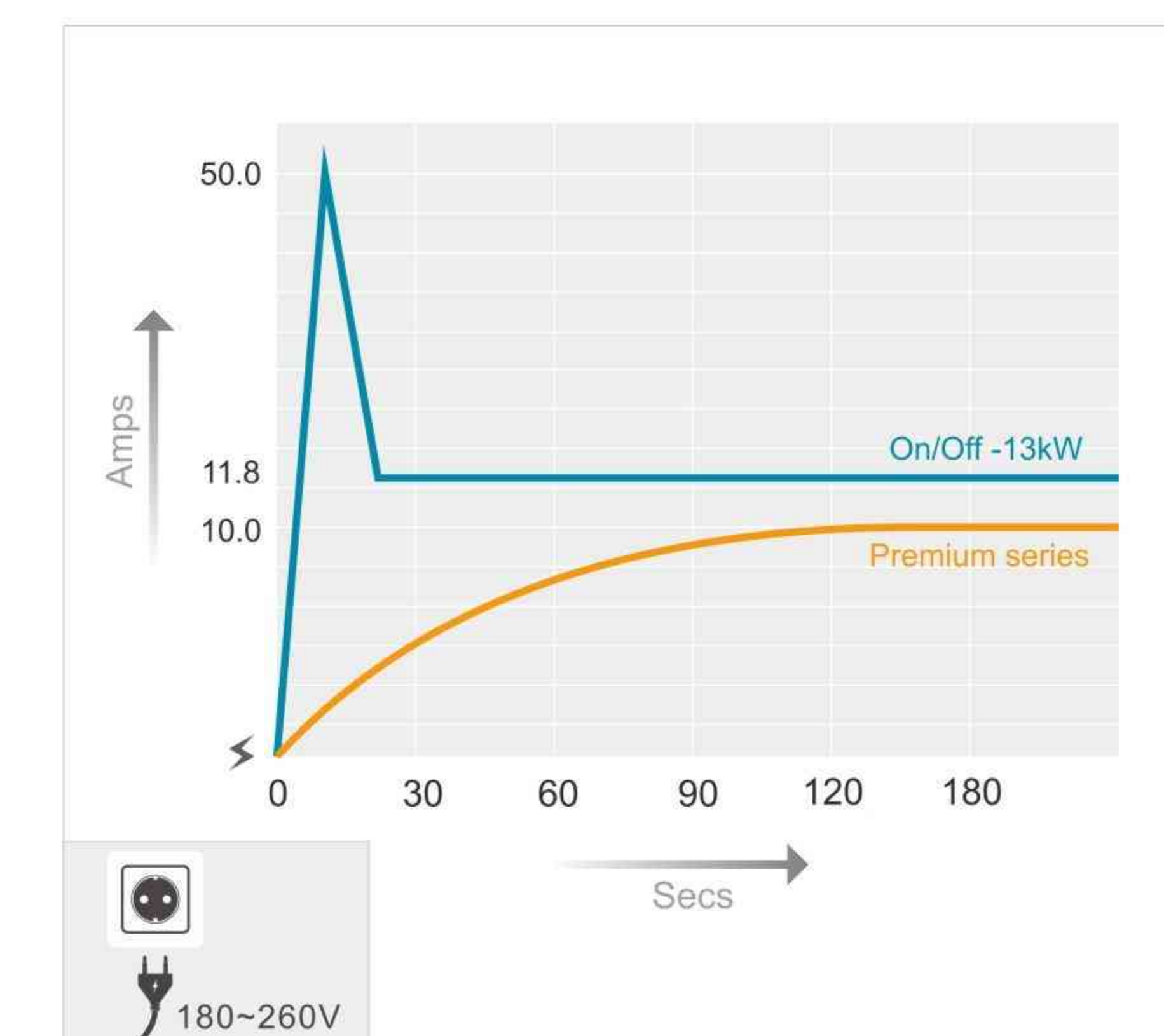
Energy saving

- Adjusting the operating frequency of its compressor and fan motor automatically according to the heating or cooling demand, Premium series heat pump runs at middle & low speed most of the time, it is nearly double energy saving than On/Off heat pump.



Soft start & wide voltage application

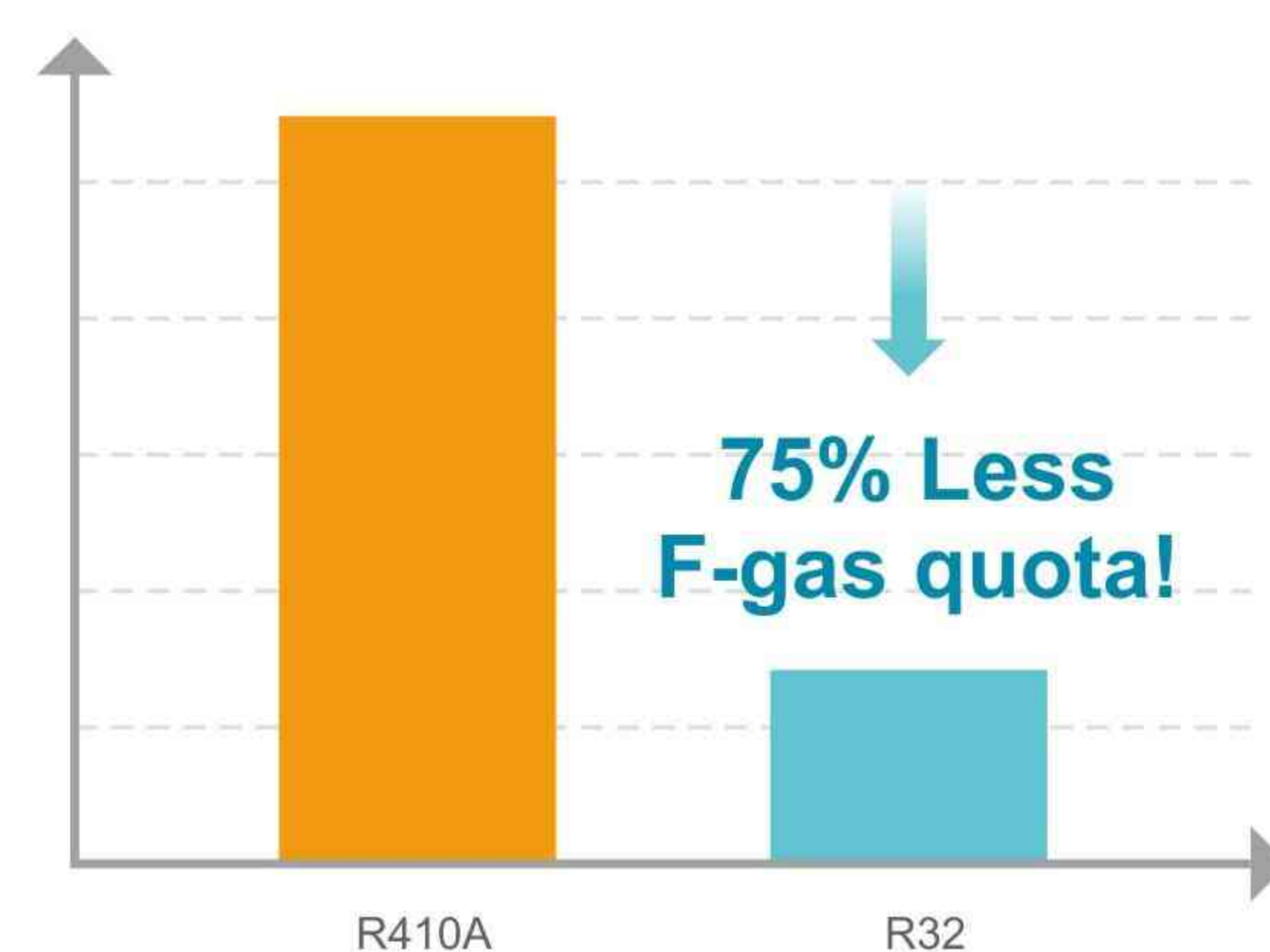
- By using stepless DC inverter compressor, the input current will start from 0 Amps to rated Amps steadily, to better protect the house electricity system. With its smart conversion, this premium series heat pump can be also adapted to wide voltage from 180~260V.



FULL INVERTER SWIMMING POOL HEAT PUMP PREMIUM SERIES

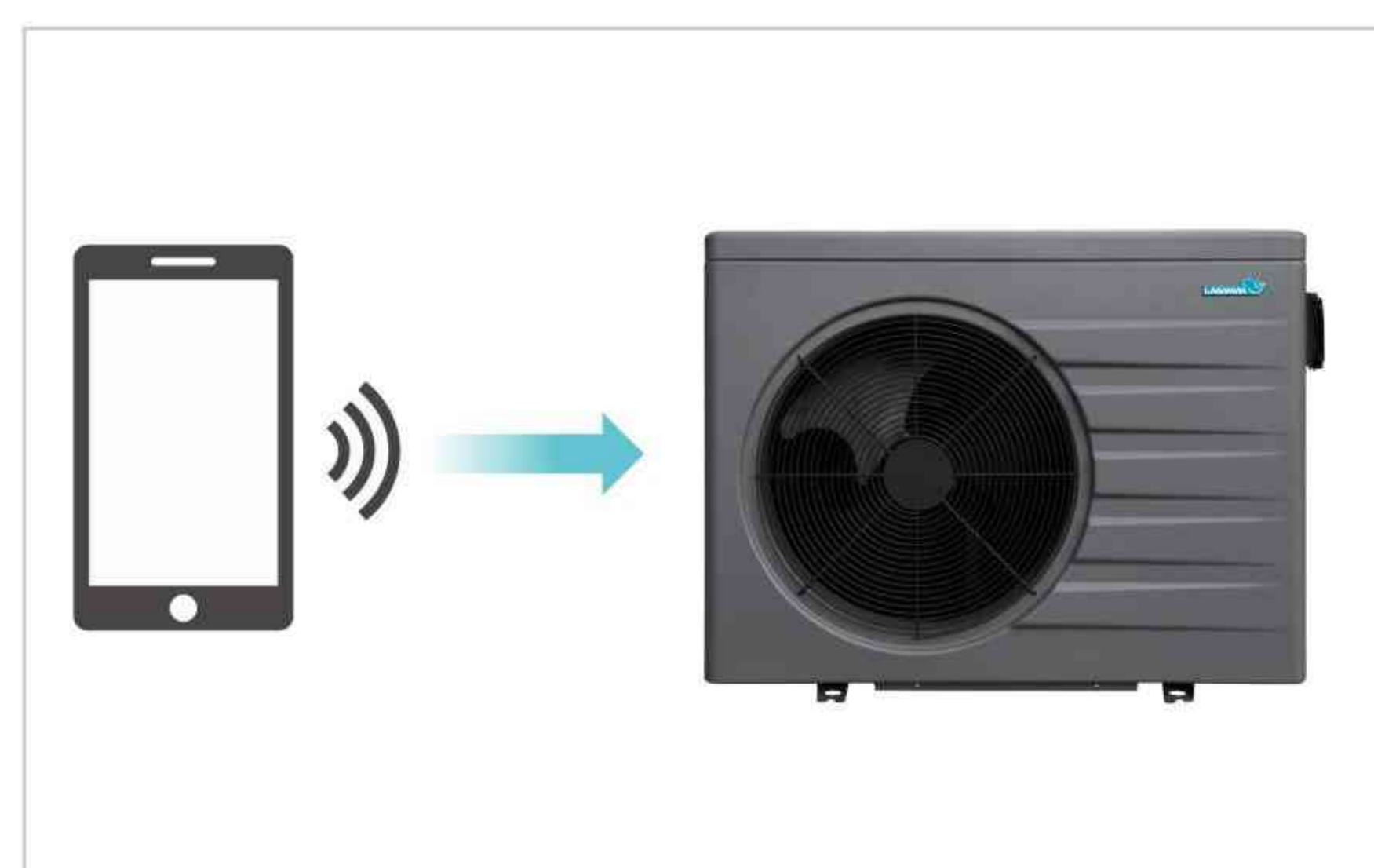
Eco-friendly refrigerant R32

- Compared to other refrigerants widely used today, R32 is remarkable for its small environment impact and has a global warming potential(GWP) of 675, which is two-third lower than R410A, cuts 75% carbon emission and 75% F-gas quota cost.



Built-in Wi-Fi function

- With Wi-Fi function, you can control your heat pump through a smart APP on the phone easily anywhere and anytime.



Other features

- DC** Twin-rotary DC inverter compressor
- EEV** EEV technology: 10 times flexibility to adjust the gas flow and increase the COP by up to 20%.
- Reverse cycle defrosting with 4-way valve for quick & efficient defrosting
- Spiral titanium heat exchanger: 40% higher efficiency than normal titanium heat exchanger.
- 10°C** Design for operating air temperature as low as -10°C
- Can be used for swimming pool heating or cooling.

Customizable Appearance

In order to choose your most preferable color or appearance of the heat pumps, customized appearances service is available .



Grey



Black

Technical parameters

Model	LS07-IFP1-S2C1	LS09-IFP1-S2C1	LS13-IFP1-S2C1	LS16-IFP1-S2C1	LS20-IFP1-S2C1	LS24-IFP1-S2C1
Performance condition: Air: 27°C / Water: 27°C / Humidity: 80%						
Heating capacity (kW)	1.4-7.2	1.9-9.3	2.6-13	3.2-16	4.1-20.5	4.8-24.4
Heating capacity (BTU)	4800-24600	6500-31700	8900-44400	10900-54600	14000-70000	16400-83300
COP Range	14.8-6.4	14.8-6.7	14.9-6.4	14.5-6.4	14.6-6.4	14.8-6.0
Average COP at 50% Speed	9.8	9.7	9.8	9.6	9.7	9.8
Performance condition: Air: 15°C / Water: 26°C / Humidity: 70%						
Heating capacity (kW)	1.0-5.0	1.3-6.5	1.8-9.1	2.3-11.5	2.9-14.4	3.4-17.1
Heating capacity (BTU)	3400-17000	4400-22200	6100-31000	7850-39200	9600-47800	11600-57300
COP Range	8.6-4.1	8.7-4.2	8.4-4.0	8.7-4.2	8.8-4.1	8.6-4.1
Average COP at 50% Speed	6.9	6.8	6.9	6.7	6.8	6.9
Technical specifications						
Advised pool volume (m ³) *	15~30	20~45	35~65	40~75	50~90	60~110
Operating air temperature (°C)	-10°C~43°C					
Power supply	220-240V / 1Ph / 50-60Hz					
Heat exchanger	Spiral titanium tube in PVC					
Refrigerant	R32					
Casing	ABS(Galvanized steel is available)					
Compressor	Twin-rotary					
Rated input power (kW)	0.1-1.13	0.13-1.39	0.17-2.03	0.22-2.5	0.28-3.2	0.32-4.1
Input power at 50% Speed (kW)	0.4	0.5	0.7	0.9	1.2	1.3
Rated input current (A)	0.40-4.9	0.52-6.0	0.8-8.8	1.0-10.9	1.2-14.0	1.4-17.7
Maximum input current (A)	5.8	7.2	10.6	13.1	16.7	21
Power cord (mm ²)	3*1.5	3*1.5	3*2.5	3*2.5	3*4.0	3*4.0
Sound level at 1m dB(A)	36.8~50.2	38.6~52.5	42.5~52.0	42.5~52.0	44.3~57.0	44.9~58.7
Sound level by 50% speed 1m dB(A)	42.5	45.8	47.5	47.5	48.6	48
Sound level at 10m dB(A)	17.9~30.2	19.6~31.4	22~32.5	24.2~35.4	24.3~36.2	25.9~37.6
Advised water flow (m ³ /h)	2~4	3~5	4~6	6~8	7~10	10~12
Water connection (mm)	50					
R32 Net weight (g)	450	600	750	1500	1500	1750
Gross weight (kg)	50	52	53	65	68.5	79.5
Net weight (kg)	42	44	45	56	59	70
Net dimension LxWxH (mm)	891x370x665	891x370x665	891x370x665	981x370x665	981x440x765	981x440x765
Packing Size (mm)	936x385x695	936x385x695	936x385x695	1026x385x695	1026x455x800	1026x455x800
Qty per 20'FT / 40'HQ (sets)	102/216	102/216	102/216	90/198	50/165	50/165

Remarks:

- The above data will be subject to change without further notice, please refer to the nameplate on the unit.
- Advised pool volume applies to a private pool with an isothermal cover, from April to September.

SUPER SILENT FULL INVERTER SWIMMING POOL HEAT PUMP INFINITY SERIES

LASWIM super silent full inverter swimming pool heat pump Infinity series is specially designed for silent and comfortable user experience, with COP up to 15 while sound level is down to 42dB. Thanks to the DC inverter compressor, stepless inverter control system and brushless fan motor, the speed can be adjusted Hz by Hz and round by round, to achieve energy saving and super silence.

Stepless DC Inverter
COP up to 15

42dB(A) at 1m
Comfort Silence

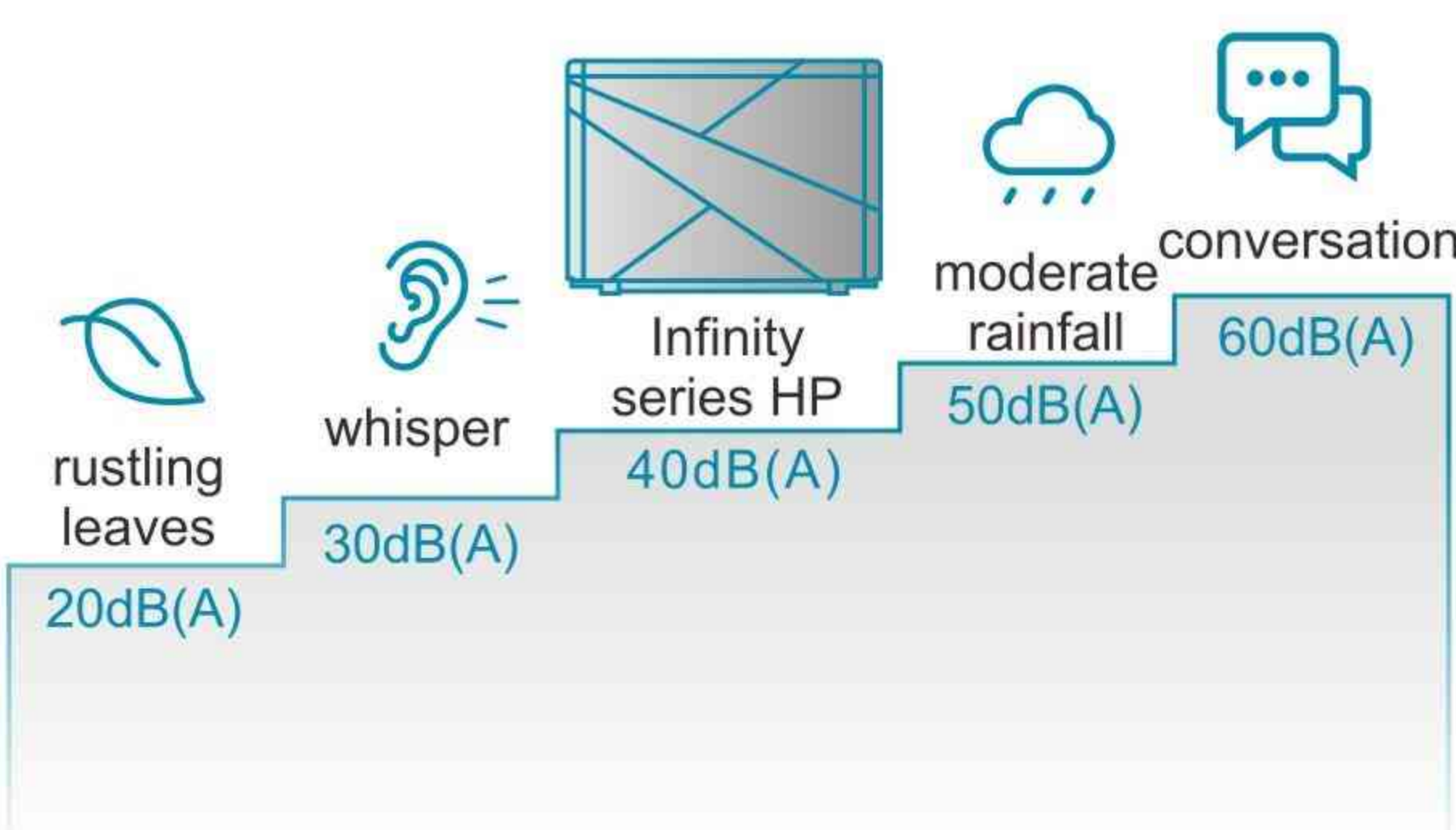
WIFI

CE



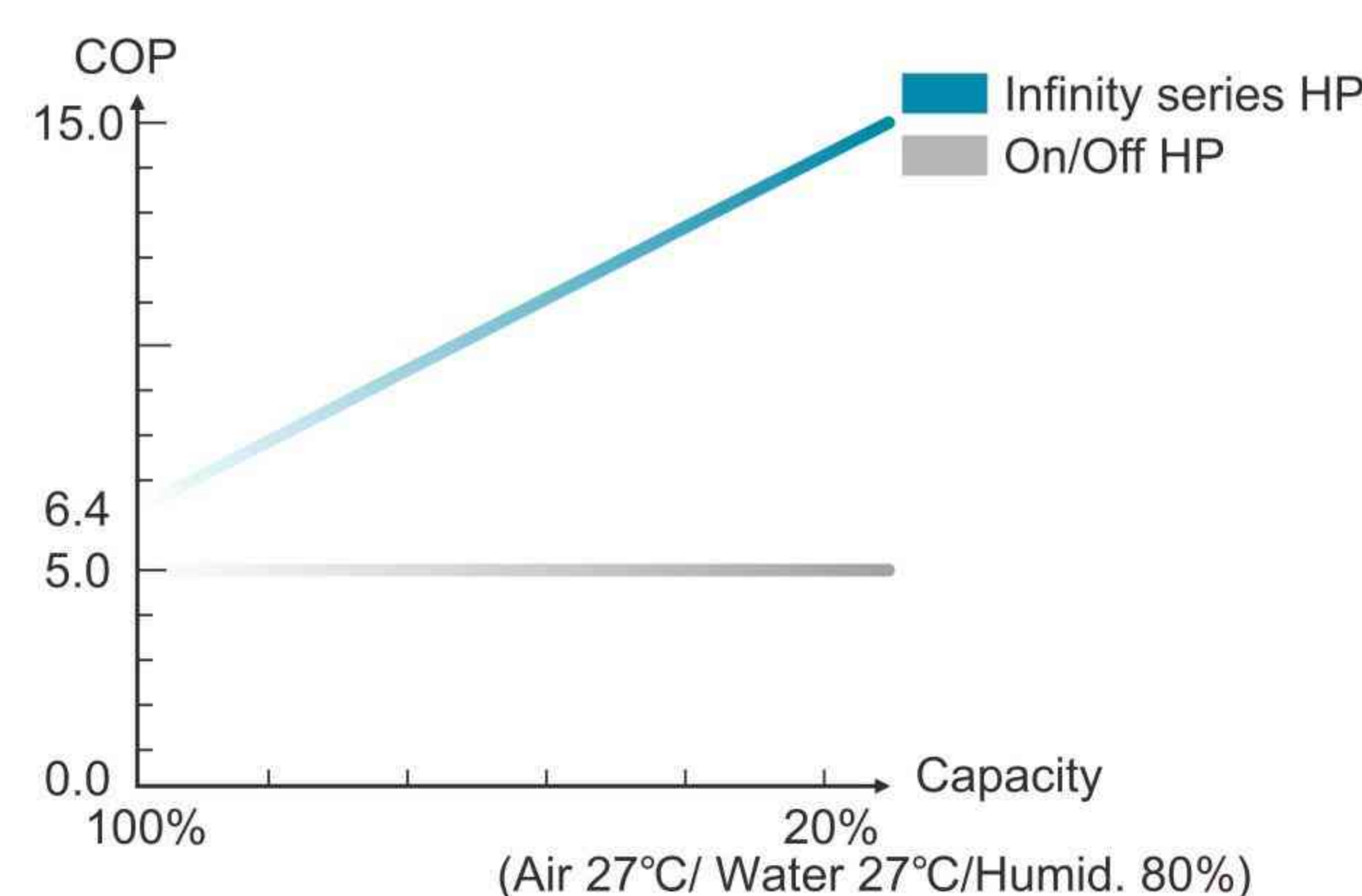
Super silence

- Unique backward airflow helps to provide comfort silence swimming experience. It adopts invisible fan to draw air from two sides and bottom side, and exhaust out from back side to eliminate every possible noise to realize silence and comfort, and achieve a sound level down to 42dB(A) at 1m, 10dB(A) lower than On/Off heat pump, you'll hardly notice it's there.



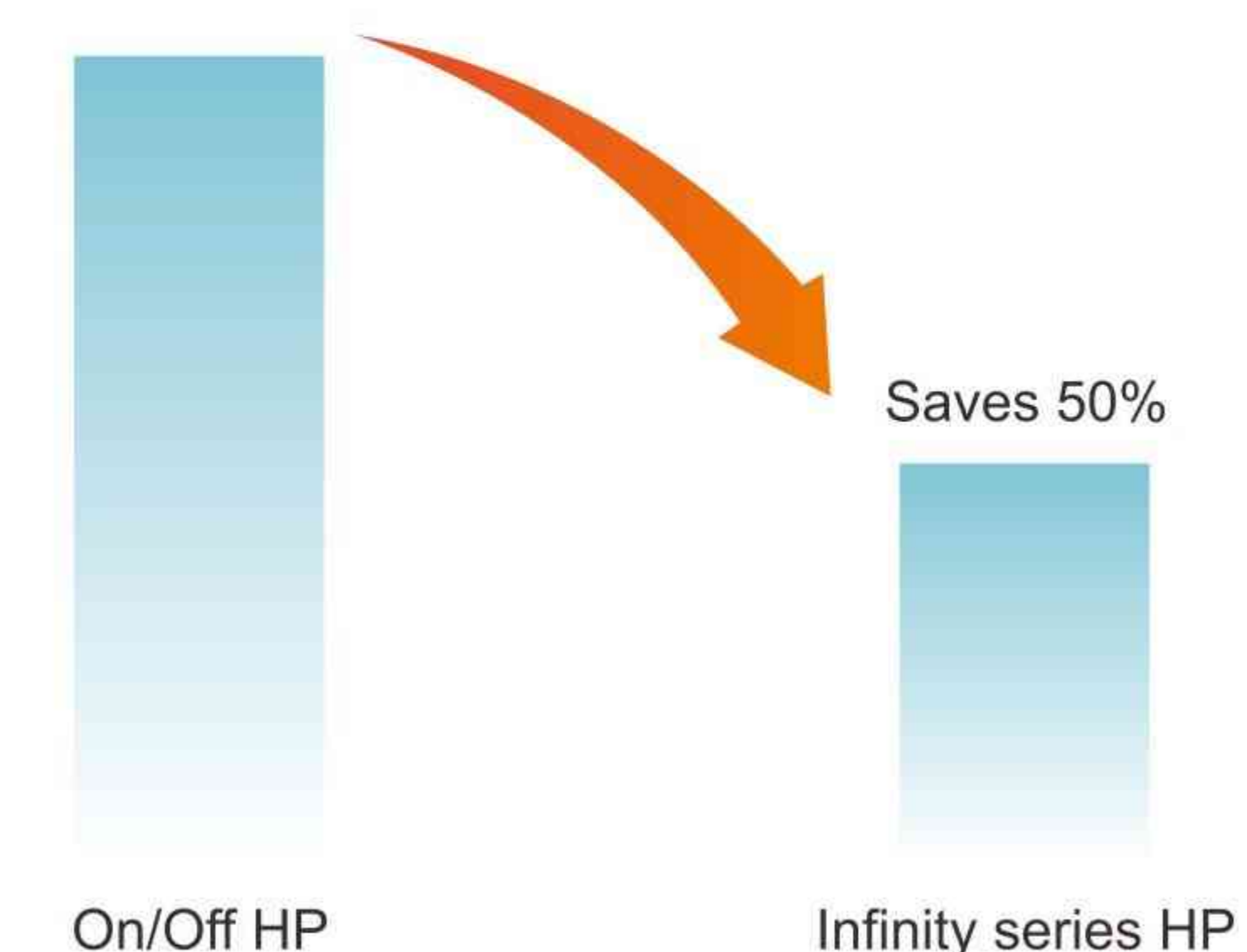
COP up to 15

- Infinity series heat pump runs at middle & low speed to maintain pool temperature for 95% of swimming season, COP can be up to 15.



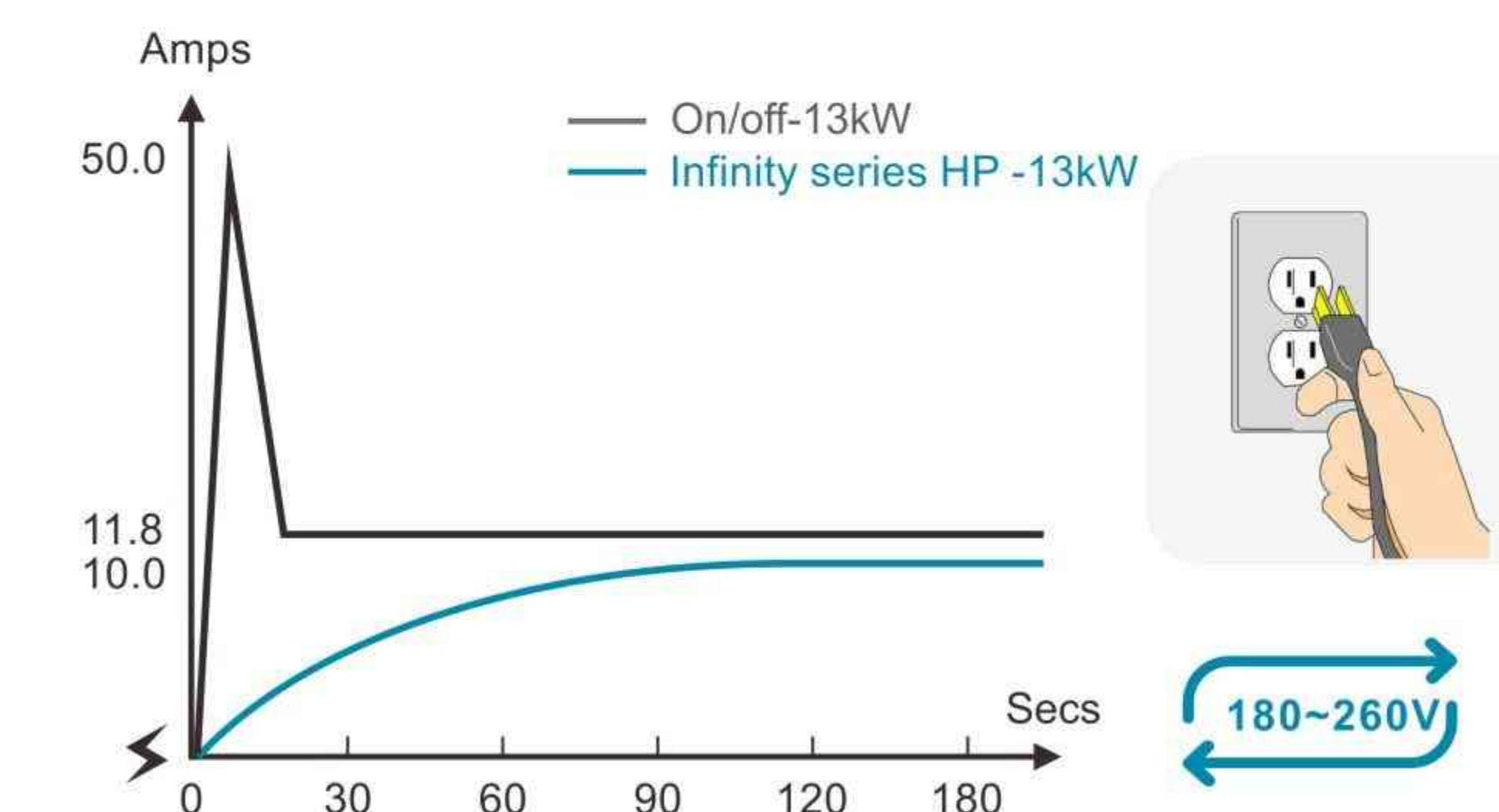
Energy saving

- With low-speed running most of the time, Infinity series heat pump is double energy saving than On/Off heat pump, as it will adjust the operating speed of its compressors and fan motors automatically according to the heating or cooling demand.



Soft start & wide voltage application

- The input current will start from 0 Amps to rated Amps steadily. More friendly to house electricity system. Infinity series heat pump can be also adapted to wide voltage from 180~260V.



Built-in Wi-Fi function

- With Wi-Fi function, you can control your heat pump with a smart APP on the phone easily at anywhere and anytime.



Other features

- EEV technology**
10 times flexibility to adjust the gas flow and increase the COP by up to 20%.
- Twisted titanium heat exchanger**
40% higher efficiency than normal titanium heat exchanger.
- 10°C**
Designed for down to Air -10 °C Operation.
- ECO-Friendly refrigerant R32**
32% GWP comparing to R410A, 25% CO₂ carbon consumption and 25% quota cost
- DC**
Twin-Rotary DC Inverter compressor.
- Reverse cycle defrosting**
With Saginomiya 4-way valve for quick and efficient defrosting.



SUPER SILENT FULL INVERTER SWIMMING POOL HEAT PUMP INFINITY SERIES

Technical parameters

Model	LS13-IFPQ1-S4C2	LS16-IFPQ1-S4C2	LS20-IFPQ1-S4C2	LS24-IFPQ1-S4C2
Performance condition: Air 27°C/ Water 27°C/ Humid. 80%				
Heating capacity (kW)	2.6-13.2	3.2-16.0	4.1-20.8	4.5-24.0
Heating capacity (BTU)	8900-45100	11000-54600	14000-71000	15400-81900
COP Range	14.9-6.0	14.5-5.9	15.2-6.1	15.0-5.7
Average COP at 50% Speed	9.8	9.6	9.7	9.8
Performance condition: Air 15°C/ Water 26°C/ Humid. 70%				
Heating capacity (kW)	1.8-9.1	2.3-11.5	2.9-14.4	3.4-15.9
Heating capacity (BTU)	6200-31100	7900-39300	9900-49200	11600-54300
COP Range	8.4-4.0	8.7-4.2	8.8-4.1	8.7-4.2
Average COP at 50% Speed	7.4	7.1	7.3	7.2
Technical specifications				
Advised pool volume (m ³) *	20-45	35-65	50-90	60-110
Operating air temperature (°C)	-10°C~43°C			
Compressor	Twin-rotary Compressor			
Heat exchanger	Titanium			
Power supply	220-240V / 1Ph / 50-60Hz			
Refrigerant	R32			
Material	ABS+Galvanized Sheet			
Rated input power (kW)	0.17~2.03	0.2~2.3	0.28~3.2	0.30~4.2
Input power at 50% Speed (kW)	0.7	0.8	1.2	1.3
Rated input current (A)	0.8~8.8	0.9~10.0	1.2~14.0	1.3~18.2
Maximum input current (A)	10.6	12.0	16.7	22.0
breaker rated current (A)	15.0	20.5	23.5	25.0
Power cord (mm ²)	3×2.5	3×2.5	3×4.0	3×4.0
Sound level at 1m dB(A)	42.2~52.8	42.5~54.0	43.8~54.5	42.9~56.7
Sound level by 50% speed 1m dB(A)	45.8	45.5	47.1	48
Sound level at 10m dB(A)	22.2~31.8	22~34.5	23.6~34.2	21.9~37.6
Advised water flux (m ³ /h)	4~6	6~8	7~10	10~12
Water connection (mm)	50			
R32 Net weight (g)	900	1100	1300	1400
Net weight / Gross weight (kg)	53/67	58/72	70/86	76/92
Net dimension LxWxH (mm)	900x430x670	900x430x670	1060x430x780	1060x430x780
Packing size LxWxH (mm)	960x450x700	960x450x700	1150x450x810	1150x450x810
Qty per 20'FT / 40'HQ (sets)	95/180	95/180	50/150	50/150

Remarks:

- The above data will be subject to change without further notice, please refer to the nameplate on the unit.
- Advised pool volume applies to a private pool with an isothermal cover, from April to September.

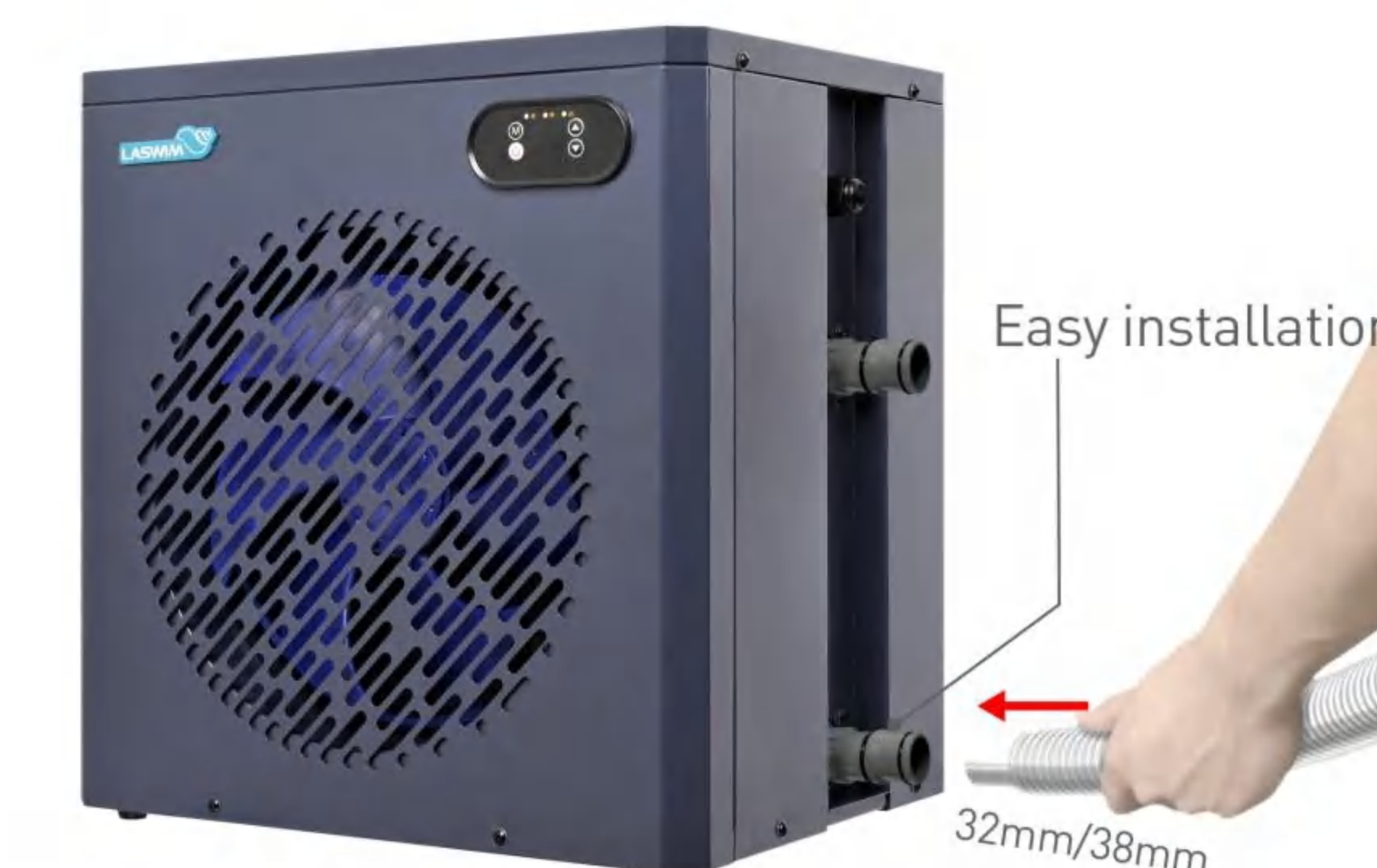
INVERTER MINI SWIMMING POOL HEAT PUMP IMN SERIES

LASWIM inverter mini swimming pool heat pump IMN series is the best choice for various small above ground pools. You can easily enjoy a comfortable heated swimming pool in your backyard, even on not-so-beautiful summer days. Thanks to the inverter technology, it absorbs free heat from the environment and passes it into the water for reduced and controlled energy consumption.



Features:

- Ideal for above-ground pools, spas and splash pools
- Operating air temperature 5 °C-43 °C
- Easy installation (quick connection)
- Simple and intuitive control panel
- Low noise operation
- Filled with environmentally friendly R32 gas
- Titanium heat exchanger
- 1.5m wire cable&plug with RCD protection
- Suitable for 32mm or 38mm water connections

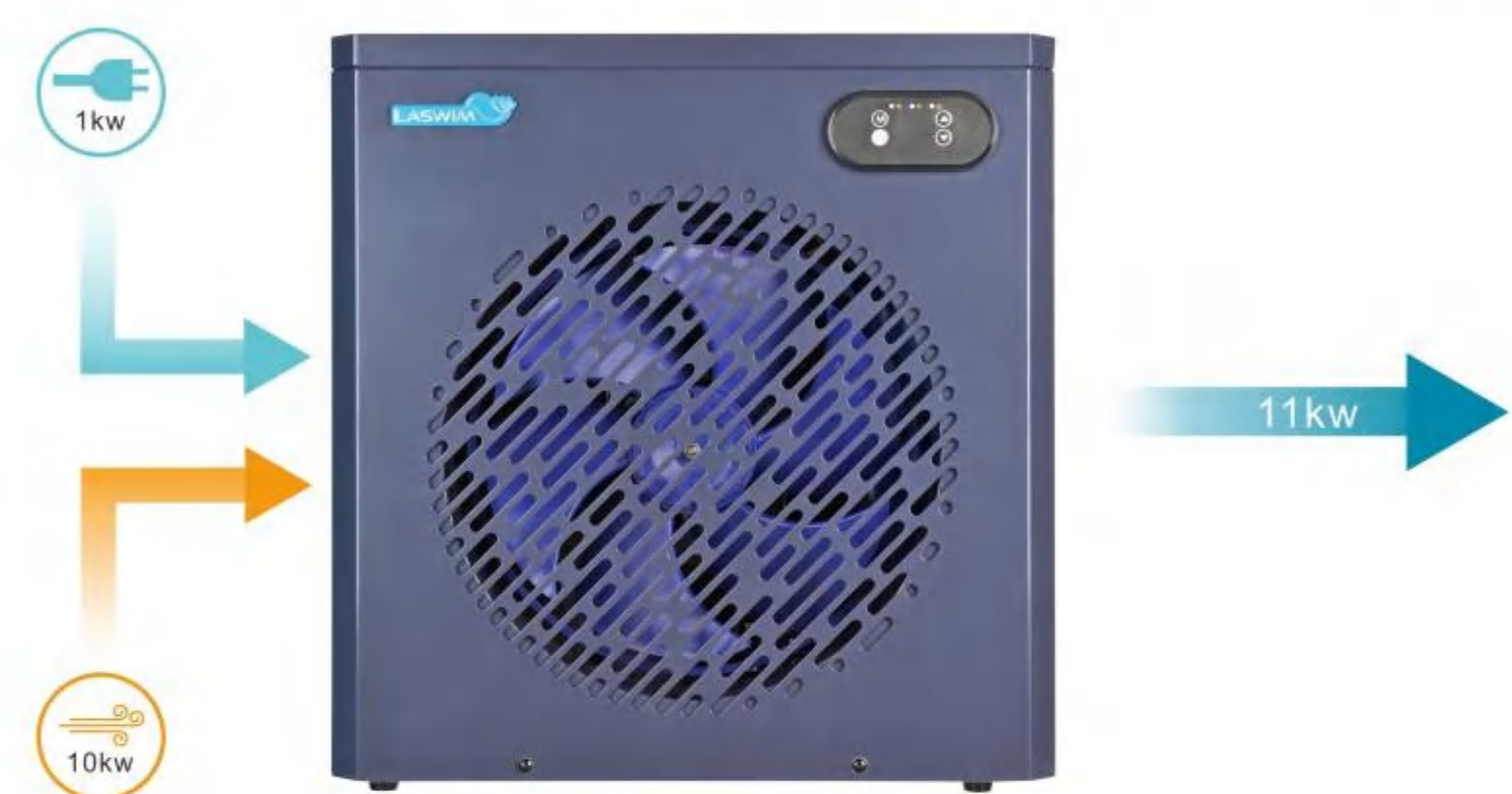


Application :



Save 80% energy

COP is up to 13, over 80% free energy from the ambient air



Just plug&play

Simple plug and play saves valuable installation time



NORMAL TEMPERATURE POOL HEAT PUMP

LASWIM normal temperature commercial swimming pool heat pump is designed with titanium heat exchanger, can effectively resist the corrosion of chloride ion in pool water. This series heat pump is a reliable and energy-saving solution for pools in hotels, SPA, water parks, gyms, competition pool, etc.



LAS70-KP - LAS105-KP

Features:

- Intelligent control for constant pool water temperature (max 40°C).
- Wide working air temperature range: -5°C to 43°C.
- Anti-corrosion titanium in PVC heat exchanger for durable use.
- Multiple protections for safe operation and long service life.
- The housing adopts high-quality galvanized sheet, with strong corrosion resistance.
- Powerful centralized control and remote control is available for convenient operation and maintenance.
- Automatic and forced defrosting function.



LAS21-KP



LAS35-KP - LAS52-KP

Technical Parameters

Model	LS04-IMN1-S4C6	LS05-IMN1-S4C6
Performance condition: Air: 27°C / Water: 27°C / Humidity: 80%		
Heating capacity (kW)	1.5-4.5	2.0-5.6
Heating capacity (BTU)	15360	18780
COP	13.1-5.2	13.1-6.0
Average COP at 50% Speed	8.6	9.5
Performance condition: Air: 15°C / Water: 26°C / Humidity: 70%		
Heating capacity (kW)	1.1-3.2	1.5-3.9
Heating capacity (BTU)	10750	13450
COP	7.7-4.2	7.4-4.0
Average COP at 50% Speed	6.0	6.7
Technical specifications		
Advised pool volume (m ³)*	5~20	8~25
Operating air temperature (°C)	5°C-43°C	
Power supply	220-240V / 1Ph / 50Hz	
Heat exchanger	Spiral titanium tube in PVC	
Compressor	Twin-rotary DC inverter	
Refrigerant	R32	
Casing	Galvanized steel	
Rated input power (kW)	0.12-0.87	0.15-0.93
Input power at 50% Speed (kW)	0.3	0.35
Rated input current (A)	0.5-3.8	0.6-4.1
Maximum input current (A)	5	5.4
Power cord (mm ²)	3x1.0	
Fan speed (rpm)	850-900	
Sound level at 1m dB(A)	48~52.5	
Sound level by 50% speed 1m dB(A)	50	
Sound level at 10m dB(A)	22~32.5	22~33.5
Advised water flow (m ³ /h)	1~2.5	2~3.5
Protection level	IPX4	
Water connection (mm)	32/38	
Water pressure drop (kPa)	15	
R32 Net weight (g)	350	400
Gross weight (kg)	27	28
Net weight (kg)	25	26
Net dimension LxWxH (mm)	440x330x486	
Packing Size (mm)	520x350x490	
Qty per 20'FT / 40'HQ (sets)	264/660	

Remarks:

- The above data will be subject to change without further notice, please refer to the nameplate on the unit.
- Advised pool volume applies to a private pool with an isothermal cover, from April to September.



Evaporator:

- With large surface for big air flow and good heat absorption.
- With great corrosion and heat resistance, COP is stable.



Intelligent and high efficient control system:

- Automatic electric control system with a touch display, the operation and settings are more easy and convenient.
- The control panel adopts advanced SMT technology and ST micro-computer chip, with stable & reliable performance and powerful functions.



Dual coil Titanium heat exchanger:

- Enlarges the heat exchanging surface that increases efficiency by providing an sufficient action area.
- Effectively resists the corrosion of chloride in water.



International standard compressor:

- International famous brand compressor with precise energy stage settings ensures the working unit to achieve the desired energy saving effect.



Electric expansion valve:

- Automatically adjust the refrigerant flow rate, ensuring the units operate with high efficiency in all weather conditions.



Technical parameters

Model		LAS21-KP	LAS35-KP	LAS42-KP	LAS52-KP	LAS70-KP	LAS85-KP	LAS105-KP
A24/W26 condition	Heating capacity (kW)	28.3	45.5	56.2	68.1	91.0	109.1	132.4
	COP	6.63	6.66	6.72	6.77	6.66	6.69	6.73
A20/W26 condition	Heating capacity (kW)	25.0	40.2	49.6	60.2	80.4	96.4	117.1
	COP	5.97	6.00	6.05	6.08	6.00	6.03	6.01
A7/W26 condition	Heating capacity (kW)	18.4	30.6	37.9	45.8	61.2	73.6	89.1
	COP	4.50	4.57	4.62	4.63	4.57	4.60	4.57
Cooling condition (35°C)	Cooling capacity (kW)	15.4	26.8	33.2	40.1	53.6	64.4	78.1
	EER	3.44	3.45	3.49	3.50	3.45	3.47	3.46
Power supply		380V/3N/50Hz						
Rated input power (kW)		4.2	6.7	8.2	9.9	13.4	16.0	19.5
Rated input current (A)		7.5	12.0	14.3	17.7	23.9	28.6	34.8
Maximum input power (kW)		7.1	11.8	14.2	16.5	23.6	28.4	33.0
Maximum input current (A)		11.9	19.8	23.8	27.7	39.6	47.6	55.4
Maximum outlet water temperature (°C)		40						
Grade of waterproof		IPX4						
Anti-shock type		I						
Operating air temperature (°C)		-5°C ~ 43°C						
Heat exchanger		PVC+Titanium						
Maximum pressure (MPa)		4.2						
Refrigerant		R410A						
Noise Level dB(A)		≤65	≤68	≤68	≤68	≤70	≤70	≤70
Water inlet/outlet size		DN40(Internal)	DN40(Internal)	DN40(Internal)	DN50(Internal)	DN50(Internal)	DN65(Internal)	DN65(Internal)
Circulating water flow rate (m³/h)		6	10	12	15	20	25	30
Water pressure drop (kPa)		47	48	50	50	51	53	55
Net weight (kg)		140	260	280	300	460	520	560
Dimensions	Length (mm)	745	1425	1425	1425	2250	2250	2250
	Width (mm)	745	745	745	745	1035	1035	1035
	Height (mm)	1100	1100	1100	1100	1210	1210	1210

Remarks :

- A24/W26 Standard heating condition: 24°C DB, 19°C WB, inlet water temperature 26°C;
- A20/W26 Standard heating condition: 20°C DB, 15°C WB, inlet water temperature 26°C;
- A7/W26 condition: 7°C DB, 6°C WB, inlet water temperature 26°C;
- Cooling condition: 35°C DB, 27°C WB, inlet water temperature 28°C;
- Due to the continuous improvement of products, the actual data will be subject to change without prior notice, please refer to the nameplate.

FULL DC INVERTER COMMERCIAL SWIMMING POOL HEAT PUMP

LASWIM full DC inverter commercial heat pump for swimming pool utilizes advanced inverter technology. By precisely adjusting the fan and compressor's operating speed, it can adjust the output according to actual demand. While achieving energy-saving constant temperature, it is quieter and smarter.

This heat pump is specially optimized for low-temperature environments and can operate efficiently at a low ambient temperature of -20°C, making it an ideal choice for maintaining constant water temperature in various locations, such as swimming pools, hot spring resorts, and water parks.

Features:

- Full DC inverter technology, providing more energy-efficient and effective pool heating.
- Intelligent operation modes with various settings, offering 30% more heat compared to traditional on/off heat pump.
- Operates in silent mode during late nights, ensuring a quiet environment .
- Large LED screen for easy status checking.
- Environmentally friendly R410A refrigerant.
- Optimal performance options available for large scale pools.
- Automatic fast defrosting through cyclic inverter operation.
- Remote control via smart phone app (free).
- Refrigerant throttling for stable high efficiency.
- Intelligent detection, control, and anti-freeze protection.



LAS35-KP-BPL(RaA), LAS52-KP-BPL(RaA)

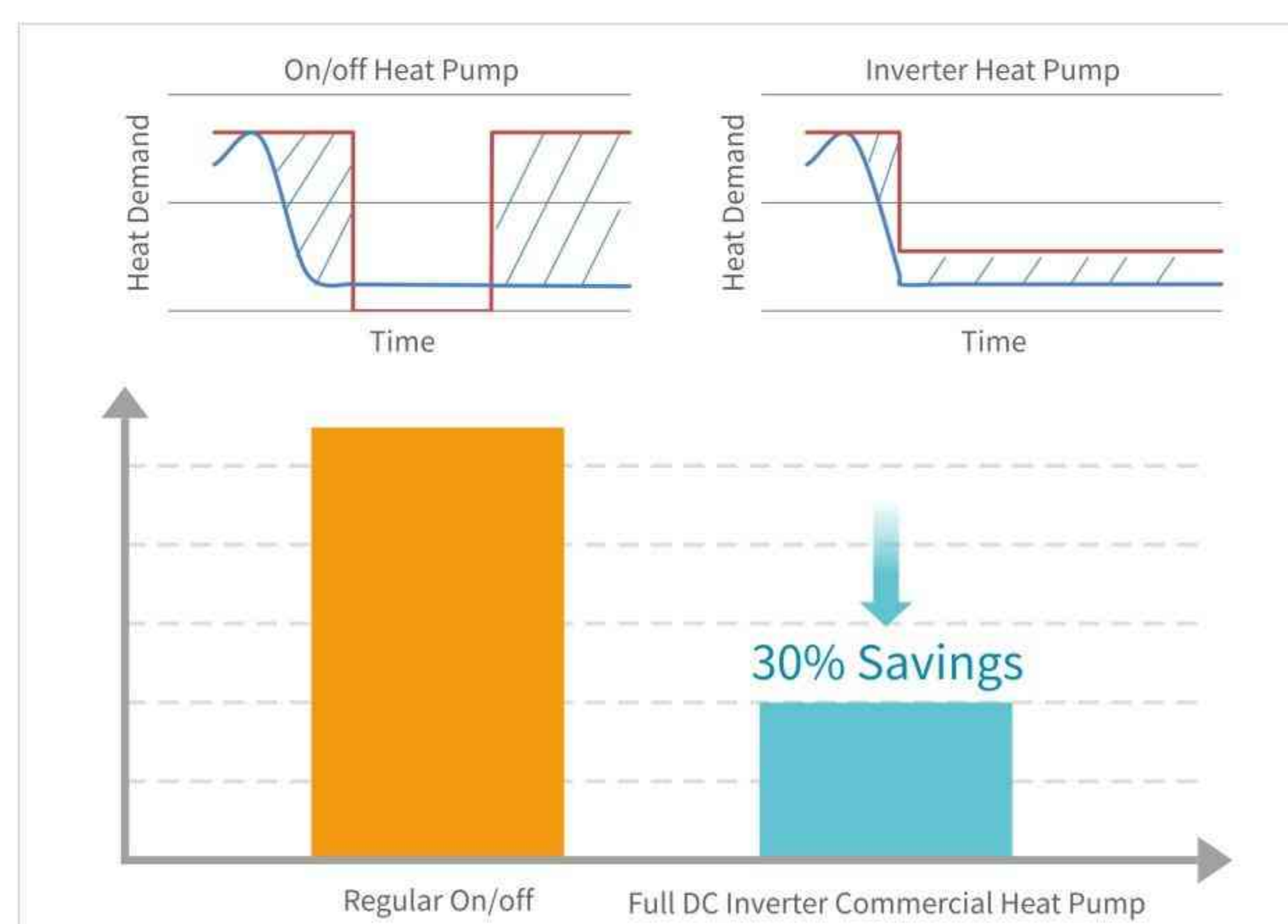


LAS70-KP-BPL(RaA), LAS105-KP-BPL(RaA)



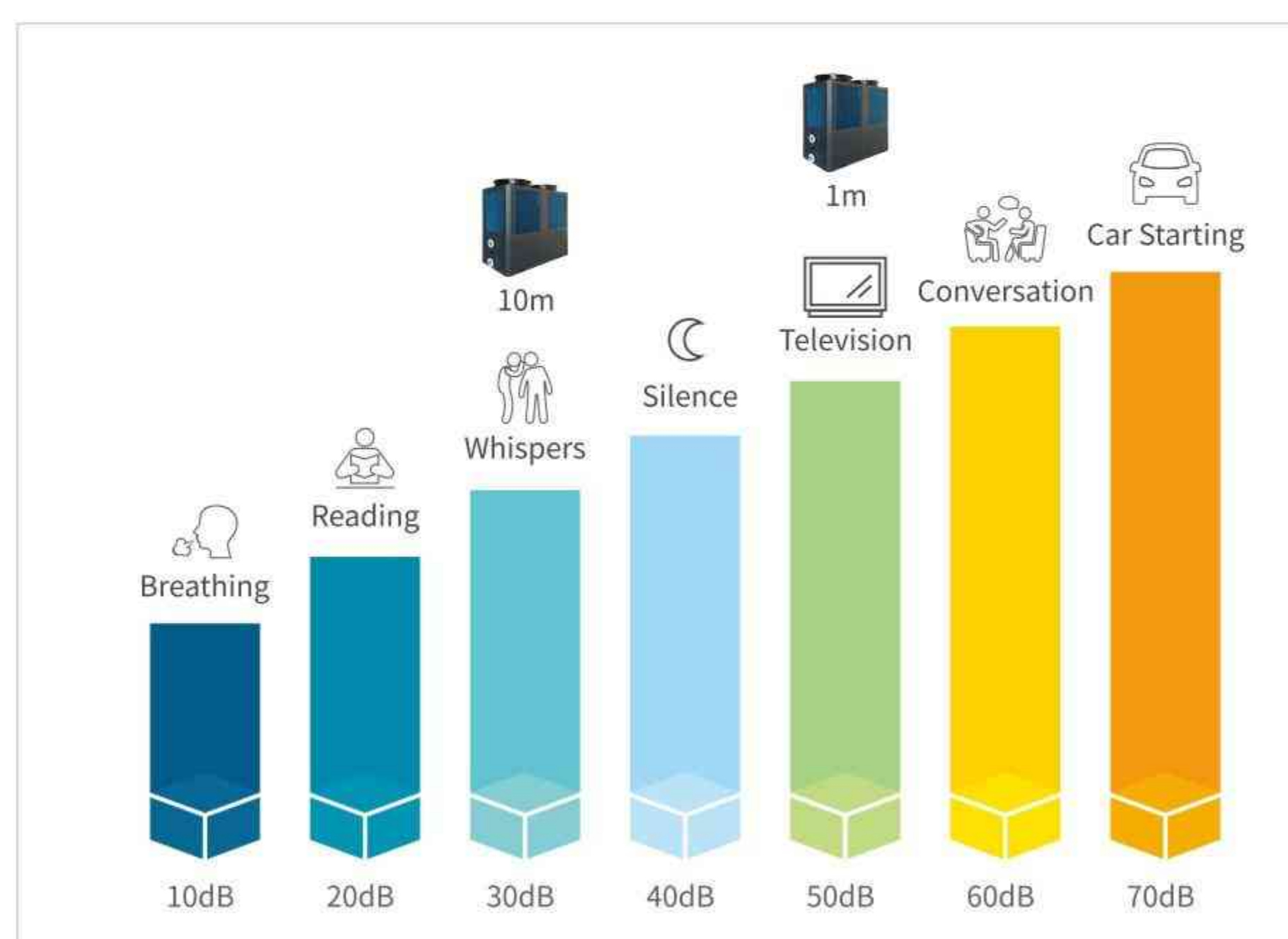
• Full DC Inverter Energy Saving Technology

During the initial heating phase, the inverter heat pump operates at high speed to warm up the pool quickly. During the swimming season, it operates at a lower speed when maintaining a constant water temperature, ensuring more stable operation without the need for frequent starts and stops, thereby achieving efficient energy savings.



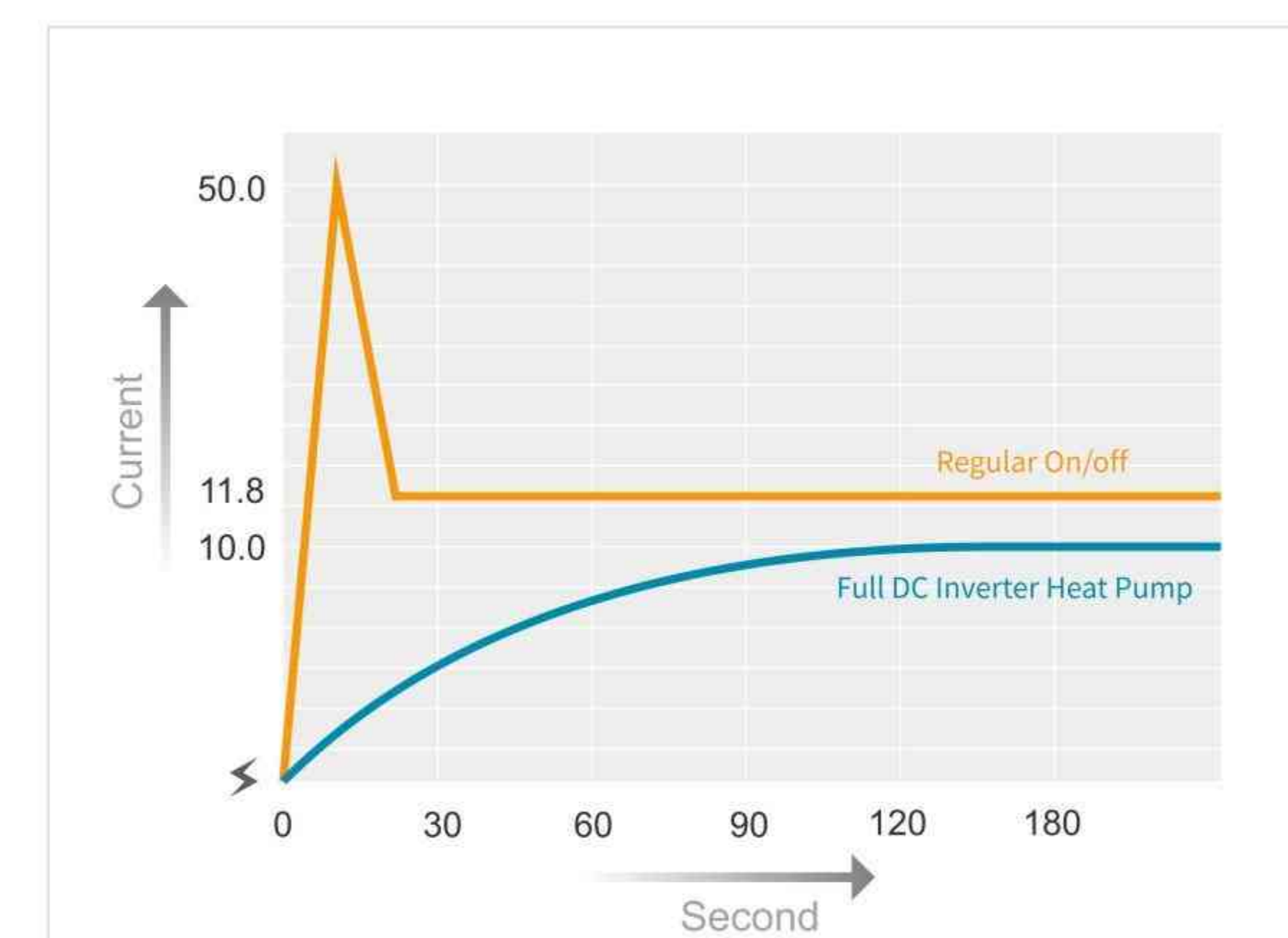
• Ultra-quiet Operation

Adopts specially designed fan blades, not only saves energy, but also helps reduce operational noise by 20%. Noise level at 1 meter is similar to TV , and noise level at 10 meters is equivalent to human whispers.



• Soft Start

During startup, its soft start technology prevents sudden power fluctuations, thereby protecting the circuit.



• Wide Climate Application

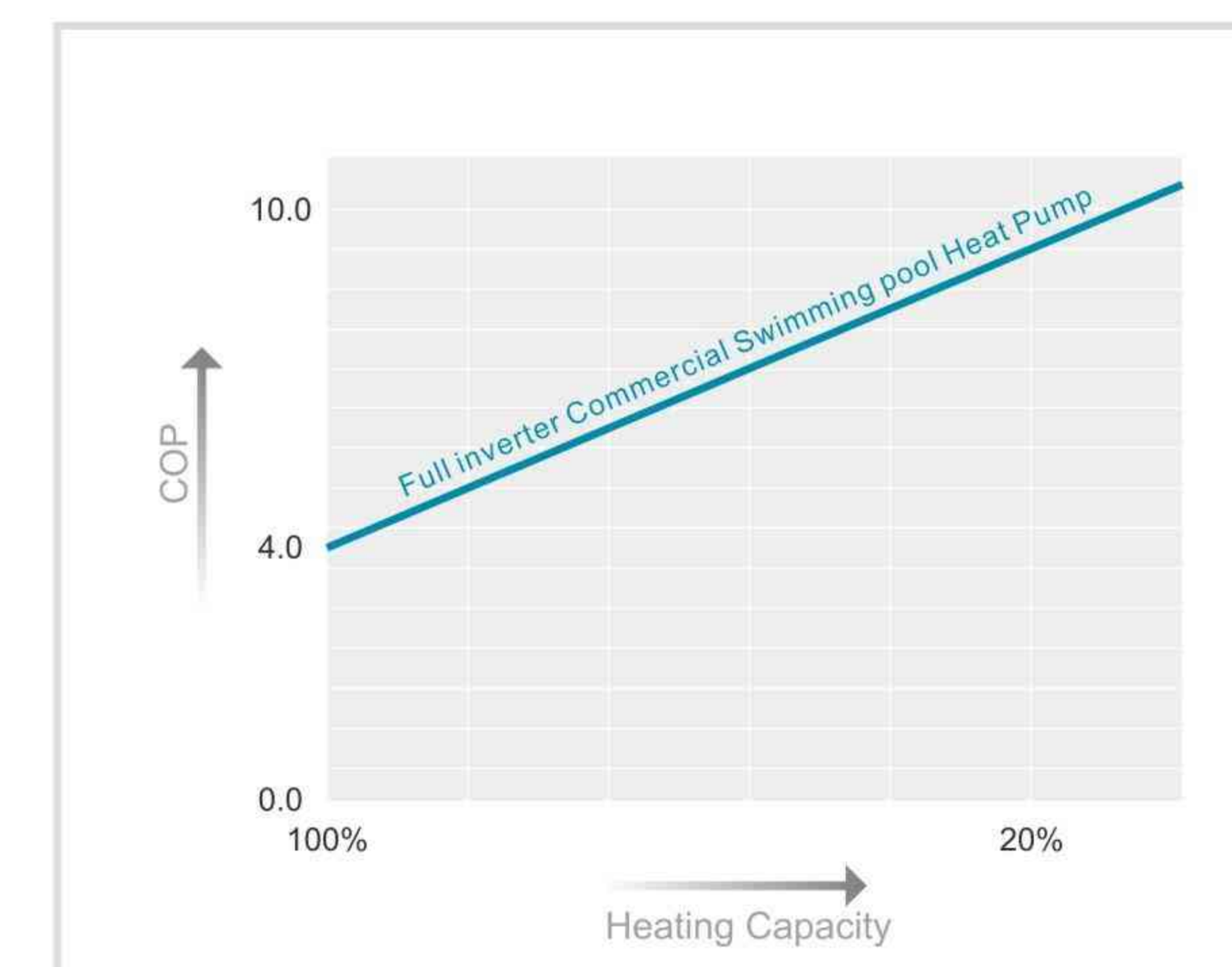
It can adapt to a wide range of climates, maintaining stable operation from -20°C to 43°C.



High-Quality Components

• Imported Brand Inverter Compressor

Equipped with multiple inverter compressors and optimized operation, this series of inverter heat pumps has a COP of up to 10 and significantly reduced noise levels.



• High-Quality Variable Frequency Fan

High-performance DC inverter fan with a compact integrated design, facilitating maintenance, reducing noise, and enhancing performance.

• Extra-large Finned Condenser

Adopting anti-frost coating fins and corrugated edge spoiler, which further enhances the effect of the spoiler on the strong wind side, improves the heat transfer coefficient, prolongs the frost-free operation time and improves the SCOP.

• Optimized Structure and Anti-corrosion Coated Sheet Metal

Special processing techniques are applied to the materials and surfaces, widely recognized for their corrosion resistance and quality in withstanding wind and rain.



Technical parameters

Model	LAS35-KP-BPL(RaA)	LAS52-KP-BPL(RaA)	LAS70-KP-BPL(RaA)	LAS105-KP-BPL(RaA)	
Performance conditions: Air: 20°C / Water: 26°C					
Max. Heating Capacity	kW 42.0(143300BTU)	52.3(178500BTU)	85.2(290700BTU)	105.0(358300BTU)	
Heating Capacity	kW 12.8-42.0	15.8-52.3	29.2-85.2	32.0-105.0	
COP	---- 9.7-5.1	9.6-5.1	9.6~5.0	9.8~5.2	
Average COP (50% operating speed)	---- 7.5	7.5	7.4	7.6	
Performance conditions: Air: 15°C / Water: 26°C					
Max. Heating Capacity	kW 37.5(128000BTU)	47.2(161100BTU)	72.0(245700BTU)	94.5(322500BTU)	
Heating Capacity	kW 13-37.5	15-47.2	26.3-72	27.7-94.5	
COP	COP 8.1-4.2	8.2-4.6	8.2-4.3	8.4-4.7	
Average COP (50% operating speed)	---- 6.1	6.3	6.2	6.5	
Performance conditions: Air: 7°C / Water: 26°C					
Max. Heating Capacity	kW 33.0(112600BTU)	40.9(139560BTU)	66.0(225200BTU)	80.0(272970BTU)	
Heating Capacity	kW 9.3-33	11-40.9	18.3-66	20.0-80.0	
COP	---- 5.02-3.45	5.3-3.61	5.02-3.45	6.0~4.0	
Average COP (50% operating speed)	---- 4.5	4.8	4.4	5.0	
Performance conditions: Air: -7°C / Water: 26°C					
Max. Heating Capacity	kW 20.5(69950BTU)	27.6(94200BTU)	40.5(138200BTU)	47.5(162080BTU)	
Heating Capacity	kW 6.5-20.5	7.1-27.6	12.8-40.5	13.5-47.5	
COP	---- 4.1-2.85	4.2-2.84	4.1-2.83	4.1-2.82	
Average COP (50% operating speed)	---- 3.6	3.5	3.6	3.5	
Performance conditions: Air: -12°C / Water: 26°C					
Max. Heating Capacity	kW 16.5(56300BTU)	24.6(83940BTU)	32.5(110900BTU)	40.5(138200BTU)	
Heating Capacity	kW 6.5-16.5	7.1-24.6	12.8-32.5	13.5-40.5	
COP	---- 3.9-2.52	3.9-2.54	3.9-2.58	3.9-2.51	
Average COP (50% operating speed)	---- 2.8	2.9	2.7	2.7	
Performance conditions: Air: -20°C / Water: 26°C					
Max. Heating Capacity	kW 13.5(46060BTU)	19.6(66900BTU)	27.8(94860BTU)	37.5(127960BTU)	
Heating Capacity	kW 5.2-13.5	6.5-19.6	10.5-27.8	11.6-37.5	
COP	---- 3.4-2.11	3.5-2.1	3.4-2.11	3.5-1.8	
Average COP (50% operating speed)	---- 2.5	2.6	2.6	2.5	
Operating Ambient Temperature	°C	-20°C-43°C			
Power Supply	----	380V/3N~/50Hz/60Hz			
Heat Exchanger	----	PVC+Titanium			
Compressor	----	Scroll Compressor			
Refrigerant	----	R410A			
Rated Input Power	kW 1.2-7.5	1.6-11.1	2.1-14.5	3.3-20.2	
50% Operating Speed Input Power	kW 2.8	3.5	5.8	10.1	
Rated Input Current	A 1.8-11.5	2.4-17.2	3.2-22.2	5.1-40.0	
Maximum Input Current	A 14.4	22.0	28.0	55.0	
Maximum Input Power	kW 9.4	14.3	18.2	25.0	
Waterproof rating	----	IPX4			
Electric Shock Protection	----	Class I			
Maximum System Pressure	MPa	4.2			
Recommended Power Cable	mm²	5×4.0	5×4.0	5×6.0	5×10.0
Fan Speed	rpm	450-1000	450-1000	450-1000	450-1000
Noise at 1m	dB(A)	55.0~64	56~65	55.0~64	56.8~65
1m Noise at 50% Operating Speed	dB(A)	53.9	56.6	58.5	60.5
Noise at 10m	dB(A)	26.5~50.2	27.5~51.2	28.5~52.2	29.5~53.2
Recommended Water Flow Rate	m³/h	12~18	15~23	25~36	30~45
Inlet/Outlet Size	mm	DN50 (Internal Thread Connection)	DN50 (Internal Thread Connection)	DN80 (Flange Connection)	DN80 (Flange Connection)
Water Pressure Drop	kPa	40	40	45	45
Net Weight	kg	260	290	450	580
Dimensions	mm	1550×520×1650	1550×520×1650	1950×1020×2130	1950×1020×2130

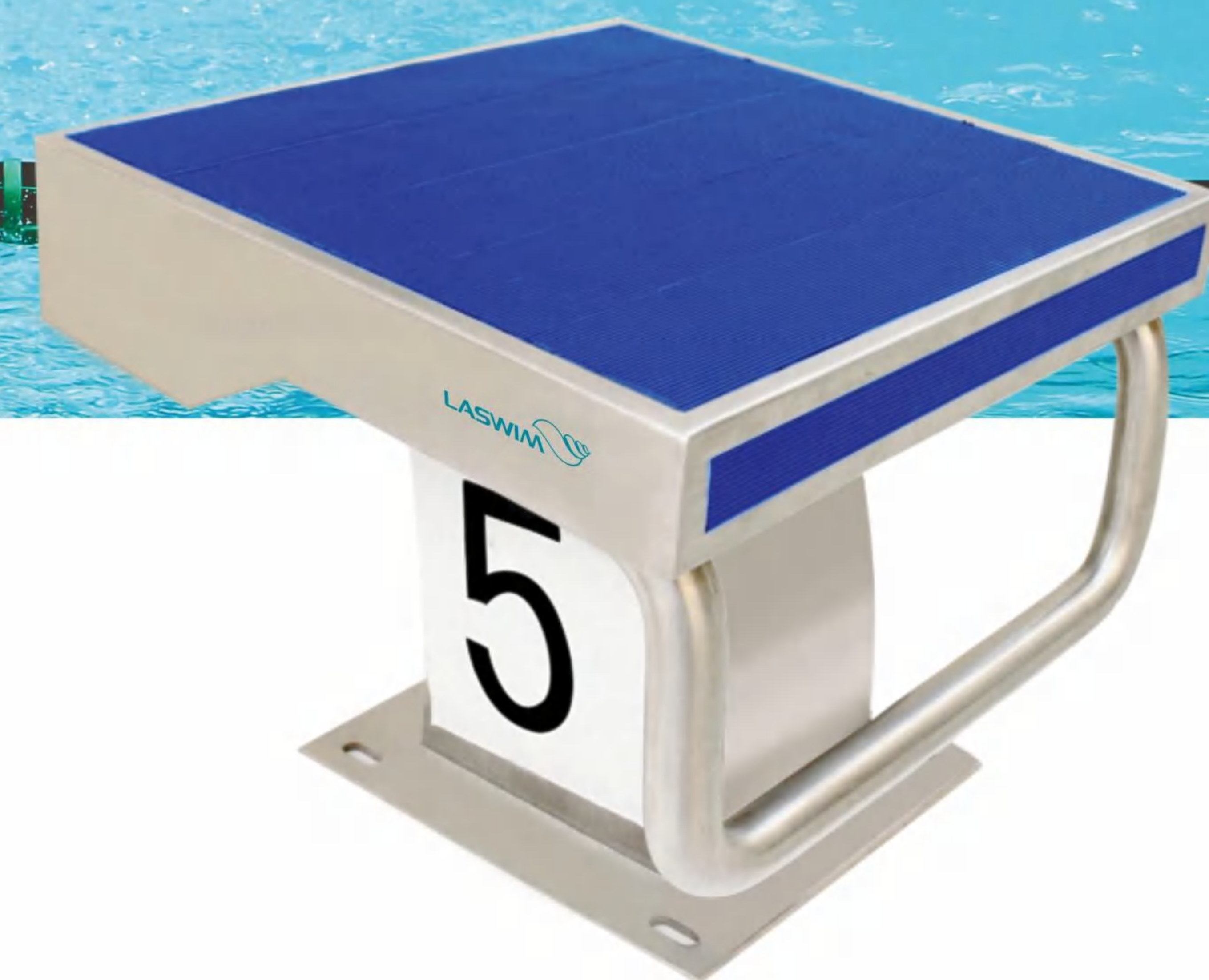
Note: The above data may be subject to change without further notice. Please refer to the nameplate parameters for the accurate information.



SMARTER WATER FOR A
SMARTER HOME

06

COMPETITION POOL EQUIPMENT



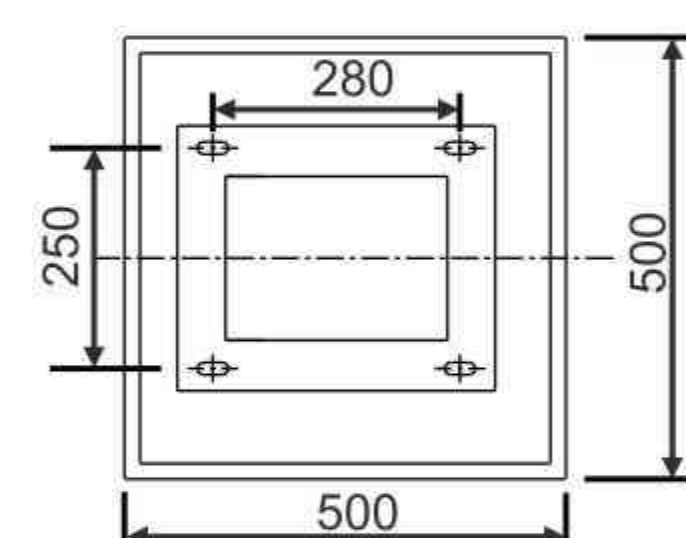
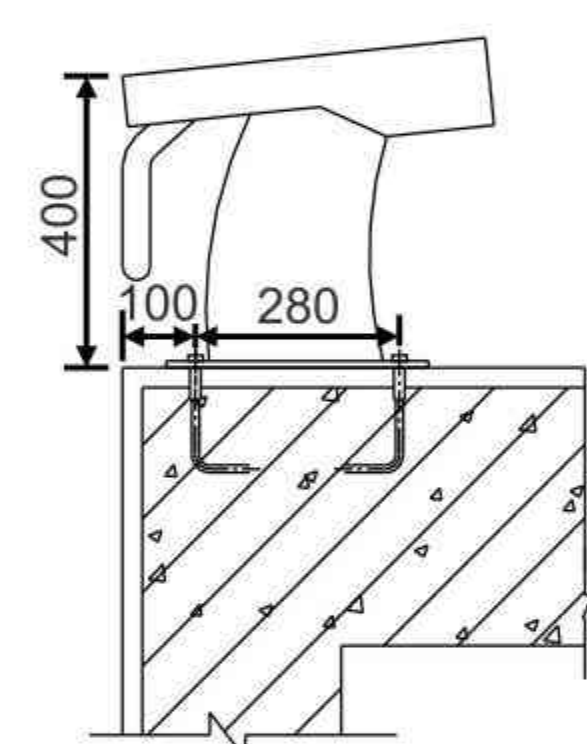
STARTING PLATFORMS

COMPETITION POOL EQUIPMENT

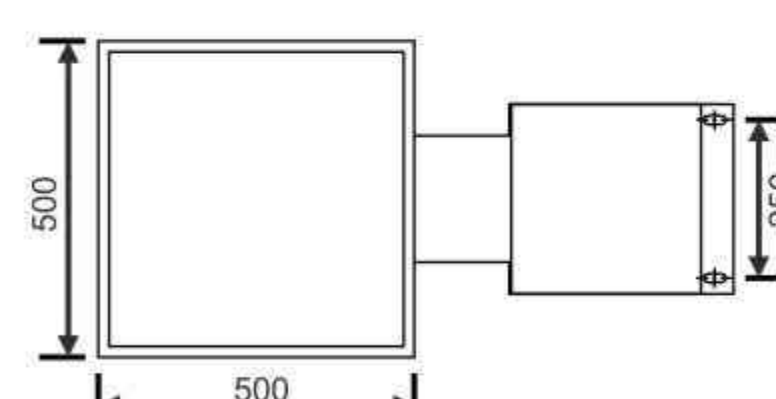
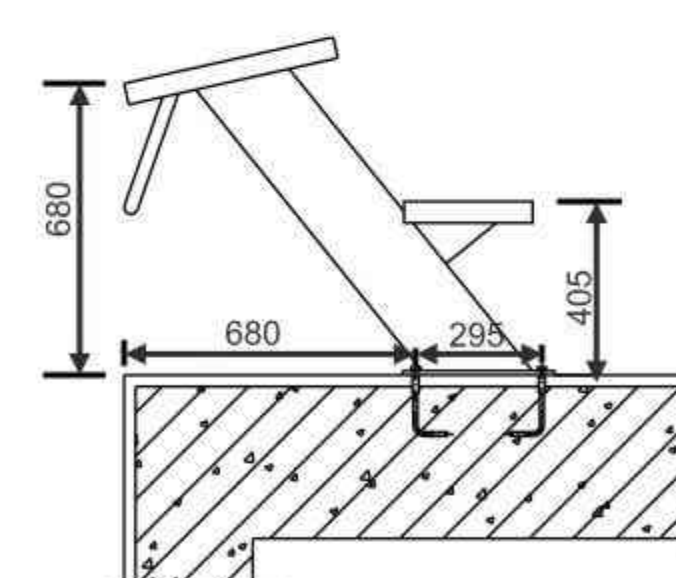
Universally acclaimed by coaches and competitive swimmers, this platform is graceful and functionally simplistic. The surface area is covered with non-slip material.



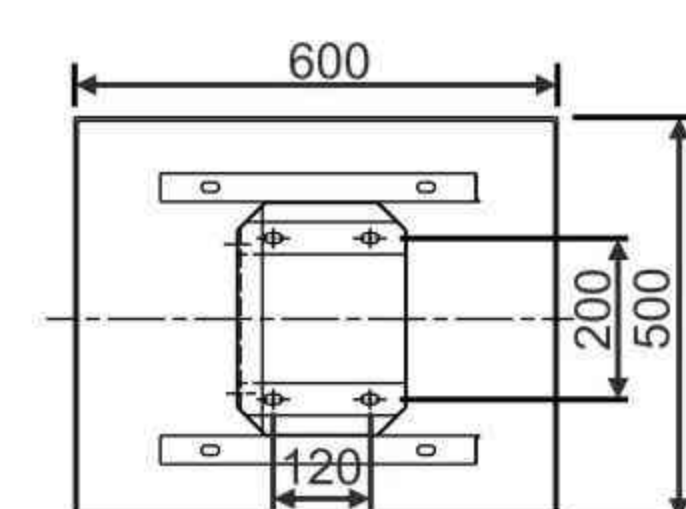
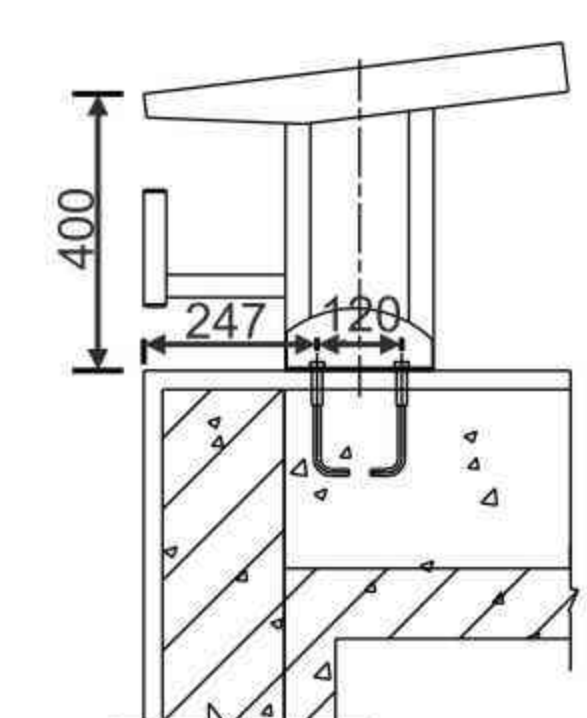
WL-ACF01 Standard Starting Platform



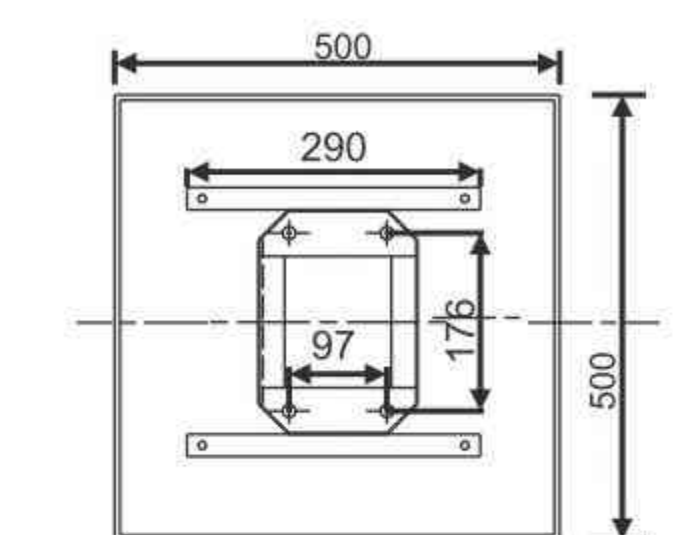
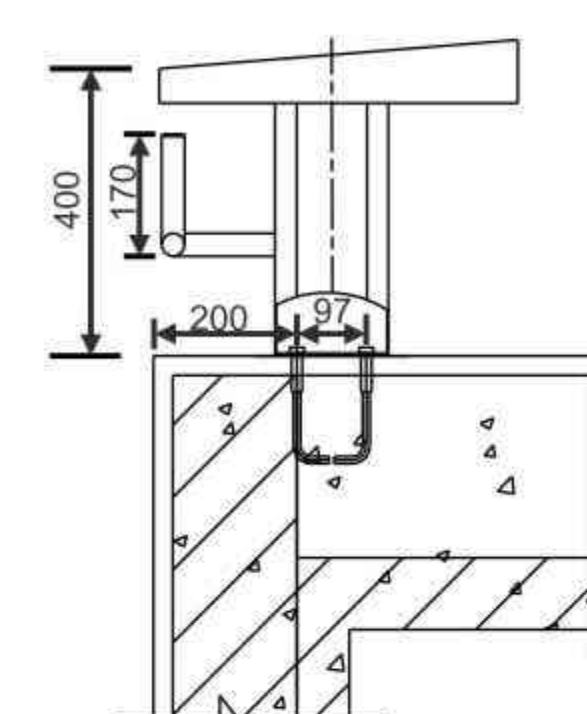
WL-ACF02 SS Two Steps Starting Platform



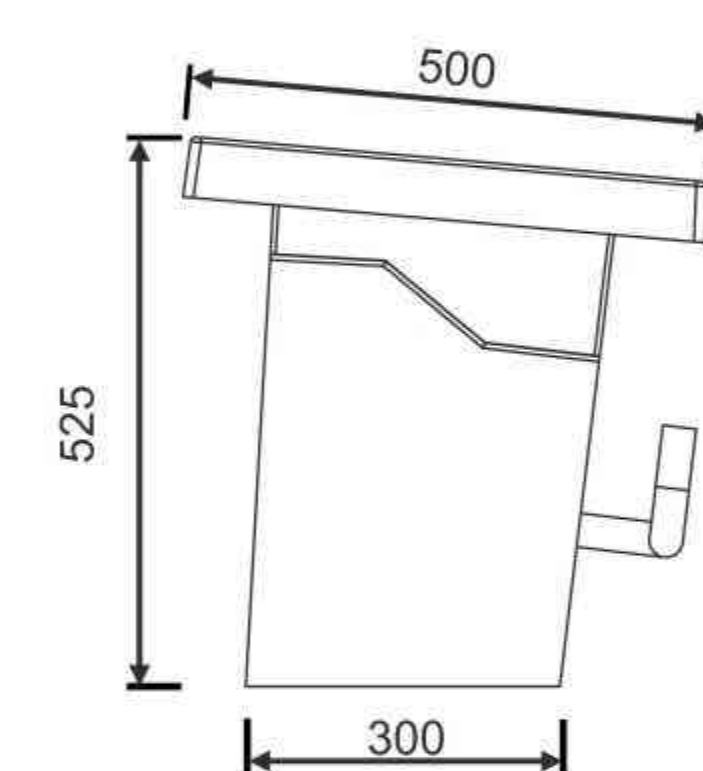
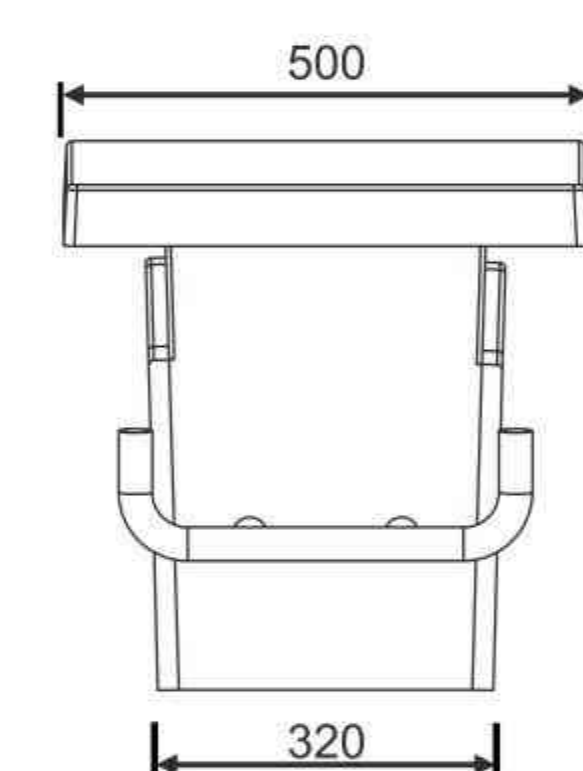
WL-BCF01 Standard Starting Platform



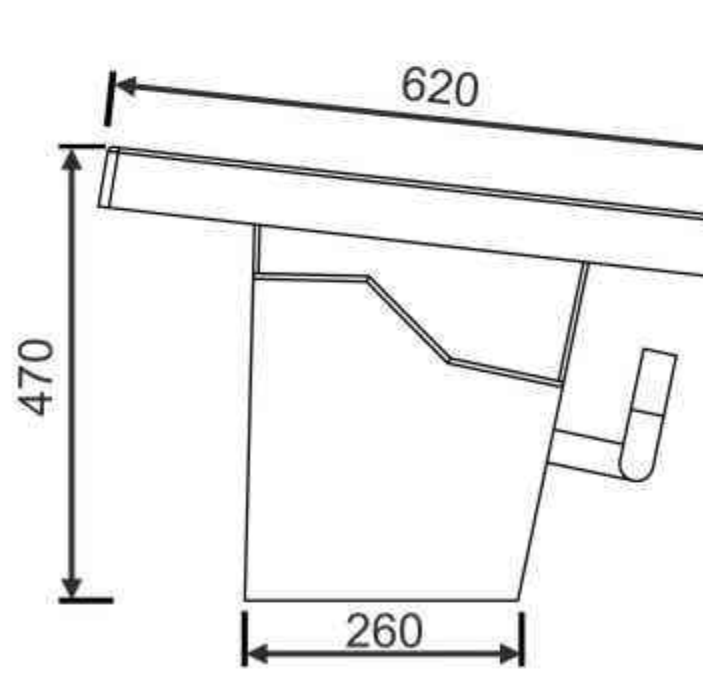
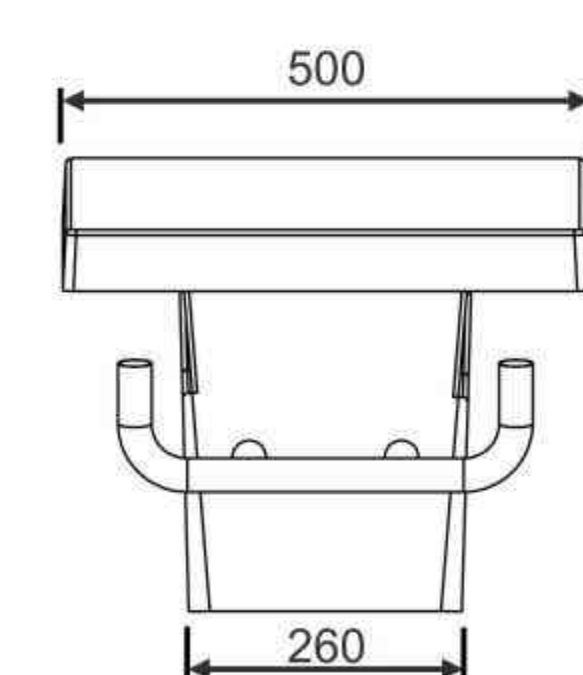
WL-BCF02 Standard Starting Platform



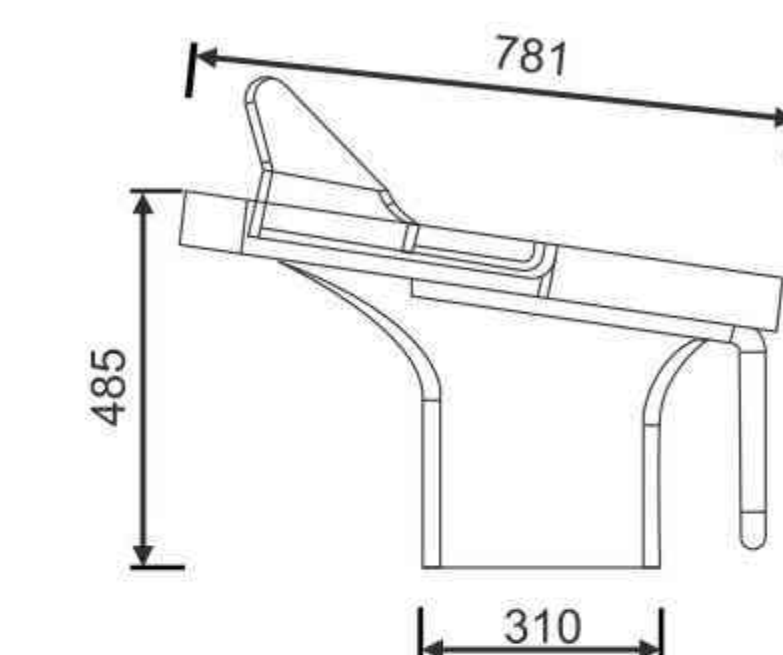
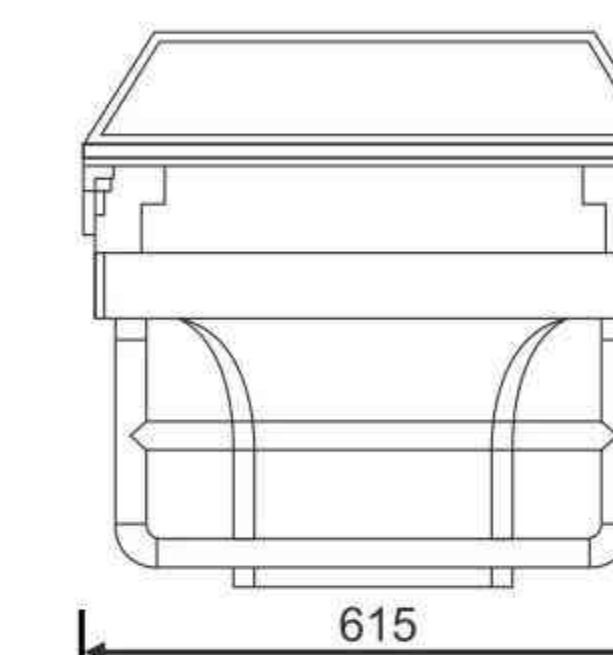
WL-ACF05 Standard Starting Platform



WL-ACF06 Standard Starting Platform



WL-ACF07 Standard Starting Platform

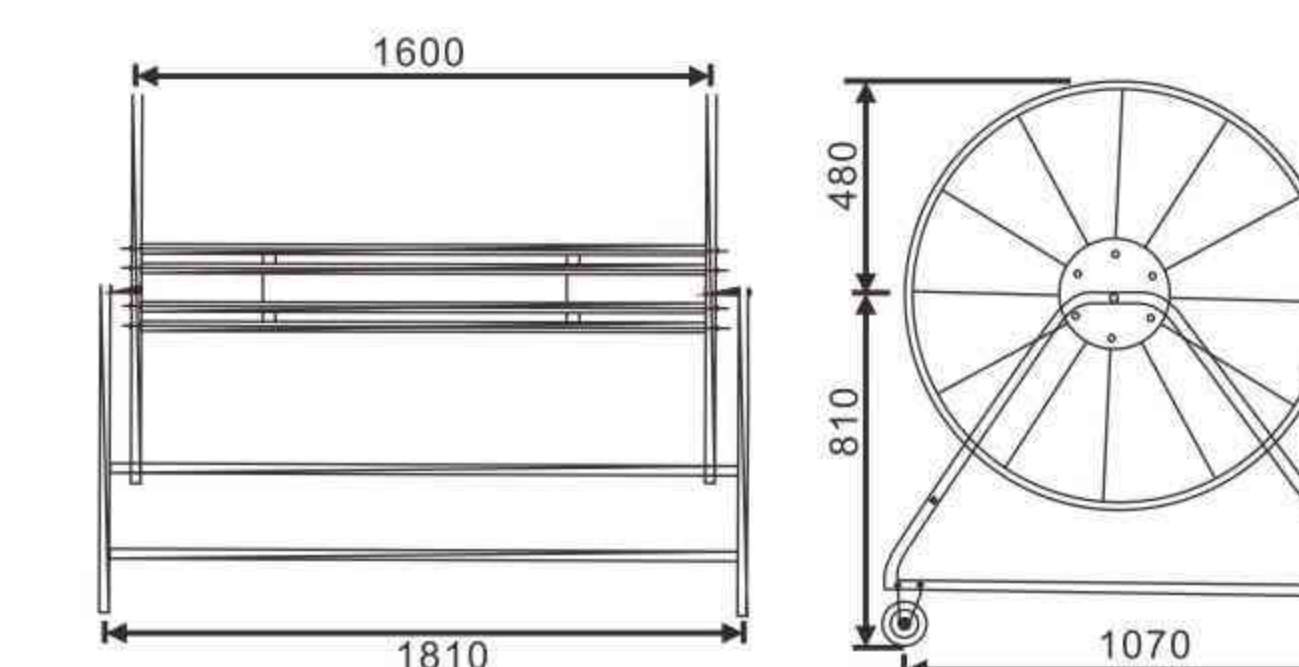


WL-AJX01

STORAGE REEL

COMPETITION POOL EQUIPMENT

Made of stainless steel, provided with a large diameter wheel for line collection, mounted on 2 wheels for moving around. It is very strong and durable. Holds one 50m or two 25m lanes. Maintenance free. It is ideal lane reel for commercial and institutional pools.



WL-BYD101, BYD102

RACING LANE LINE

Racing Lane's flow-through design controls water turbulence by allowing wave energy to be dispersed along the length of the lane, creating the optimum environment for the fastest swim times.

Each lane consists of a series of $\phi 120$ or $\phi 150$ mm polyethylene disks and donuts strung on a stainless steel cable. Each of these disks is designed to rotate independently of the others, thereby allowing the wave energy to be absorbed and dispersed along the channel within the lane. Competitor lanes come completely assembled.

Standard Colors - Red, White, Blue, Yellow, Green.



WL-BYD301, BYD302

Model	Specification
WL-BYD101	$\phi 150 \times 25m$
WL-BYD102	$\phi 150 \times 50m$
WL-BYD301	$\phi 120 \times 25m$
WL-BYD302	$\phi 120 \times 50m$

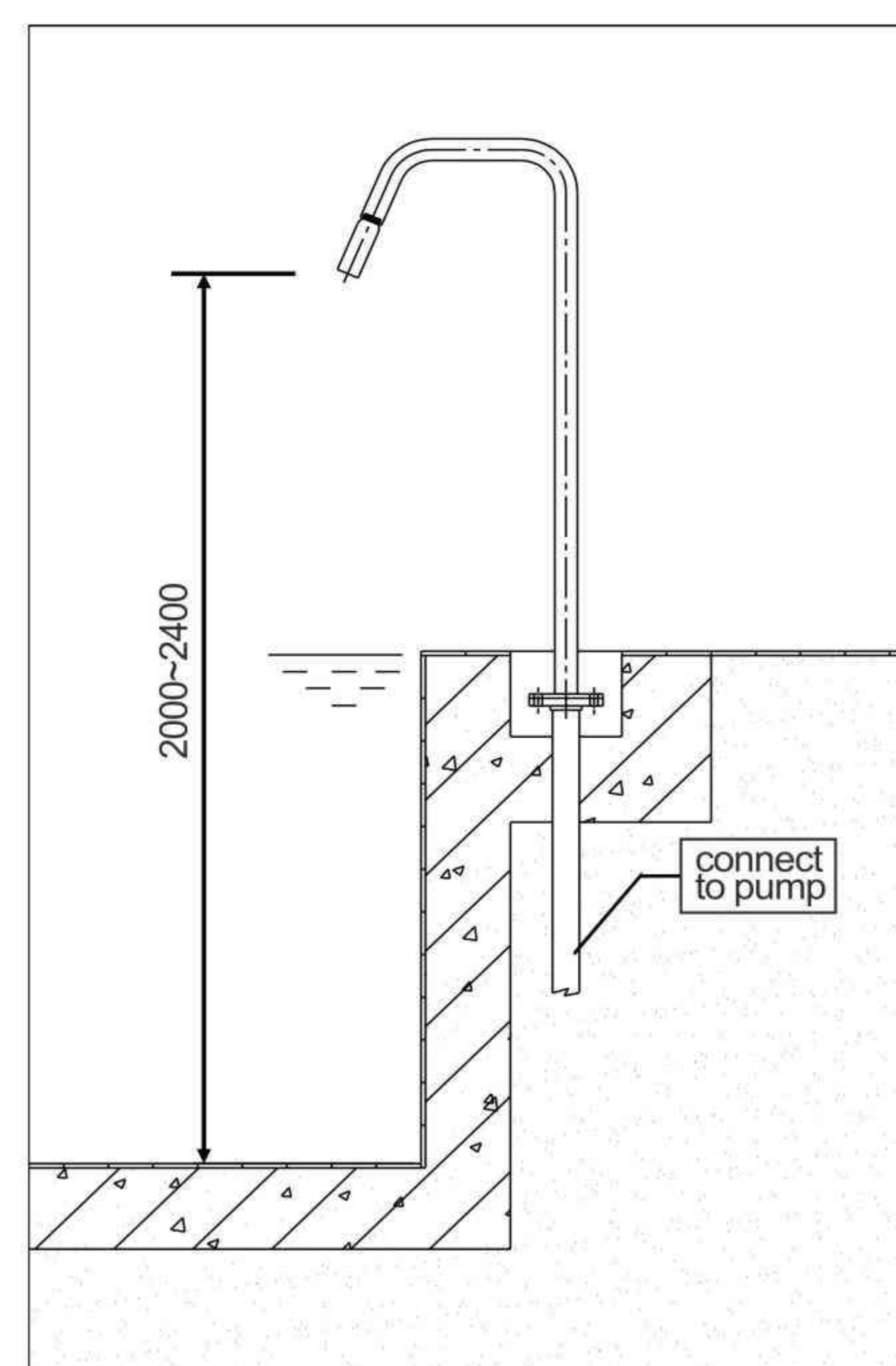
SMARTER WATER FOR A
SMARTER HOME

07

HYDROTHERAPY EQUIPMENT



STAINLESS STEEL SUPPORT FOR JET HYDROTHERAPY EQUIPMENT



(Φ51mm O.Dx1.5mm Wall)

Model	Dia.	Height (mm)
WT-S01	Φ51	1430
WT-S02	Φ51	1630
WT-S03	Φ51	1830
WT-S04	Φ51	2030



WL-WQ101



WL-WQ201



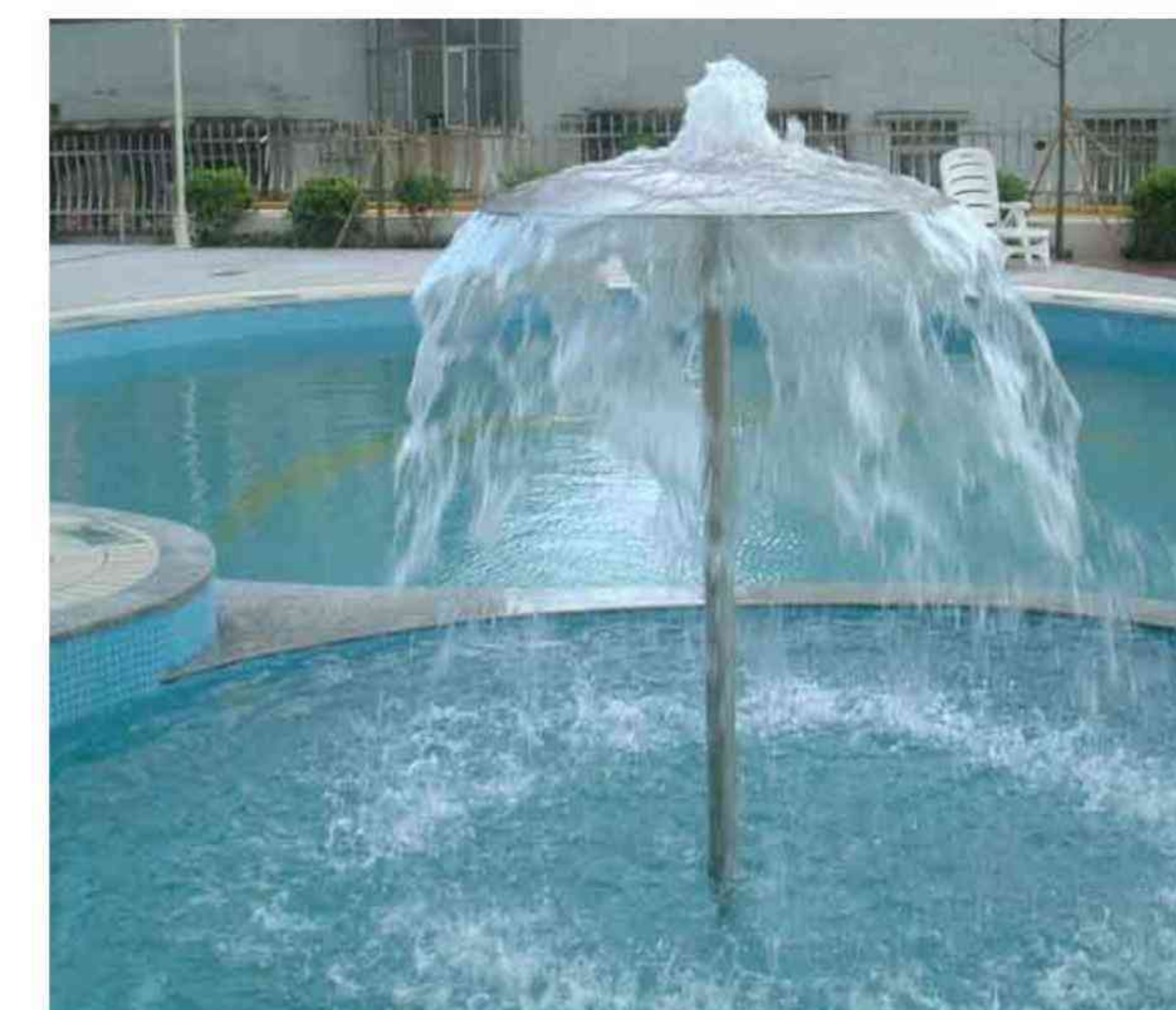
Model	Material	Length(mm)	Width(mm)
WL-WQ101	Stainless steel	980	220
WL-WQ201	Stainless steel	2000	200

UMBRELLA HYDROTHERAPY EQUIPMENT



MUSHROOM

Name	Model	Material	Diameter (mm)	Knighthead Height (mm)
Model I	WL-C401	Stainless steel	1200	2000



UMBRELLA

Name	Model	Material	Diameter (mm)	Height (mm)
Umbrella	WL-C501	Stainless steel	1200	2000



GOBLET

Name	Model	Diameter (mm)	(H/Knighthead) (mm)
Goblet	WL-C601	1400	2000



Model I

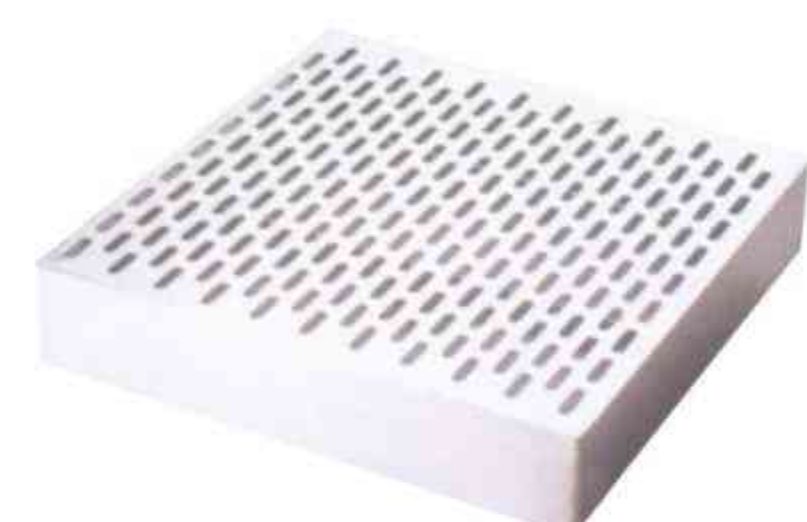
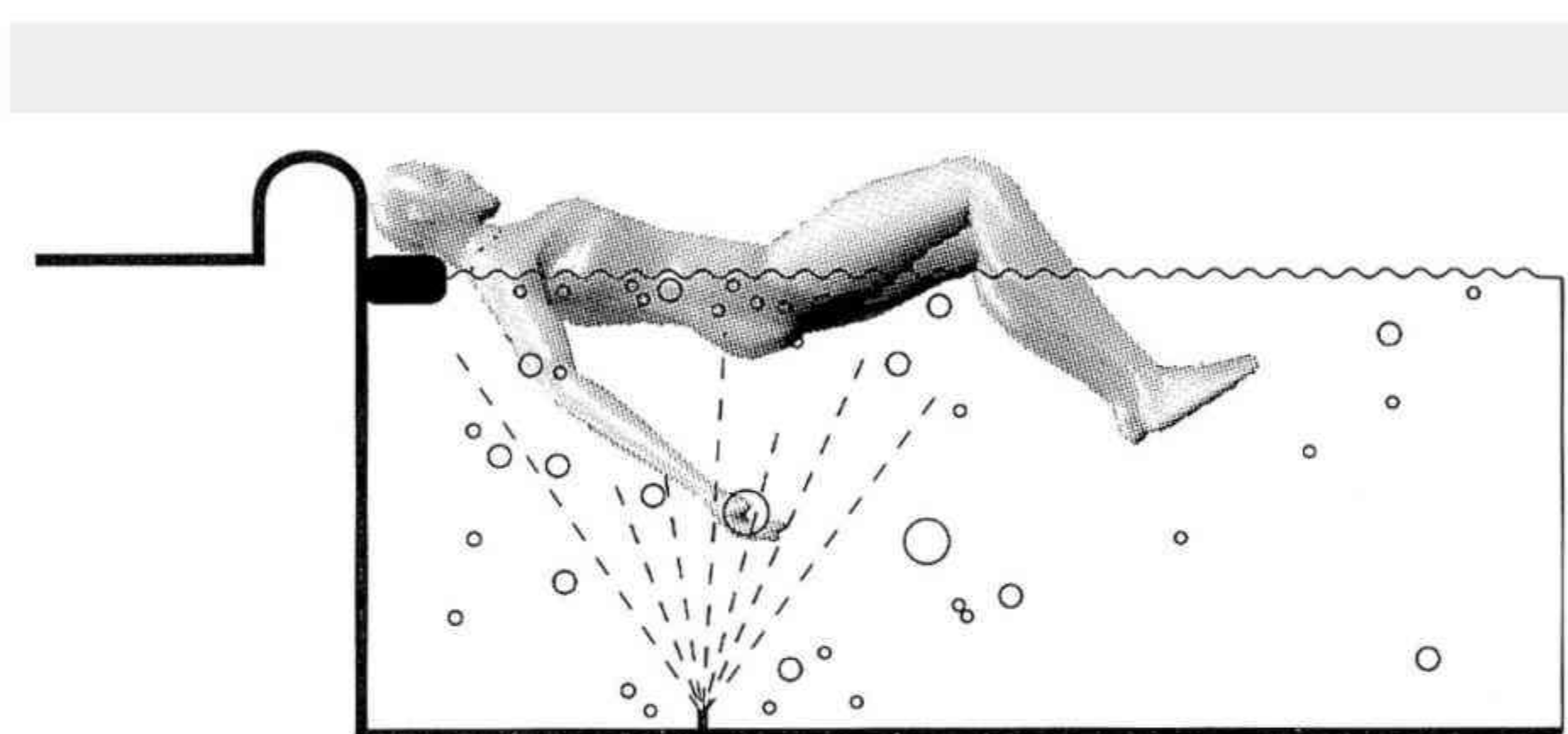


Model II

WATERFALL

Name	Model	Material	Width (mm)	Height (mm)
Model I	WL-C301	Stainless steel	500	1100
Model II	WL-C302	Stainless steel	500	900

FLOAT HYDROTHERAPY EQUIPMENT



Float box

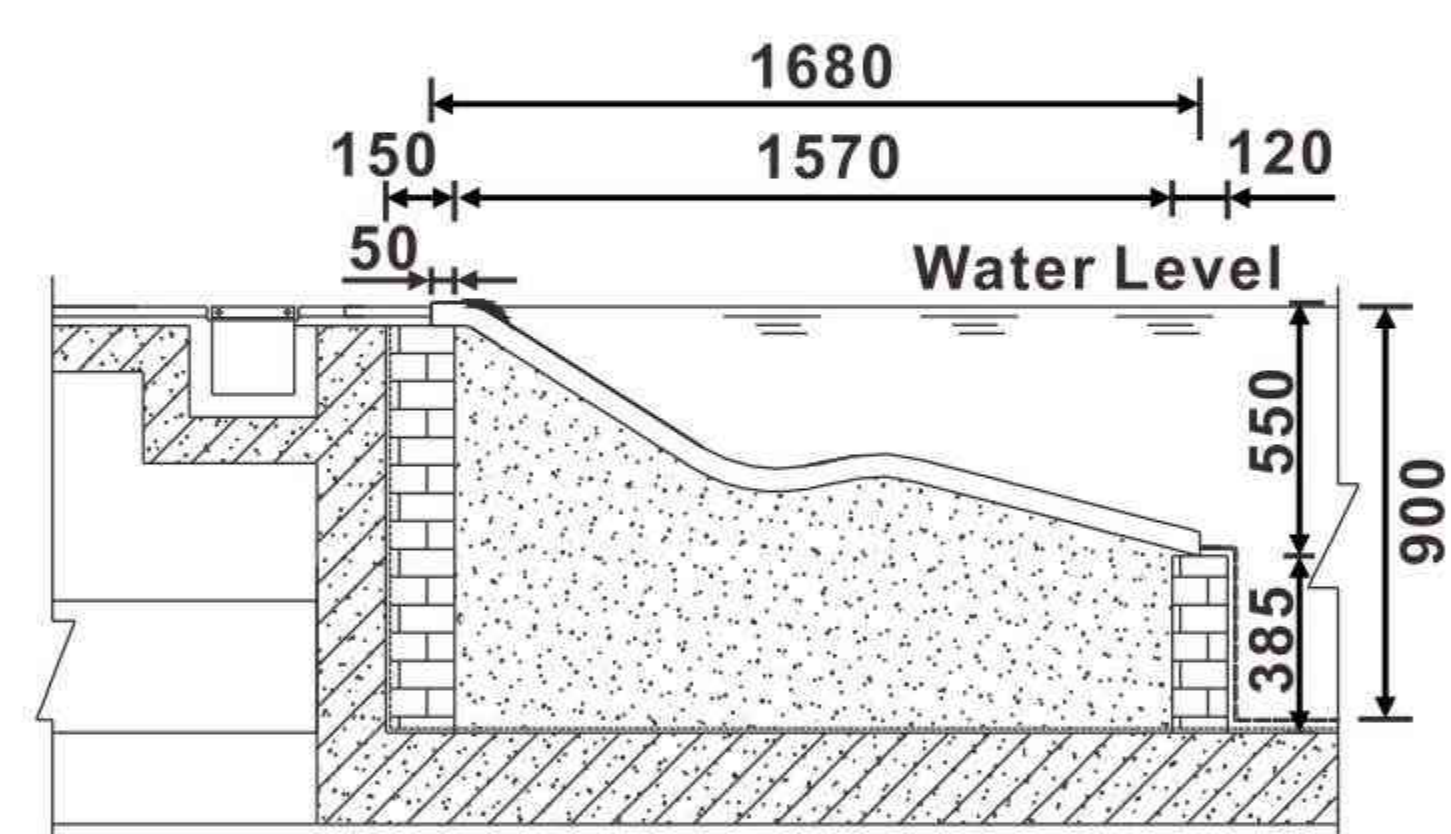
Name	Model	Material	length x width (mm)	Height (mm)
Float box	WL-B301	Stainless steel	400x400	70



Air bubble box

Name	Model	Material	Diameter (mm)	Height (mm)
Air bubble box	WL-B201	Stainless steel	280	100
	WL-B202	Stainless steel	350	80

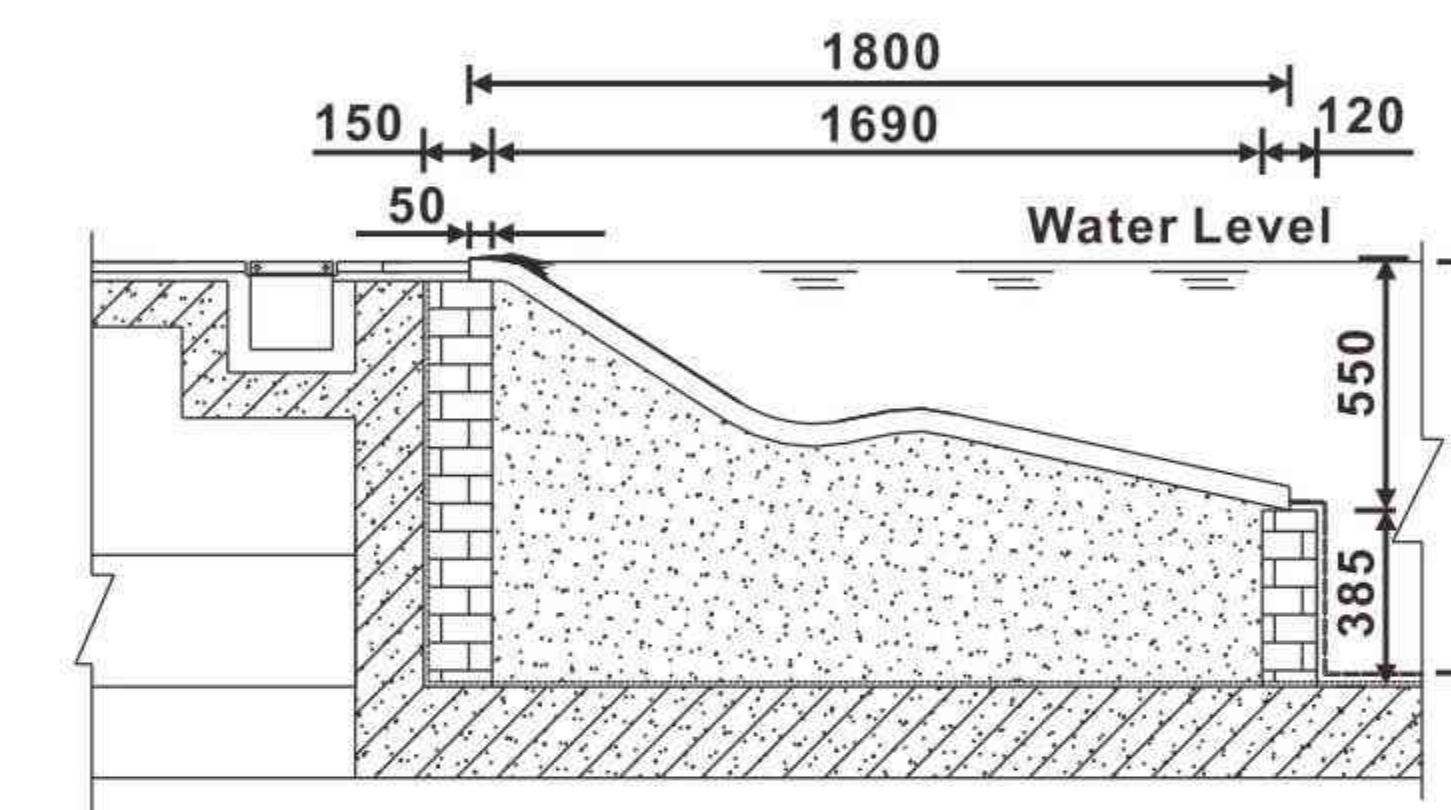
SPA BED



WL-SC101

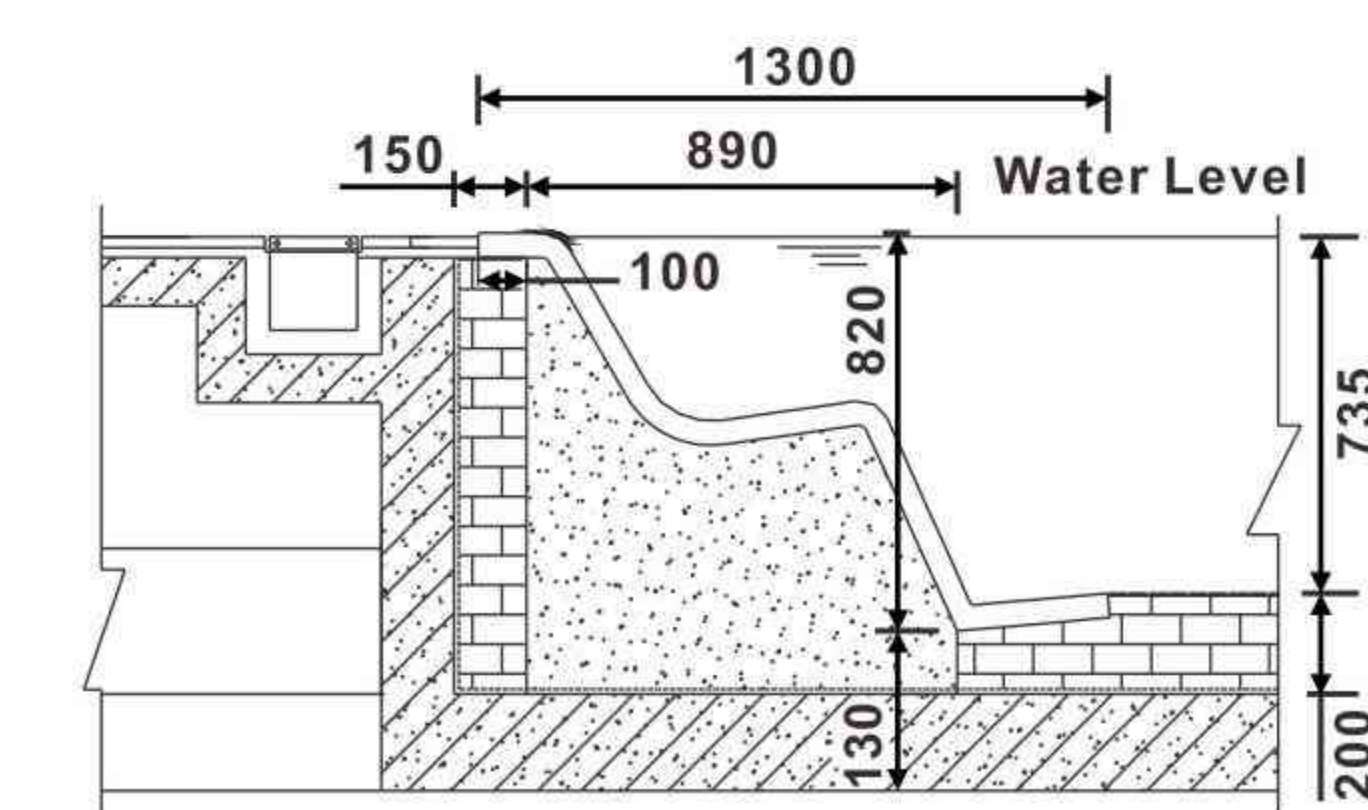
Model	Material	Length(mm)	Width(mm)
WL-SC101	Acryl	1680	600

SPA BED HYDROTHERAPY EQUIPMENT



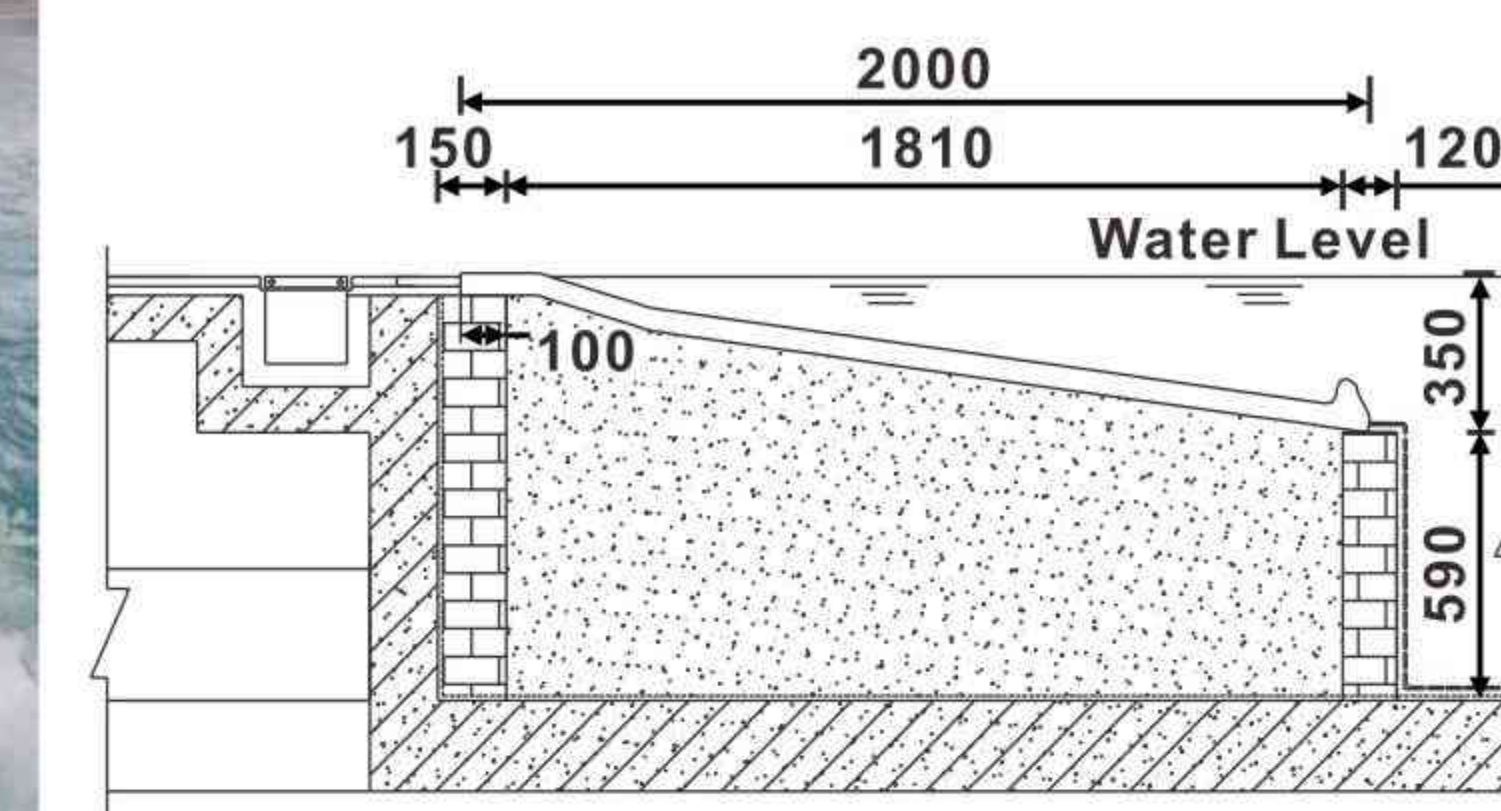
WL-SC201

Model	Material	Length(mm)	Width(mm)
WL-SC201	Acryl	1800	750



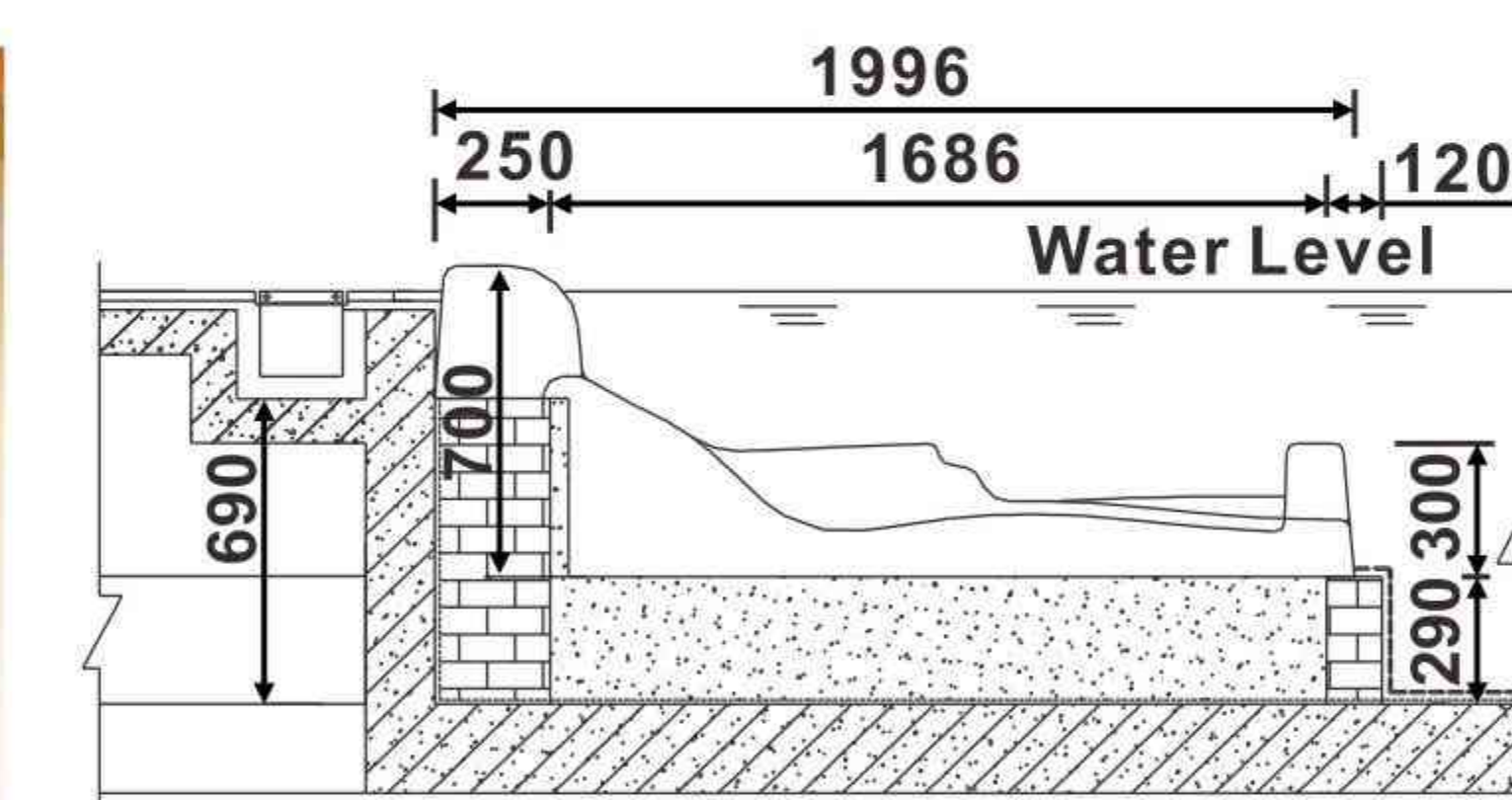
WL-SC301

Model	Material	Length(mm)	Width(mm)
WL-SC301	Acryl	1300	700



WL-SC401

Model	Material	Length(mm)	Width(mm)
WL-SC401	Acryl	2000	725



WL-SC501

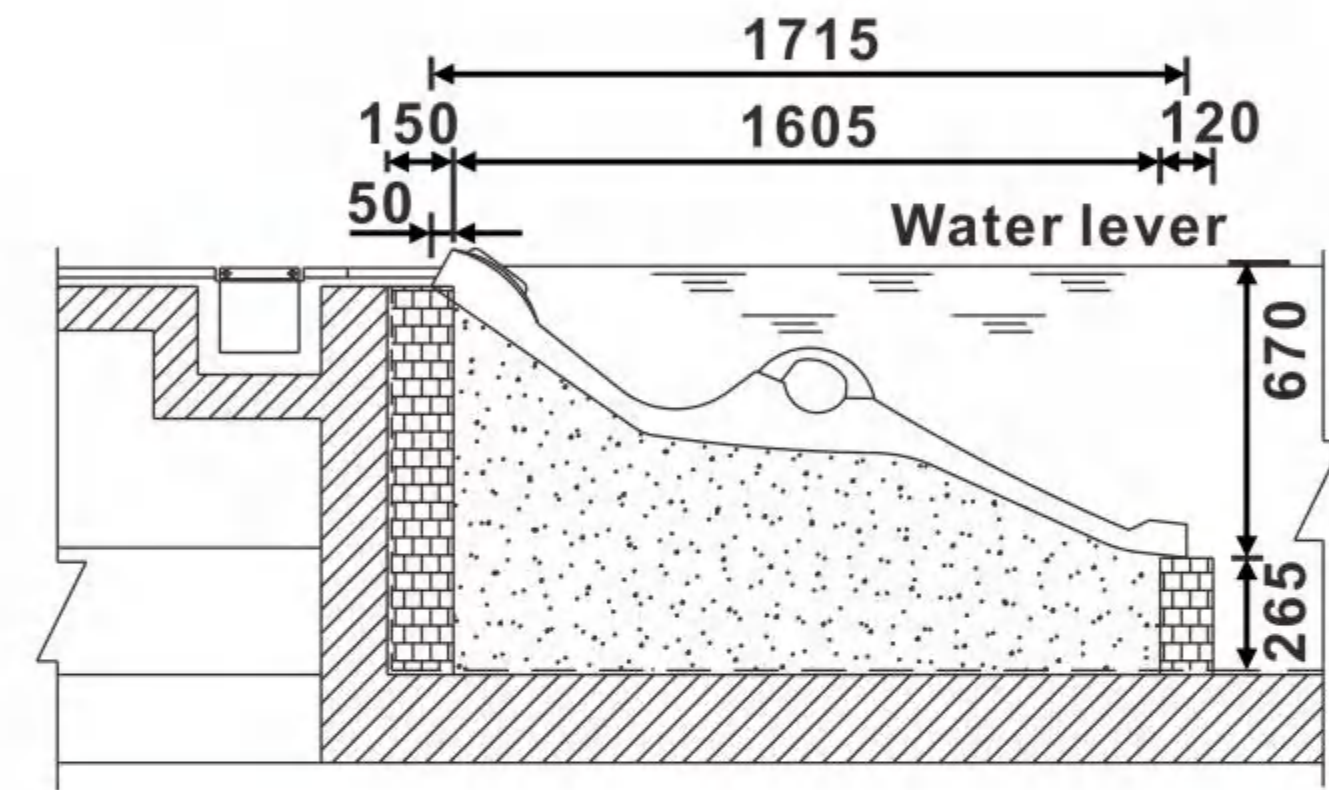
Model	Material	Length(mm)	Width(mm)
WL-SC501	Acryl	1996	880

SPA BED

HYDROTHERAPY EQUIPMENT



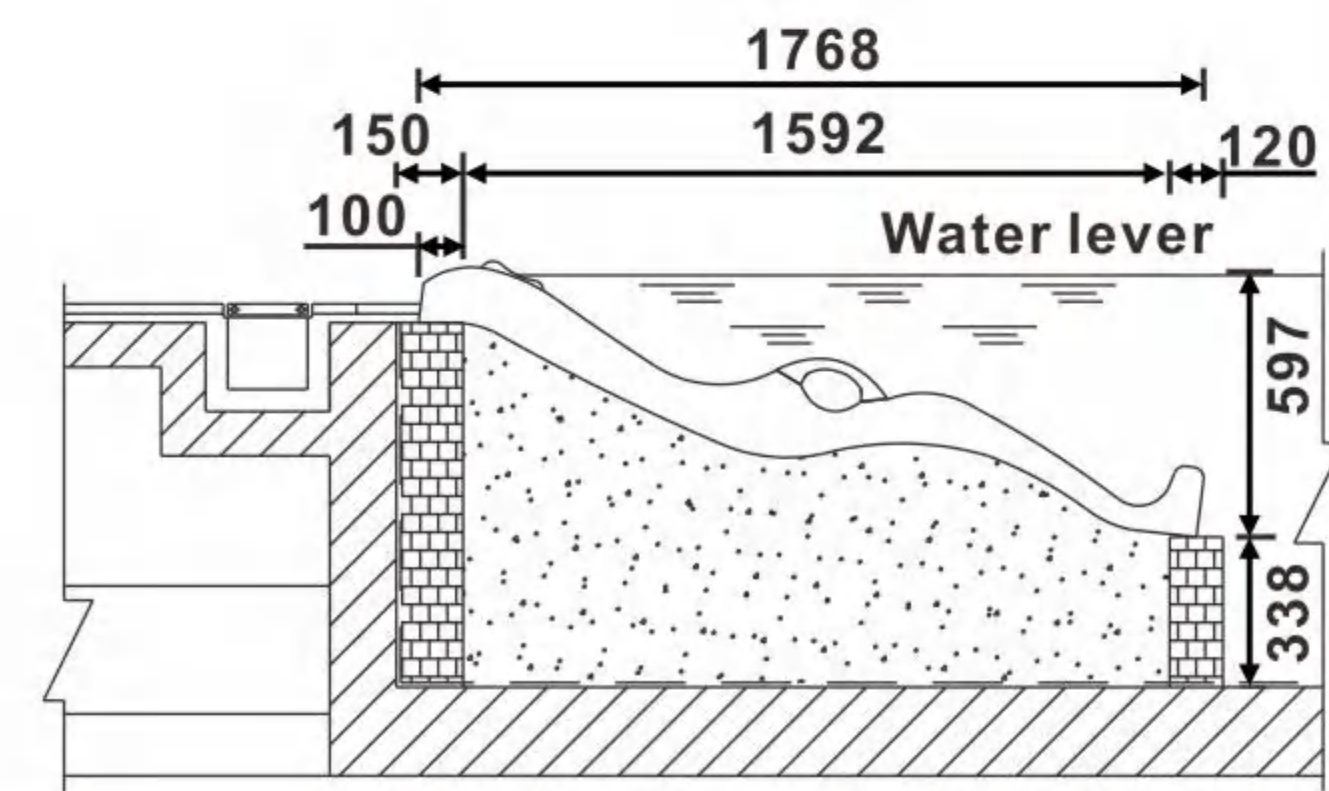
WL-SC601



Model	Material	Length(mm)	Width(mm)
WL-SC601	Acryl	1770	710



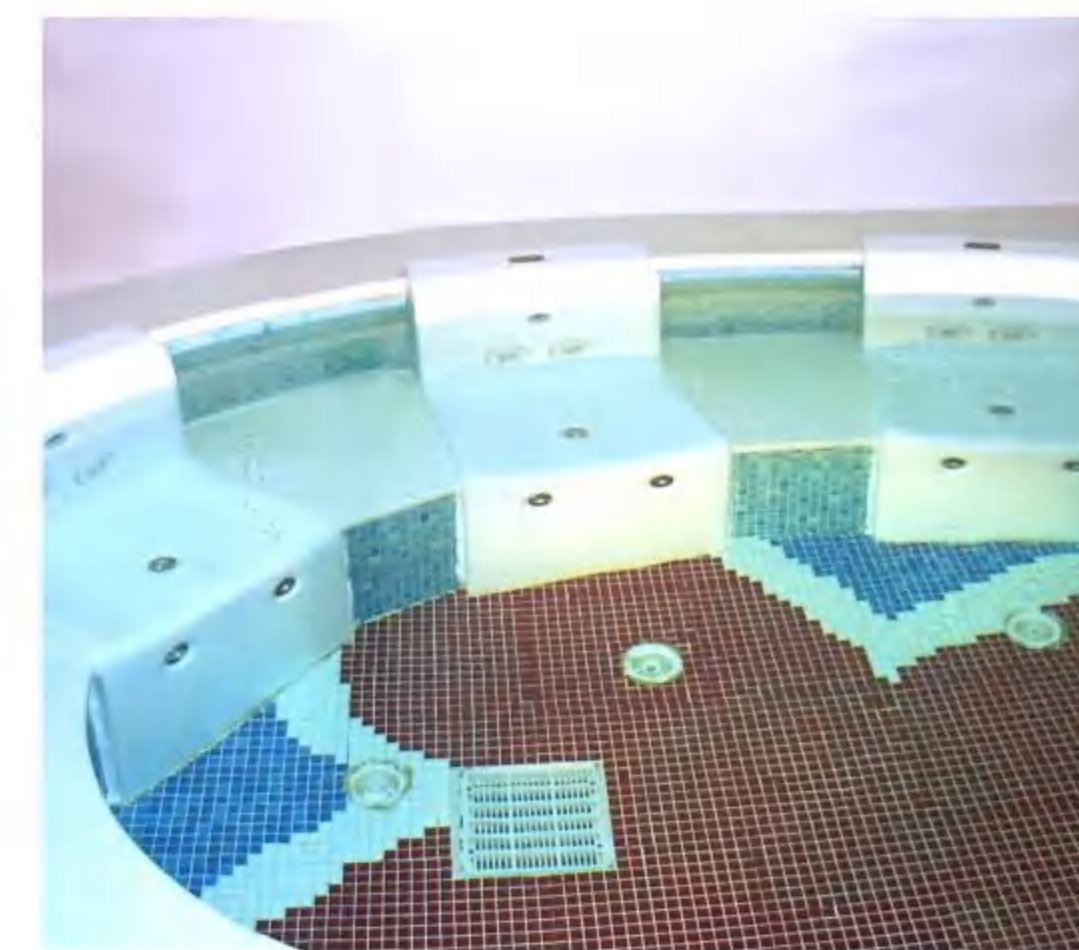
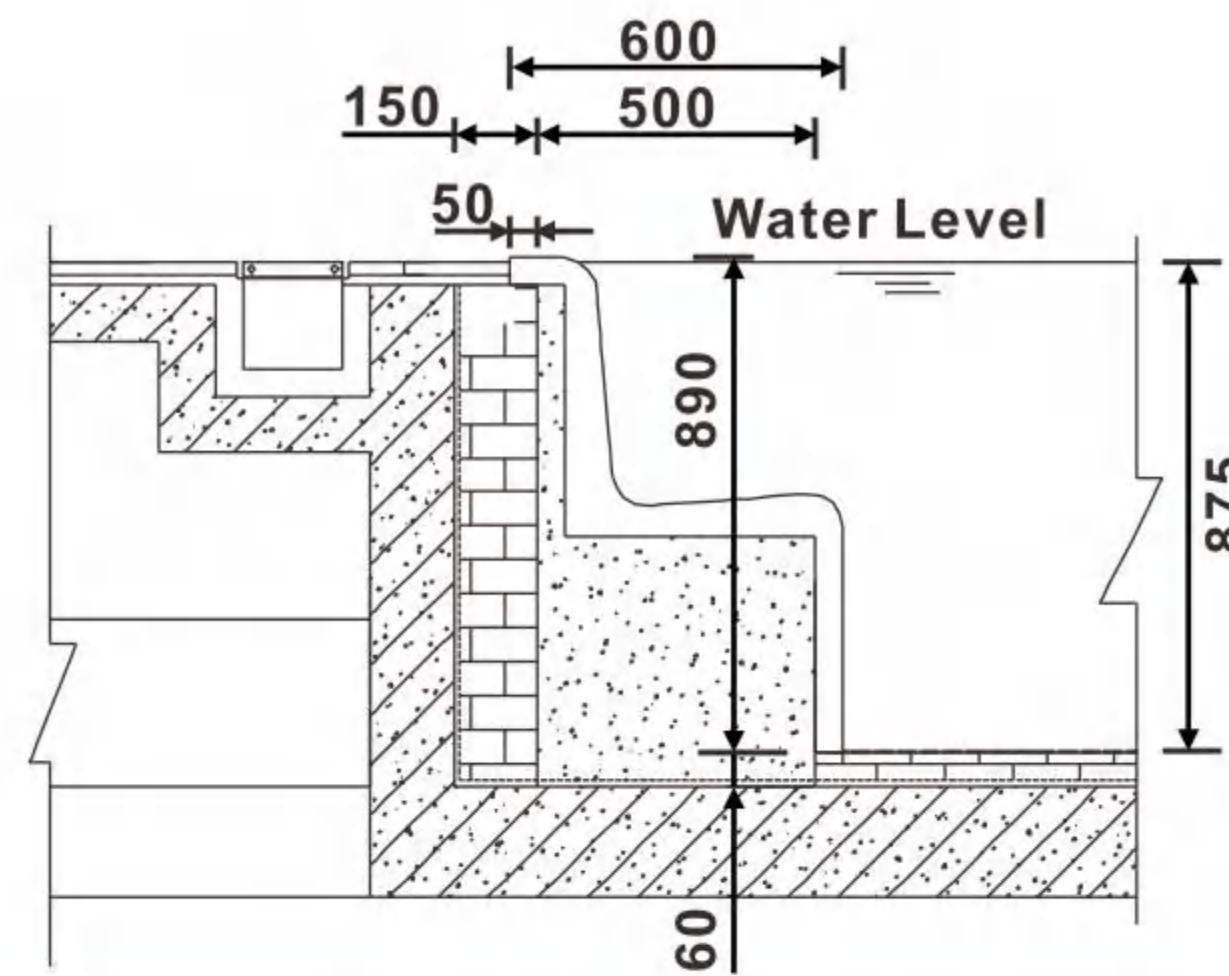
WL-SC701



Model	Material	Length(mm)	Width(mm)
WL-SC701	Acryl	1800	750



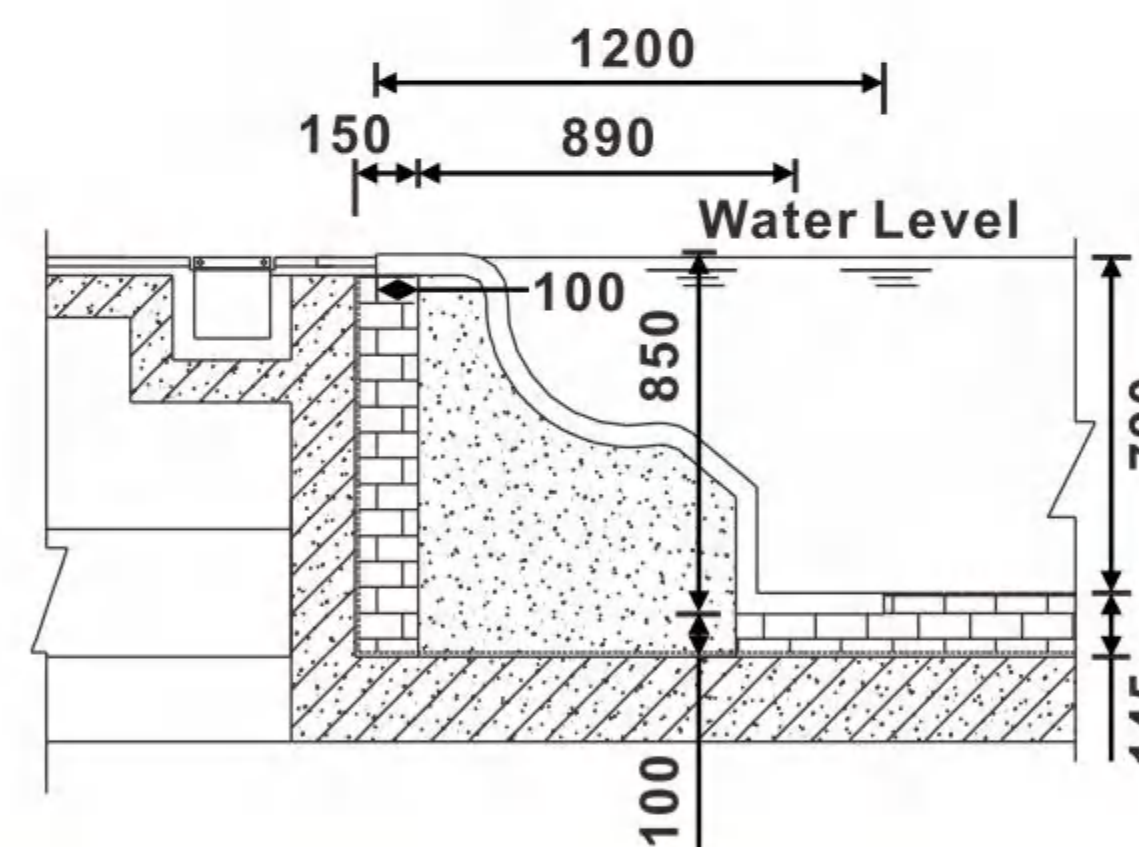
WL-ZY101



Model	Material	Length(mm)	Width(mm)
WL-ZY101	Acryl	890	550



WL-ZY201



Model	Material	Length(mm)	Width(mm)
WL-ZY201	Acryl	850	750



SMARTER WATER FOR A
SMARTER HOME

08




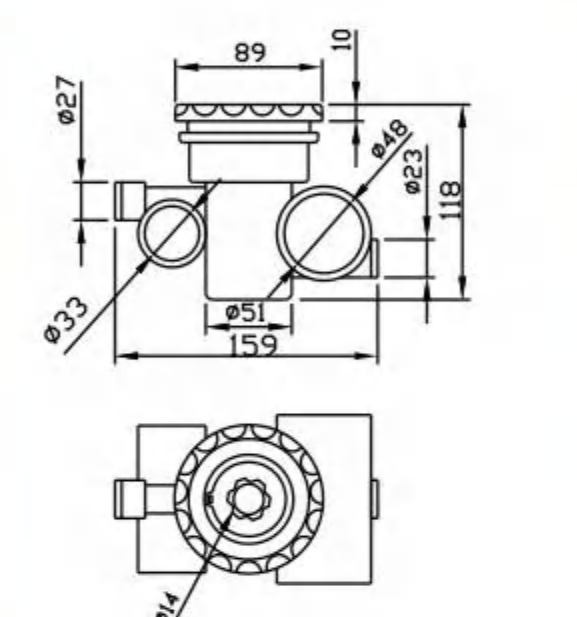
POOL FITTINGS & CLEANERS

POOL FITTINGS


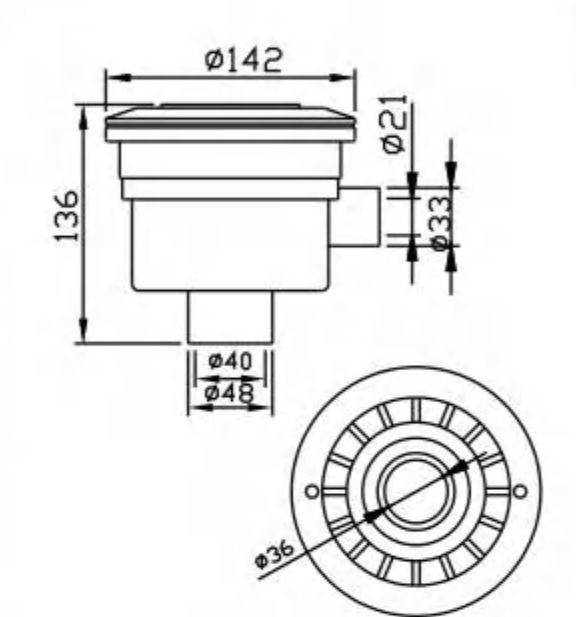
POOL FITTINGS & CLEANERS

POOL FITTINGS


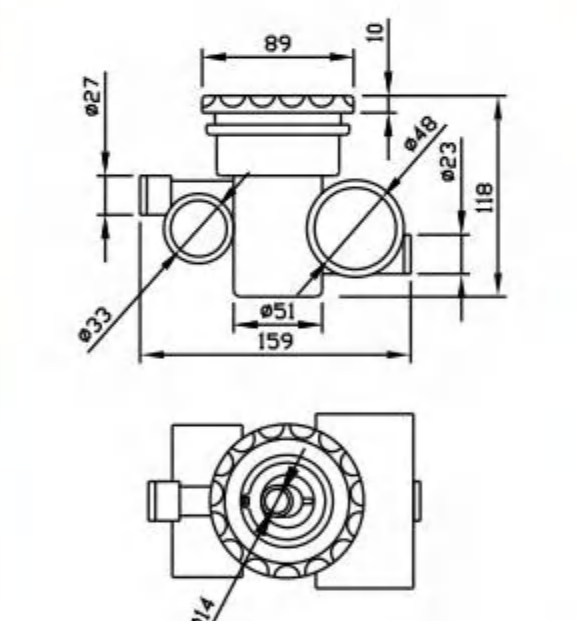
POOL FITTINGS & CLEANERS


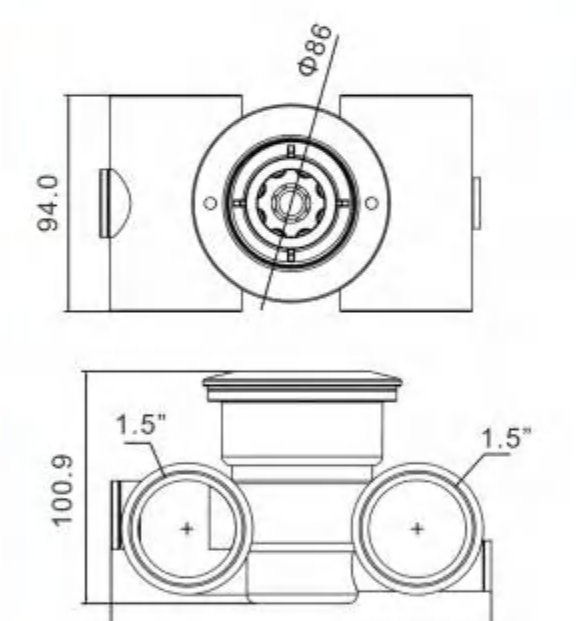
Products	Jet
Model	WL-APH02
Colour	White
Material	ABS


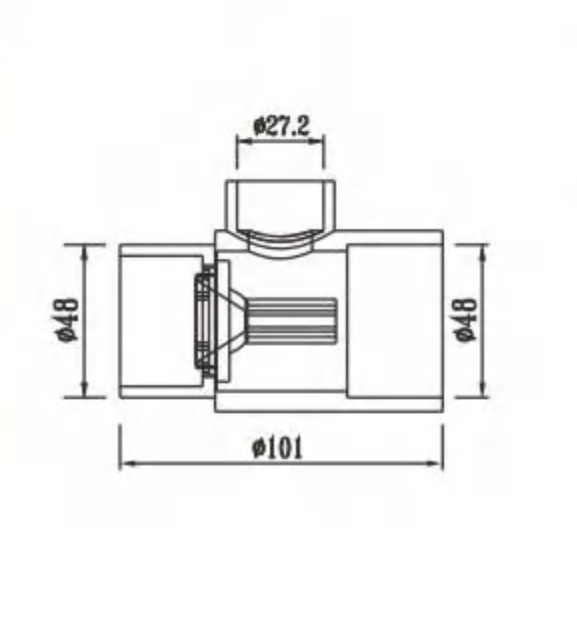
Products	Jet
Model	WL-APH03
Colour	White
Material	ABS


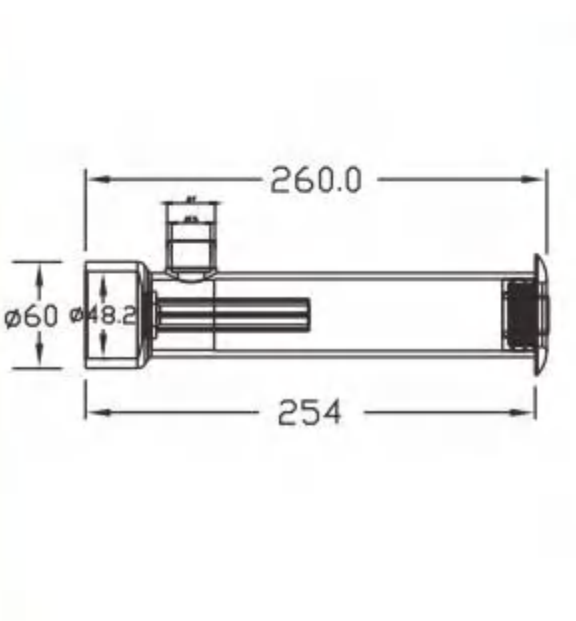
Products	Jet
Model	WL-AXP01
Colour	White
Material	ABS


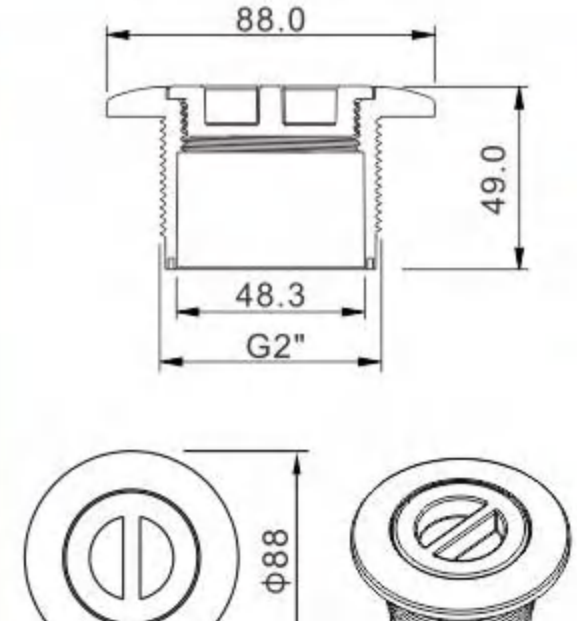
Products	Jet
Model	WL-BPH02
Colour	White
Material	ABS


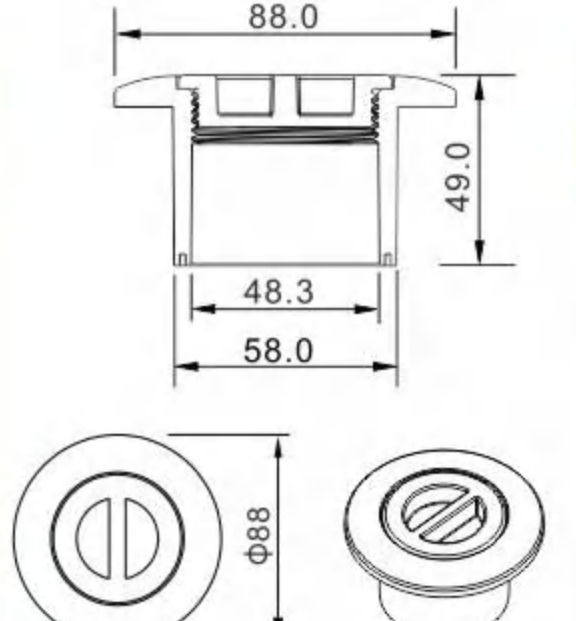
Products	Jet
Model	WL-ASL01
Colour	White
Material	ABS

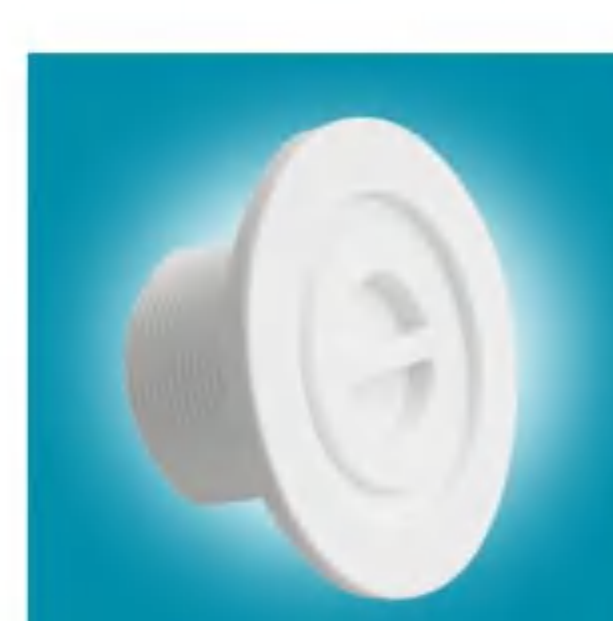
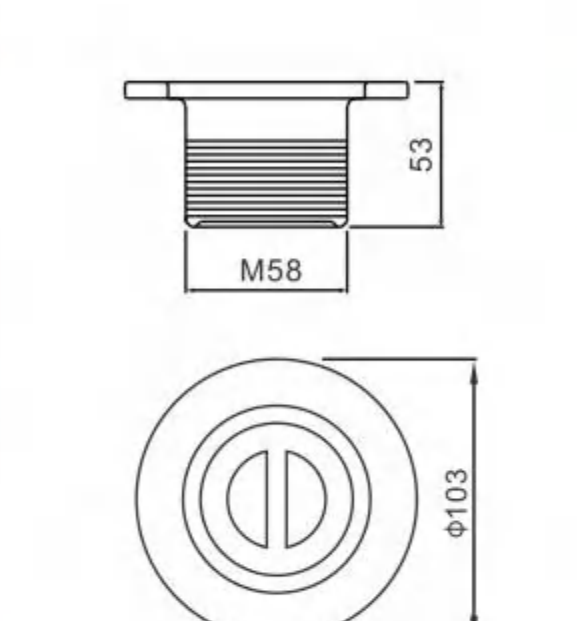
Products	Jet
Model	WL-ASL02
Colour	White
Material	ABS


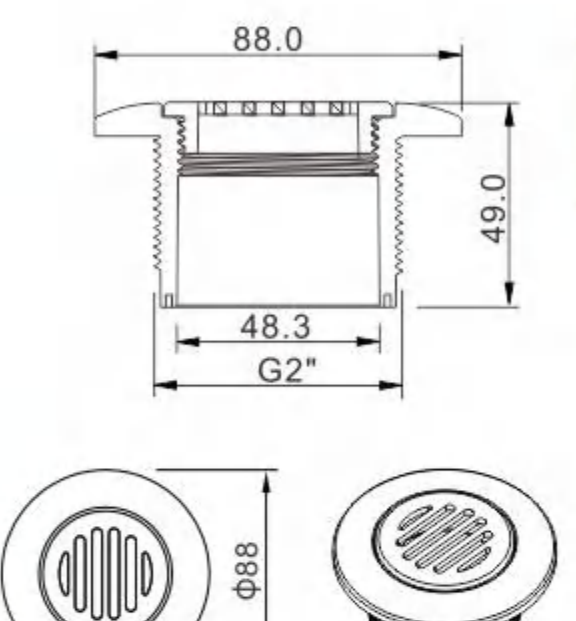
Products	Suction Head
Model	WL-ACW01V
Colour	White
Material	ABS

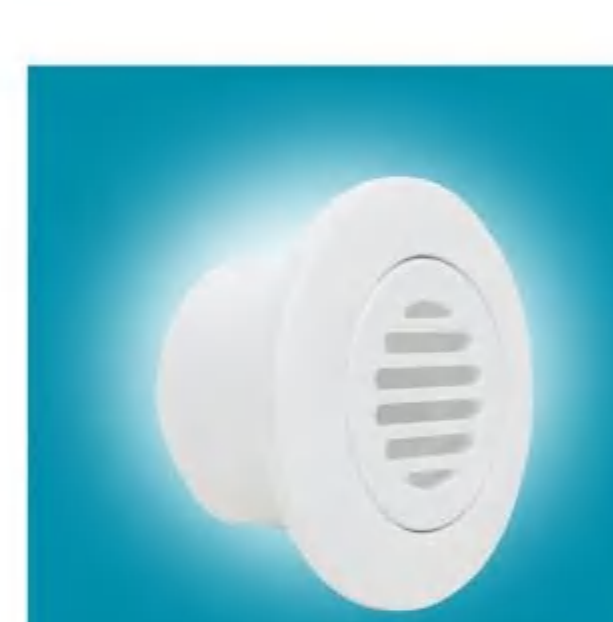
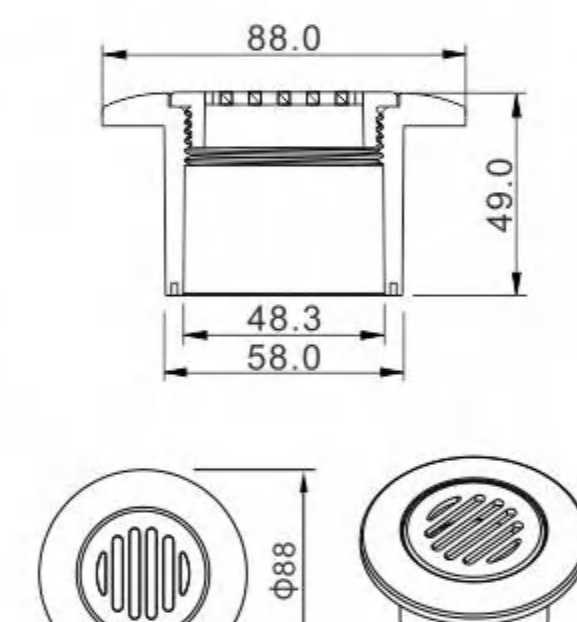
Products	Suction Head
Model	WL-ACW01C
Colour	White
Material	ABS

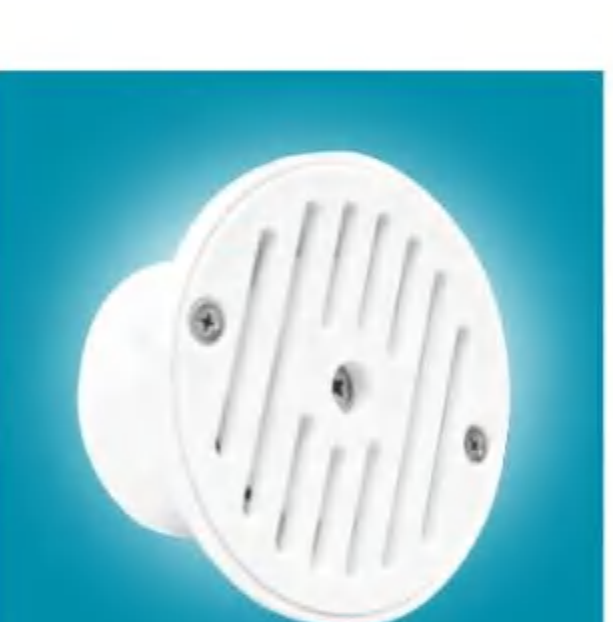
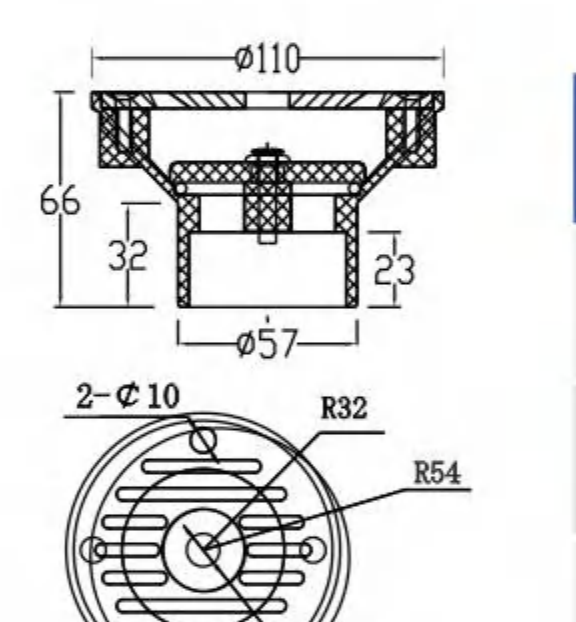
Products	Suction Head
Model	WL-ACW02
Colour	White
Material	ABS

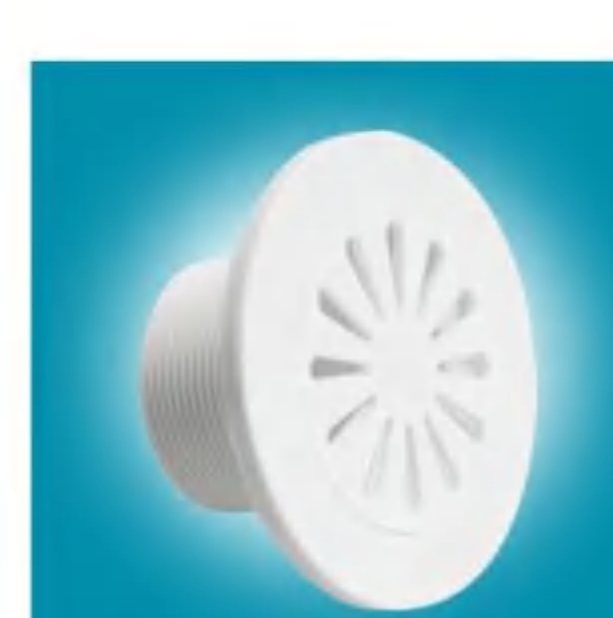
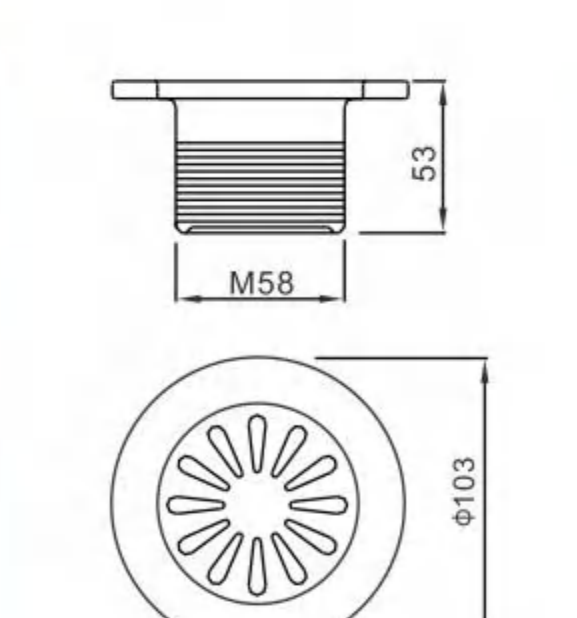
Products	Suction Head
Model	WL-ACW03V
Colour	White
Material	ABS

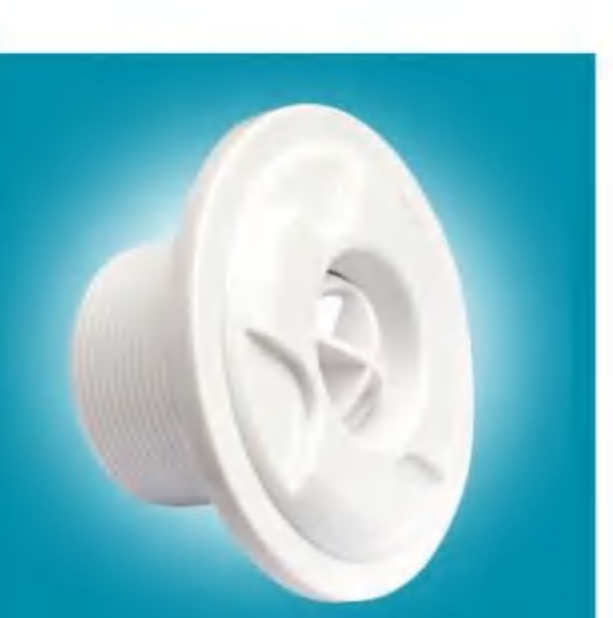
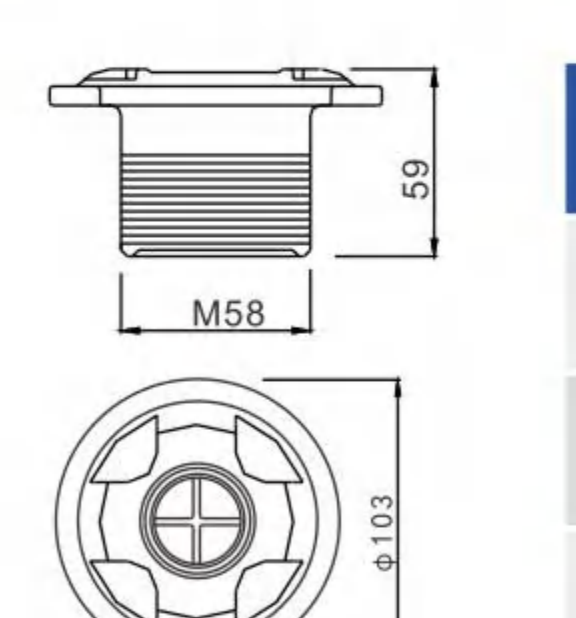
Products	Suction Head
Model	WL-ACW03C
Colour	White
Material	ABS


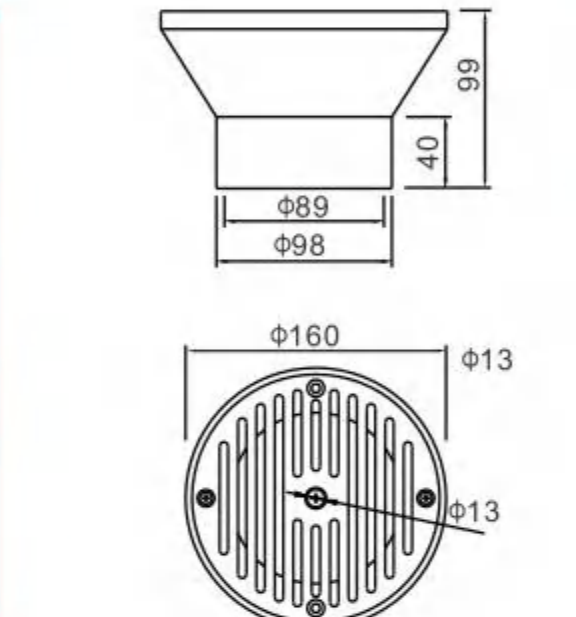
Products	Adjustable Inlet (1.5")
Model	WL-AJH01
Colour	White
Material	ABS


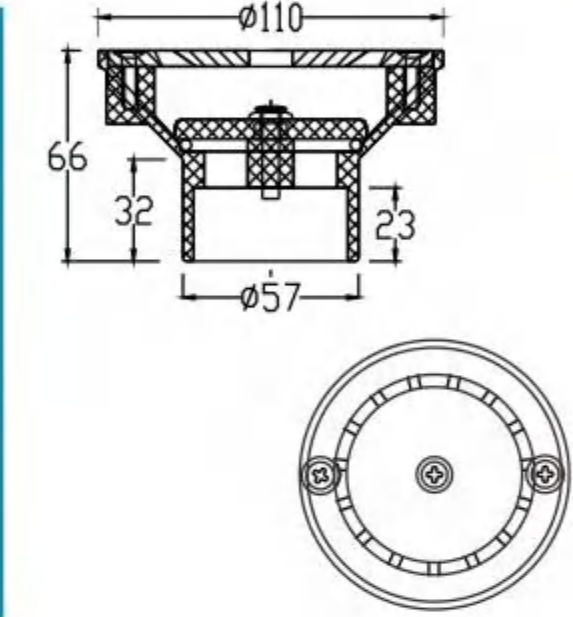
Products	Adjustable Inlet
Model	WL-AJH02
Colour	White
Material	ABS


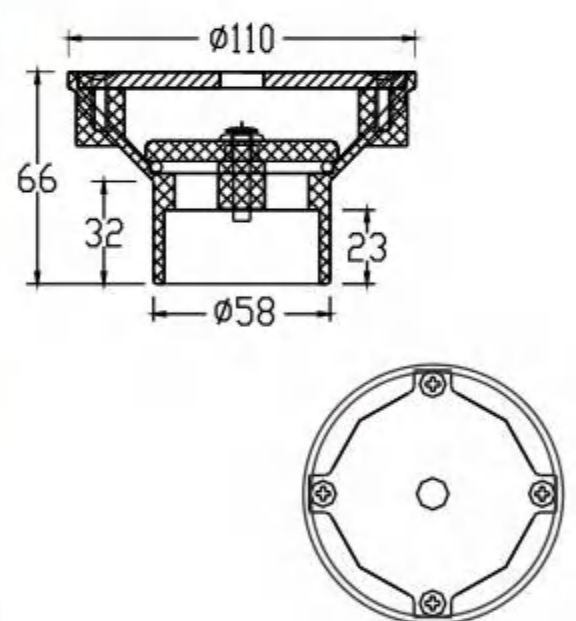
Products	Adjustable Inlet
Model	WL-AJH03
Colour	White
Material	ABS


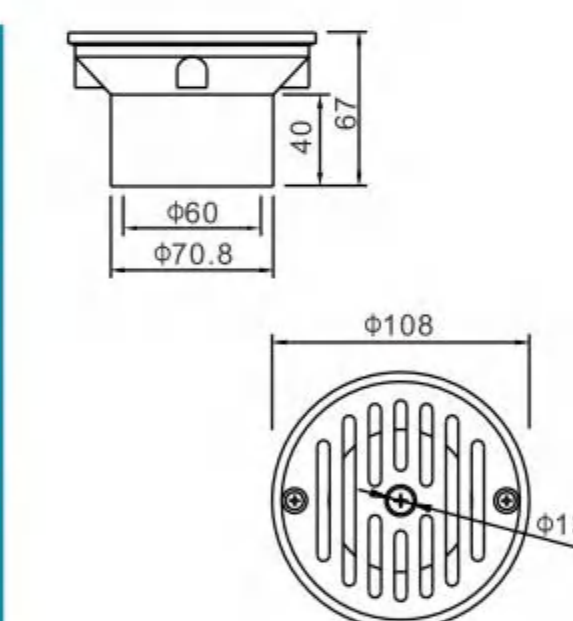
Products	Adjustable Inlet (3")
Model	WL-AJH31
Colour	White
Material	ABS


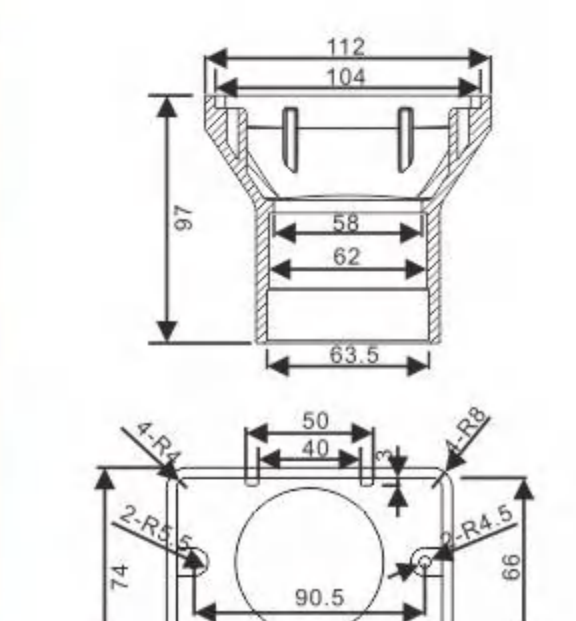
Products	Adjustable Inlet
Model	WL-AJH04
Colour	White
Material	ABS


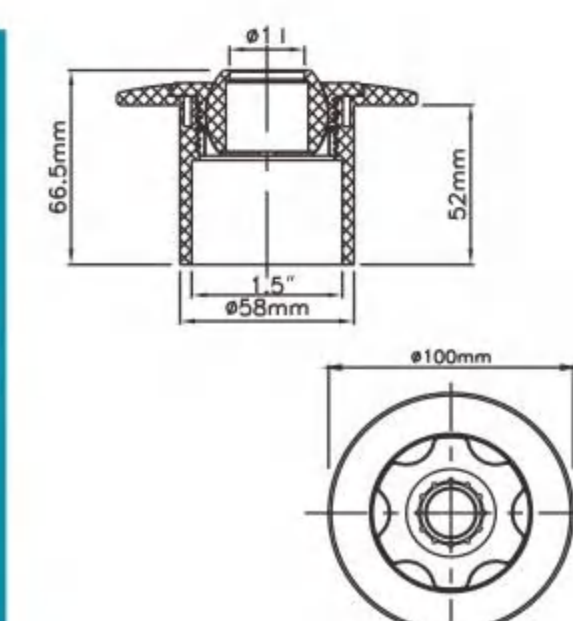
Products	Adjustable Inlet
Model	WL-AJH05
Colour	White
Material	ABS


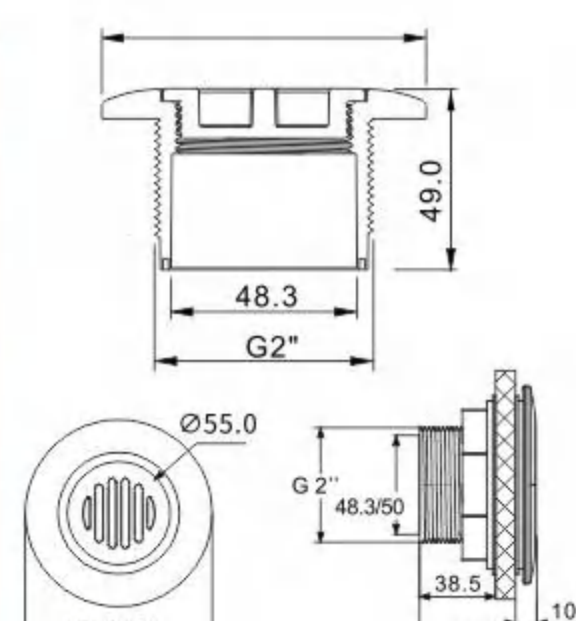
Products	Adjustable Inlet (2")
Model	WL-AJH21
Colour	White
Material	ABS


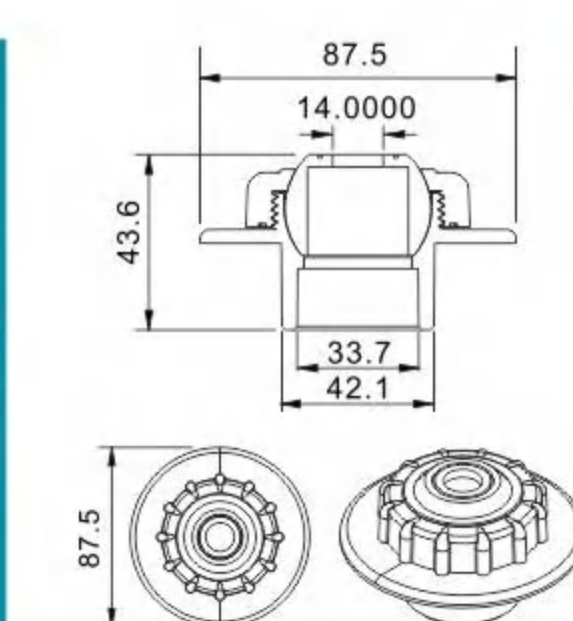
Products	Gutter Drain
Model	WL-AYK01
Colour	White
Material	ABS


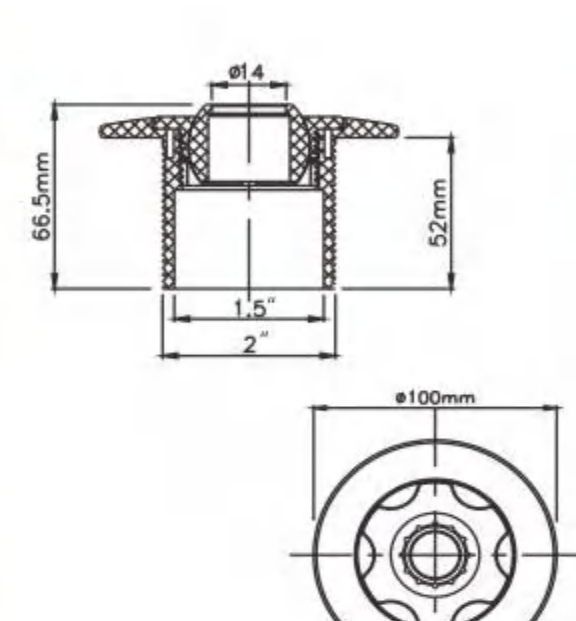
Products	Eyeball Inlet For Concrete Pool
Model	WL-EJH14C
Colour	White
Material	ABS


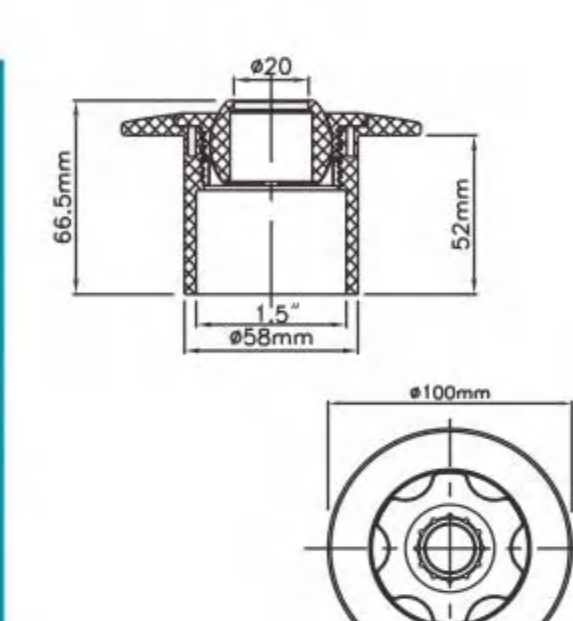
Products	Gutter Drain
Model	PCW03
Colour	White
Material	ABS


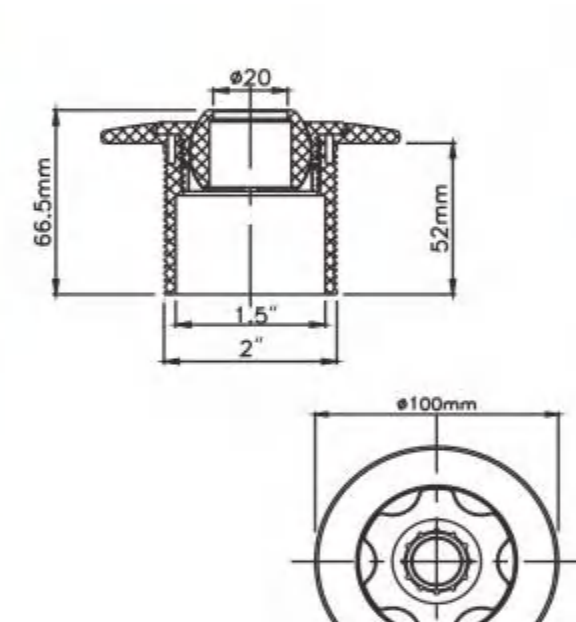
Products	Eyeball Inlet For Concrete Pool
Model	WL-IPE
Colour	White
Material	ABS

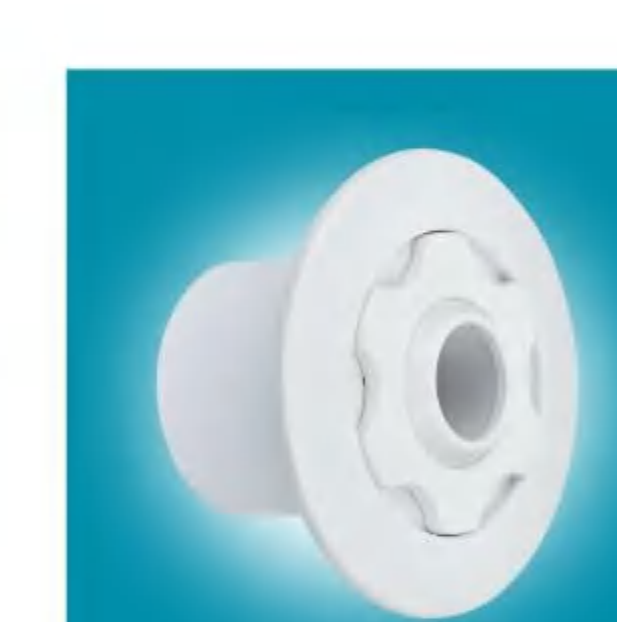
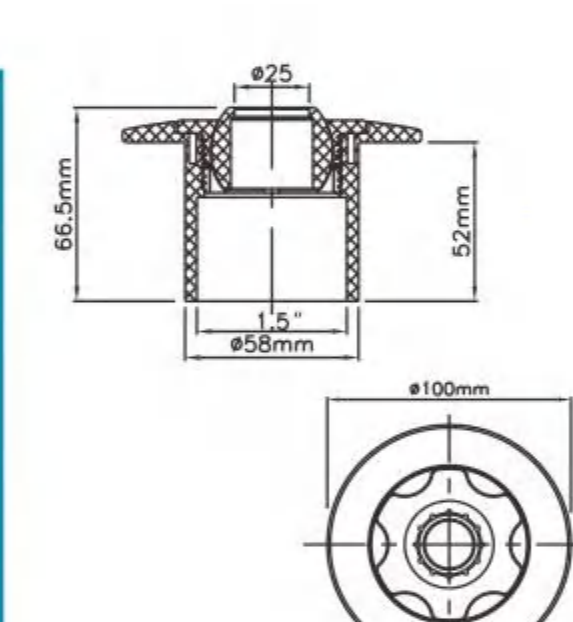
Products	Eyeball Inlet
Model	WL-EJH14V
Colour	White
Material	ABS

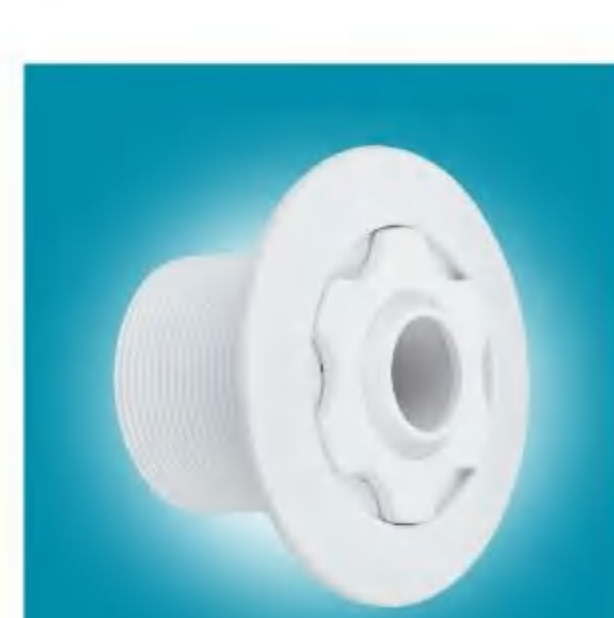
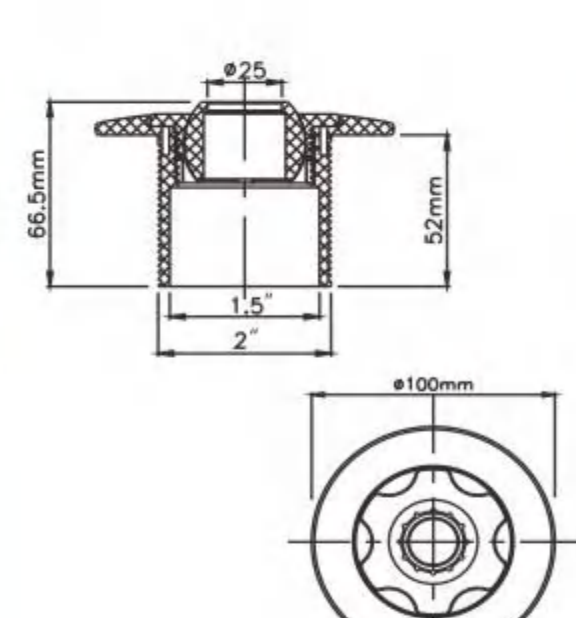
Products	Eyeball Inlet For Concrete Pool
Model	WL-EJH20C
Colour	White
Material	ABS


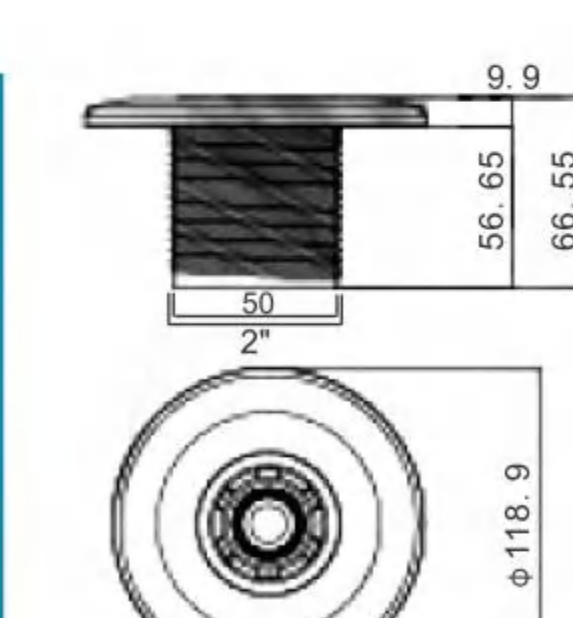
Products	Eyeball Inlet
Model	WL-EJH20V
Colour	White
Material	ABS

Products	Eyeball Inlet For Concrete Pool
Model	WL-EJH25C
Colour	White
Material	ABS

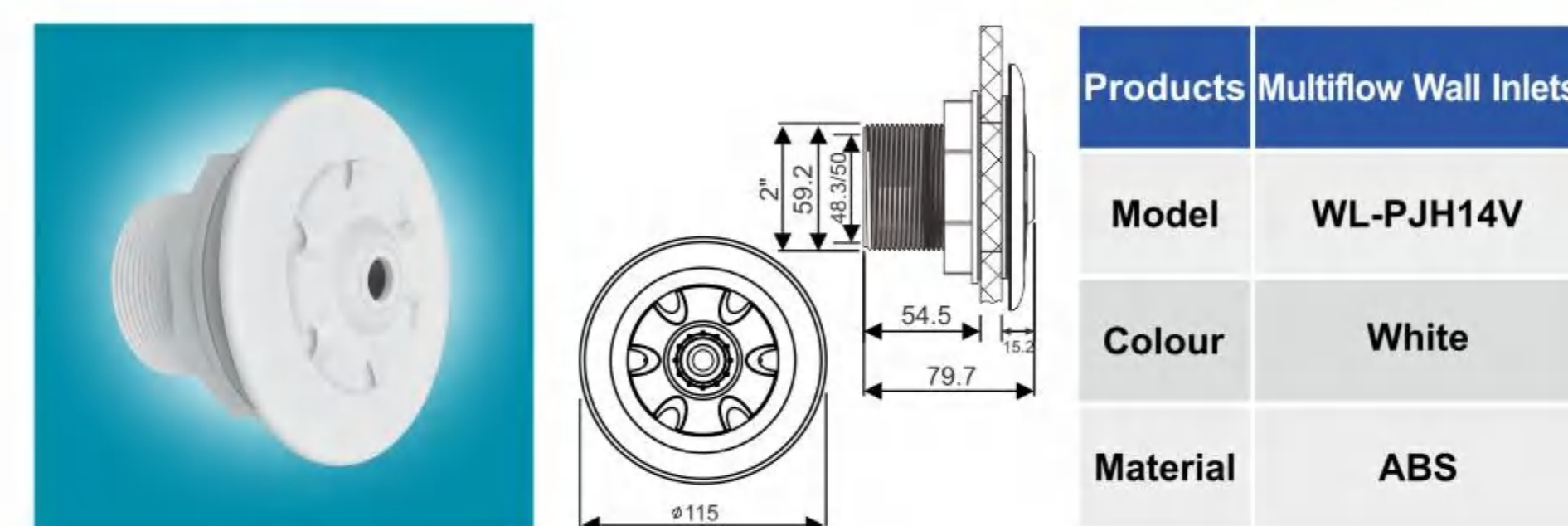
Products	Eyeball Inlet
Model	WL-EJH25V
Colour	White
Material	ABS

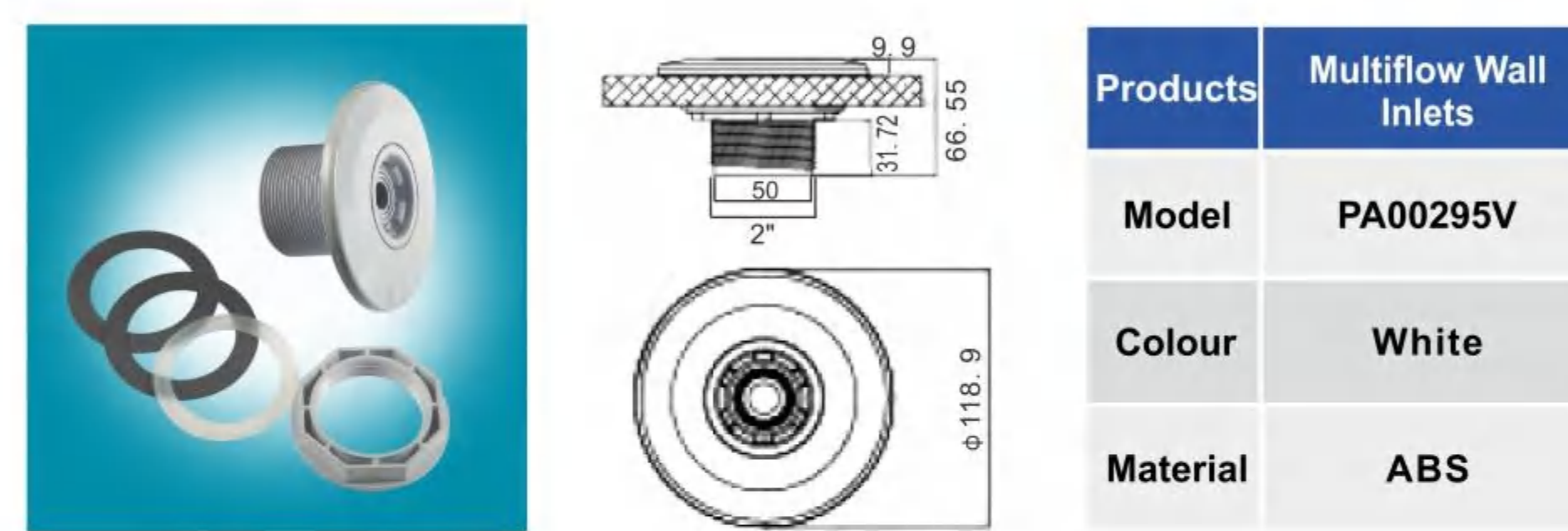
Products	Multiflow Wall Inlets
Model	PA00295C
Colour	White
Material	ABS

POOL FITTINGS

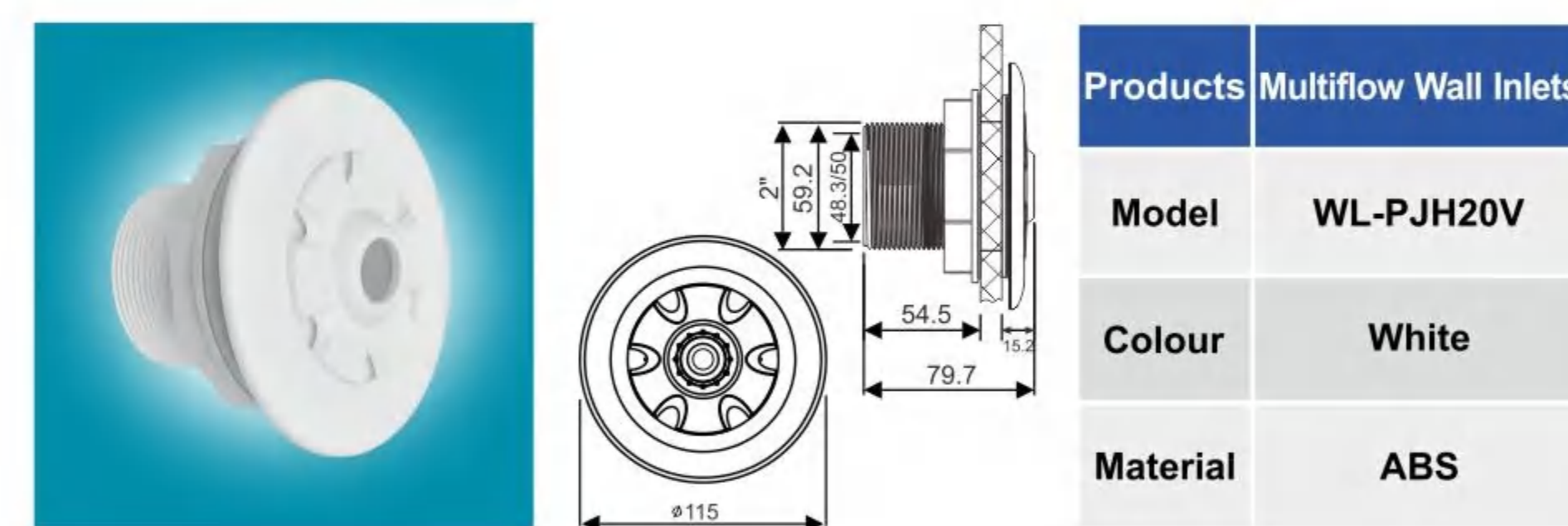
POOL FITTINGS & CLEANERS



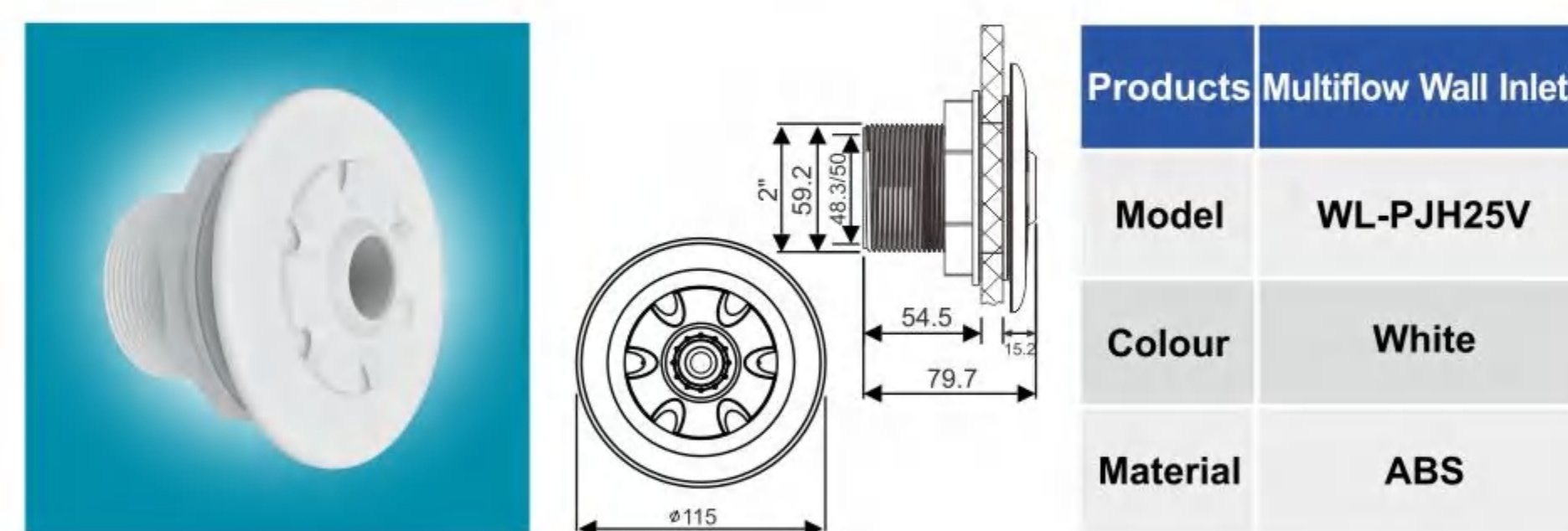
Products	Multiflow Wall Inlets
Model	WL-PJH14V
Colour	White
Material	ABS



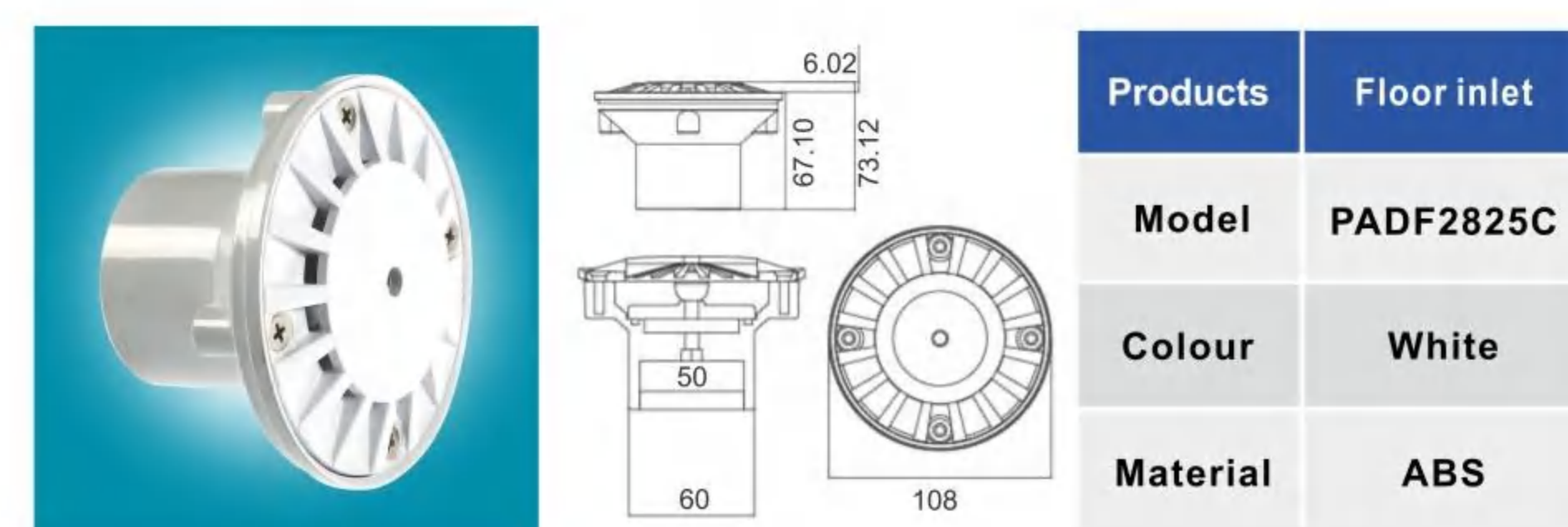
Products	Multiflow Wall Inlets
Model	PA00295V
Colour	White
Material	ABS



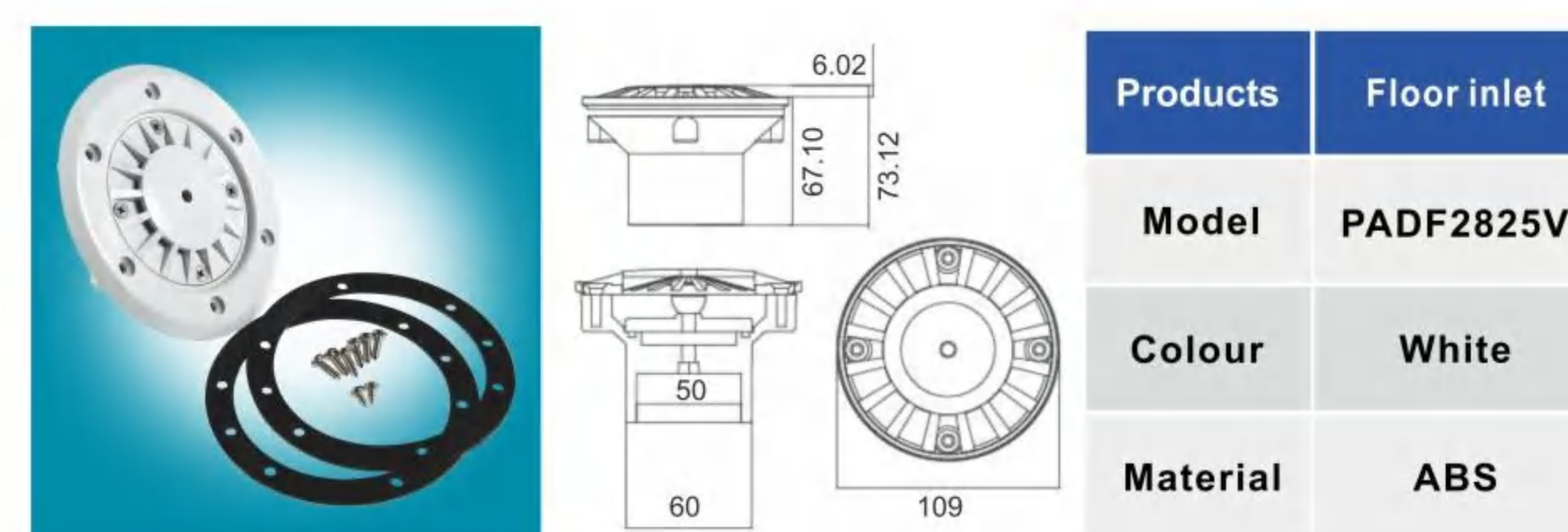
Products	Multiflow Wall Inlets
Model	WL-PJH20V
Colour	White
Material	ABS



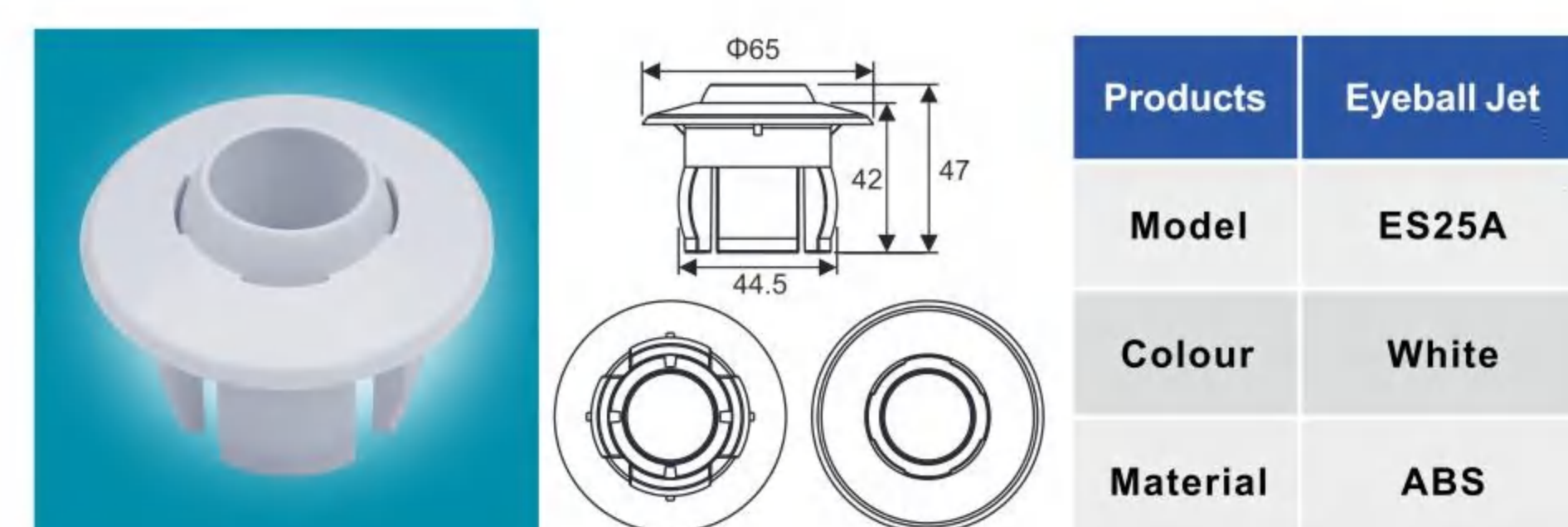
Products	Multiflow Wall Inlets
Model	WL-PJH25V
Colour	White
Material	ABS



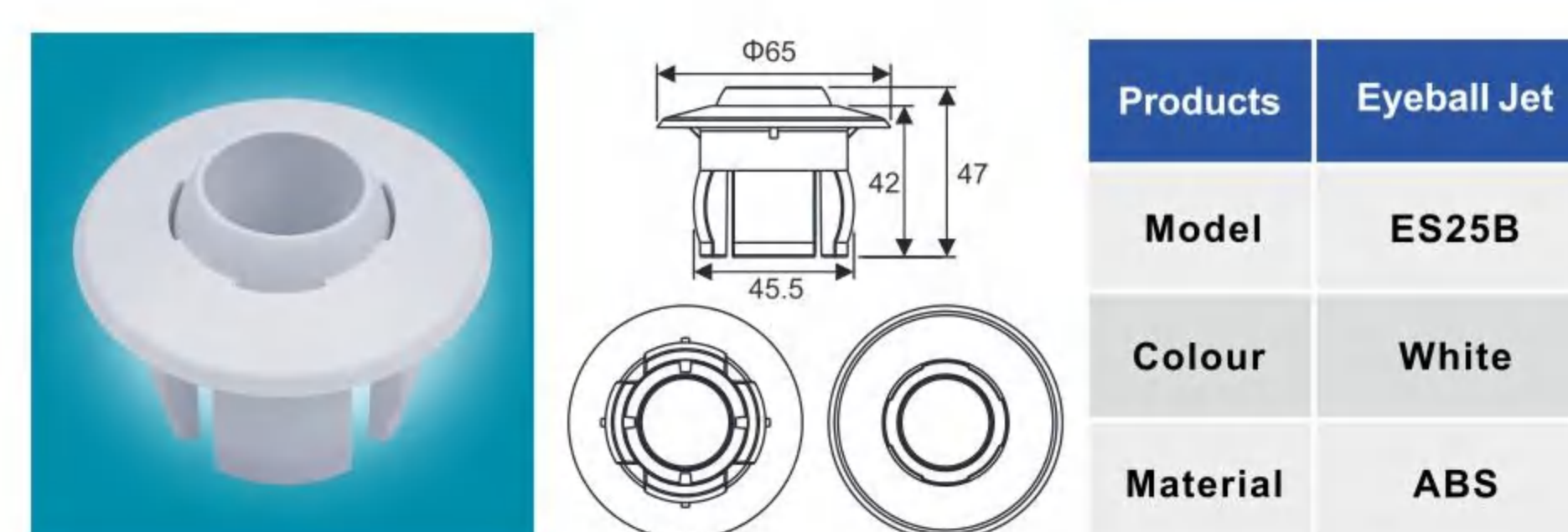
Products	Floor inlet
Model	PADF2825C
Colour	White
Material	ABS



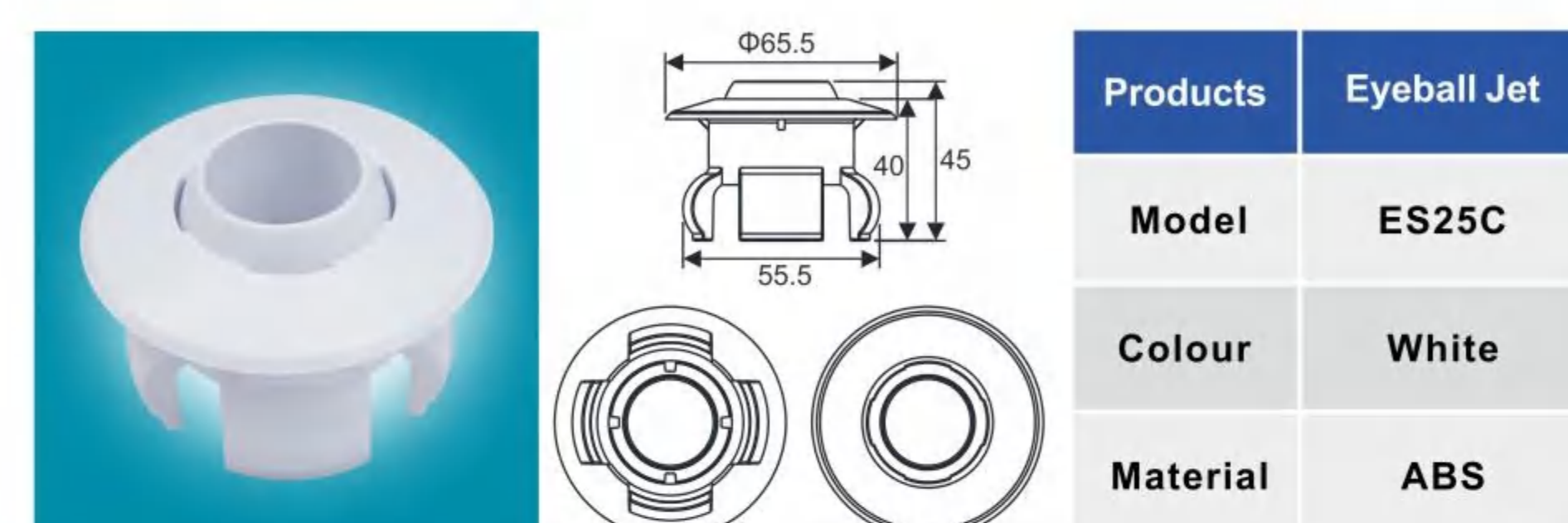
Products	Floor inlet
Model	PADF2825V
Colour	White
Material	ABS



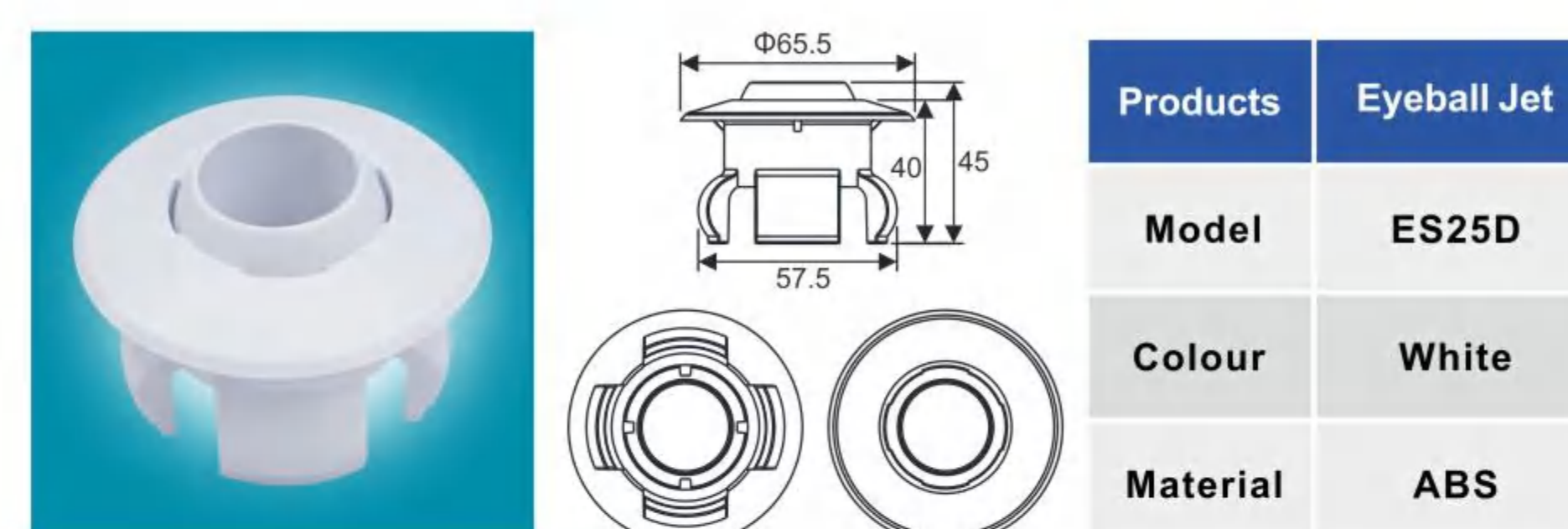
Products	Eyeball Jet
Model	ES25A
Colour	White
Material	ABS



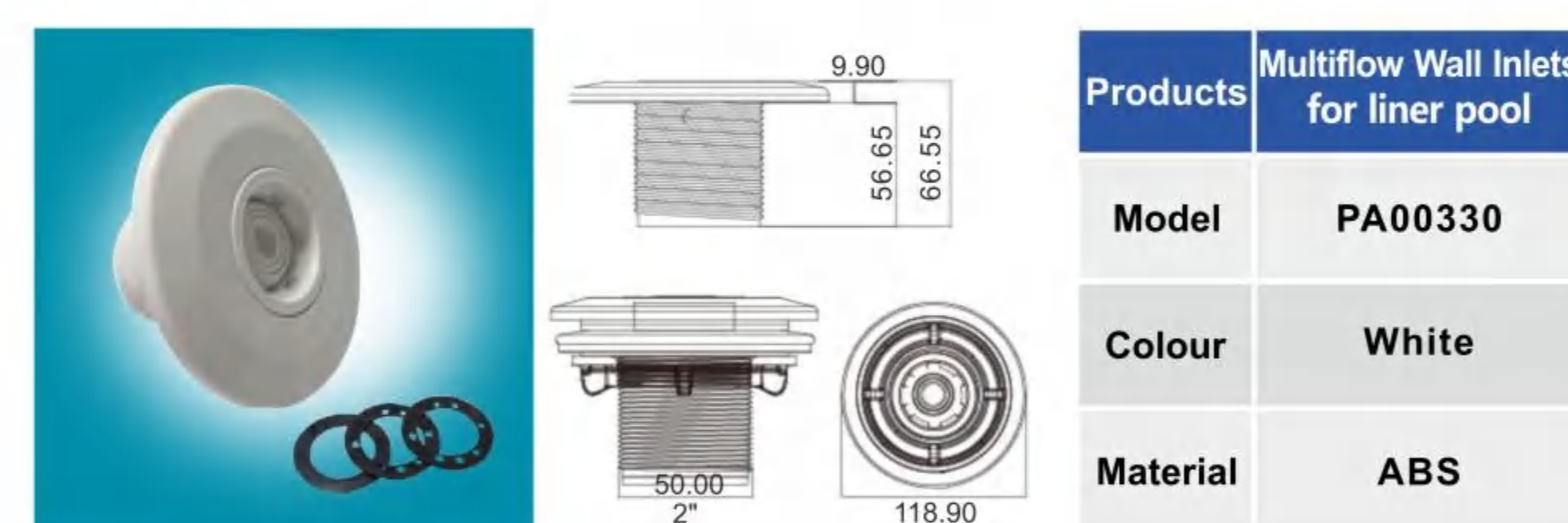
Products	Eyeball Jet
Model	ES25B
Colour	White
Material	ABS



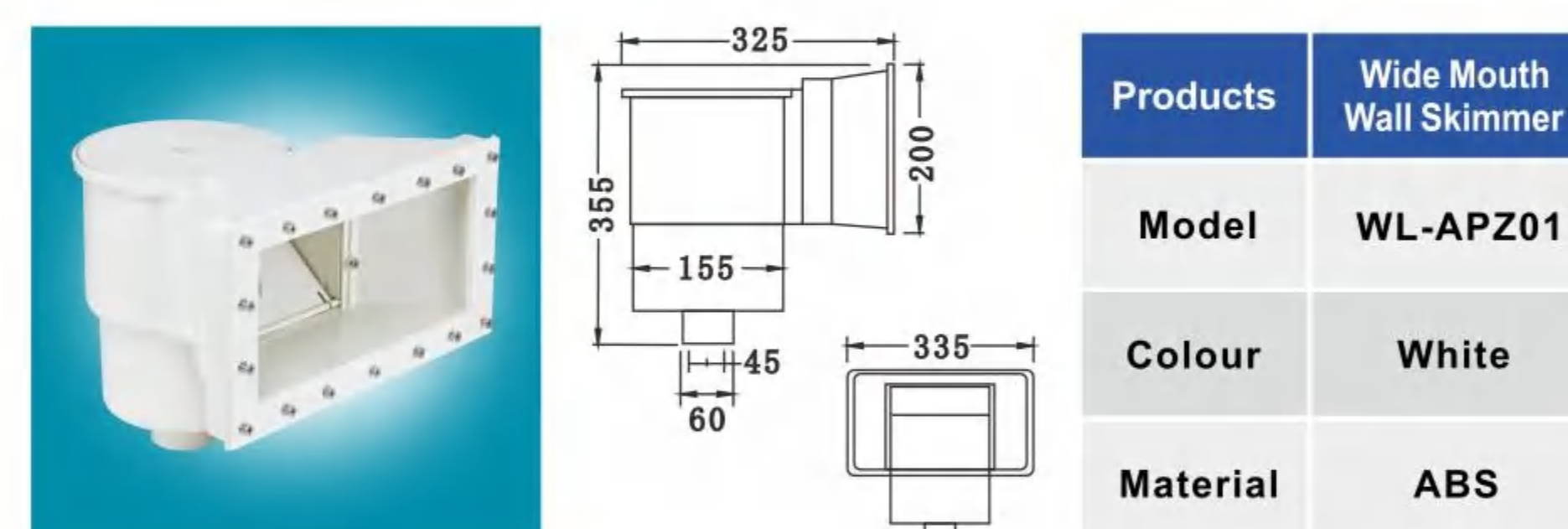
Products	Eyeball Jet
Model	ES25C
Colour	White
Material	ABS



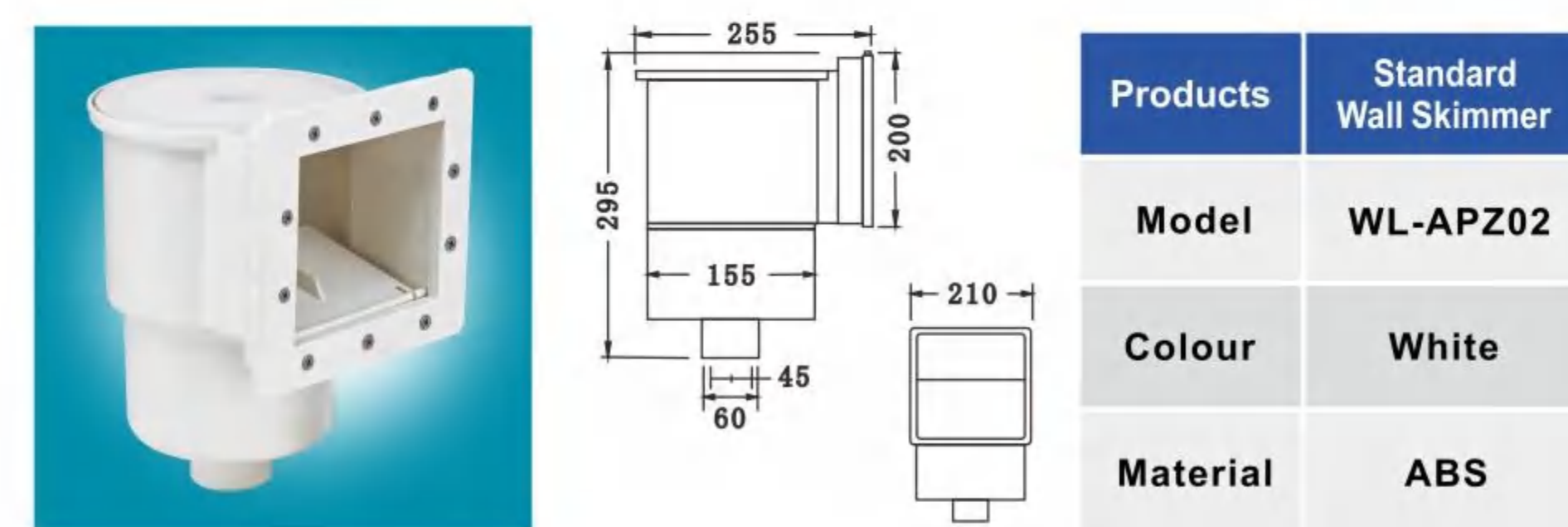
Products	Eyeball Jet
Model	ES25D
Colour	White
Material	ABS



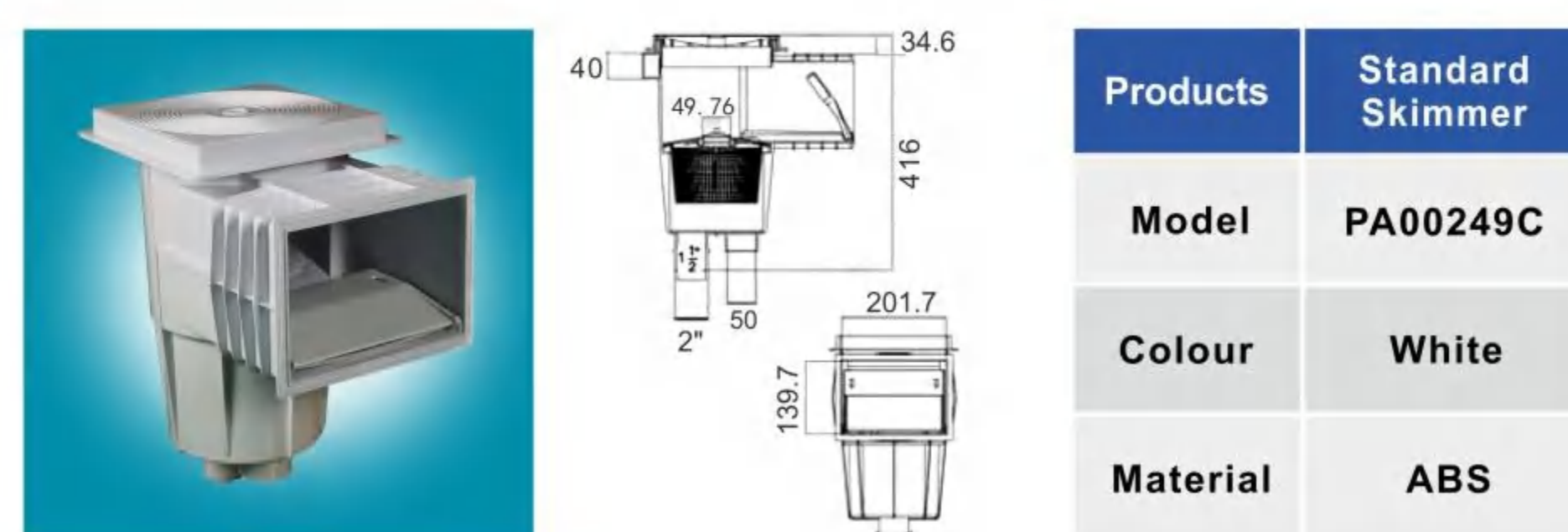
Products	Multiflow Wall Inlets for liner pool
Model	PA00330
Colour	White
Material	ABS



Products	Wide Mouth Wall Skimmer
Model	WL-APZ01
Colour	White
Material	ABS



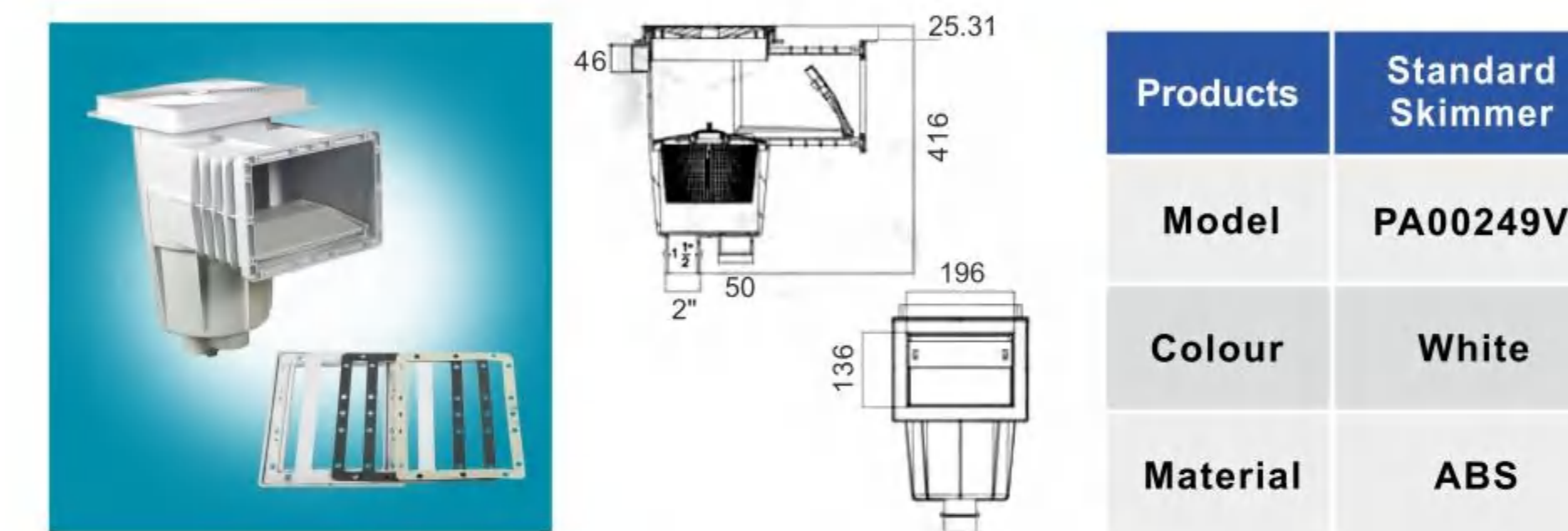
Products	Standard Wall Skimmer
Model	WL-APZ02
Colour	White
Material	ABS



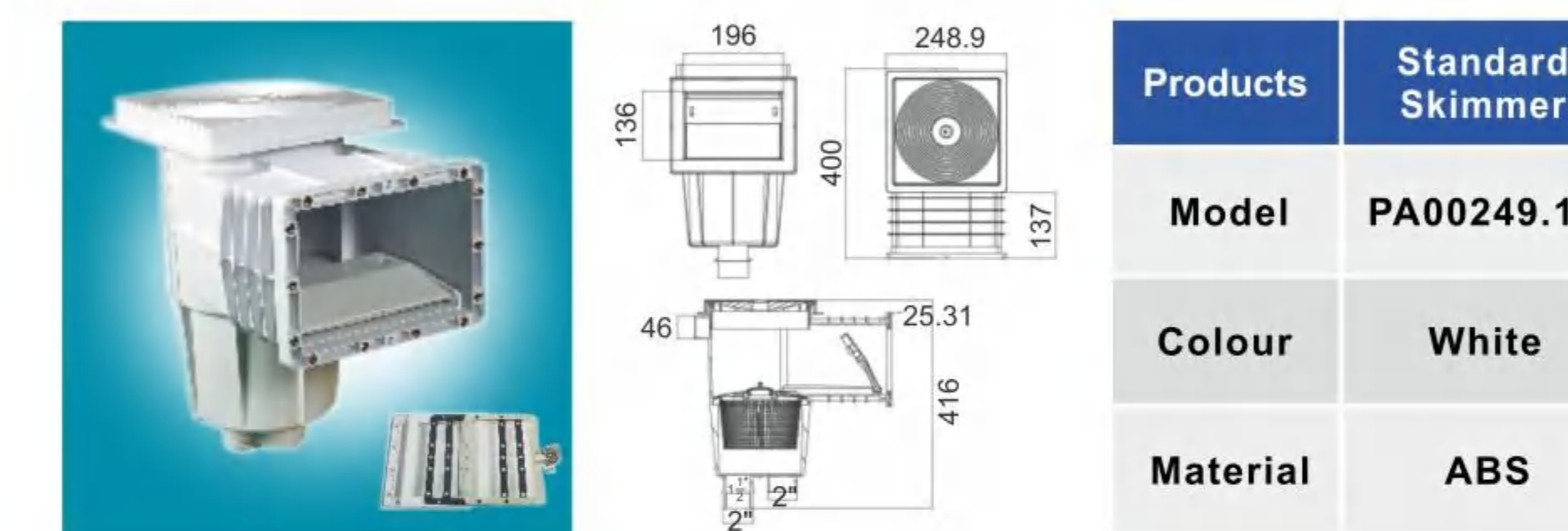
Products	Standard Skimmer
Model	PA00249C
Colour	White
Material	ABS

POOL FITTINGS

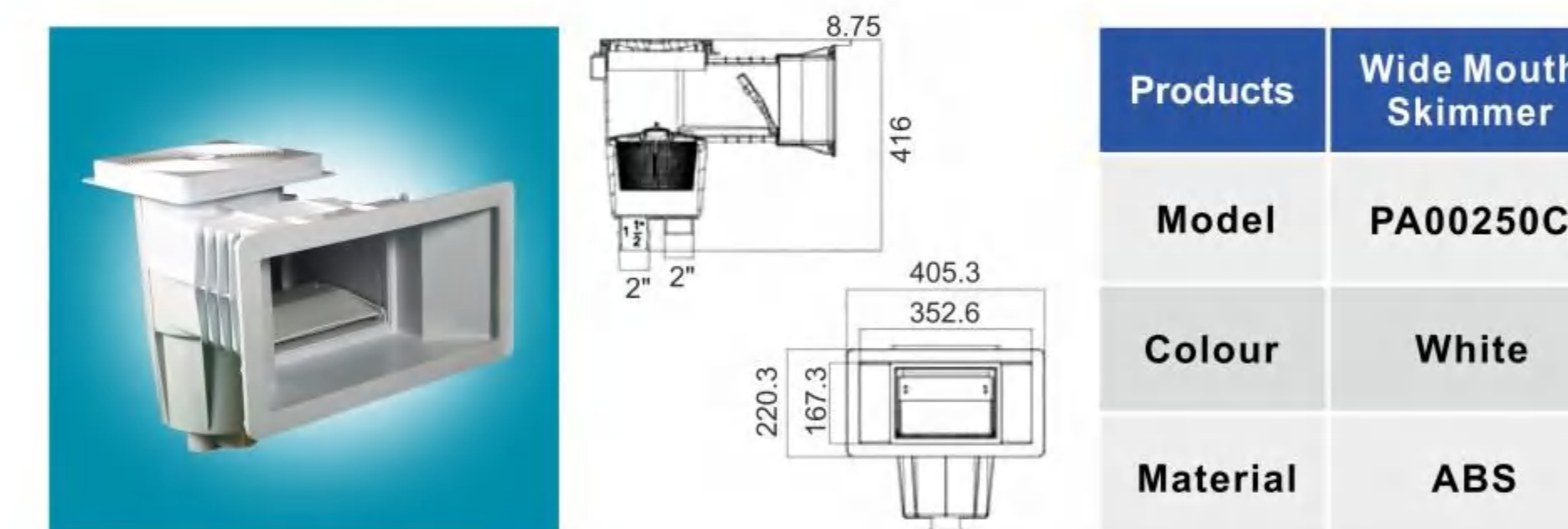
POOL FITTINGS & CLEANERS



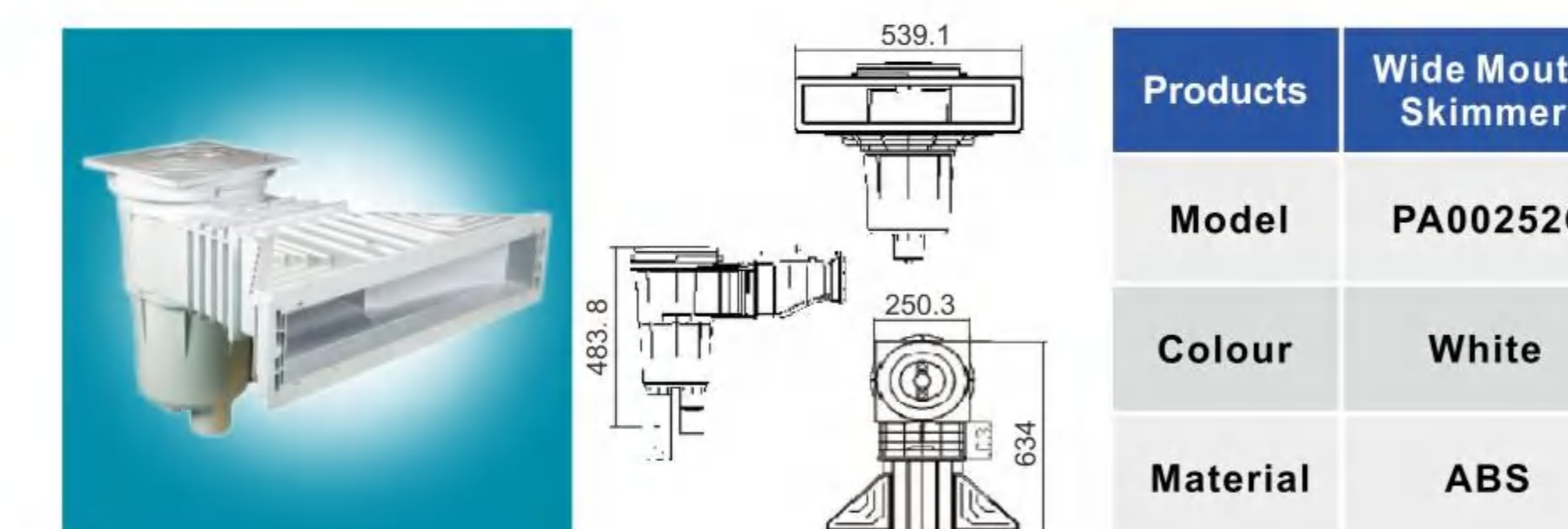
Products	Standard Skimmer
Model	PA00249V
Colour	White
Material	ABS



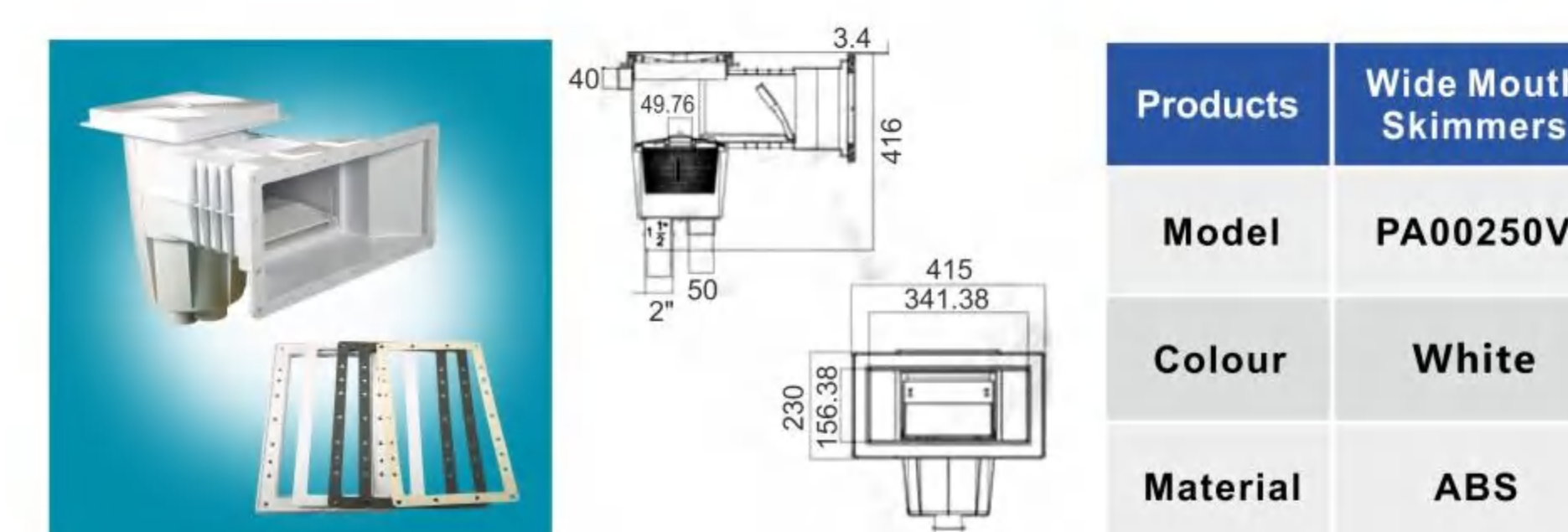
Products	Standard Skimmer
Model	PA00249.1V
Colour	White
Material	ABS



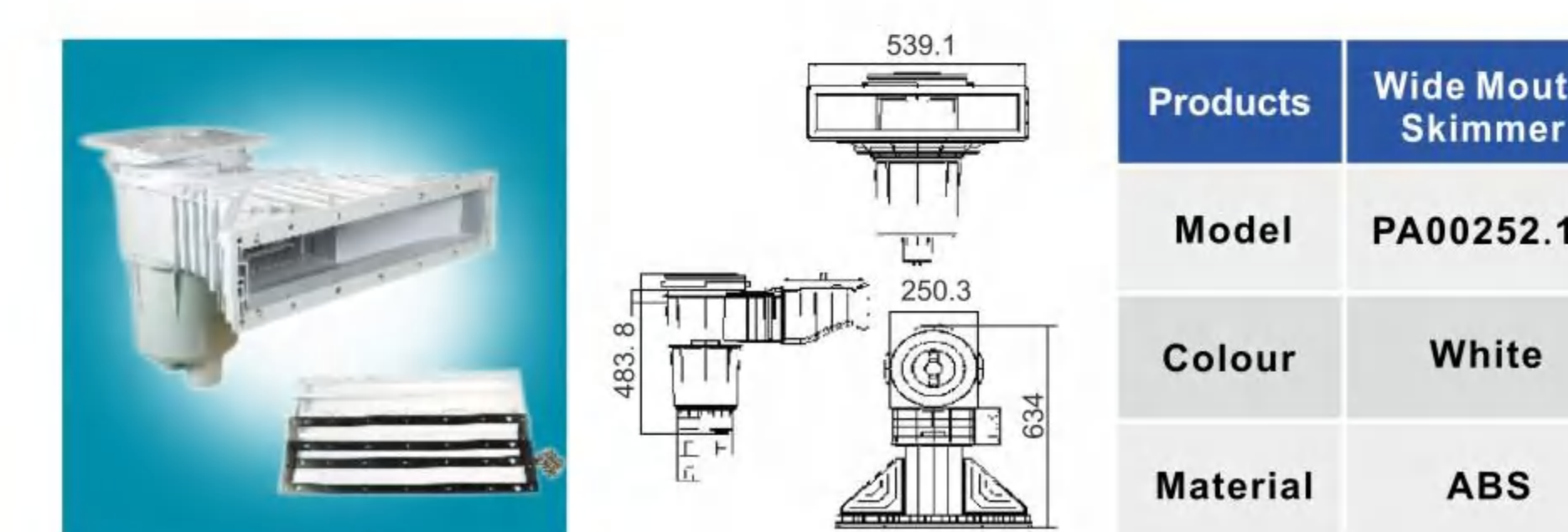
Products	Wide Mouth Skimmer
Model	PA00250C
Colour	White
Material	ABS



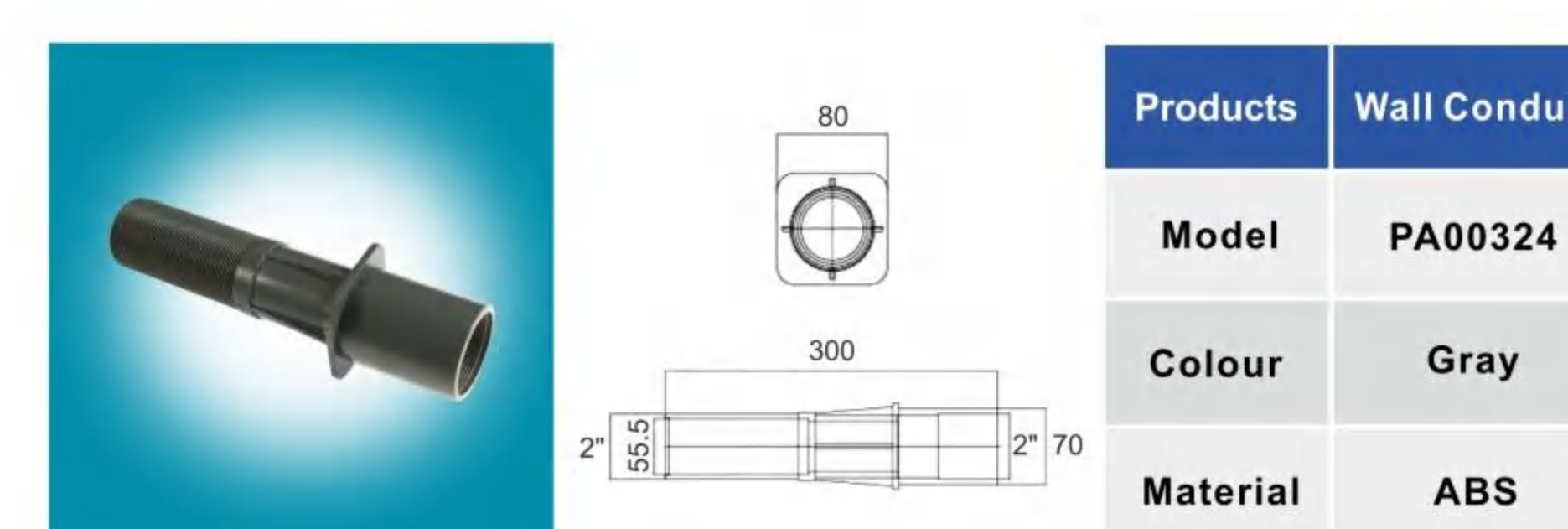
Products	Wide Mouth Skimmer
Model	PA00252C
Colour	White
Material	ABS



Products	Wide Mouth Skimmers
Model	PA00250V
Colour	White
Material	ABS



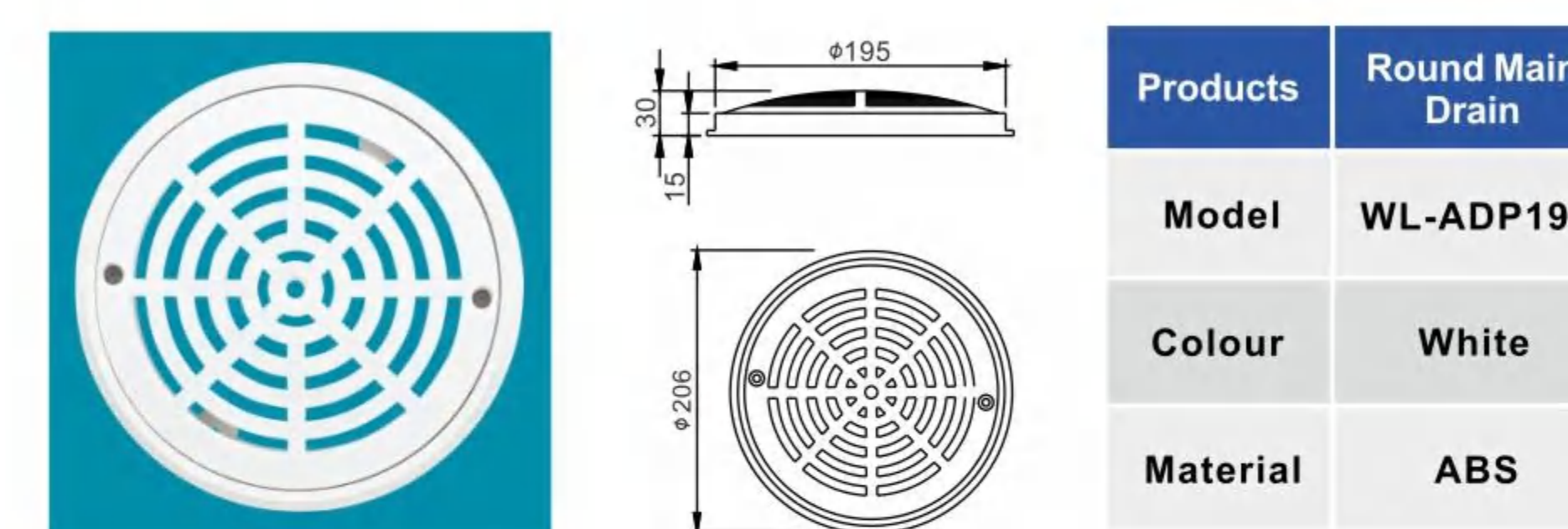
Products	Wide Mouth Skimmer
Model	PA00252.1V
Colour	White
Material	ABS



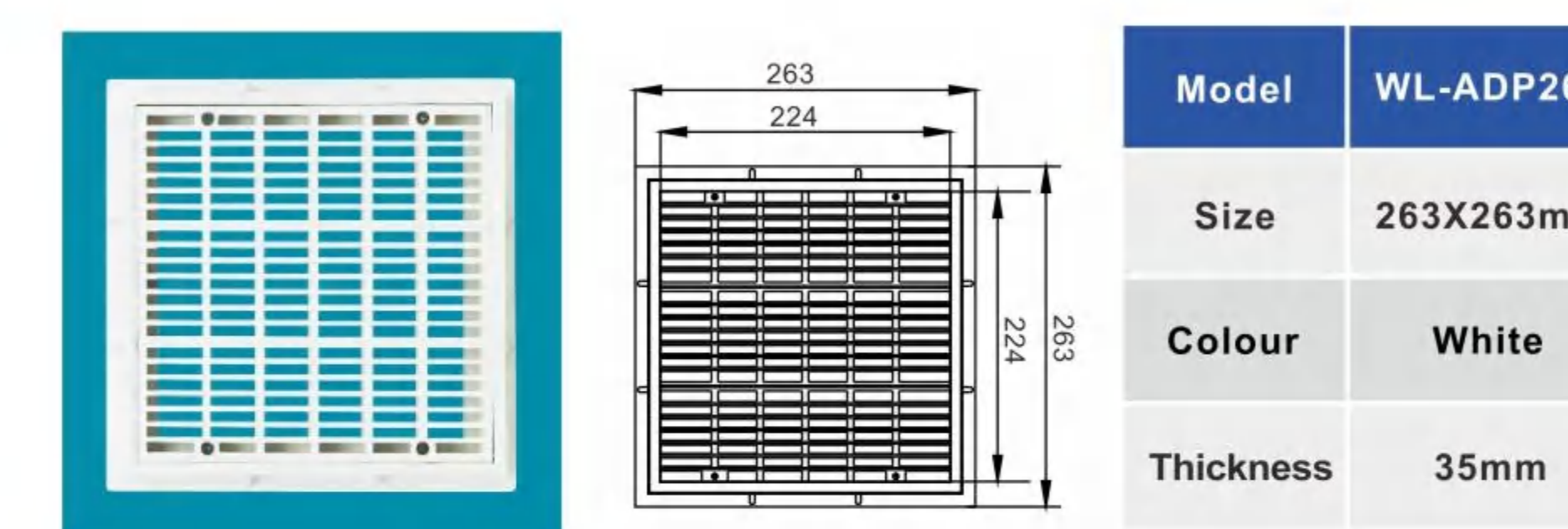
Products	Wall Conduit
Model	PA00324
Colour	Gray
Material	ABS

MAIN DRAINS

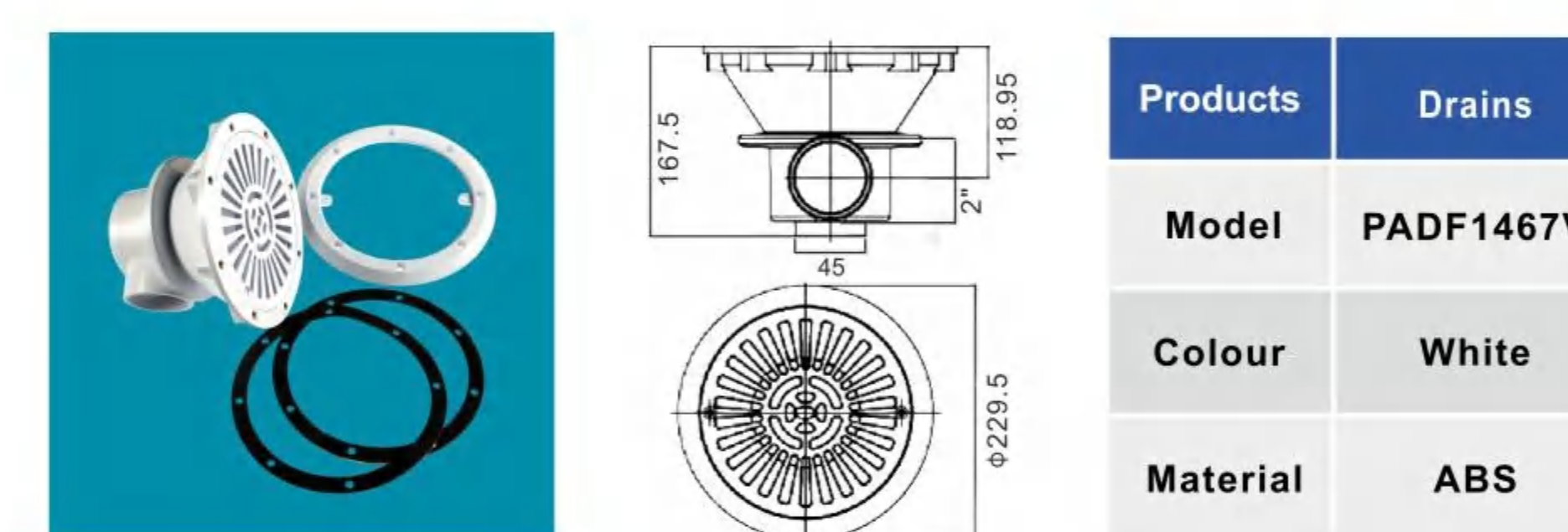
The main drains are available in a wide range of styles and sizes to satisfy any installation requirement of any concrete residential or commercial pools. These main drains are injection-molded of ABS, which resists chemical attack.



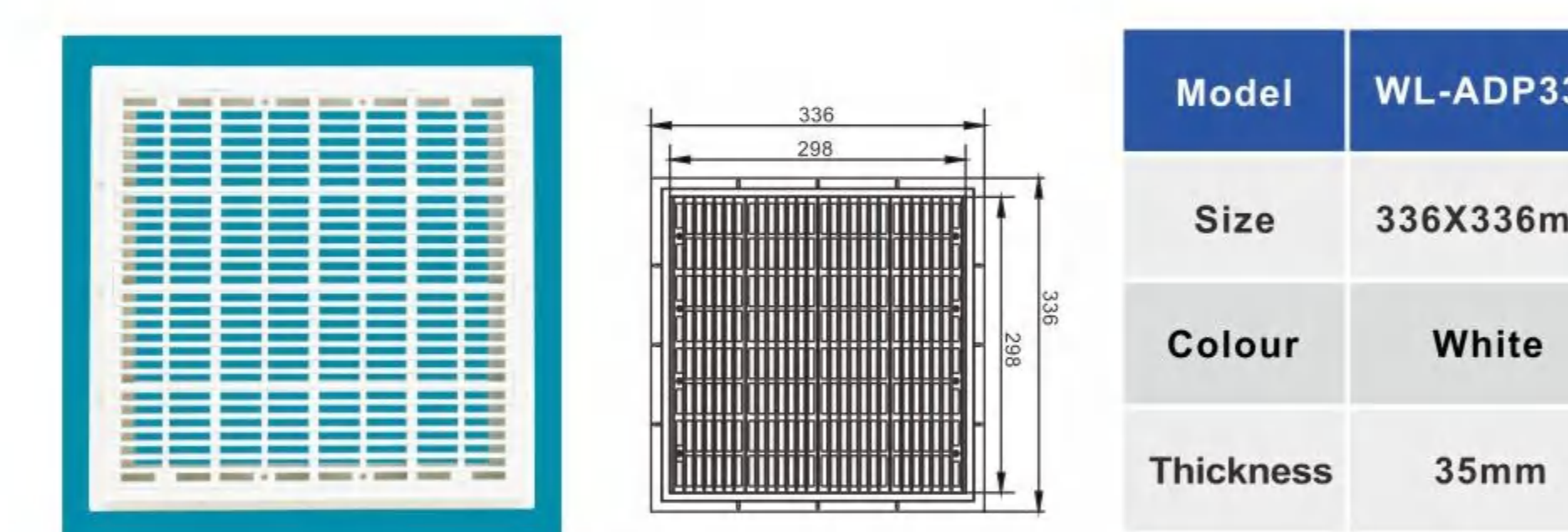
Products	Round Main Drain
Model	WL-ADP197
Colour	White
Material	ABS



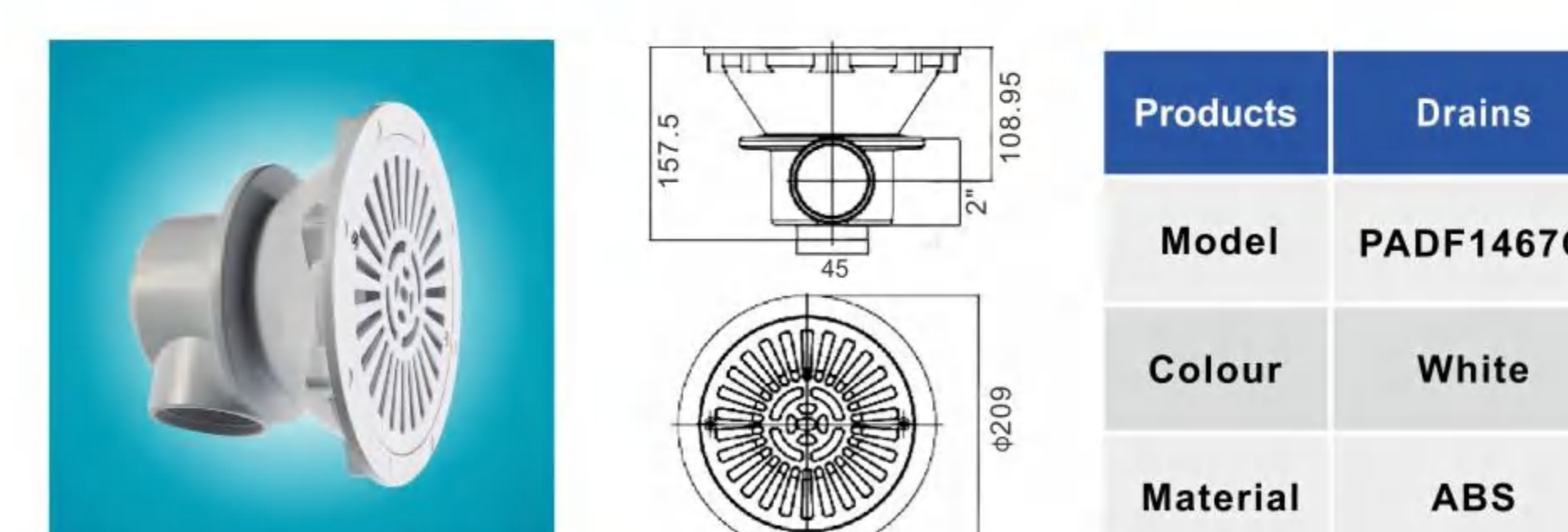
Model	WL-ADP263
Size	263X263mm
Colour	White
Thickness	35mm



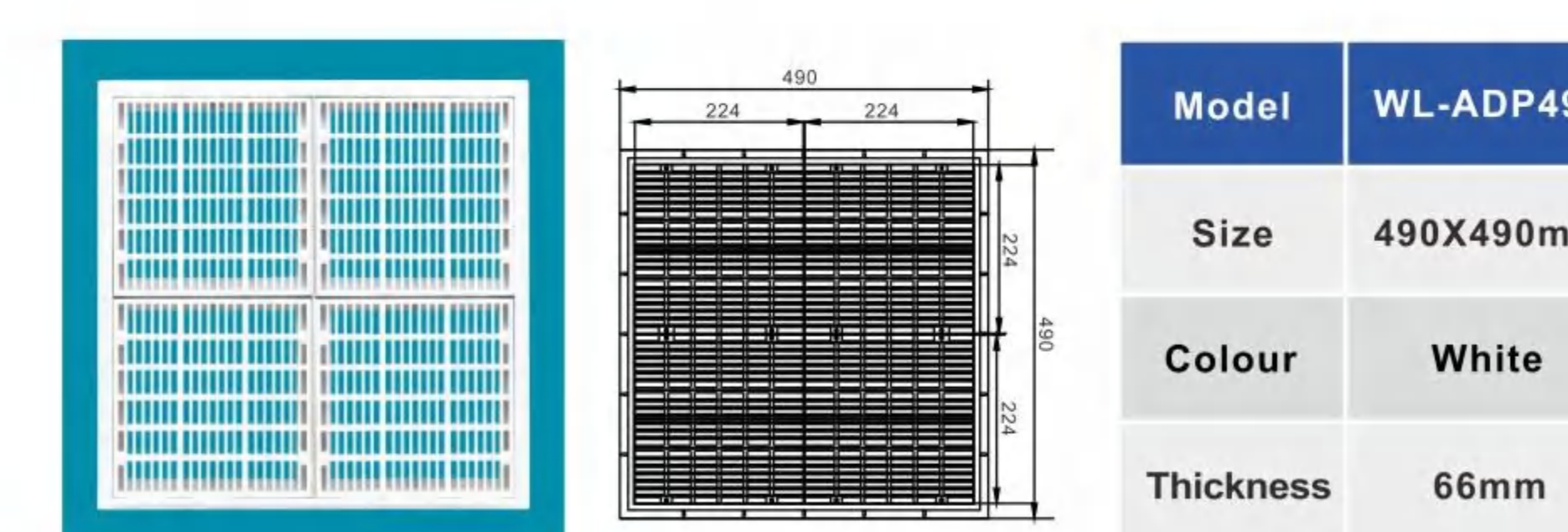
Products	Drains
Model	PADF1467V
Colour	White
Material	ABS



Model	WL-ADP336
Size	336X336mm
Colour	White
Thickness	35mm



Products	Drains
Model	PADF1467C
Colour	White
Material	ABS

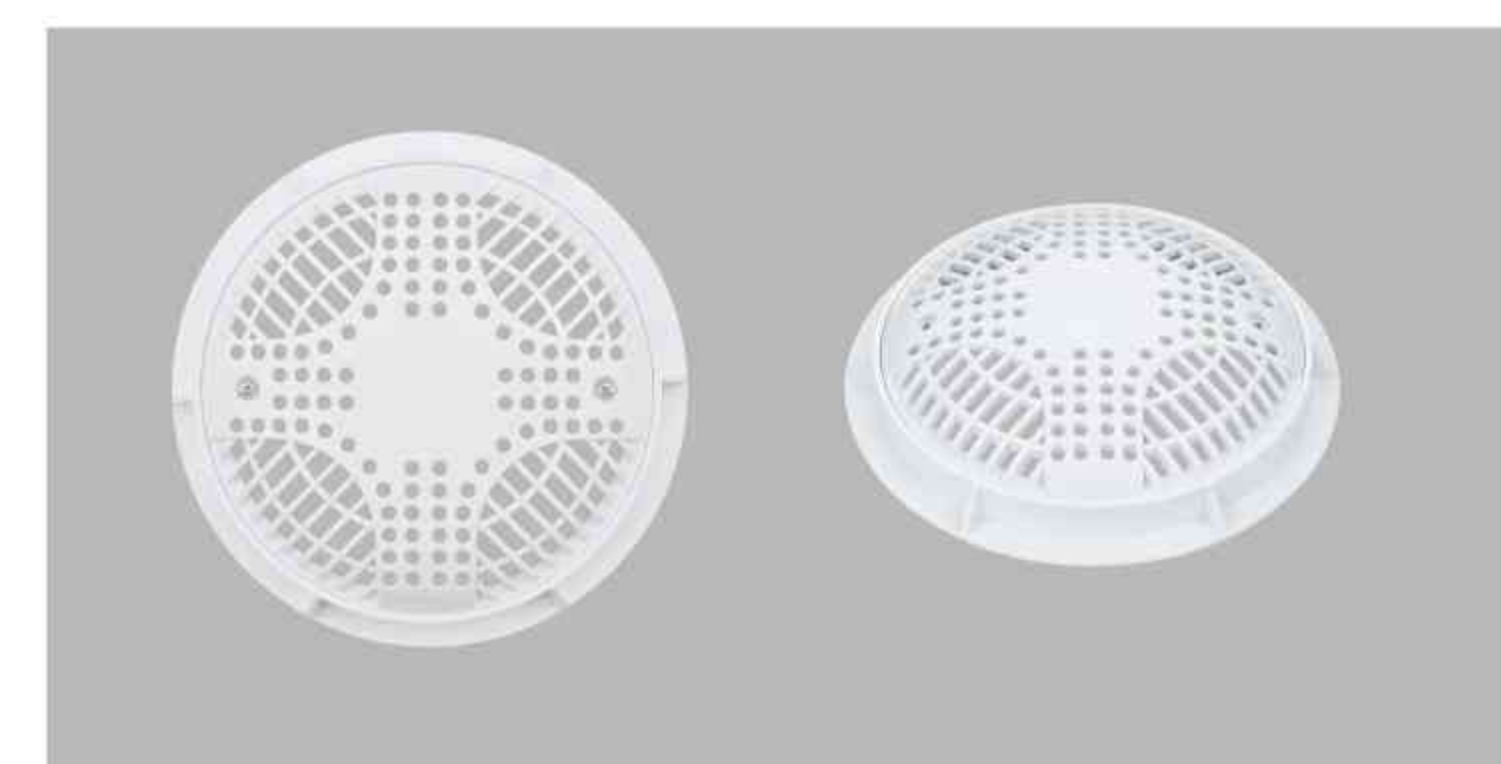
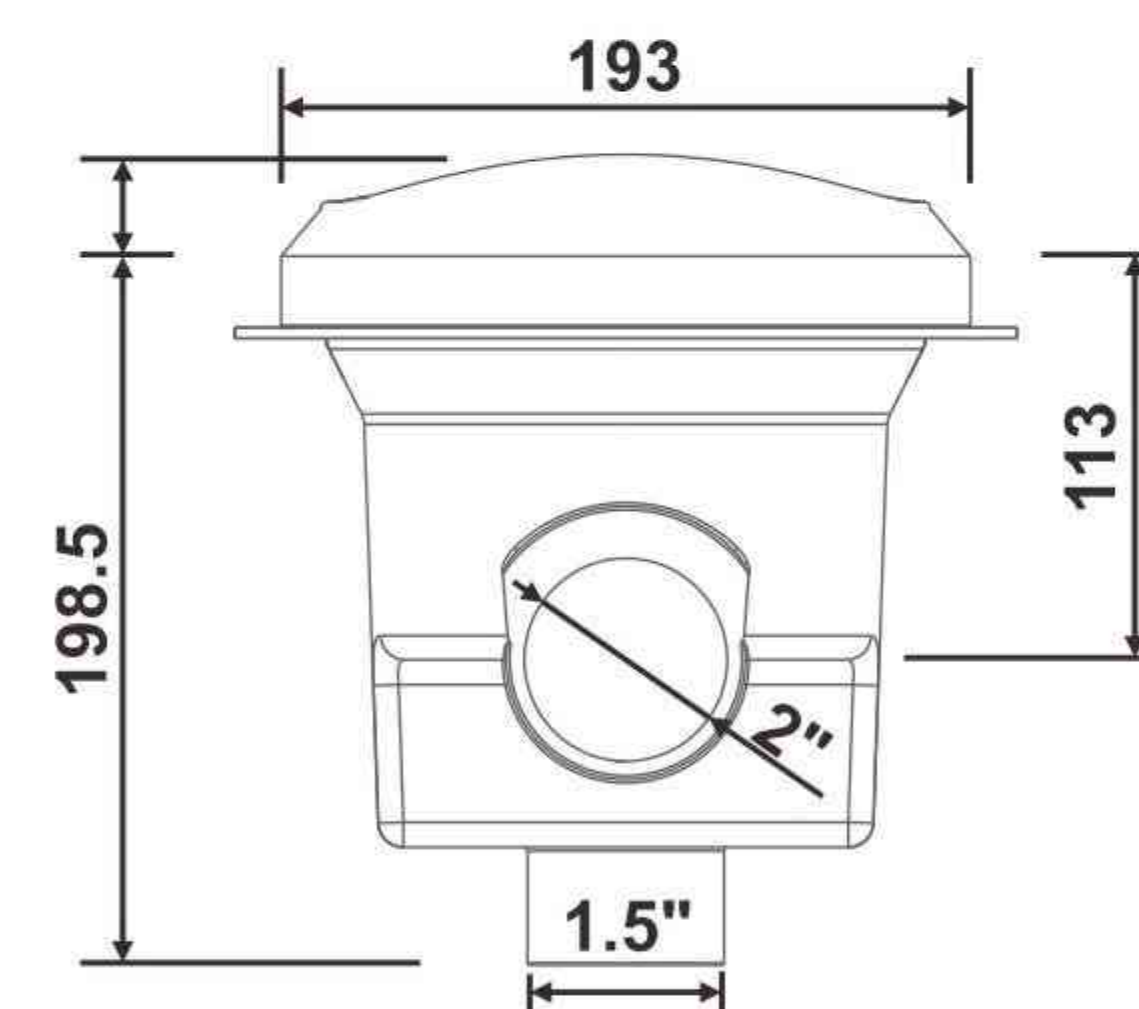
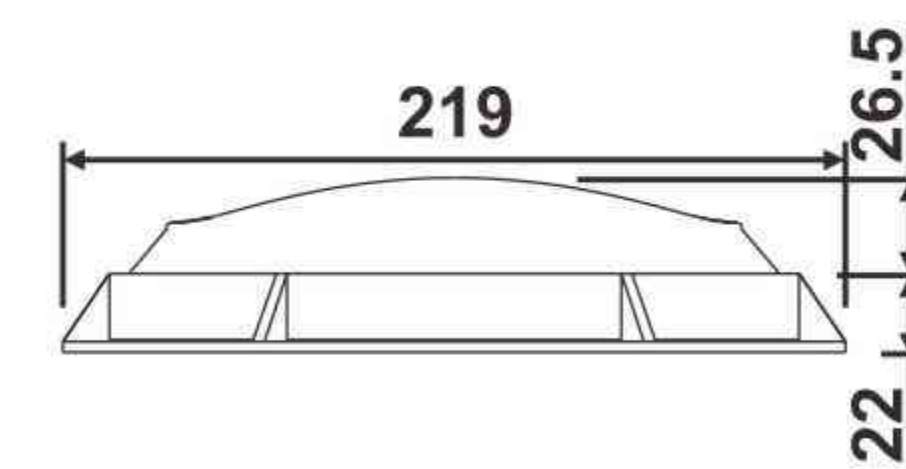
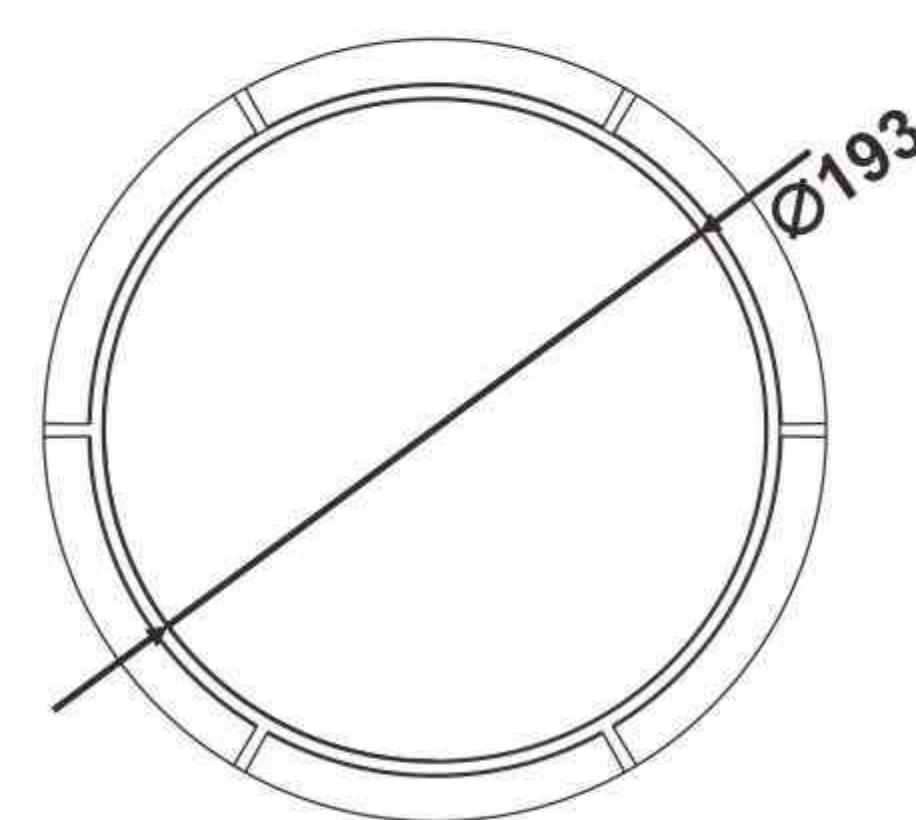


Model	WL-ADP490
Size	490X490mm
Colour	White
Thickness	66mm

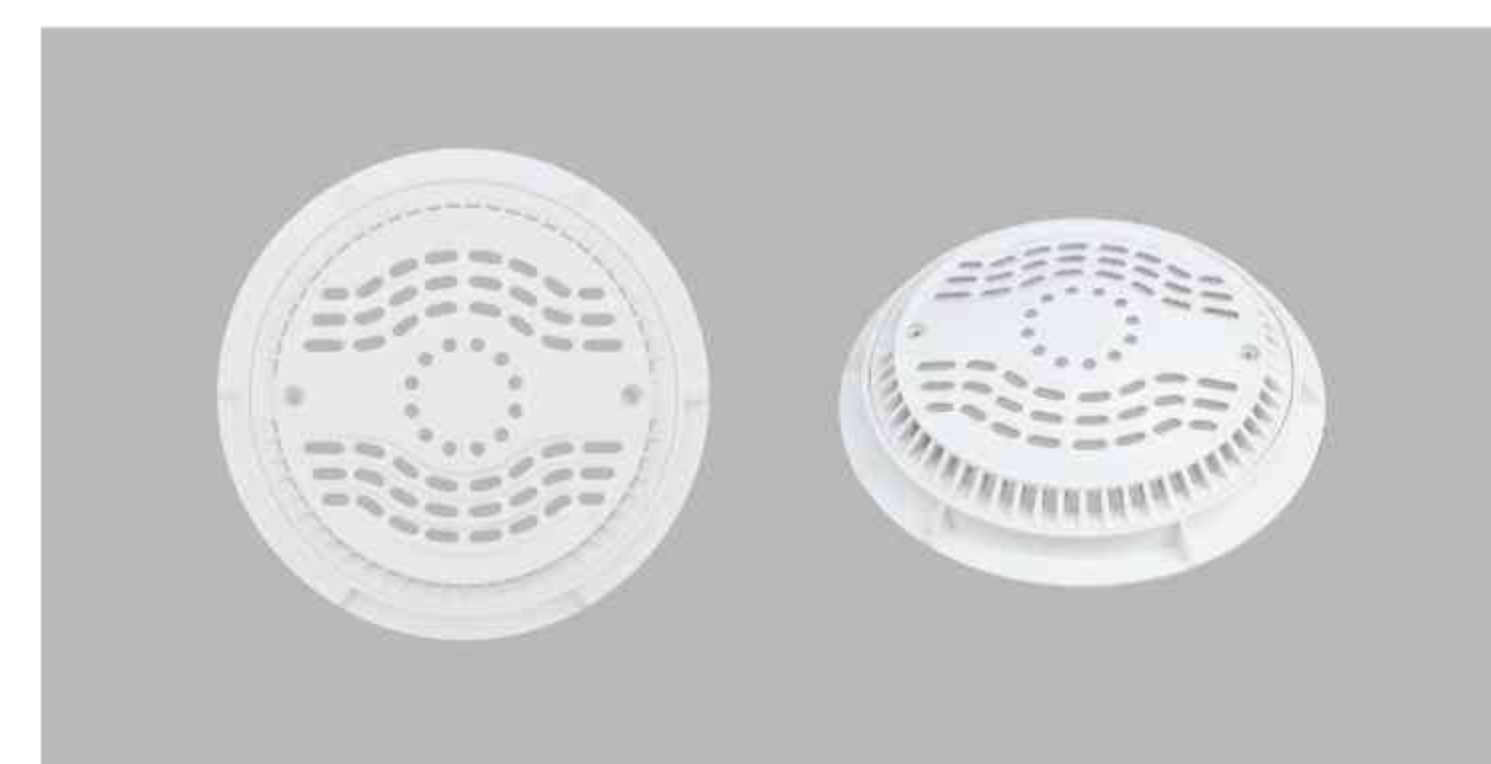
ANTI-SUCTION MAIN DRAINS POOL FITTINGS & CLEANERS

Features:

- Curved surface design, anti-suction.
- UV-resistant, corrosion resistant, not easy to fade, longer life time.
- Meets various flow rate requirements.



WL-JDP200AL



WL-JDP200BL



WL-JDP200AH



WL-JDP200BH

Model	Specification	Outlet	Cover Dia. (mm)	Height	Material	Max Flow Rate (m ³ /h)
WL-JDP200AL	cover + frame	—	193	22	ABS	33.5
WL-JDP200AH	cover+ body	side 2 bottom1.5"	193	198.5	ABS	33.5
WL-JDP200BL	cover + frame	—	193	22	ABS	33.5
WL-JDP200BH	cover+ body	side 2 bottom1.5"	193	198.5	ABS	33.5

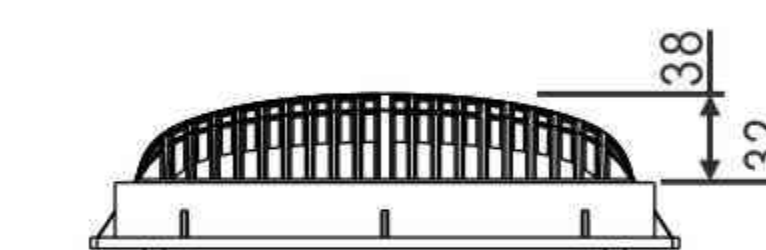
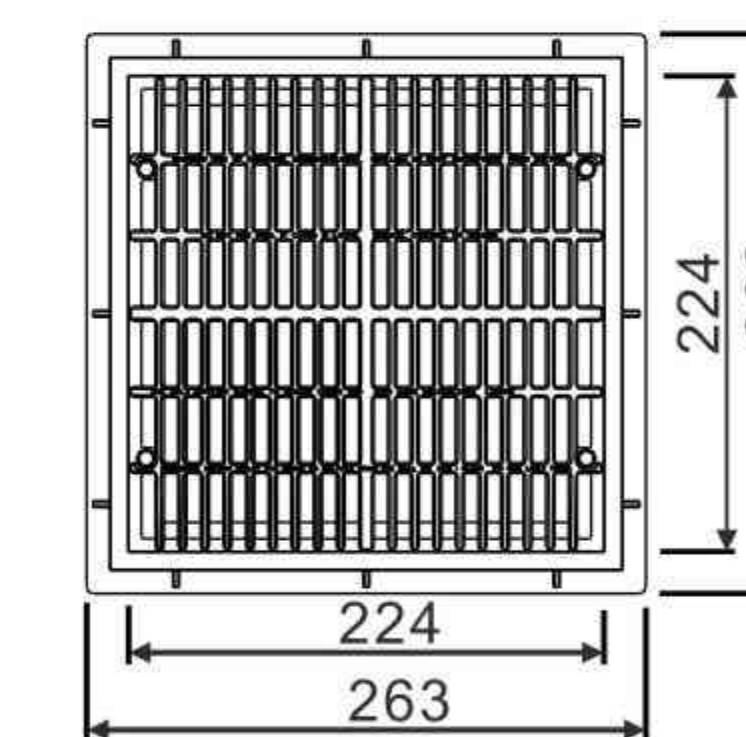
ANTI-SUCTION MAIN DRAINS POOL FITTINGS & CLEANERS

Features:

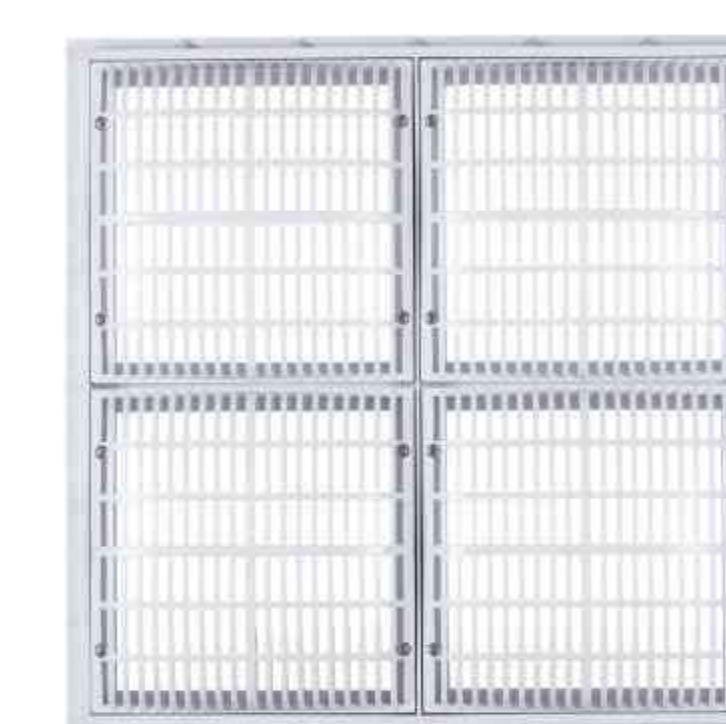
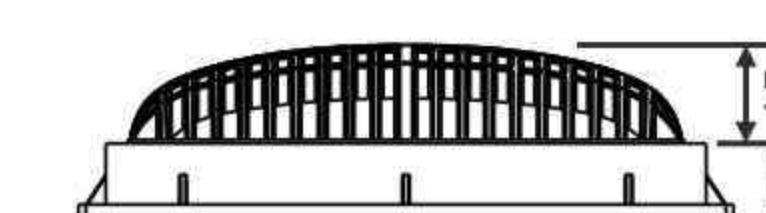
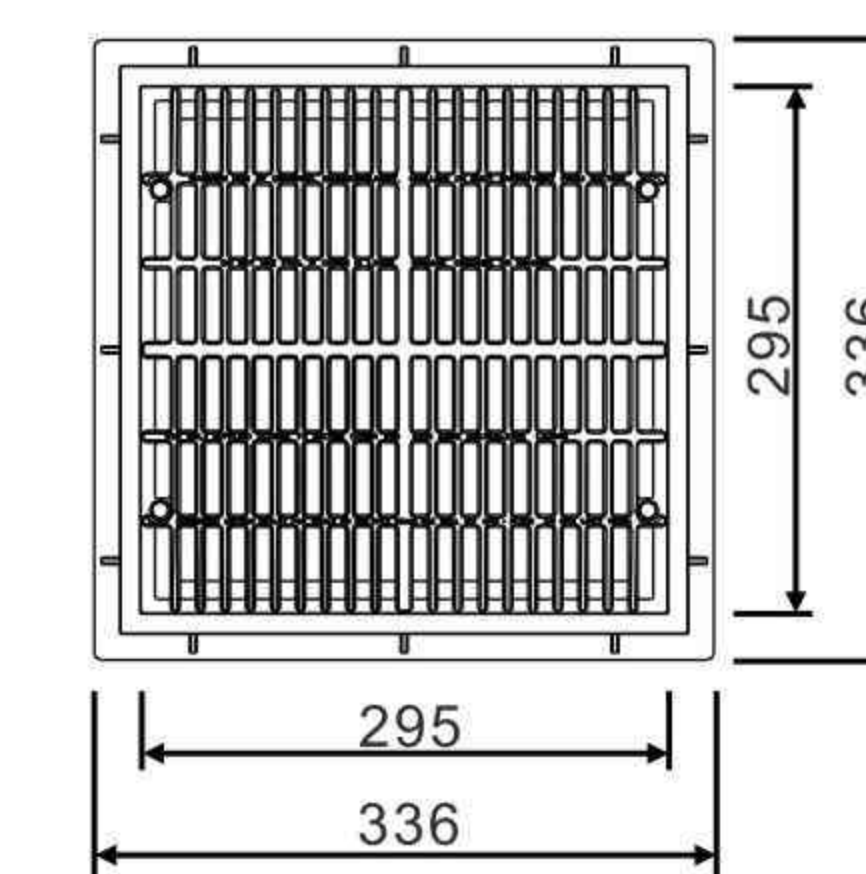
- Curved surface design, anti-suction.
- Manufactured from UV- resistant engineered polymers.
- Used in new construction or to retrofit into existing Laswim frames.
- Meets various flow rate requirements.



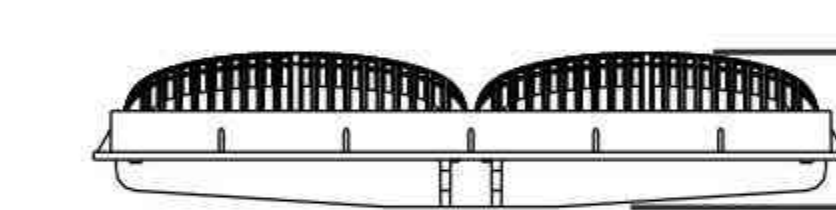
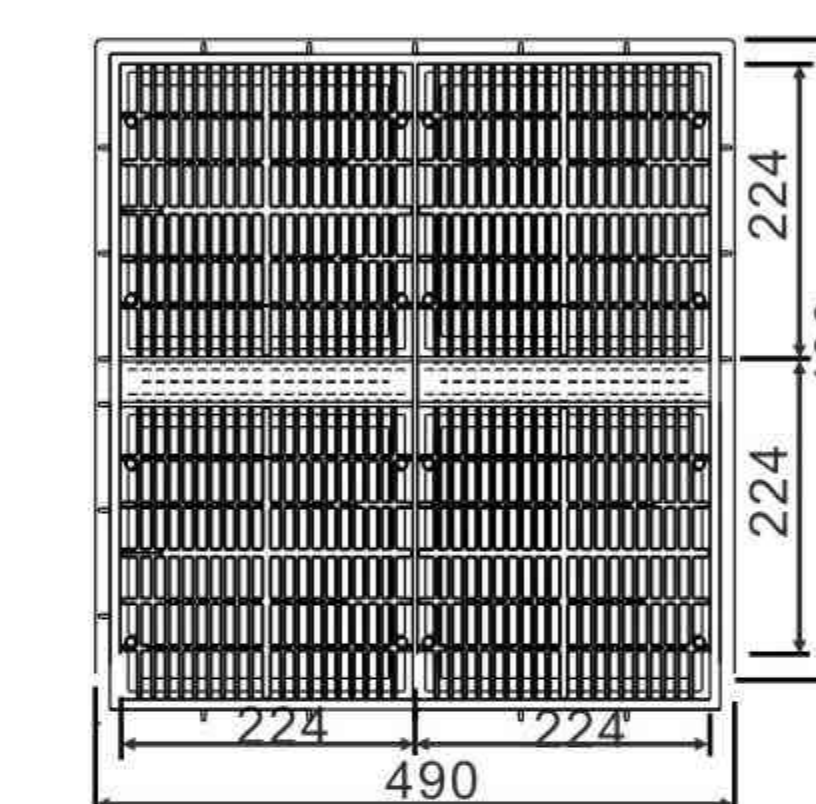
WL-FDP9"



WL-FDP12"



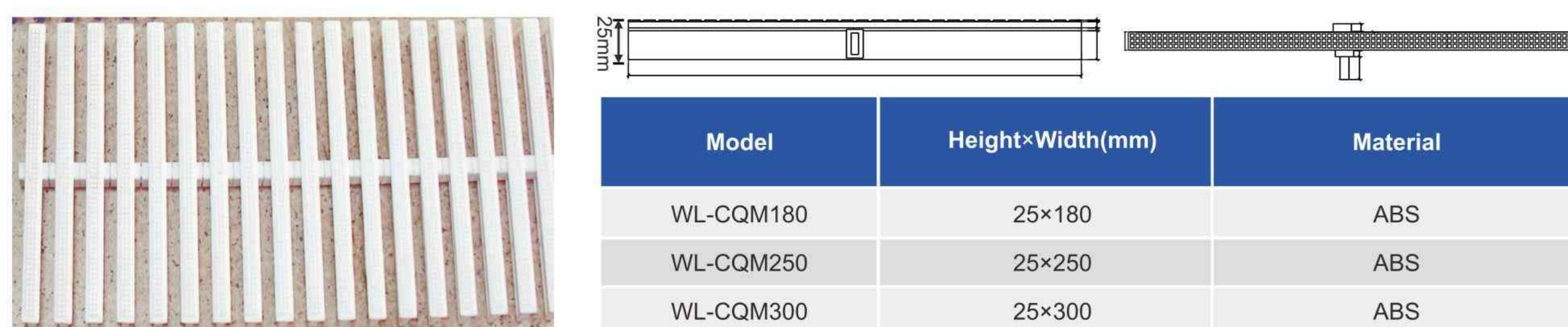
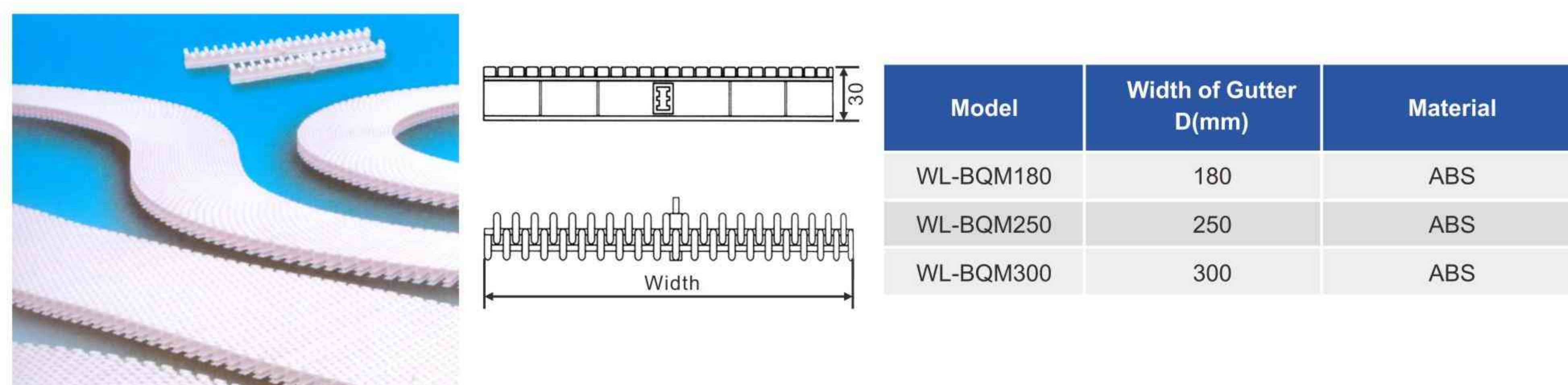
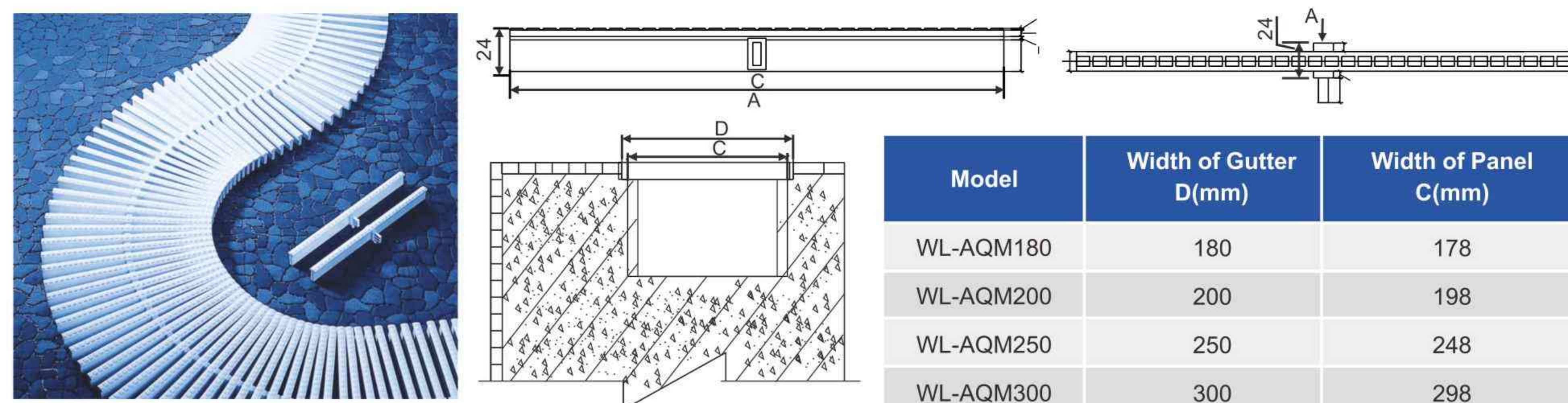
WL-FDP18"



Model	Size (inch/ mm)	Thickness (mm)	Material	Design Flow (m ³ /h)
WL-FDP9"	9" x 9" 263mm x263mm	70	ABS	23
WL-FDP12"	12" x 12" 336mm x336mm	78	ABS	88
WL-FDP18"	18" x 18" 490mm x490mm	100	ABS	93

GUTTER GRATINGS POOL FITTINGS & CLEANERS

Gutter grating is molded in white UV resistant ABS. Top of grating features an anti-slip finish and it is composed of individual units connecting along a central spine. This design allows for easier installation without the need for cutting also allowing the grating to curve as necessary.



SAFETY CHECK VALVE POOL FITTINGS & CLEANERS

Safety check valve is an essential accessory for circulating pumps. Its main function is to avoid damaging the impeller when pump stops working.

LASWIM safety check valve is specially designed for swimming pool and spa and it relies on the flow of the liquid itself to turn on and turn off the seal baffle automatically, then form the directional flow of the liquid. It ensures the directional flow of water from swimming pool and spa and prevents water from backflow.

Features:

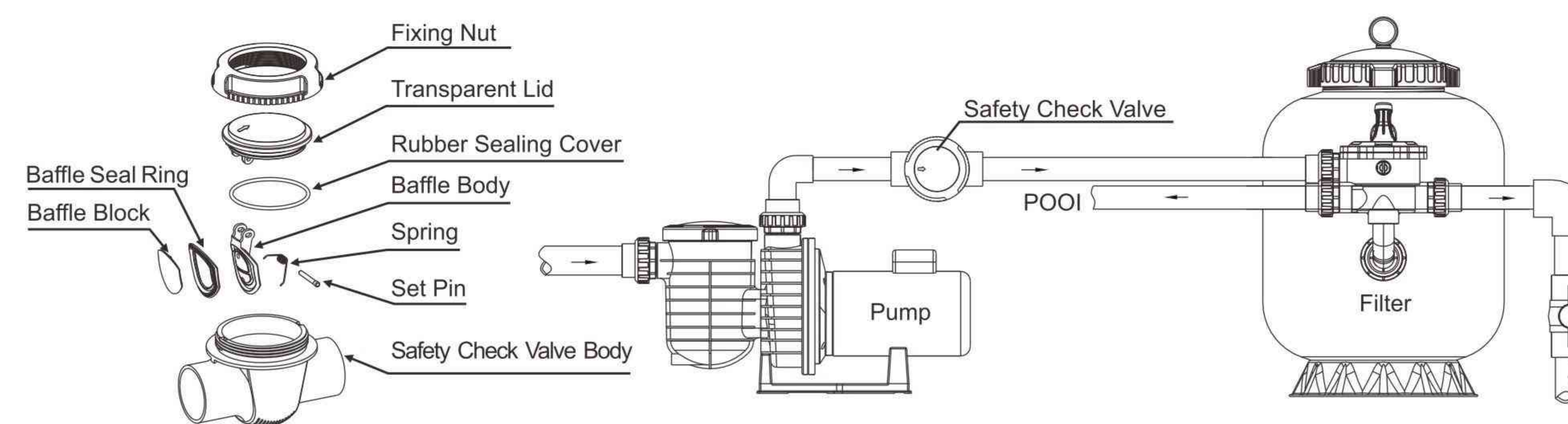
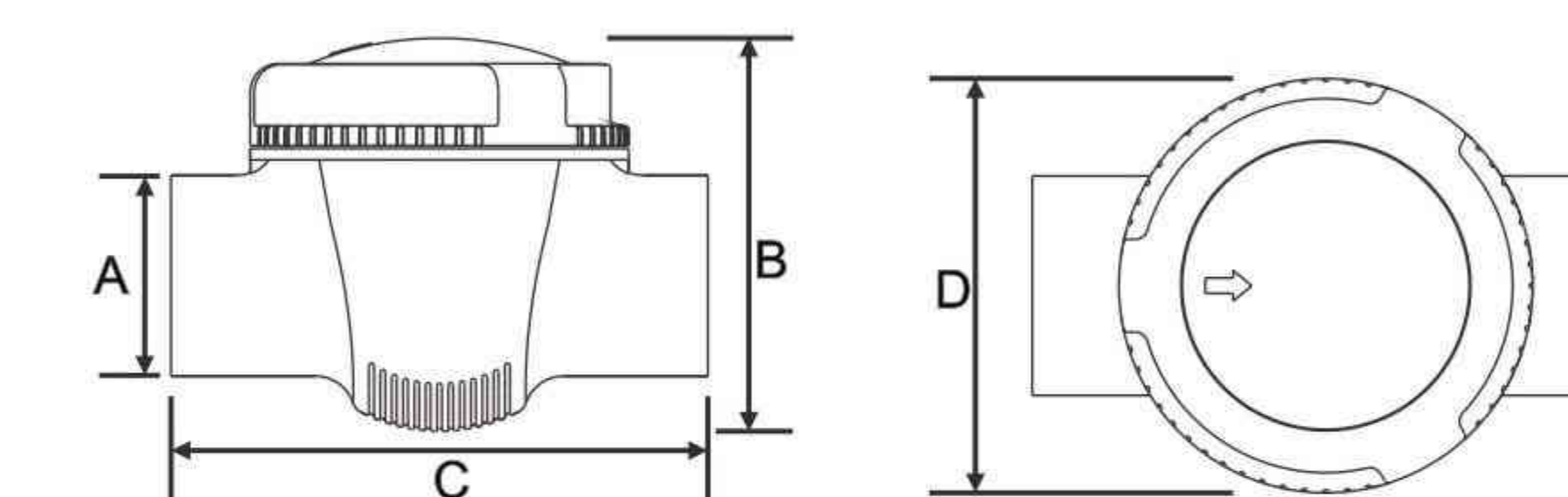
- Transparent lid, convenient to watch flow direction of water.
- Seal baffle and stainless steel spring with numerous tests ensure high performance and reliable quality.
- Being made of high quality engineering plastics, our Safety check valve is in high temperature resistance and corrosion resistance, which can adapt to acidic or alkaline fluid in temperature 5-50°C.
- Safety check valve in metric or imperial is optional, facilitating the installation.



WL-DZF50A/B

DZF series Safety Check Valve has two models
model A: 2" model B: Φ63mm

Model	A	B	C	D
DZF50-A	Φ2"	139	190	Φ134
DZF50-B	Φ63	139	190	Φ134



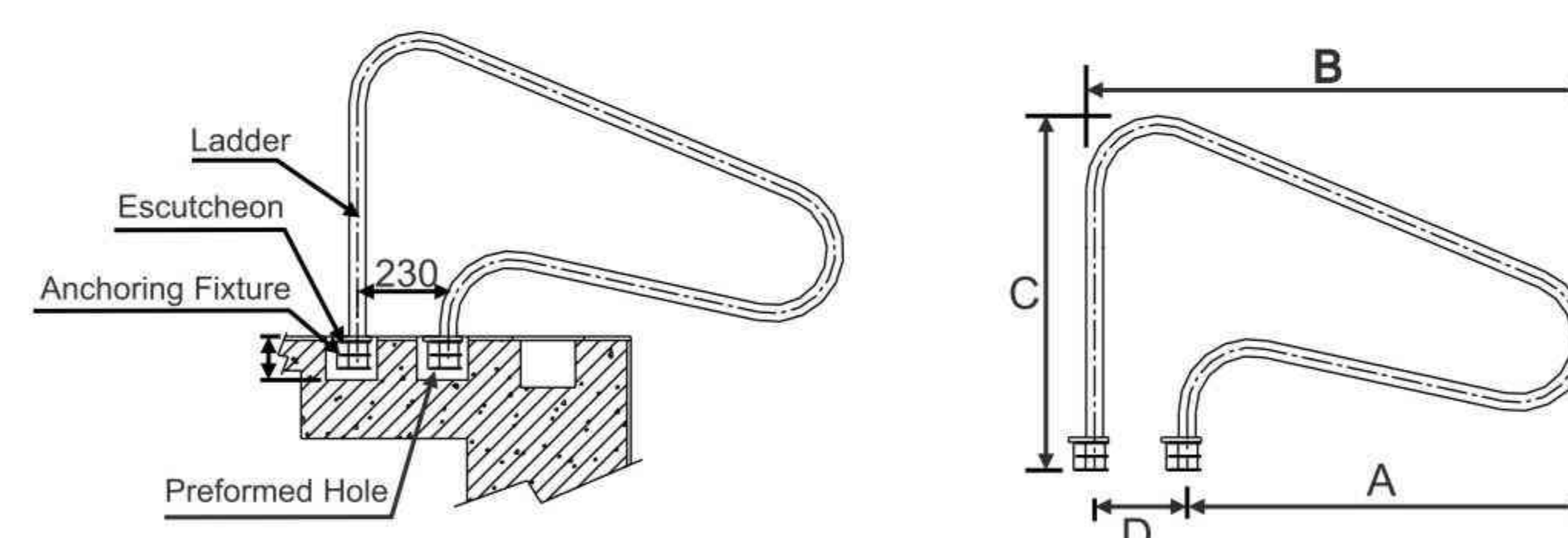
WL-DZF Series Exploded Drawing And Installation Diagram

LADDERS

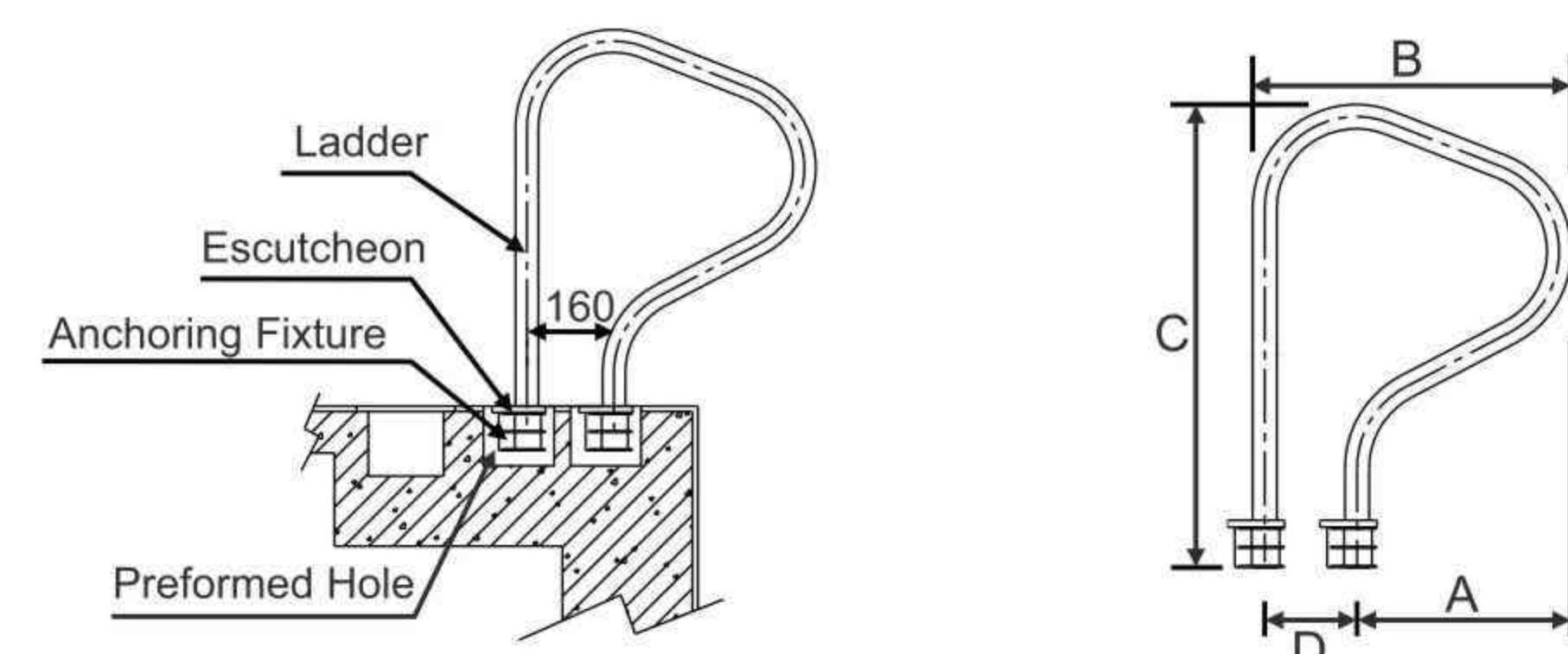
POOL FITTINGS & CLEANERS

1. Grab Rails and Anchor Sockets

Closed rail design and constructed with polished Stainless Steel and Anchor Socket .

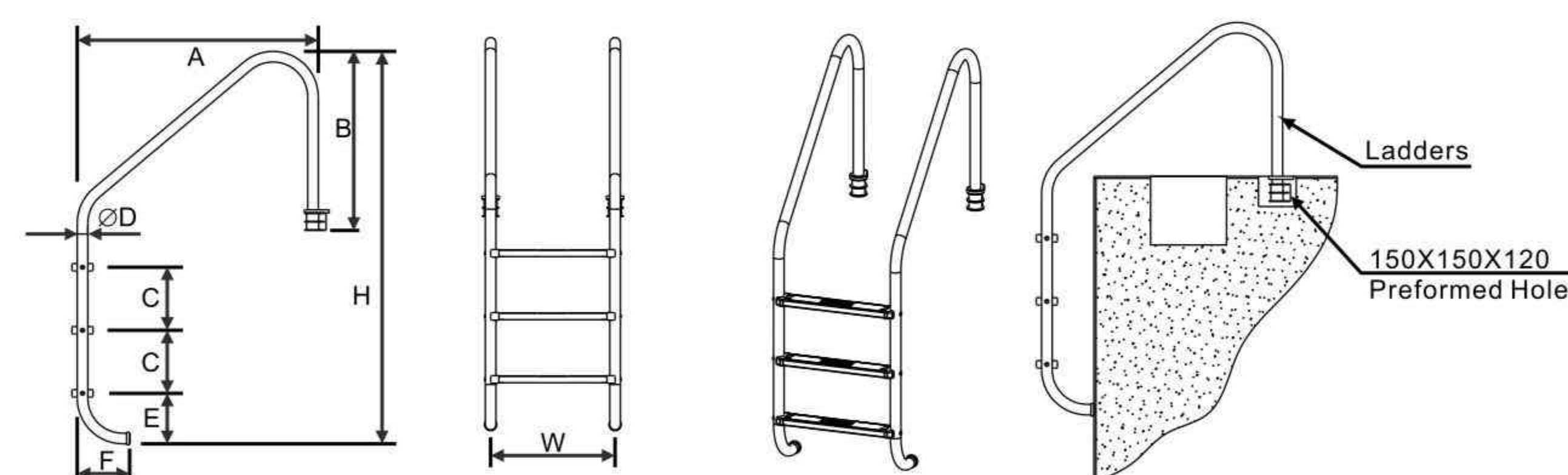


Model	A (mm)	B (mm)	C (mm)	D (mm)	Specification
WL-SRG	1000	1250	880	230	φ42



Model	A (mm)	B (mm)	C (mm)	D (mm)	Specification
WL-SRB	375	555	805	160	φ42

2. Ladder For Overflow Pool

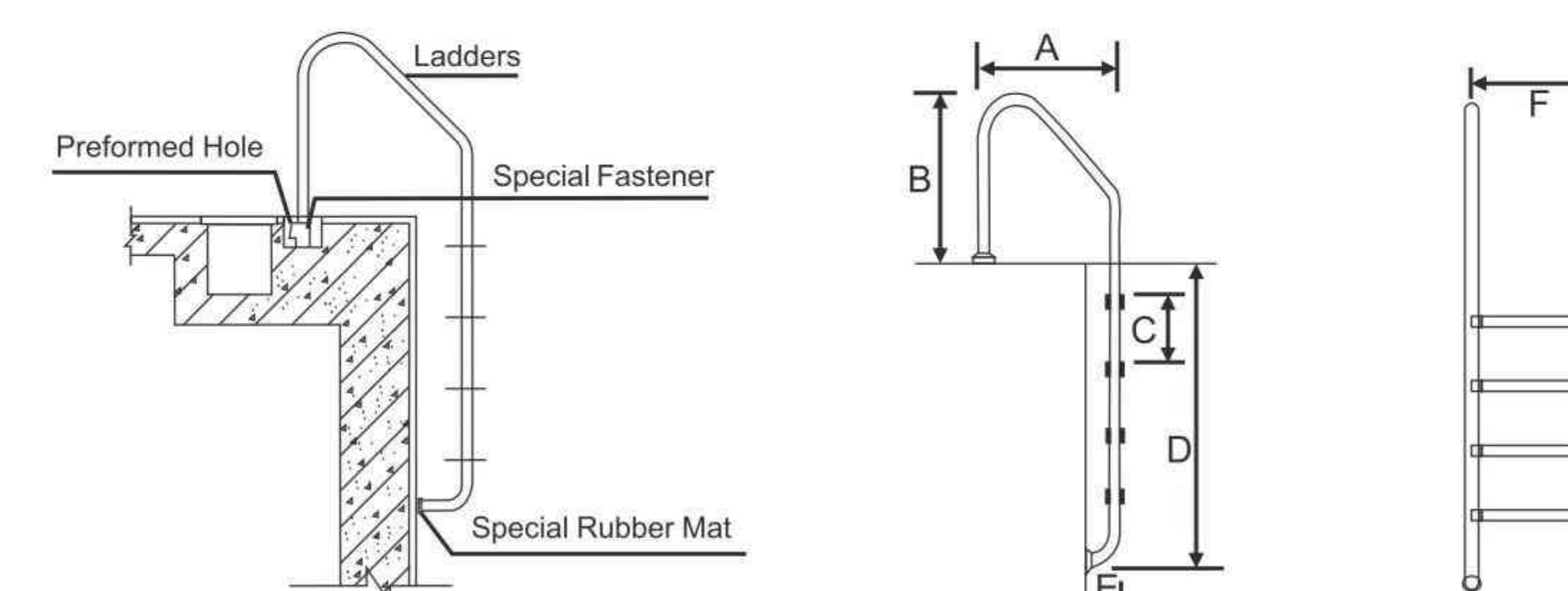


Model	A (mm)	B (mm)	C (mm)	∅D (mm)	E (mm)	F (mm)	H (mm)	W (mm)
WL-KFT202	957	710	250	42	200	208	1306	500
WL-KFT203	957	710	250	42	200	208	1556	500
WL-KFT204	957	710	250	42	200	208	1806	500
WL-KFT205	957	710	250	42	200	208	2056	500

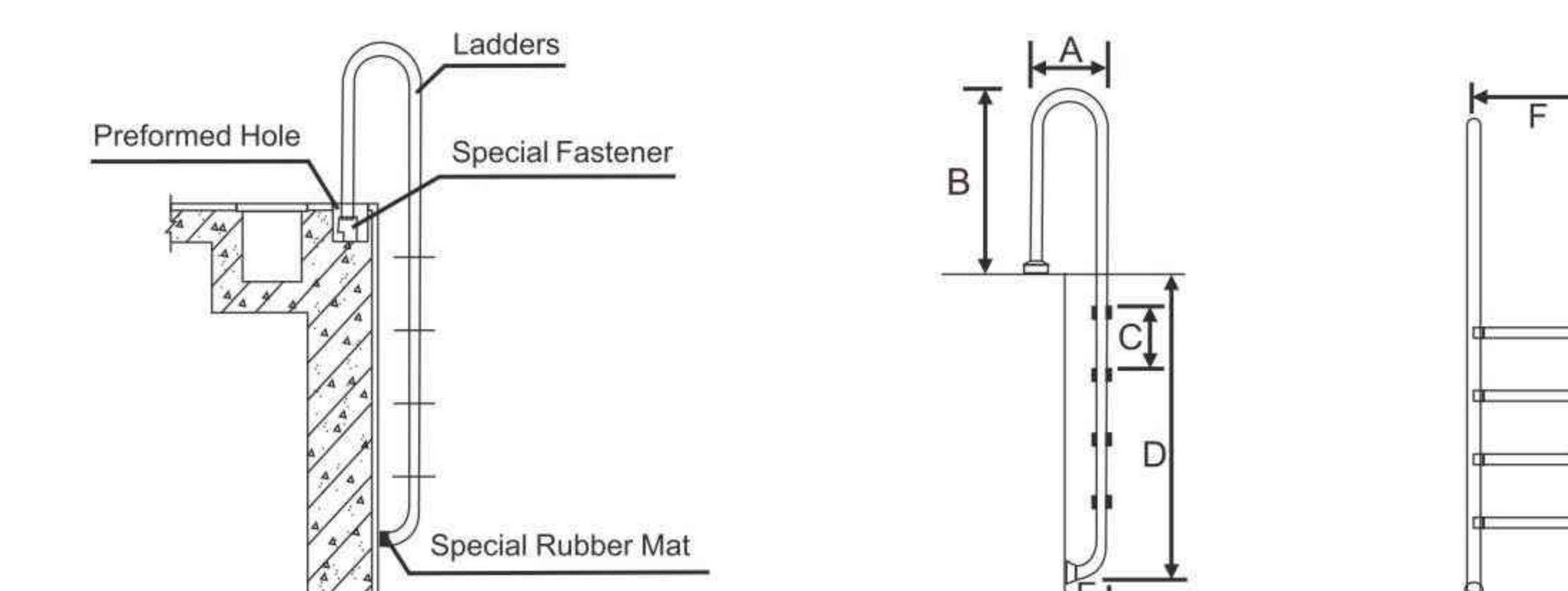
LADDERS

POOL FITTINGS & CLEANERS

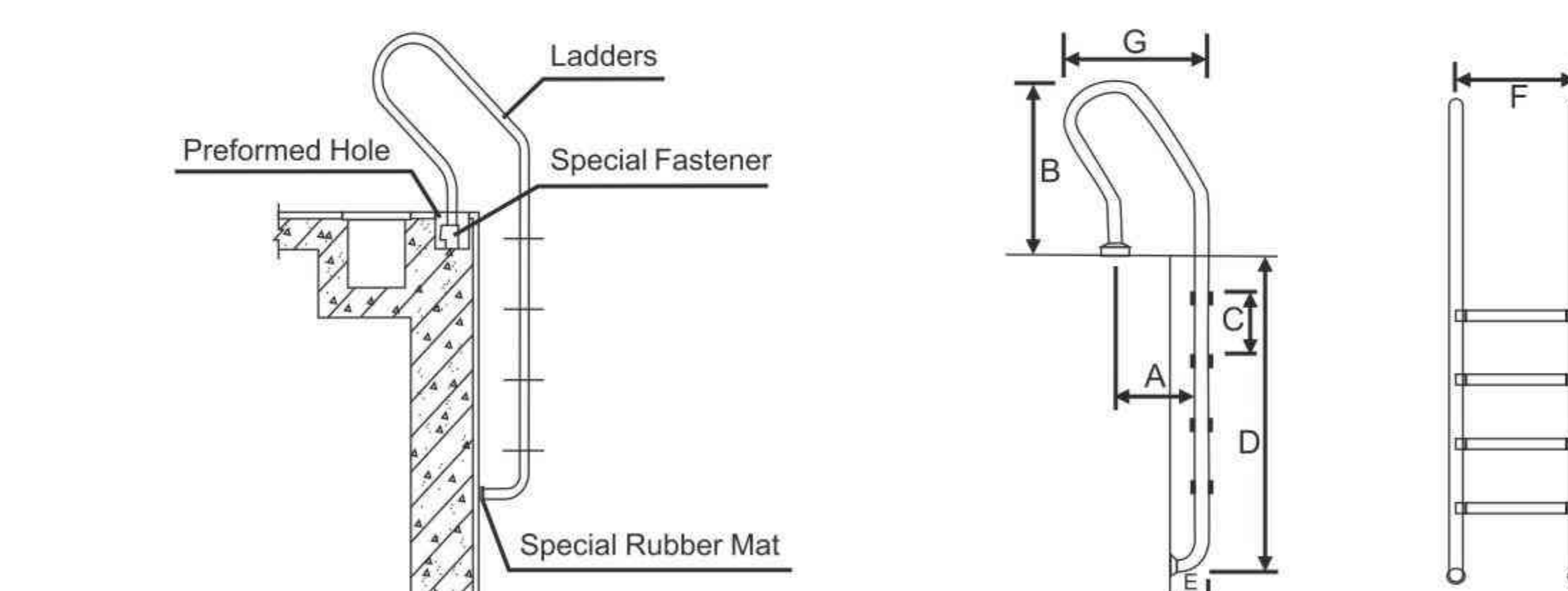
3. Ladders for embedded pools. Handrails in hand polished stainless steel pipe. Steps in stainless steel and anti-slip. Complete with anchoring fixtures and earth connection. Easy installation (with diameter 42mm) .



Model	A (mm)	B (mm)	C (mm)	D (mm)	E (mm)	F (mm)	Specification
WL-SL202	592	700	250	600	180	500	φ42
WL-SL203	592	700	250	850	180	500	
WL-SL204	592	700	250	1100	180	500	
WL-SL205	592	700	250	1350	180	500	



Model	A (mm)	B (mm)	C (mm)	D (mm)	E (mm)	F (mm)	Specification
WL-MC202	314	700	250	600	180	500	φ42
WL-MC203	314	700	250	850	180	500	
WL-MC204	314	700	250	1100	180	500	
WL-MC205	314	700	250	1350	180	500	



Model	A (mm)	B (mm)	C (mm)	D (mm)	E (mm)	F (mm)	G (mm)	Specification
WL-SF202	280	700	250	600	180	500	592	φ42
WL-SF203	280	700	250	850	180	500	592	
WL-SF204	280	700	250	1100	180	500	592	
WL-SF205	280	700	250	1350	180	500	592	



POOL FITTINGS & CLEANERS

VACUUM HEADS & JET VACS

 Model: 1002 Economy liner Vac Head	 Model: 1005 Deluxe large vac. Head cast iron weighted w/side brush	 Model: 1001 Deluxe liner Vac. Head with bumper(cast iron weighted)	 Model: 1003 Triangular liner vac head w/ swivel	 Model: 1004 Deluxe triangular transparent cast iron weighted vac head
 Model: 1007 14" Flexible vacuum head for in-ground pool	 Model: 1008 14" Flexible vacuum head w/ side brush for in-ground pool	 Model: 1010 14" Flexible Vac head with Pressure release and EZ-Clip	 Model: 1011 14" Vac head with 4 wheels, Alu body, plastic handle(34.5" x13cm)	 Model: 1012 18" Deluxe large Vac head, 4 wheels, Alu body, plastic handle(44.5" x13cm)
 Model: 1101 Economy jet vacuum w/brush for small above ground pool	 Model: 1103 Jet vac kit w/ 5 section pole of 48"/120cm	 Model: 1105 Deluxe large Jet vac with brush for spa & splasher	 Model: 1104 Jet vac kit w/3 section pole of 52"/135cm	

BRUSHES

 Model: 1404 10"/26cm Hi-grade Stainless steel algae brush	 Model: 1405 18"/45cm Deluxe wall brush with aluminum back	 Model: 1403 18"/45cm Deluxe stainless steel algae brush w/ Alu back	 Model: 1401 18"/45cm standard curved polybristle wall brush	 Model: 1402 10"/26cm polybristle wall brush
 Model: 1409 Scrubber pad brush	 Model: 1410 Finger brush	 Model: 1408 Flexible brush w/ Alu handle EZ-clip and extra bristle	 Model: 1407 Water line scrub pad with detergent tank and EZ-clip	

CHEMICAL DISPENSERS & TEST KITS

 Model: 1503 7" Chemical dispenser for 3" tablets	 Model: 1501 9" Deluxe large chemical dispenser for 3" tablets	 Model: 1505 5" Chemical dispenser for 1 1/2" tablets	 Model: 1907 Basic PH &CL test kit	 Model: 1908 Test kit refill bottle (20 C.C.)
--	--	---	---	---

POOL FITTINGS & CLEANERS

LEAF SKIMMERS

 Model: 1301 Standard leaf skimmer	 Model: 1302 Heavy duty Plastic leaf skimmer w/ long wearing mesh	 Model: 1303 Aluminum leaf skimmer (blue anodized handle)	 Model: 1305 Professional heavy duty aluminum leaf skimmer	 Model: 1306 Leaf skimmer with aluminum frame and plastic handle
 Model: 1201 Economy deep dag skimmer	 Model: 1202 Economy deep bag skimmer with aluminum handle	 Model: 1203 Aluminum frame deep rake (Blue anodized handle)	 Model: 1204 Heavy duty plastic leaf rake with long wearing mesh	 Model: 1205 Professional heavy duty deep rake w/aluminum frame
 Model: 1307 Leaf skimmer w/aluminum pole of 48"-122cm in 5 section	 Model: 1310 Leaf skimmer w/ 60"- 150cm aluminum pole	 Model: 1309 Leaf skimmer w/ 48"- 122cm aluminum pole	 Model: 1308 Leaf skimmer with 3X14"-35cm telescopic pole	

HOSE

HOSE



Model	Description
WL-BXG01	Extruded PE. ϕ 1 1/2" - 7M
WL-BXG02	Extruded PE. ϕ 1 1/2" - 9M
WL-BXG04	Extruded PE. ϕ 1 1/2" - 13M
WL-BXG05	Extruded PE. ϕ 1 1/2" - 15M
WL-BXG06	Extruded PE. ϕ 1 1/2" - 30M
WL-BXG07	Extruded PE. ϕ 1 1/2" - 50M

HOSE



Model	Description
3203	Vacuuhose ϕ 1/4" ; 1m persection-36m
3803	Vacuuhose ϕ 1/2" ; 1m persection-36m
3204	Vacuuhose ϕ 1/4" ; 1m persection-50m
3804	Vacuuhose ϕ 1/2" ; 1m persection-50m

HOSE












Model	Description
3206	Spiralwound EVA. ϕ 1 1/4" -6M
3209	Spiralwound EVA. ϕ 1 1/4" -9M
3212	Spiralwound EVA. ϕ 1 1/4" -12M
3809	Spiralwound EVA. ϕ 1 1/2" -9M
3811	Spiralwound EVA. ϕ 1 1/2" -11M
3813	Spiralwound EVA. ϕ 1 1/2" -13M
3815	Spiralwound EVA. ϕ 1 1/2" -15M

Telescopic Poles.
















Model	Description
2212	2X120 cm Ribbed pole-0.8mm thick
2224A	2X240 cm Ribbed pole-0.8mm thick
2312	3X120 cm Ribbed pole-0.8mm thick
2330A	3X300 cm Ribbed pole-0.8mm thick
2224B	2X240 cm Ribbed pole-1.1mm thick
2230	2X300 cm Ribbed pole-1.1mm thick
2330B	3X300 cm Ribbed pole-1.1mm thick

THERMOMETERS

 Model: 2908 Swivel Cuff for vacuum hose(1pc)	 Model: 1601 Economy thermometer	 Model: 1602 Large thermometer	 Model: 1603 Jim Buoy thermometer	 Model: 1605 Deluxe round thermometer
 Model: 1604 Deluxe floating thermometer with string attachment	 Model: 1607 Jumbo easy read thermometer	 Model: 1610 Floating animal thermometer in 4 styles	 Model: 1611 Floating cool pool animal thermometer in 3 styles	

FOUNTAINS & SPARE PARTS

 Model: 1708 Waterfall fountain	 Model: 1709 Flower waterfall fountain	 Model: 1725 Plastic pole hanger (2pcs) w/screws	 Model: 2902 Quick snap butterfly clips (4PCS)	 Model: 2021 Complete return inlet
 Model: 2901 Standard vacuum head handle	 Model: 2904 Replacement bag for Jet Vac head	 Model: 3861 Hose Reel-carries vacuum hose up to 13m in length	 Model: 1809 Automatic pool cleaner 10pcs*100 cm/pchse included(standard)	 Model: 1811 Automatic pool cleaner 10pcs*100 cm/pc hoseincluded(standard)
 Model: 2903 Long lock pin for vacuum handle (4PCS)	 Model: 2905 NPT tie-in for American standard (2PCS)	 Model: 2906 BSPT tie-in for European standard (2PCS)		



Model	Description
1717	Above ground pool cover reel w/ABS frame for c. 3-1/4" & 1-1/2" tubes(not include AL pole)
2321	Pole for 8341, 3*2.1m (hexagonal)
2327	Pole for 8341, 3*2.7m (hexagonal)
2335	Pole for 8341, 3*3.55m (hexagonal)



Model	Description
1718	Above ground pool Solar Reel System(not include AL pole)
2321	Pole for 8342, 3X2.1M
2324	Pole for 8342, 3X2.44M



SMARTER WATER FOR A
SMARTER HOME

09

SWIM CURRENT MACHINE & FILTRATION UNITS



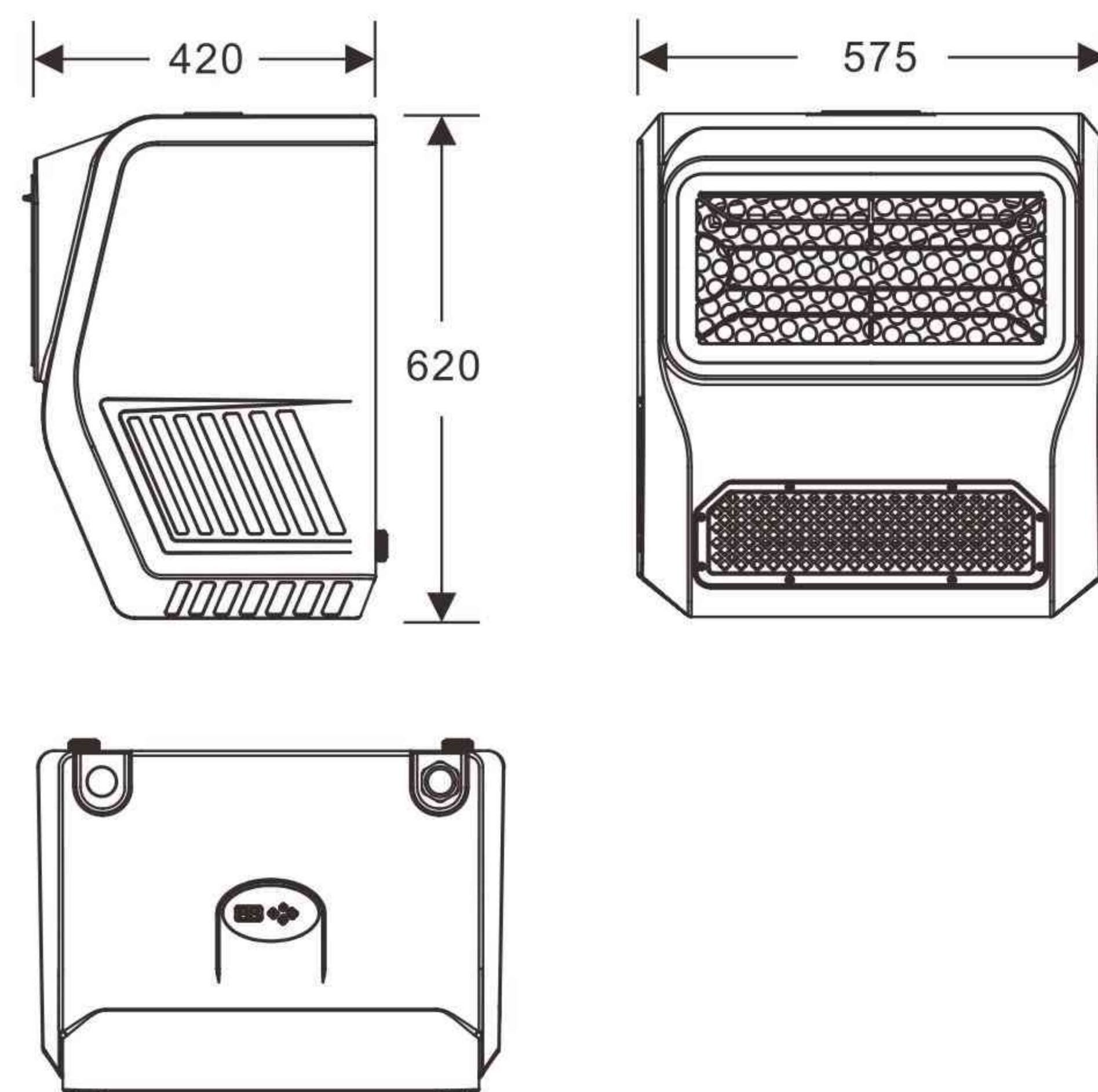
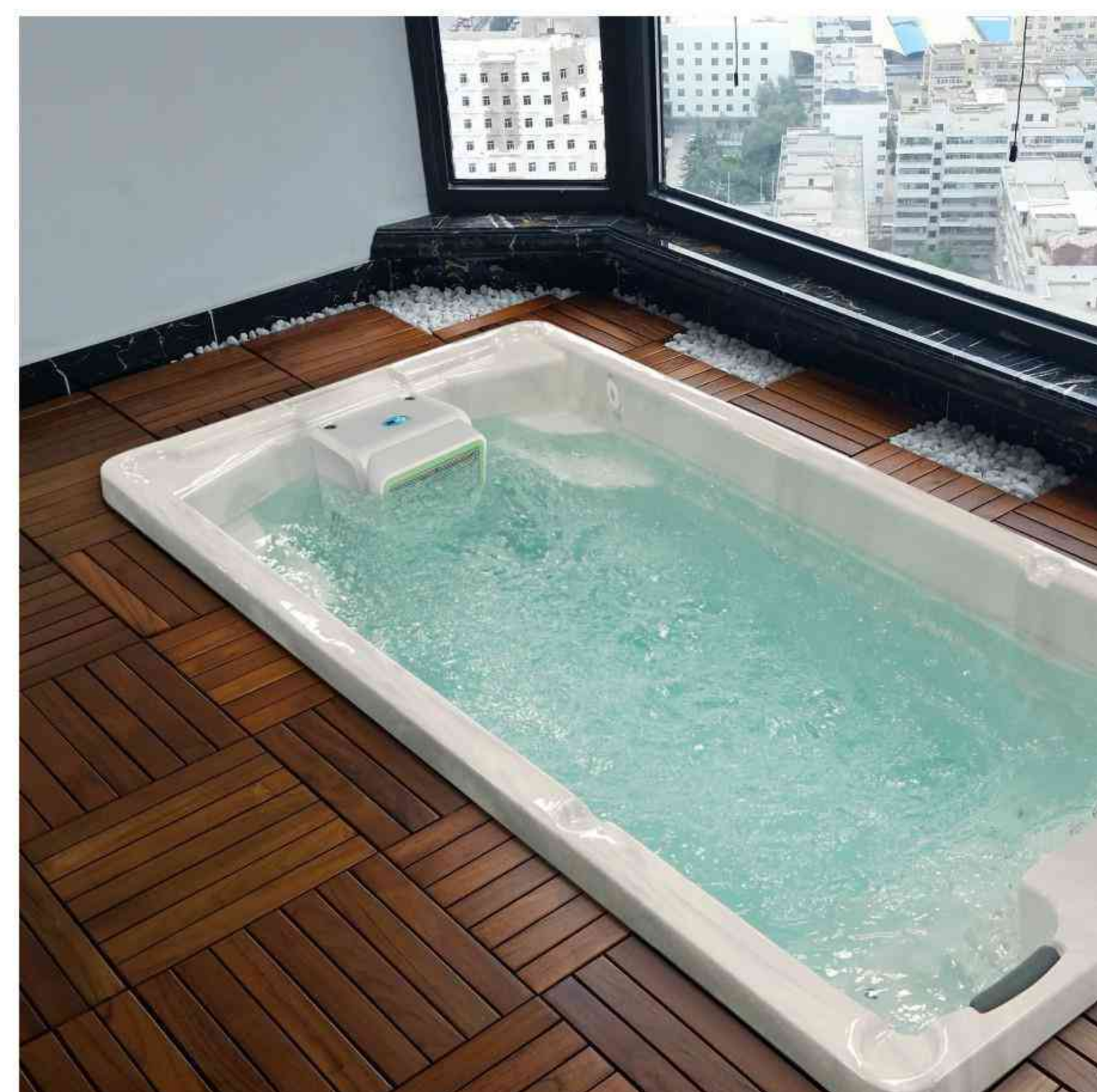
WL-MPU08 WALL MOUNTED MINI SWIM CURRENT MACHINE



Many private and small swimming pools are small due to the limited activity space and swimming distance. In order to provide homeowners a private swimming pool with swimming functions, the manufacturer has developed the MPU08 wall mounted Mini swim current machine. By providing strong propulsion power, swimmers can swim in counter flow to exercise, which makes private swimming pools more valuable.

Product features:

- Easy installation: wall mounted, ready to use.
- Small size: it is compact, saving space, easy to transport.
- Stepless speed regulation: 1-99 speeds, suitable for beginners or professional swimmers.
- Easy to operate: Equipped with a remote control, easy to use.
- Made by an integrated molding process and durable, corrosion-resistant & UV resistant material.
- Low voltage: with low-voltage DC29V motor, more safe and reliable.
- Equipped with regular motor rotation function to extend service life.
- Suitable for various swimming pools such as above ground and under ground pools with minimum pool size of 2m by 4m.



Model	Power supply (V)	Working voltage (V)	Rated power (kW)	Rated current (A)	Max. Speed (m/min)	Max. flow (m³/h)	Min. Pool depth (m)	Dimension (mm)
WL-MPU08-2DE	220-240	DC29	1.6	8	96	510	0.8	420×575×620

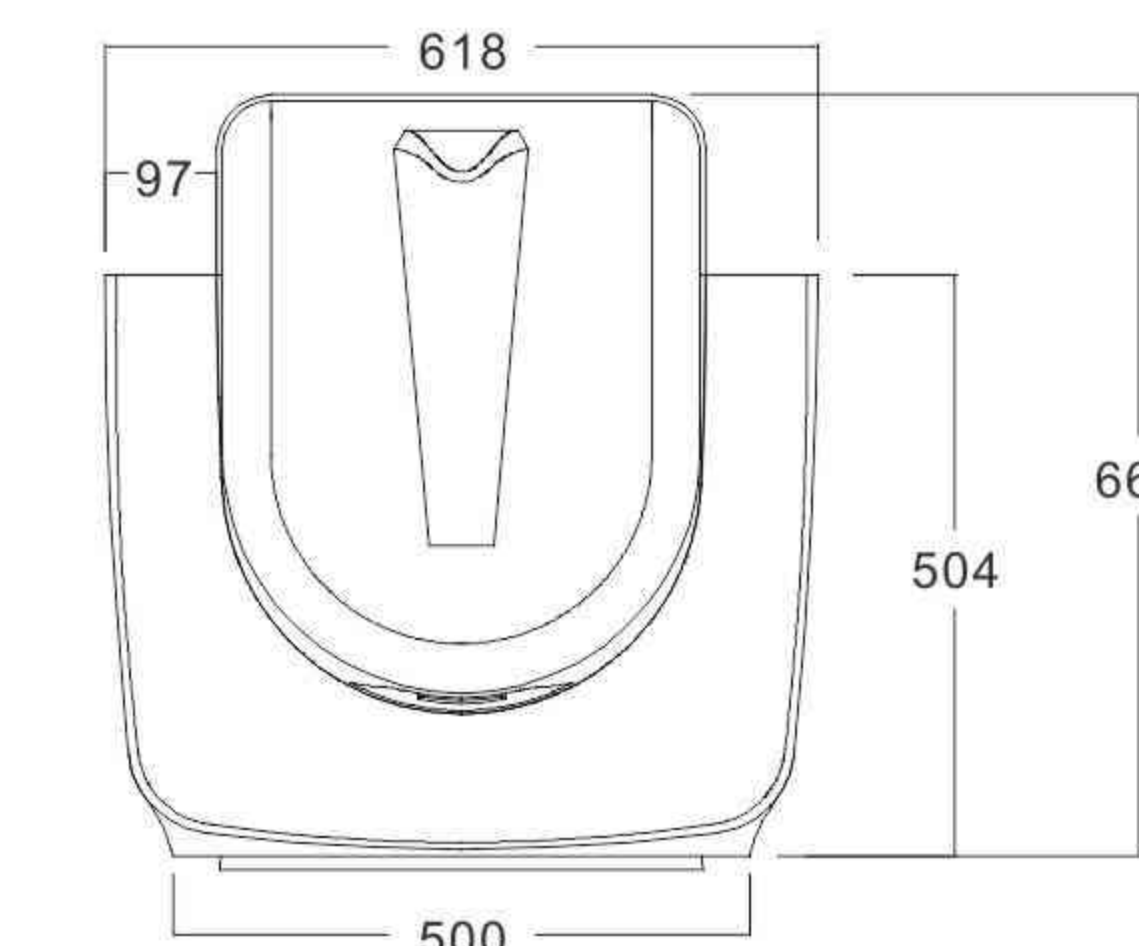
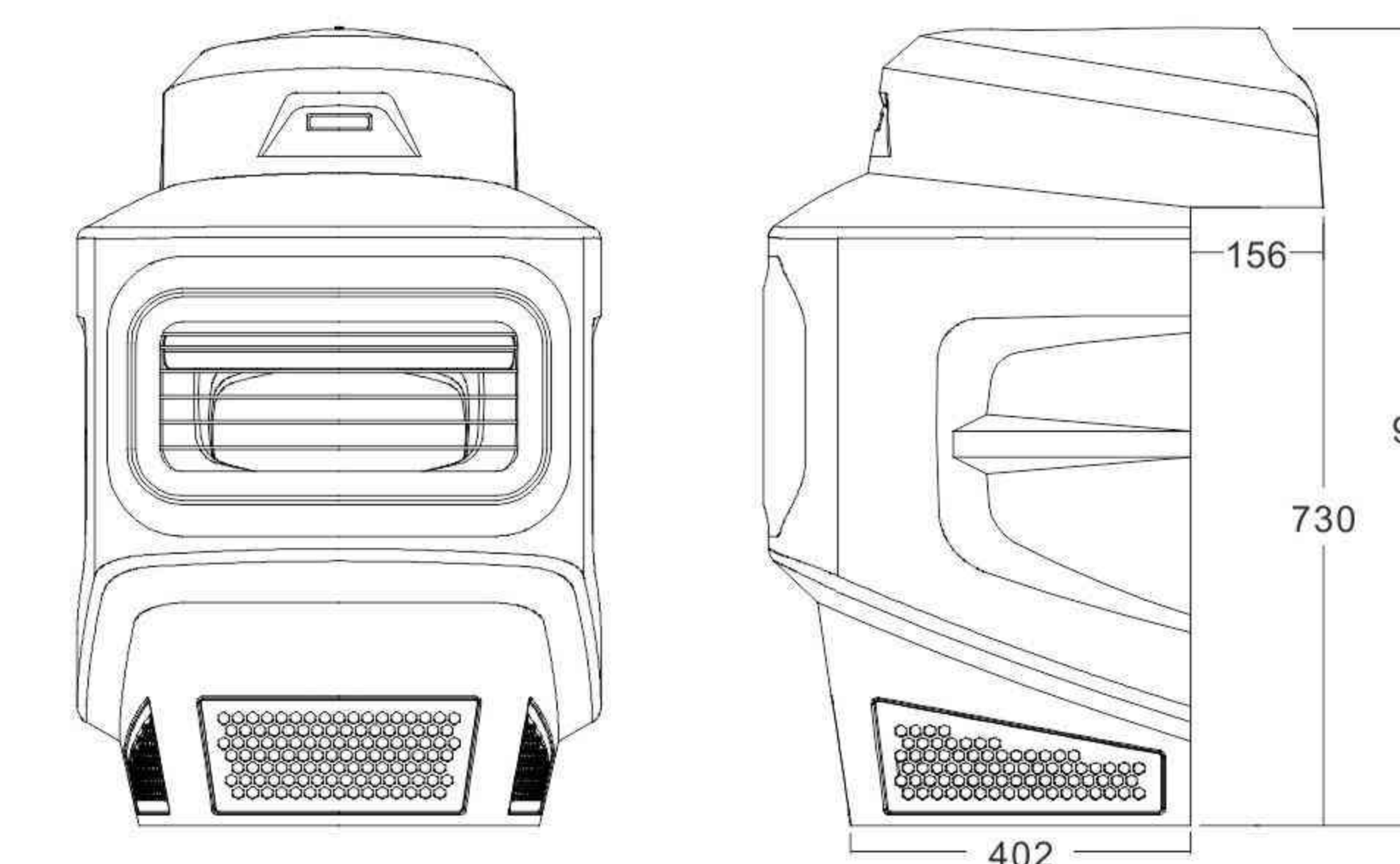
WL-MPU12 LASWIM SWIM CURRENT MACHINE



Adopting a number of high-tech technologies in pool water treatment and spa projects, LASWIM swim current machine is integrated the advanced and practical water environment equipment, making the construction of private swimming pools easier and faster, and making swimming and fitness experience more professional and perfect.

Main features:

- Unlimited swimming
- 99-speed shift mode
- Laminar flow technology
- Waterproof remote control
- DC36V safe voltage
- Wall mounted installation
- Fashion, smart, compact
- High quality acrylic shell



Model	Power supply (V)	Working voltage (V)	Input power (kW)	Rated power (kW)	Laminar outlet (mm)	Max flow (m³/h)	Max speed (m/min)	Dimension (mm)
WL-MPU12	220V	DC36	2	1.2	460×215	719	150	660×618×941

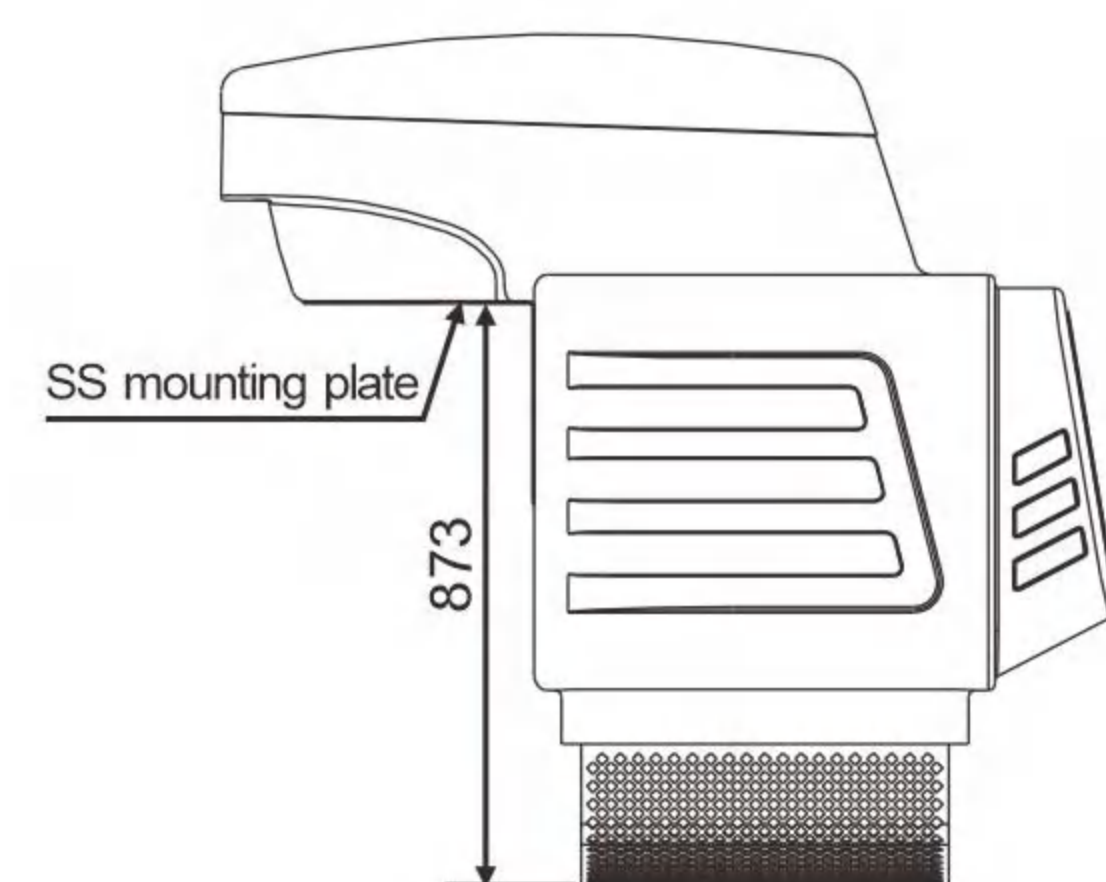
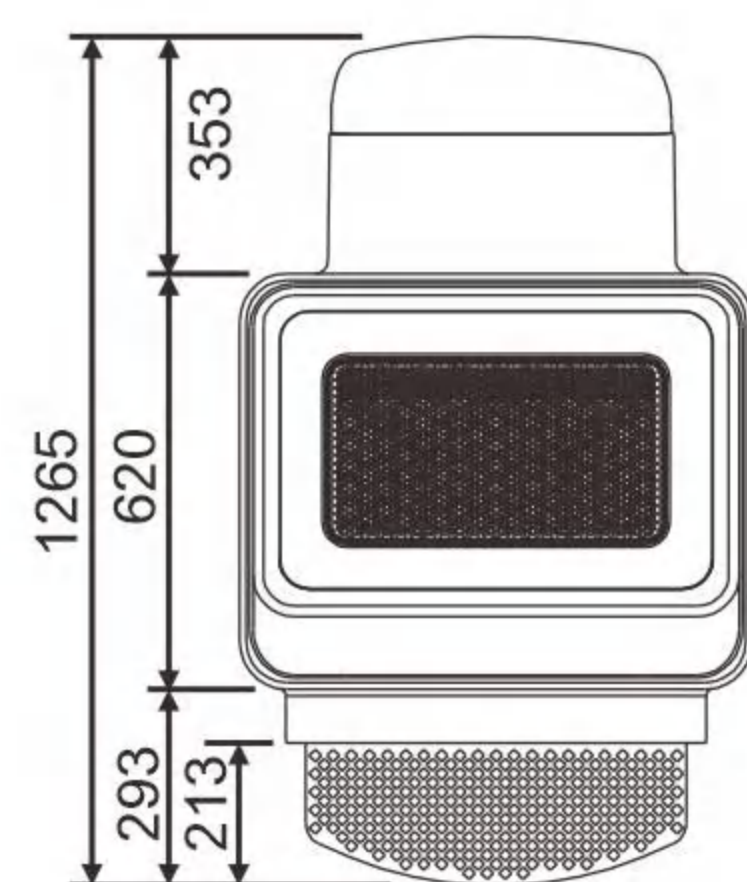
WL-RPU WALL MOUNTED UNLIMITED SWIMMING MACHINE

Having accumulated many years of advanced technology and practical experience in the field of pool industry, to improve the swimmers' swimming experience and life quality, LASWIM creatively has developed wall mounted unlimited swimming machine which is suitable for different sizes of pools.

Infinite variable speeds could be adjusted according to swimmers' demand by controller or WeChat applet.

Main features:

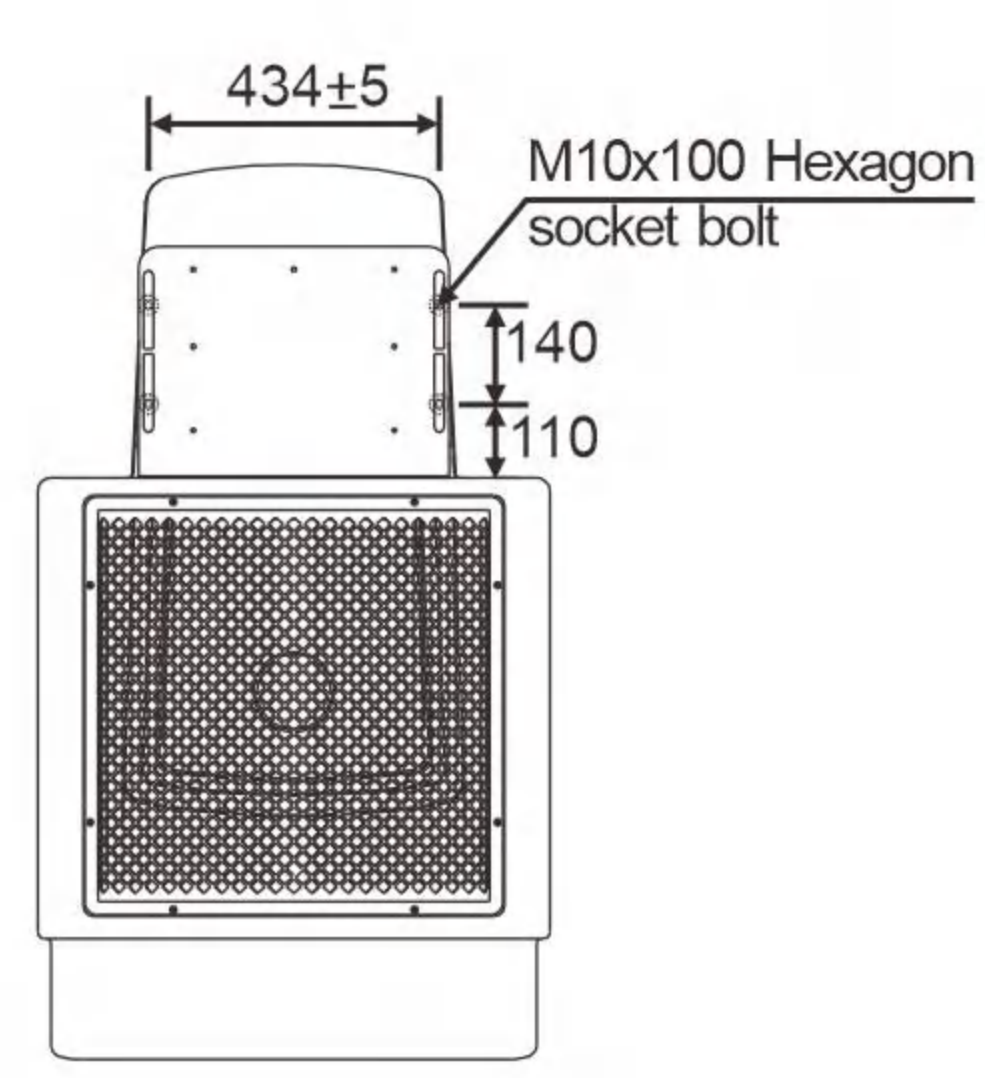
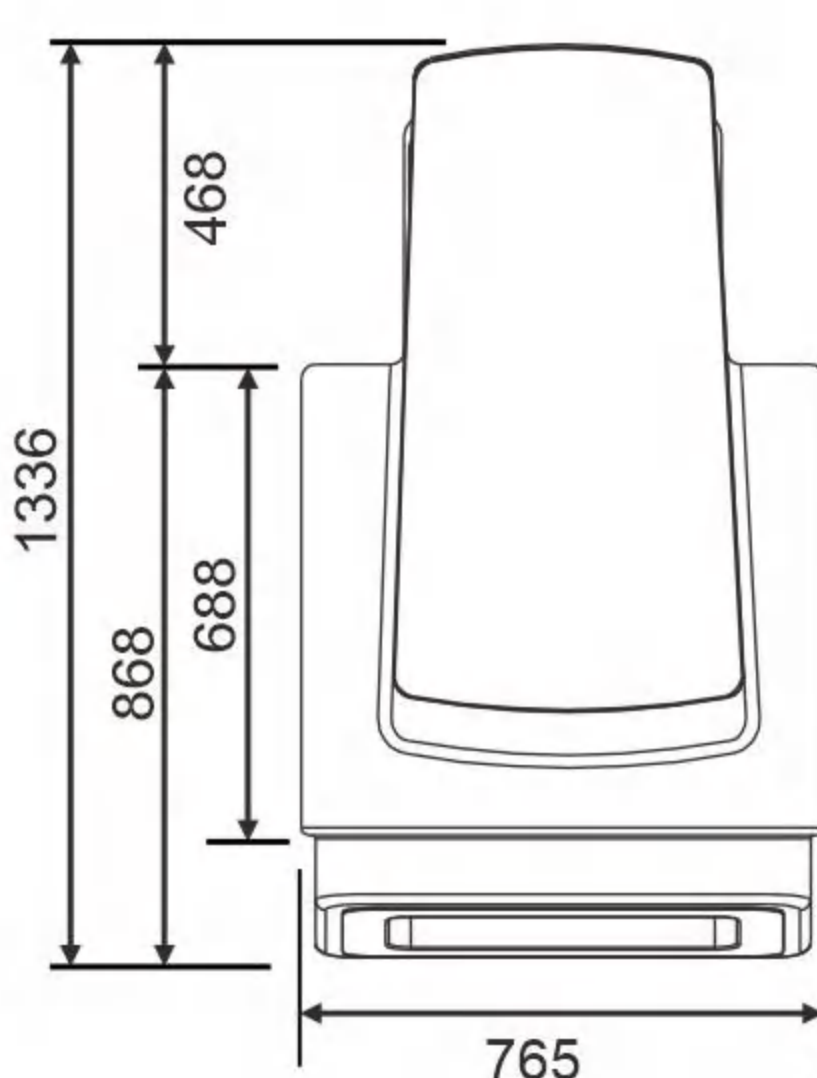
- Easy to install. Just hung on pool wall with 4pcs fixed screws.
- Safety performance. Work with low-voltage as DC36V.
- Operate with low noise, no vibration.
- Can be installed in the pool with a depth of 0.9m.
- Innovative and fashionable design, pretty and compact.
- Manufactured by environmental, UV-resistance, corrosion resistant materials.
- Suitable for reconstructive old pools or new pools in different sizes.



Standard



Optional



Model	Power supply (V)	Working voltage (V)	Input power (kW)	Rated power (kW)	Laminar outlet (mm)	Max flow (m ³ /h)	Max speed (m/min)	Dimension (mm)
WL-RPU20	220V	DC36	3.0	2.0	500 x 280	1000	186	1336 x 765 x 1265
WL-RPU25	220V	DC36	4.0	2.5	500 x 280	1300	240	1336 x 765 x 1265

WL-AYT25Y WALL-HUNG FILTRATION UNIT

The housing is made of high quality acrylic, the unit is easy to install and contains all the equipment for filtration, circulation, disinfection, drainage and lighting in one compact unit. It is also equipped with a multifunctional jet which not only makes the pool water circulate, but also has functions for swimming training, massage and fun in the water.

Installation:

- Clear away any debris from the installation area, and make a datum mark before installation.
- Place the unit in a proper position according to the installation detail drawing. Adjust the unit with a level to make sure the tolerance is less than 2mm. Use the filler pieces to pack the unit level, fix the packing pieces, then fill in the vacant area with grout.
- Connect drainpipe and cable pipe as shown in the installation detail drawing. The control box must be damp-proofed. Electrical installation and testing must be done by a licensed or certified electrician.
- Fill in the joint between the unit and pool wall with grout when installing, and seal it with sealant.
- After installation, fill with sand around the unit board. Spread stones on the side of pool to match the pool structure, record the installation notes.



WL-AYT25Y



Pool Light



Swim Jet



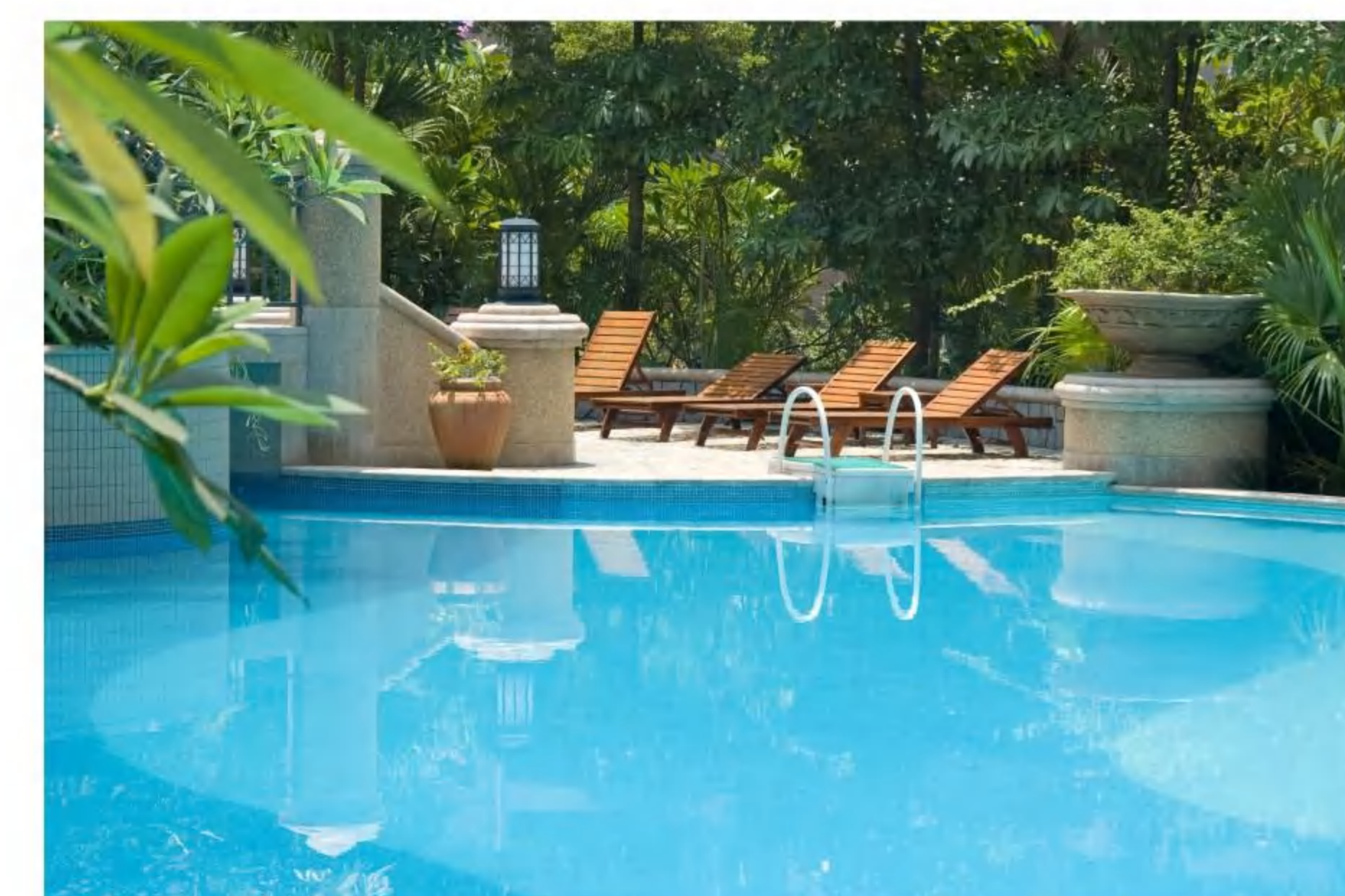
Filter Bag



Filter basket



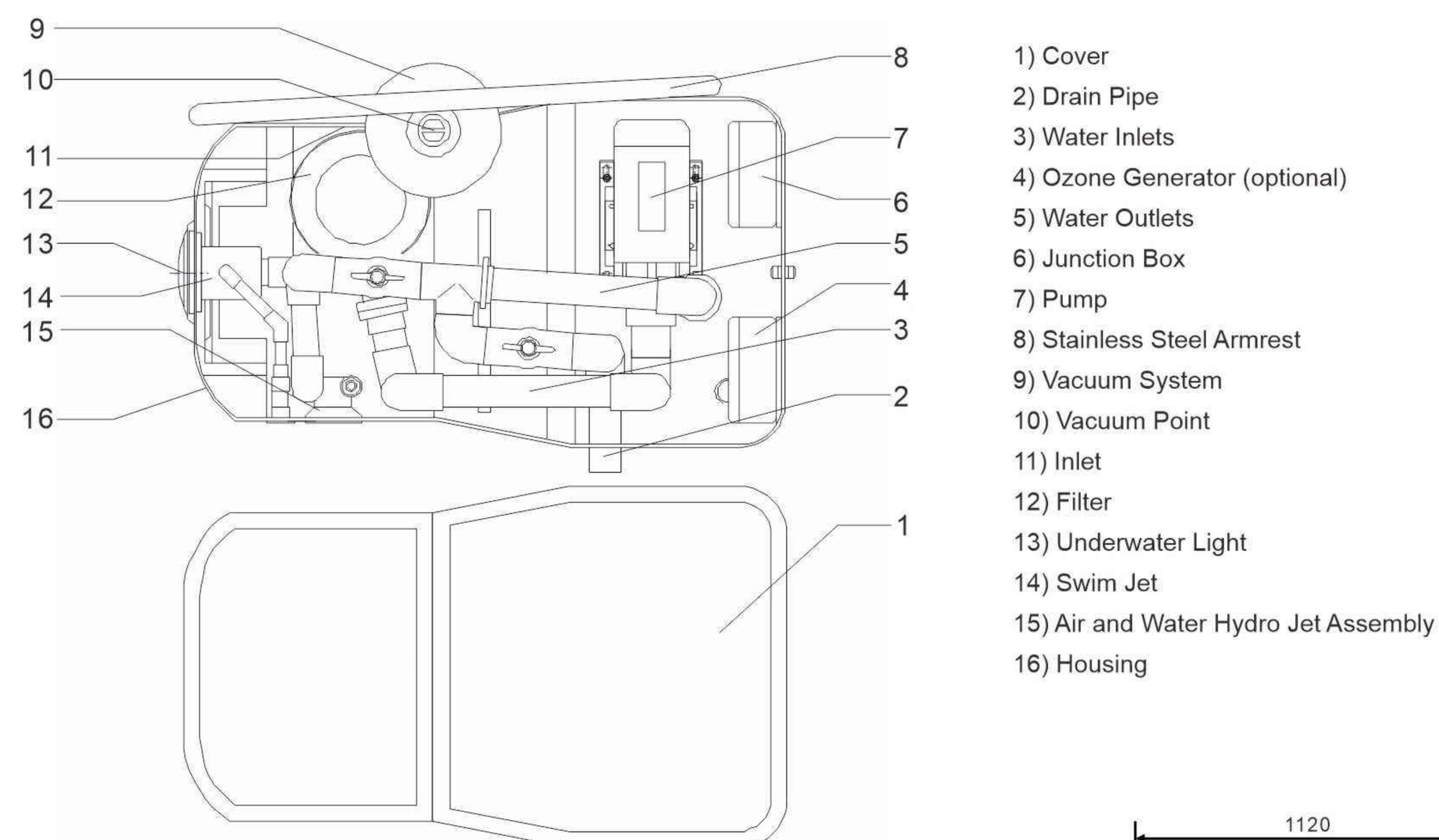
Electronic control system (Optional)



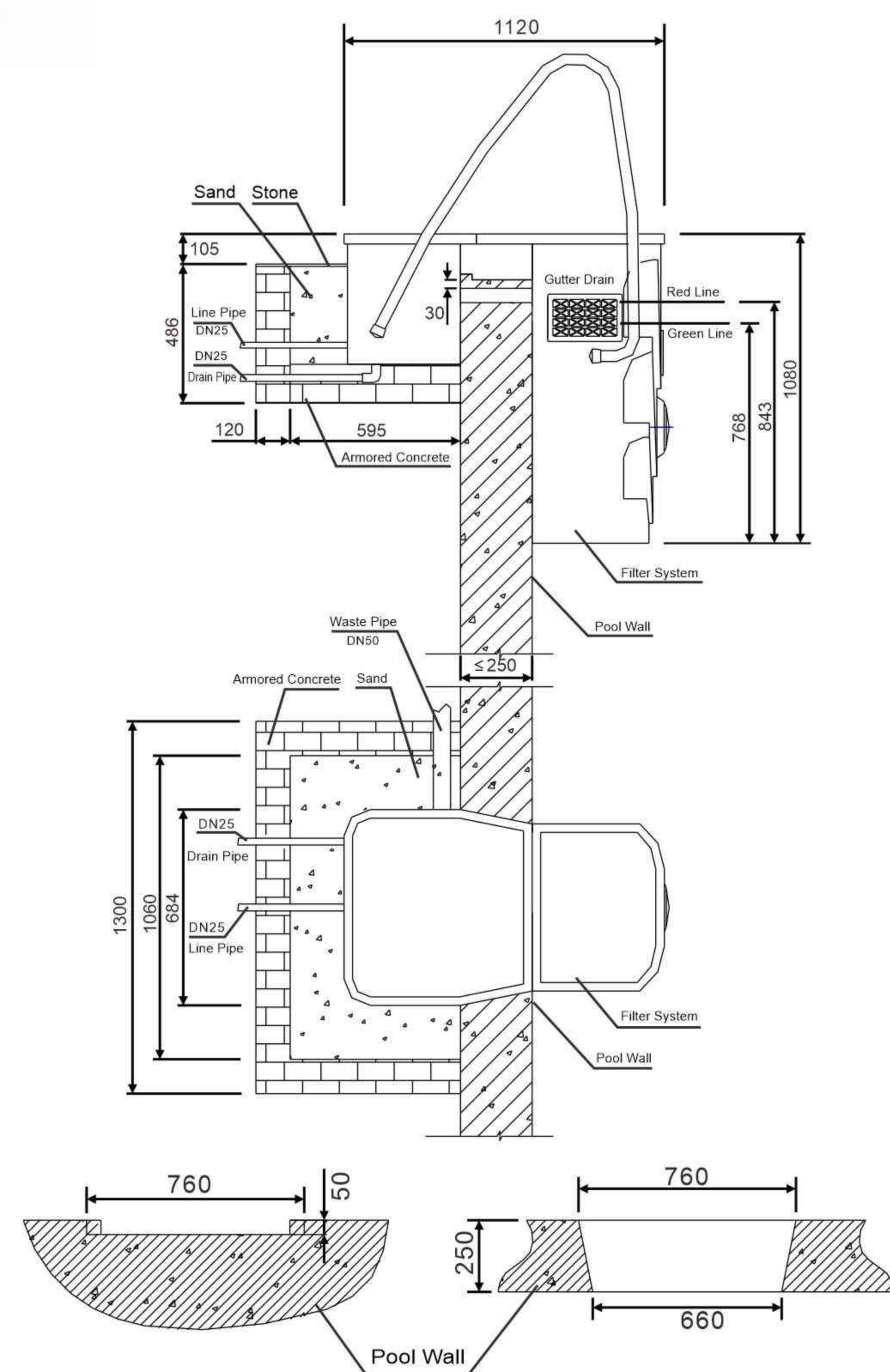
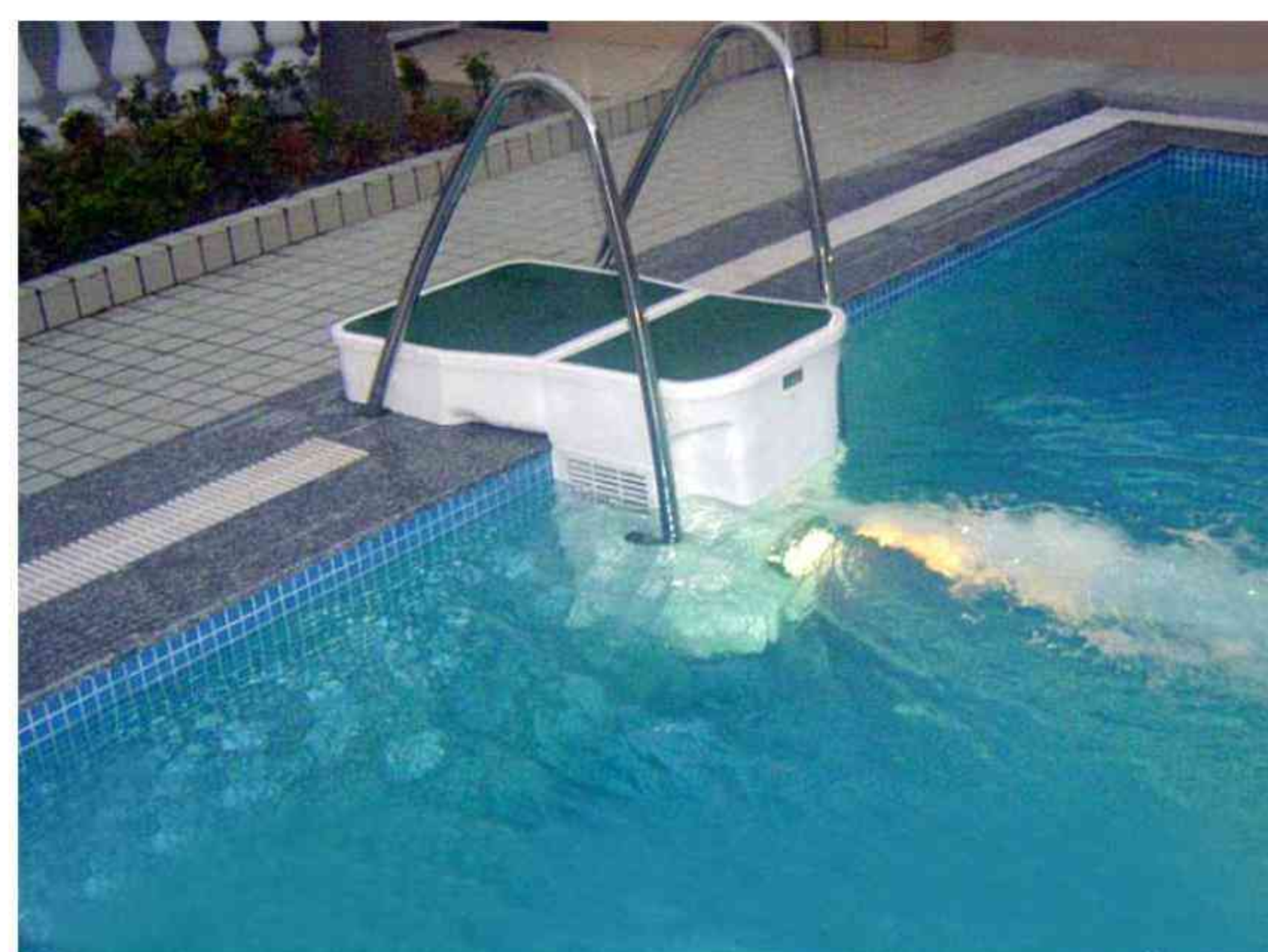
Pump(HP)	Voltage(V)	Flow Rate	Filter Precision	Filter Area	Noises	Outline Size
2.0HP	220V	25m ³ /h	≤5μ	0.297m ²	≤40dB	1120×684×1080mm

PM-GL25Y WALL-HUNG FILTRATION UNIT

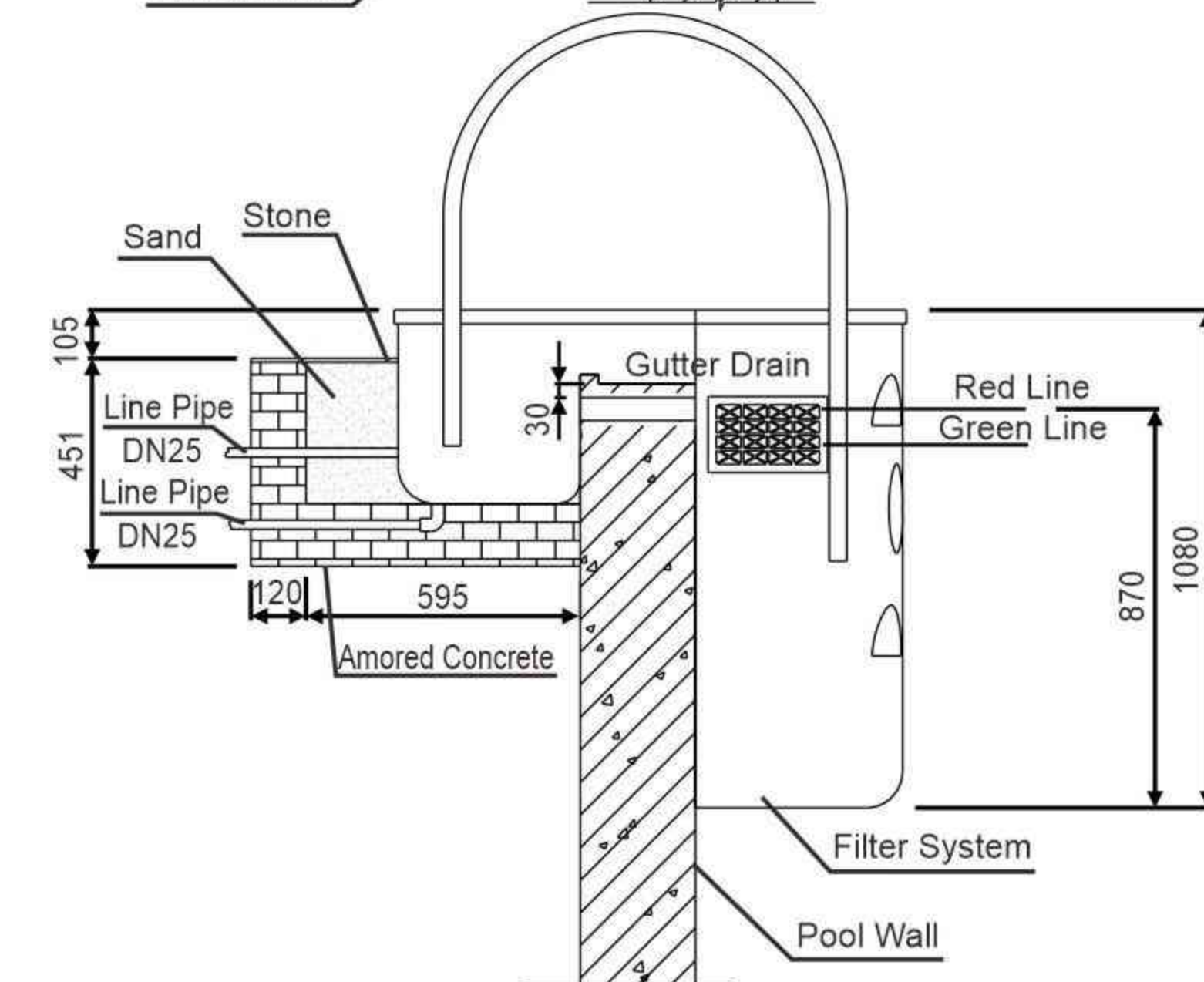
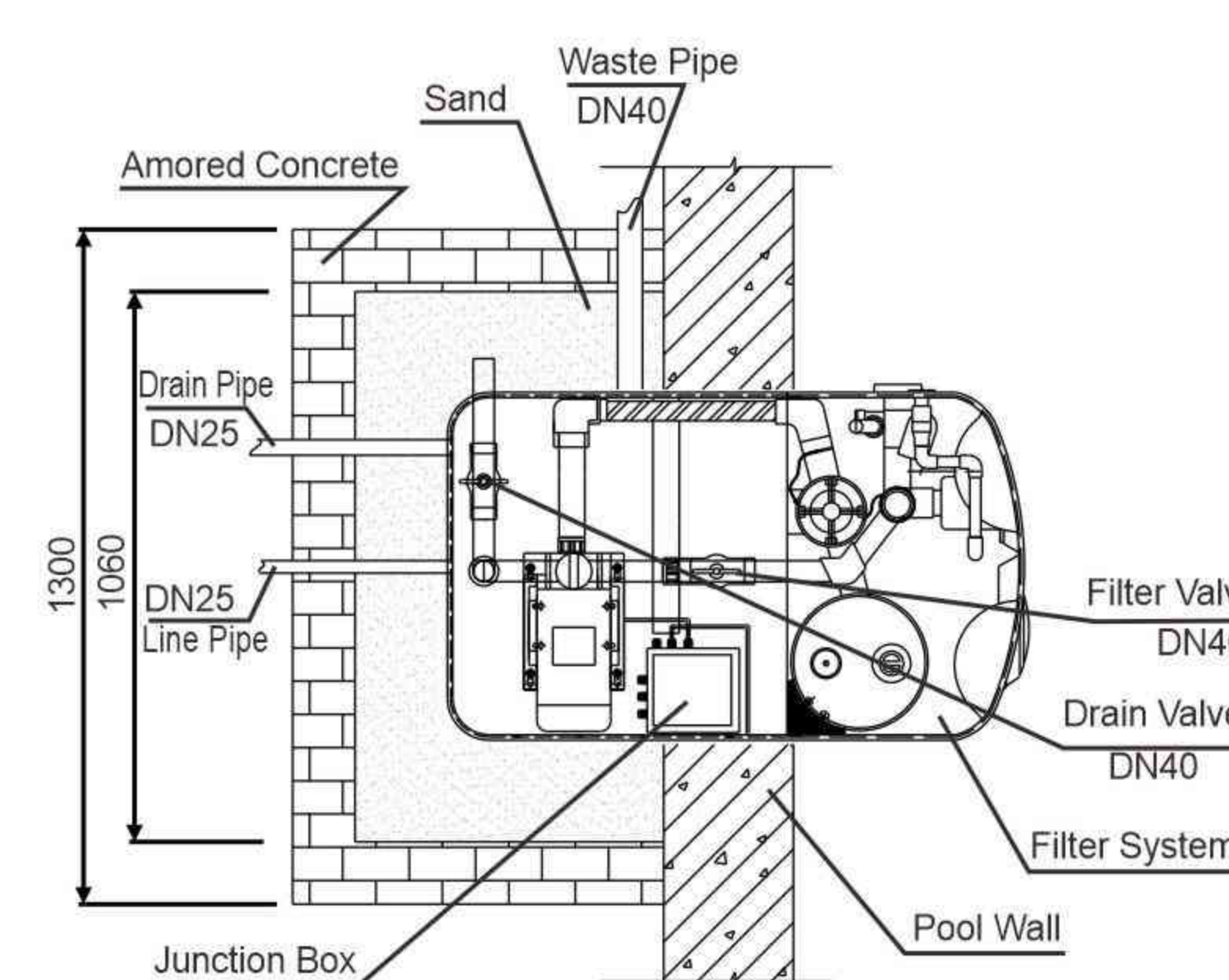
Installation process



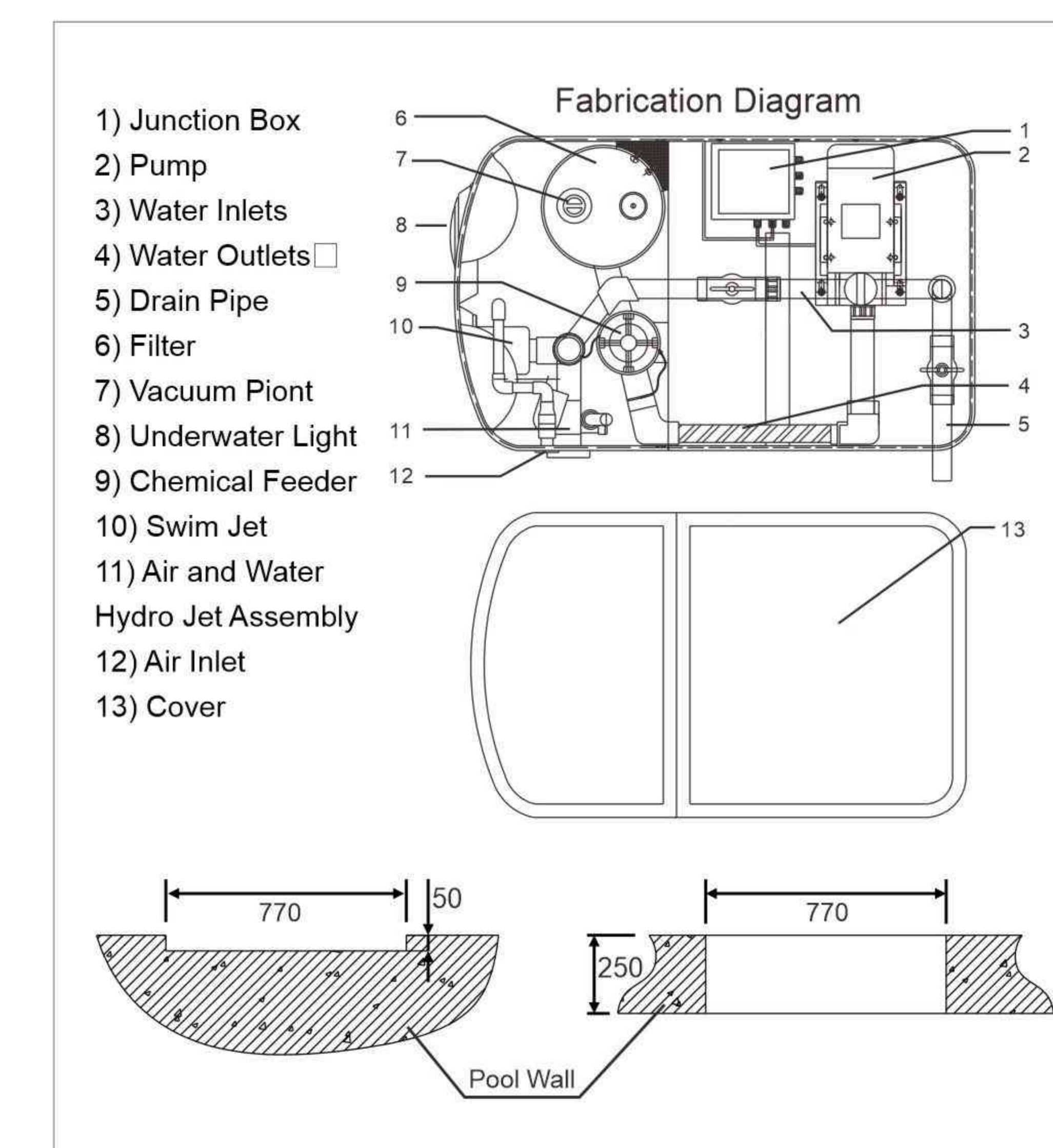
Fabrication Diagram



PM-GL25Y



The housing is made of high quality acrylic, the unit is easy to install and contains all the equipment for filtration, circulation, disinfection, drainage and lighting in one compact unit. It is also equipped with a multifunctional jet which not only makes the pool water circulate, but also has functions for swimming training, massage and fun in the water.



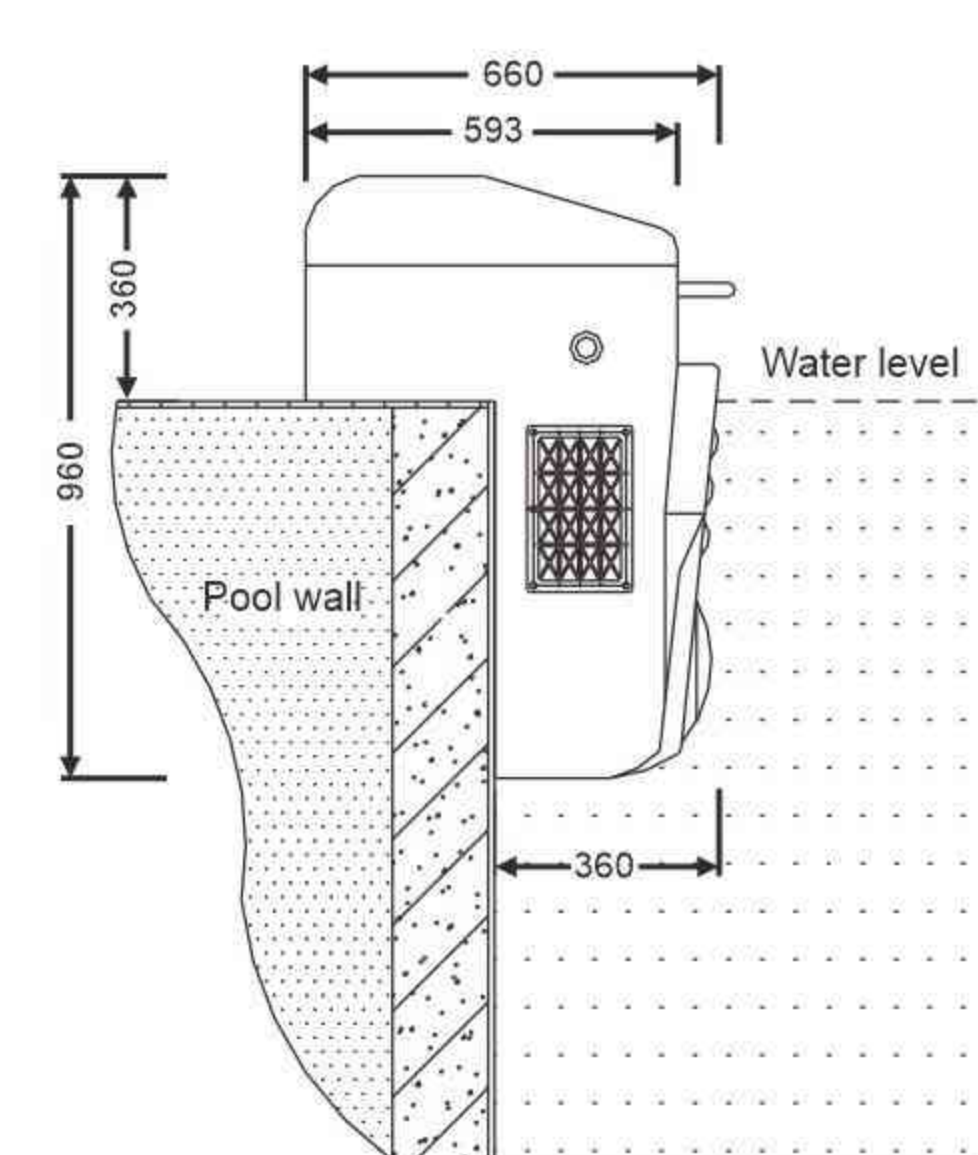
Pump(HP)	Flow Rate	Filter Precision	Filter Area	Noises	Outline Size
2.0HP	22m ³ /h	≤5μ	0.297m ²	≤50dB	1725×1112×684mm

WL-GYT10Y WALL-HUNG FILTRATION UNIT

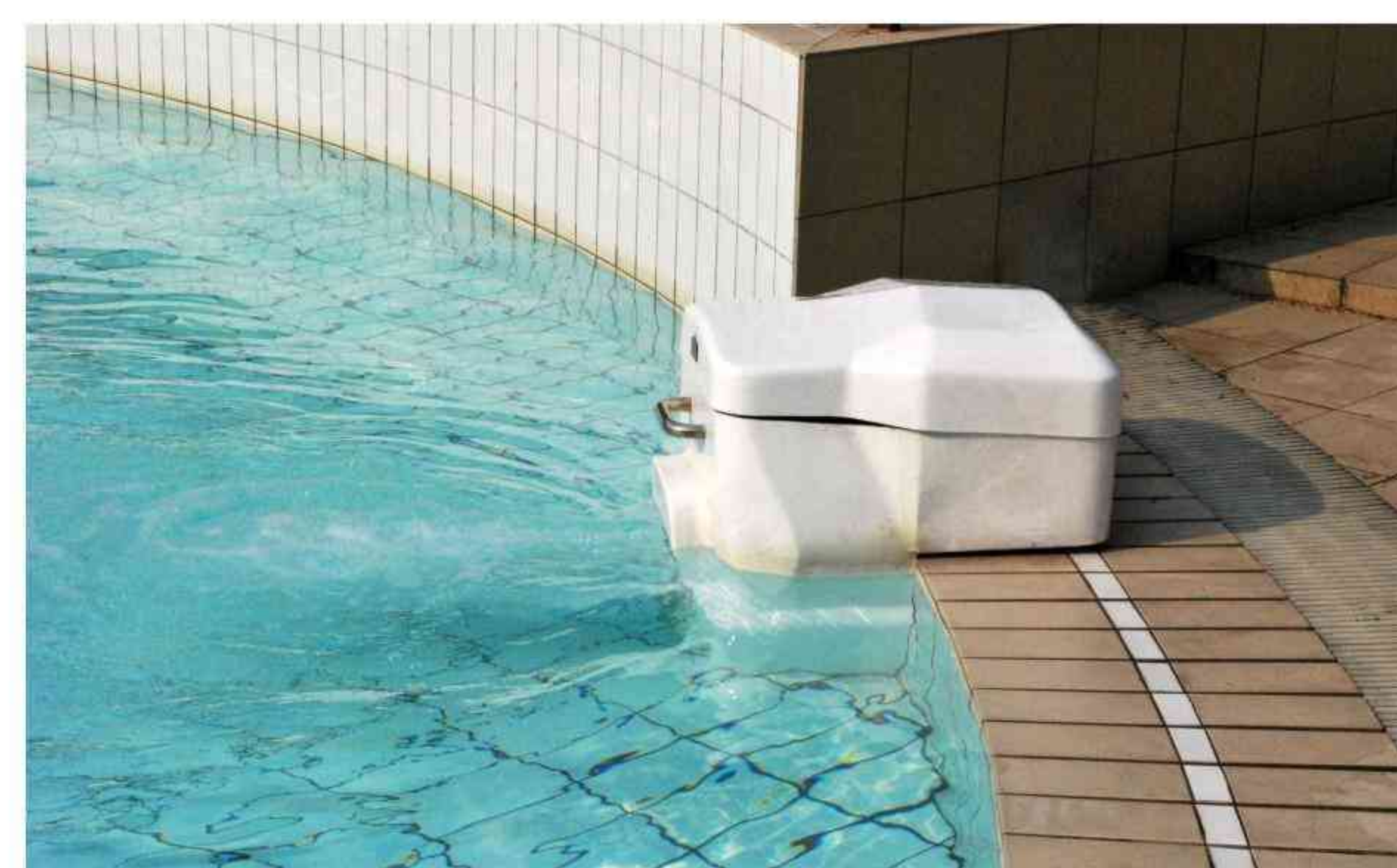
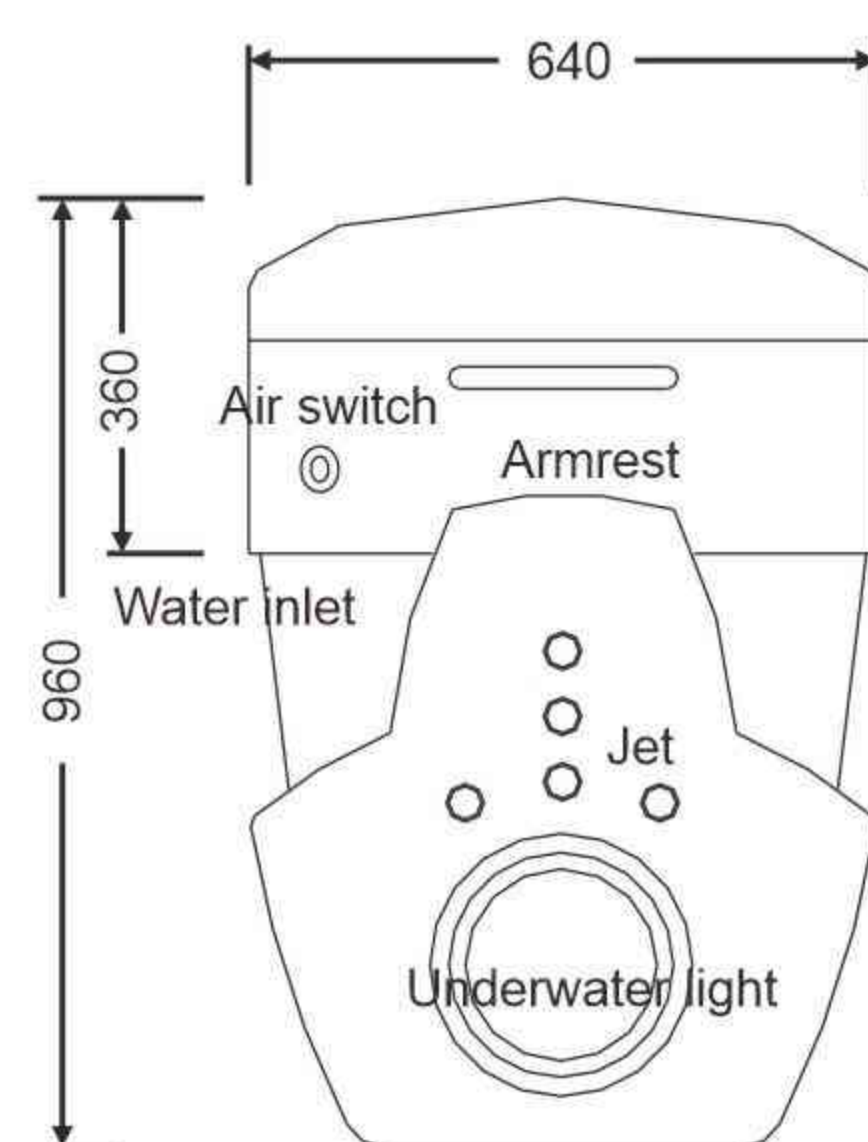
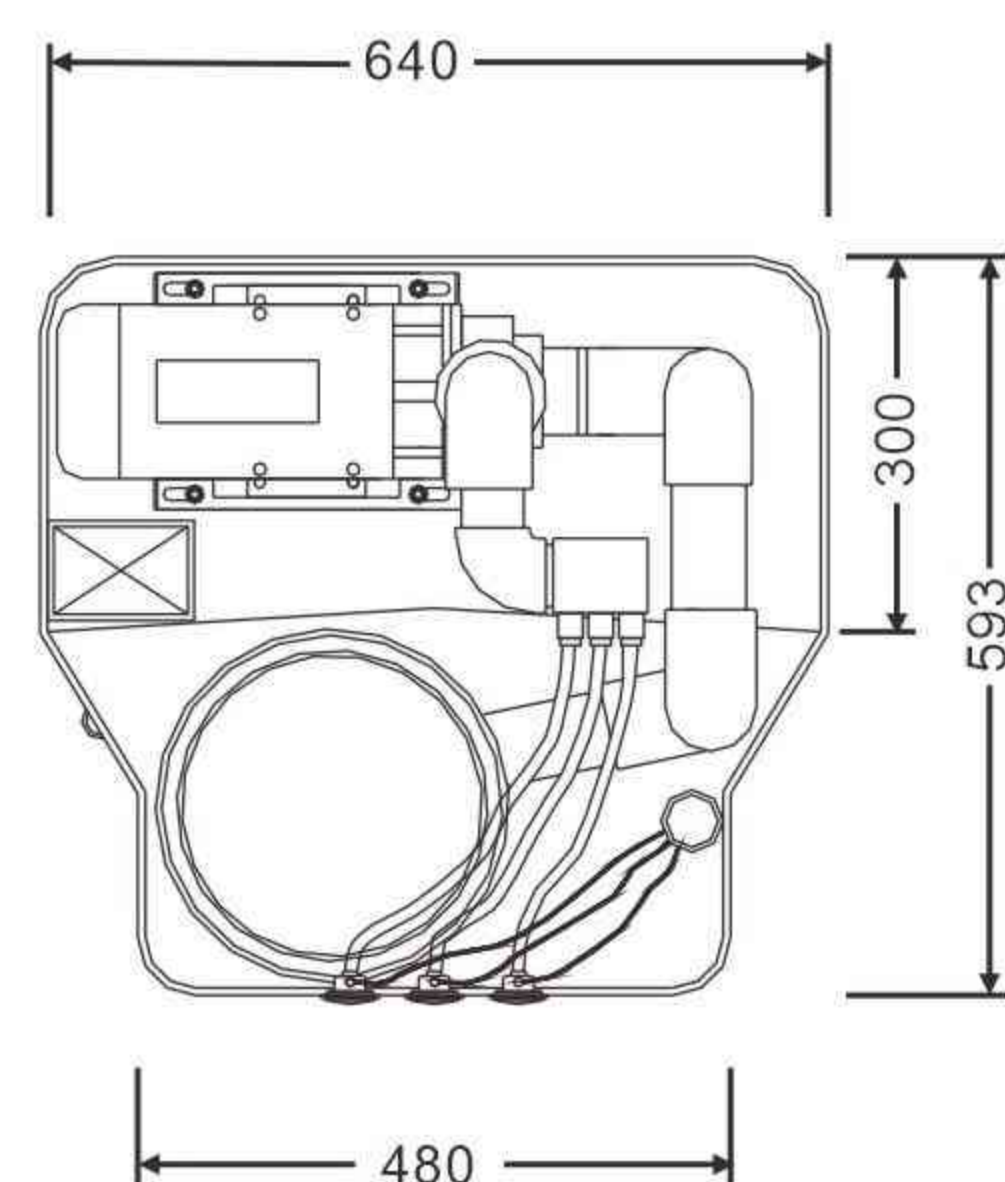
The housing is made of high quality acrylic, the unit is easy for installation and assembles all the equipment of filtration, circulation, drainage and lighting in one compact unit. It is also equipped with multifunctional jet which not only makes the pool water circulate, but also has functions of swimming training, massage and fun in water. Extra fit for children pools.



WL-GYT10Y



Installation figure



Pump(HP)	Voltage(V)	Flow Rate	Filter Precision	Filter Area	Noises	Outline Size
1.2HP	220V	10~13m ³ /h	≤5μ	0.26m ²	≤40dB	640x660x960mm

WL-GMT/ WL-MMT/ WL-DMT FILTRATION UNITS

Filtration unit is one of the best choices for swimming pool. It is in good appearance, easy to operate and long-time use. Different models could be chosen according to different size of swimming pools and actual demand.



WL-GMT /MMT/DMT

WL-DMT

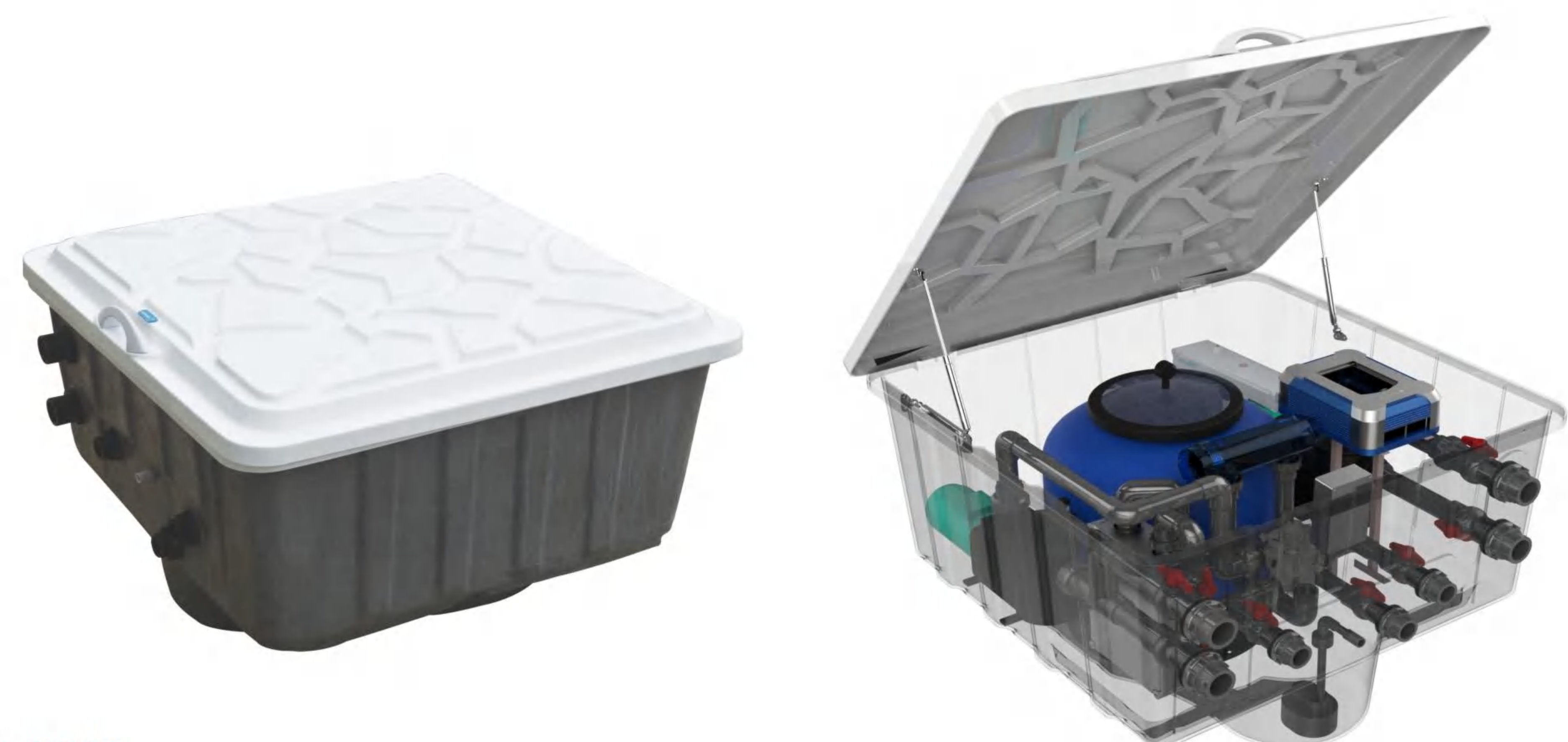
- Easy to operate, no need the equipment room and special maintenance.
- Adopts high precious of sand filter.
- With good performance pump.
- More economical because of simple disinfecting equipment-chemical feeder.

WL-DMT parameter

Model	Horsepower (HP)	Voltage (V)	Flow Rate (m ³ /h)	Filter area (m ²)	Pool volume (m ³)	Outline size (mm)
WL-DMT-8	0.75	220~240	8	0.16	≤64	1320×1340×985
WL-DMT-12	1		12	0.23	≤92	
WL-DMT-16	1.5		16	0.32	≤128	
WL-DMT-20	2.0		20	0.4	≤160	1550×1560×1135
WL-DMT-25			25	0.5	≤200	

WL-DMT Specification

Model	Main parts
WL-DMT-8	BCG450 sand filter + 0.75HP pump + chemical feeder
WL-DMT-12	BCG500 sand filter + 1HP pump + chemical feeder
WL-DMT-16	BCG650 sand filter + 1.5HP pump + chemical feeder
WL-DMT-20	BCG700 sand filter + 2HP pump + chemical feeder
WL-DMT-25	BCG800 sand filter + 2HP pump + chemical feeder



WL-MMT

- The progressive filtration unit adopts professional sand filter, high efficiency pump and salt-chlorine generator, 3HP massage pump and submersible pump.
- 3HP massage pump makes the filtration unit more powerful.
- Equipped with submersible pump, avoiding the security risk that caused by accumulated water in tank.
- Equipped with salt-chlorine generator, the most effective and high-tech equipments.

WL-GMT /MMT/DMT

WL-MMT parameter

Model	Horsepower (HP)	Voltage (V)	Flow Rate (m³/h)	Filter area (m²)	Pool volume (m³)	Outline size (mm)
WL-MMT-8	0.75	220~240	8	0.16	≤64	1320×1340×985
WL-MMT-12	1		12	0.23	≤92	
WL-MMT-16	1.5		16	0.32	≤128	
WL-MMT-20	2.0		20	0.4	≤160	1550×1560×1135
WL-MMT-25			25	0.5	≤200	

WL-MMT Specification

Model	Main parts
WL-MMT-8	BCG450 sand filter + HLLF075M circulation pump + HLLF300M Massage pump + submersible pump + EC Plus 8 salt chlorinator
WL-MMT-12	BCG500 sand filter + HLLF100M circulation pump + HLLF300M Massage pump + submersible pump + EC Plus 12 salt chlorinator
WL-MMT-16	BCG650 sand filter + HLLF150M circulation pump + HLLF300M Massage pump + submersible pump + EC Plus 16 salt chlorinator
WL-MMT-20	BCG700 sand filter + HLLF200M circulation pump + HLLF300M Massage pump + submersible pump + SQ30 salt-chlorinator
WL-MMT-25	BCG800 sand filter + HLLF200M circulation pump + HLLF300M Massage pump + submersible pump + SQ40 salt chlorinator

WL-GMT

- Adopts LASWIM pump with high performance and low noise.
- With submersible pump to avoid the hazardous of flood in filtration box.
- Adopts high-tech disinfecting equipment, such as salt chlorine generator and UVsterilizer.
- Could be used for swimming pool, hot spring and SPA in different sizes and various shapes.

WL-GMT parameter

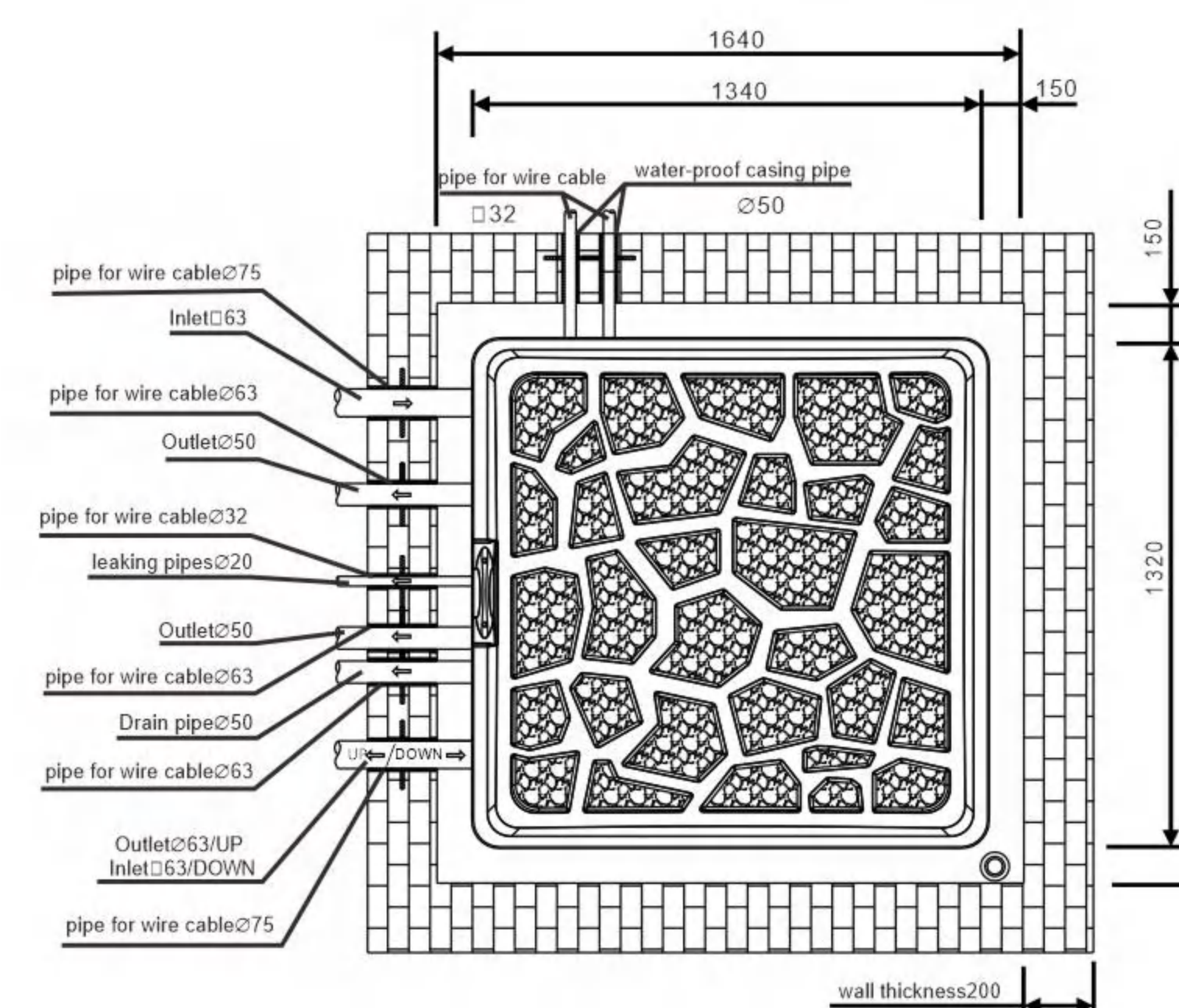
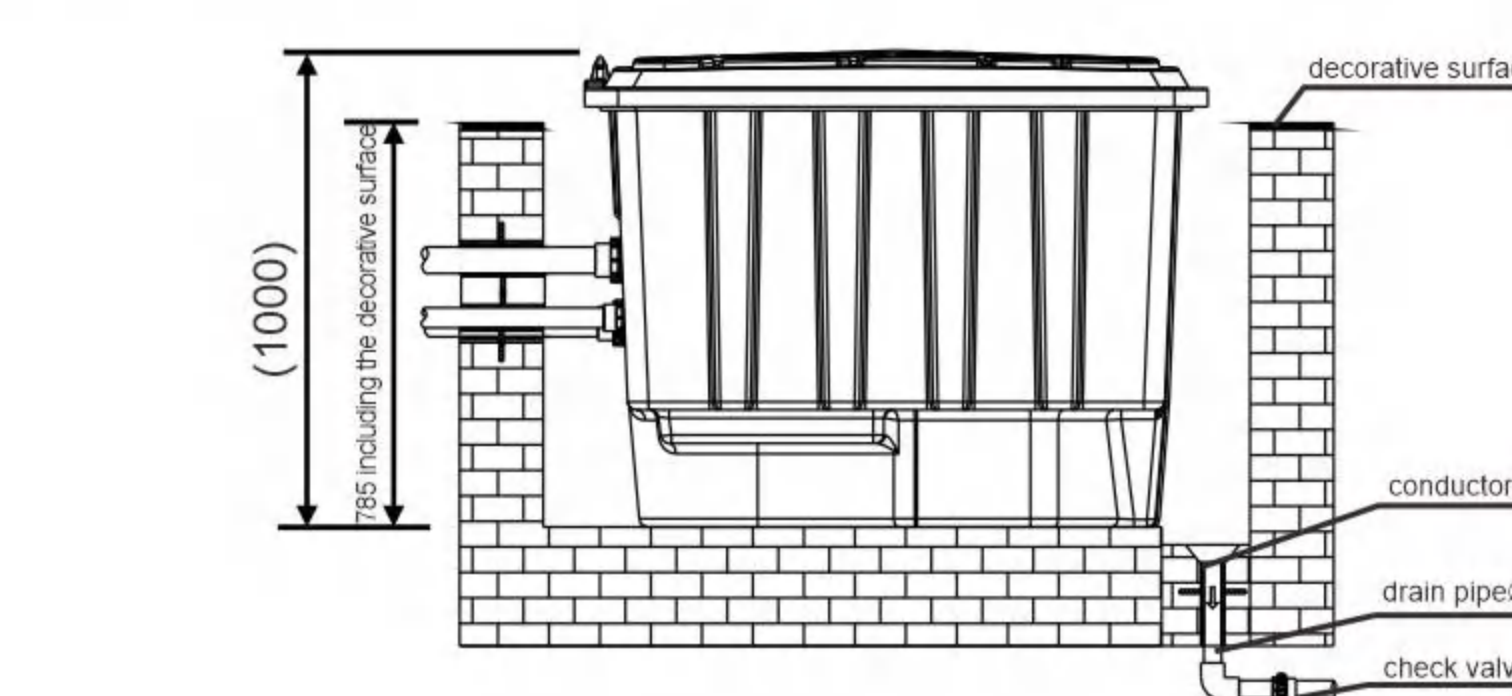
Model	Horsepower (HP)	Voltage (V)	Flow Rate (m³/h)	Filter area (m²)	Pool volume (m³)	Outline size (mm)
WL-GMT-8	1.5	220~240	8	0.16	≤64	1320×1340×985
WL-GMT-12			12	0.23	≤92	
WL-GMT-16			16	0.32	≤128	
WL-GMT-20	2.0		20	0.4	≤160	1550×1560×1135
WL-GMT-25			25	0.5	≤200	

WL-GMT Specification

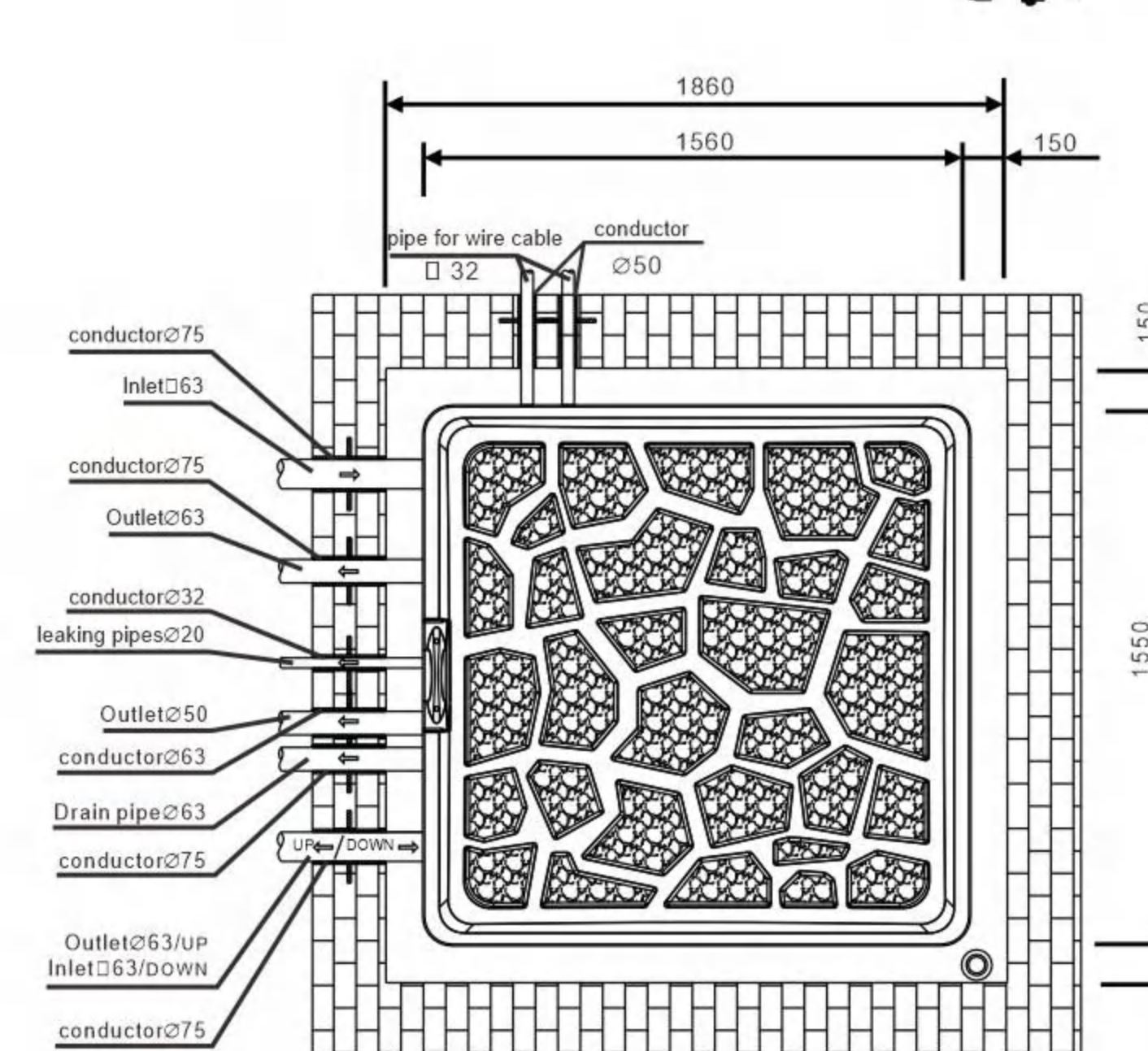
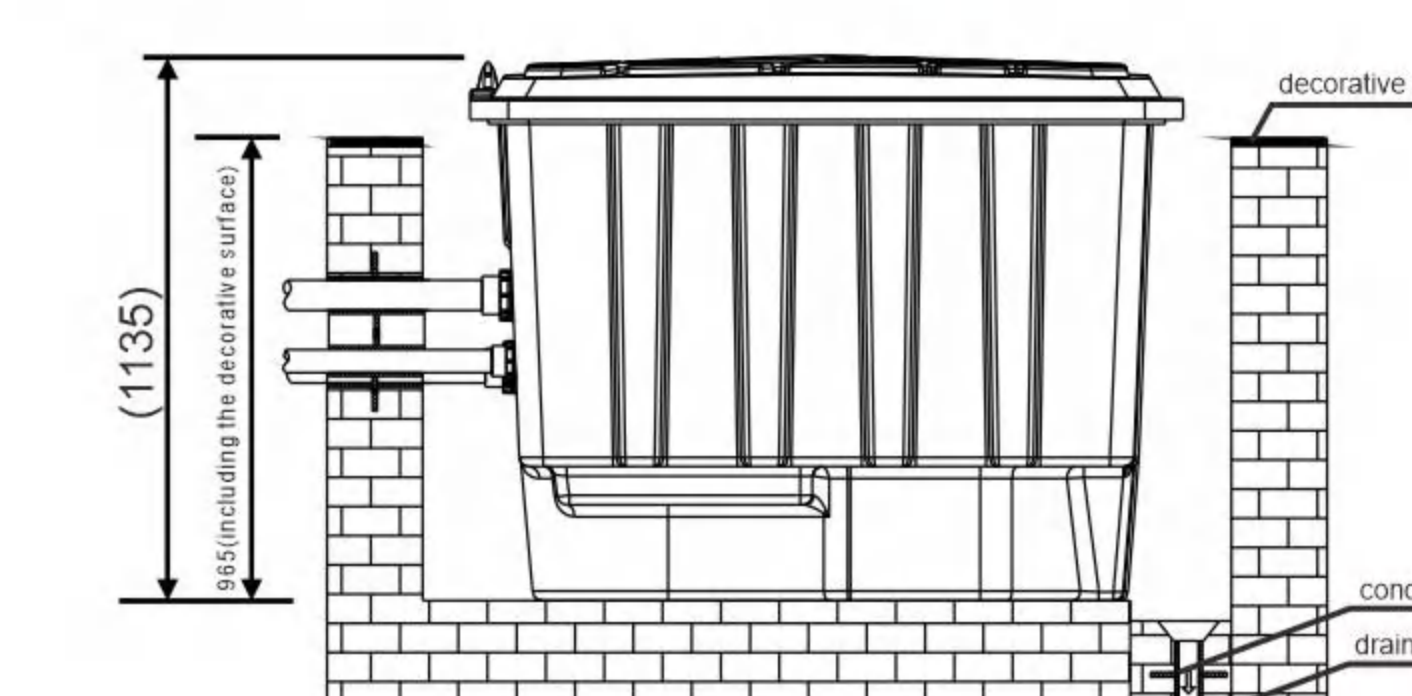
Model	Main parts
WL-GMT-8	BCG450 sand filter+0.75HP Circulation pump+ 3HP massage pump+ EC8 salt chlorinator + 28W UV Sterilizer+ submersible pump
WL-GMT-12	BCG500 sand filter+1.0HP Circulation pump+ 3HP massage pump+ EC12 salt chlorinator + 28W UV Sterilizer+ submersible pump
WL-GMT-16	BCG650 sand filter+1.5HP Circulation pump+ 3HP massage pump+ EC16 salt chlorinator + 28W UV Sterilizer+ submersible pump
WL-GMT-20	BCG700 sand filter+2HP Circulation pump+ 3HP massage pump+ SQ30 salt chlorinator + 28W UV Sterilizer+ submersible pump
WL-GMT-25	BCG800 sand filter+2HP Circulation pump+ 3HP massage pump+ SQ40 salt chlorinator + 28W UV Sterilizer+ submersible pump

Remark: Please refer to the relevant page of this information for details and performance of the product in the above table.

1、WL-GMT-8/12/16 INSTALLATION DIAGRAM



2、WL-GMT-20/25 INSTALLATION DIAGRAM



WL-DMC

SMART ELECTRICAL CONTROL SYSTEM

Product Dimensions

Compact and space-saving, 430×330×170 mm, enabling quick installation.

Maximum Power

4.6kW (AC220V), ensuring high efficiency and stability.

Control Methods

Remote control via the Tuya APP, local timer control, and local manual control.

Application Scenarios

Ideal for single integrated filtration units and intelligent control systems for small swimming pools.

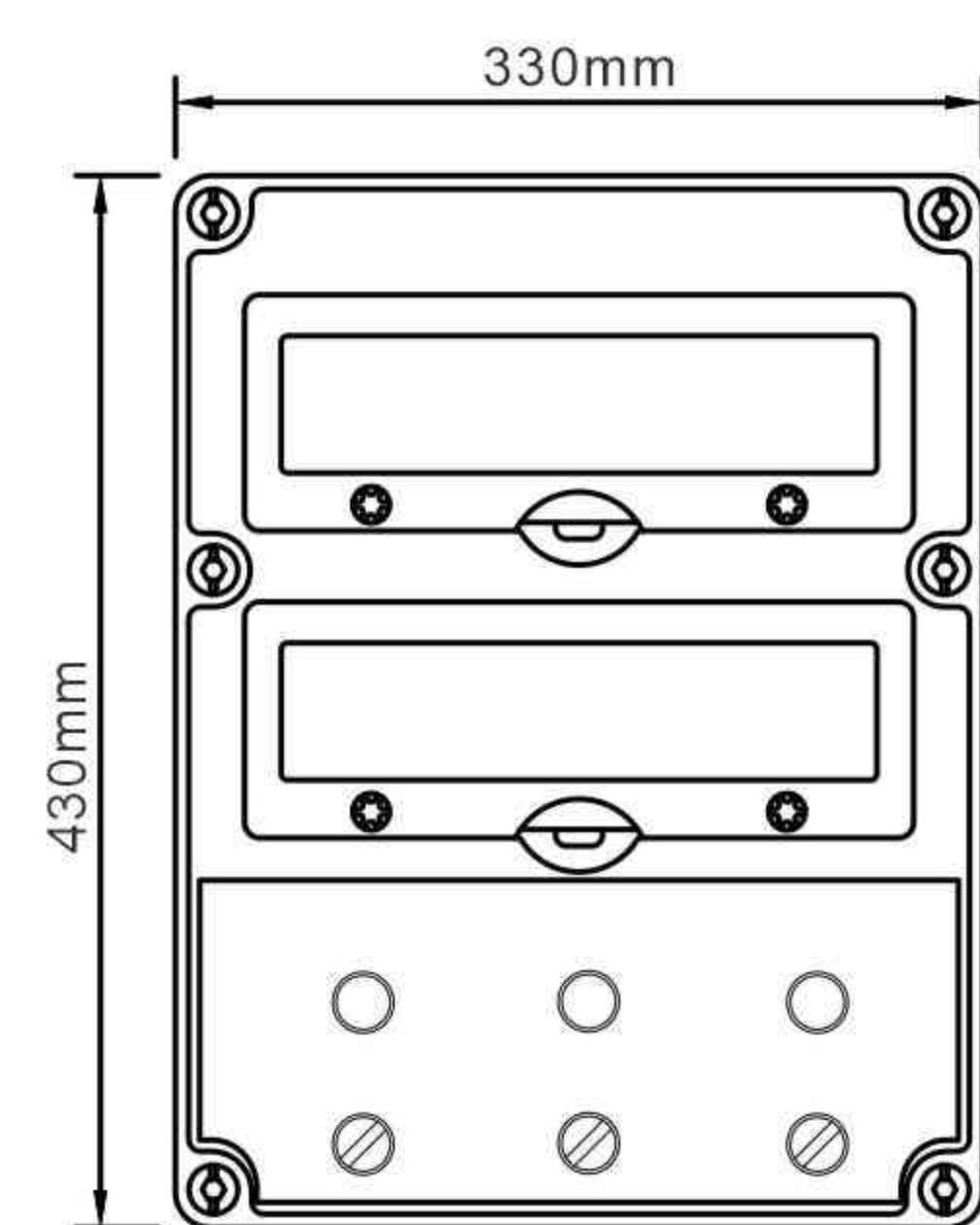


WL-DMC



Remote Control

Monitor equipment status anytime, anywhere.



Flexible Control Modes

Switch between timer, manual, and remote control to meet diverse needs.

Model	Supported Equipment Power			
	Circulation Pump	Function Pump	Underwater Light	UV Equipment
WL-DMC1500	1.5kW	1.5kW	0.2kW	28W
WL-DMC2000	2.2kW	2.2kW	0.2kW	28W

Maximum Supported Power : 4.6kW/AC220V

WL-DMC-PLC11000

SMART ELECTRICAL CONTROL SYSTEM



WL-DMC-PLC11000

Maximum Power

11kW (AC220V), powerful performance and suitable for multiple small pools or a single larger pool.

Supported Equipment

4 circulation pump sets, 4 salt chlorinator sets, 4 underwater light sets, and 4 UV equipment sets.

Application Scenarios

Manage up to 4 integrated filtration units or serve as an intelligent control system for medium-to-large swimming pools.

PLC Precision Control

Real-time display of salt chlorinator data, precise control of pumps, heaters, underwater lights, and sand filter valves.

Convenient Touch Operation

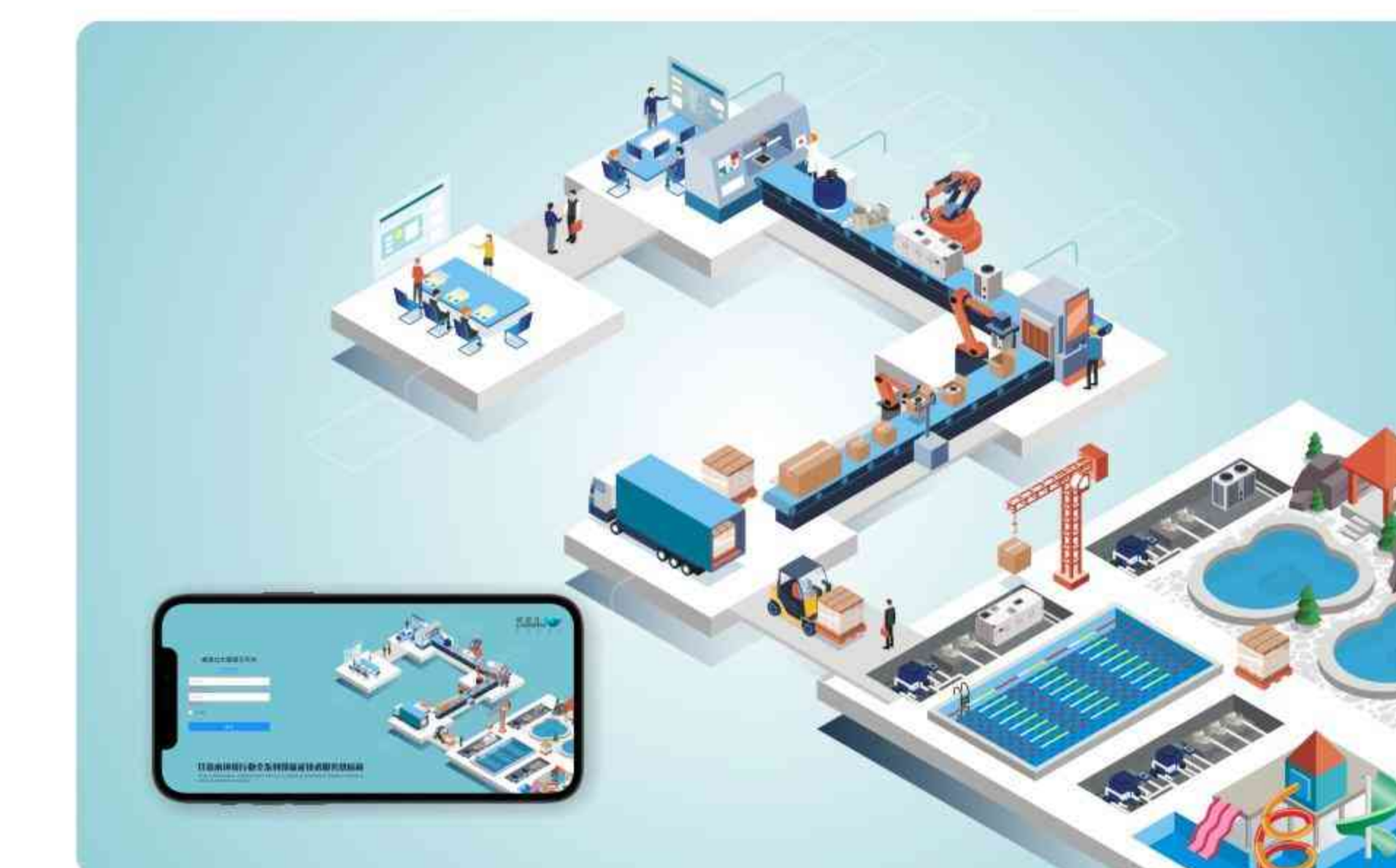
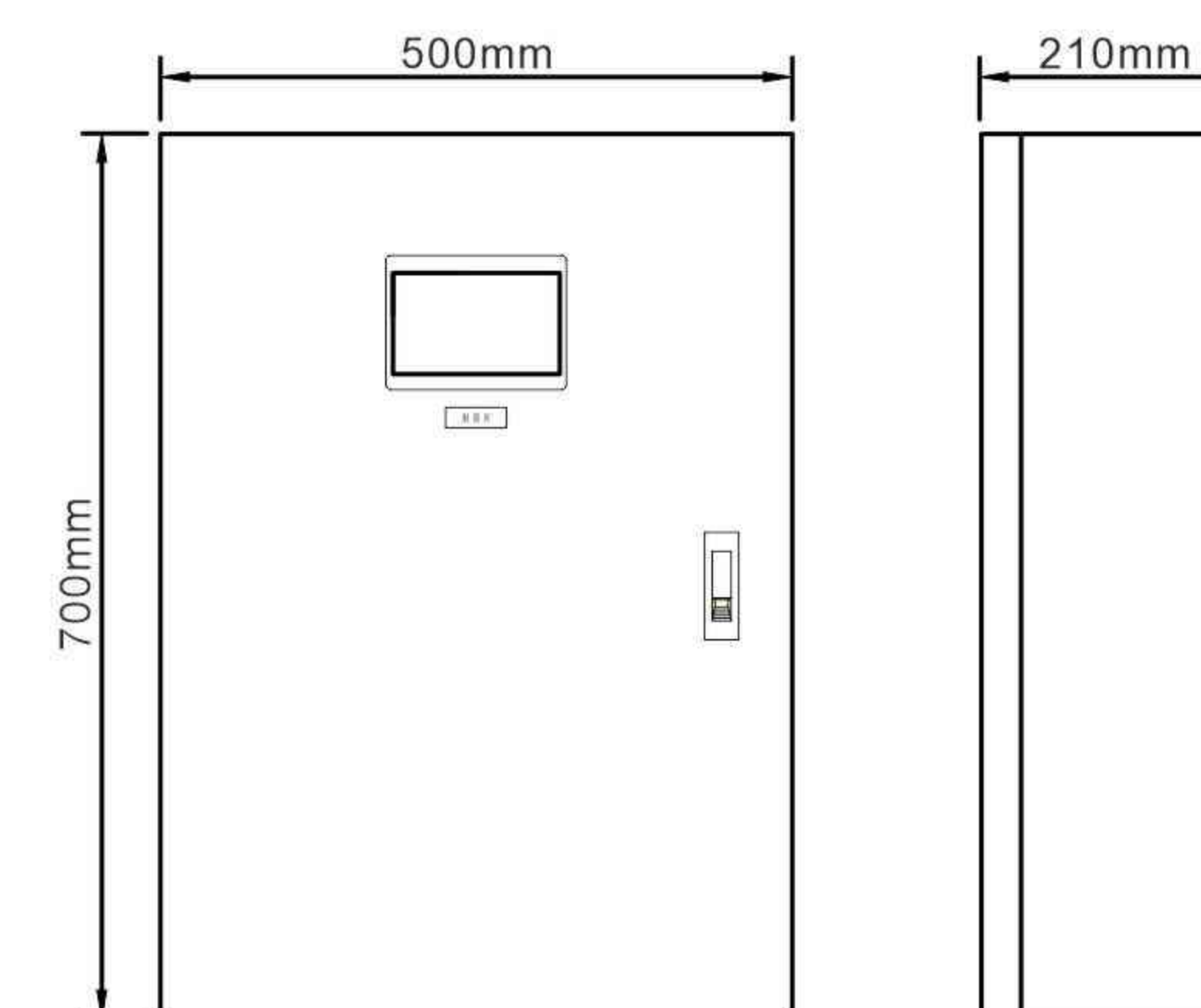
Intuitive and simple touch screen control.

WeChat Mini-Program Control

Remote device control via WeChat mini-program, anytime, anywhere.

Cloud Platform Management

Full integration with the LASWIM Smart+ Cloud Platform for remote monitoring and data analysis.



Model	Supported Equipment Power			
	4 × Circulation pumps	4 × Salt chlorinators	4 × Pool lights	4 × UV
WL-DMC-PLC11000	8.8kW	0.8kW	0.8kW	112W

Maximum Supported Power : 11kW/AC220V

